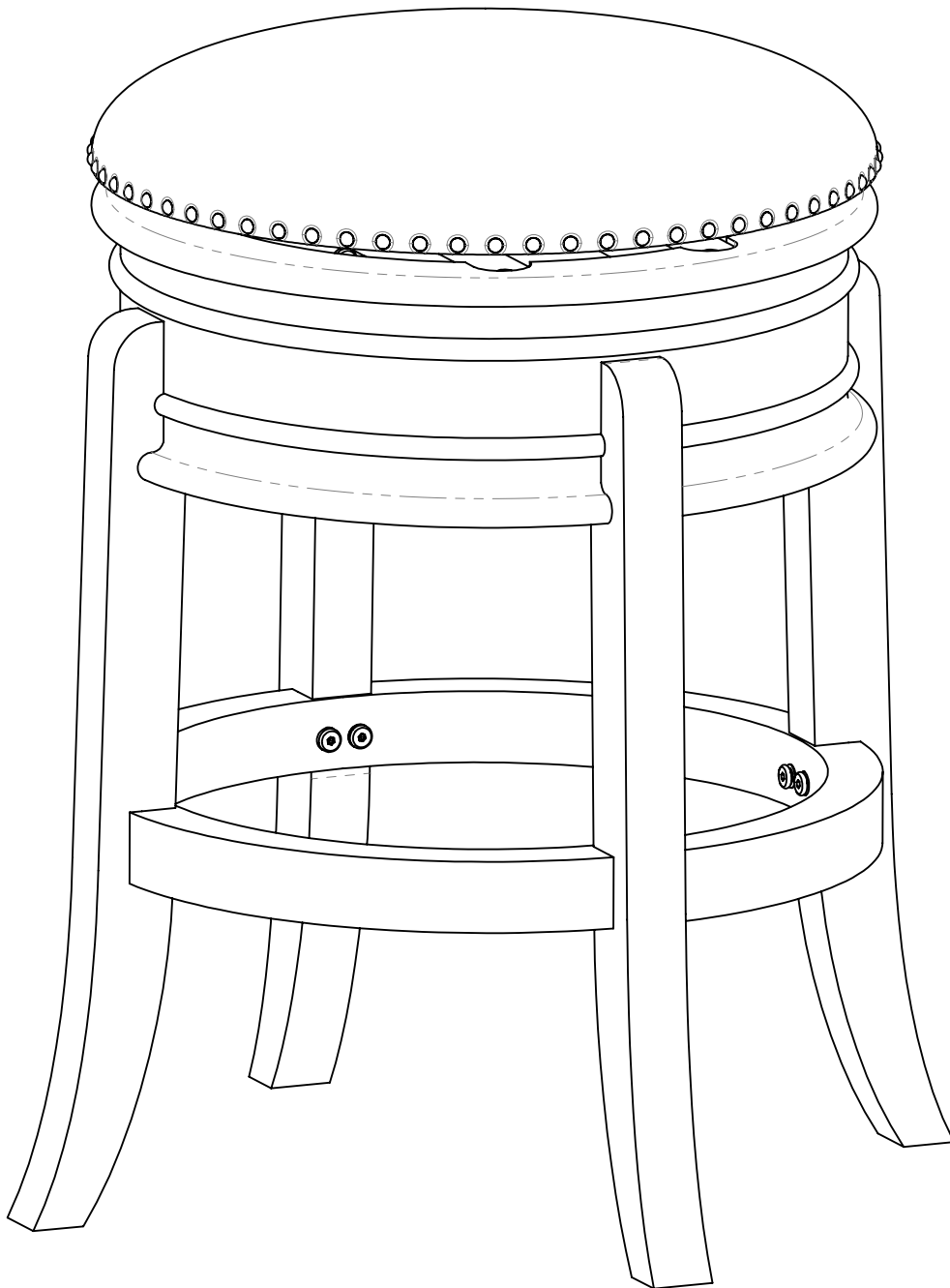
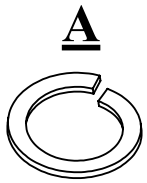


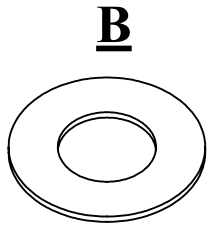
STOOL

ASSEMBLY INSTRUCTIONS

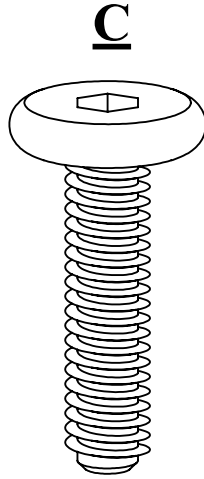




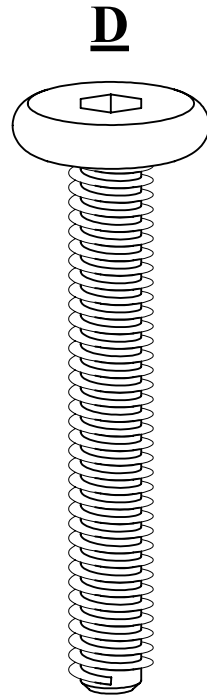
16 PCS



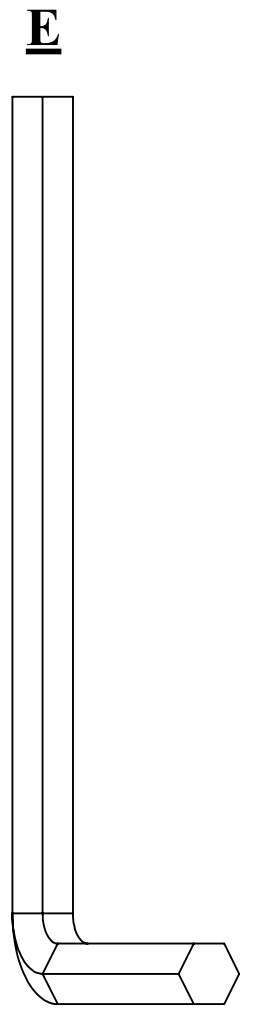
20 PCS



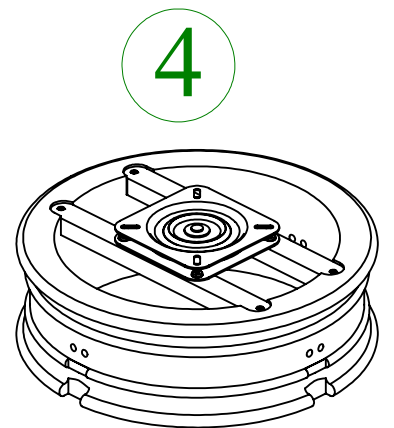
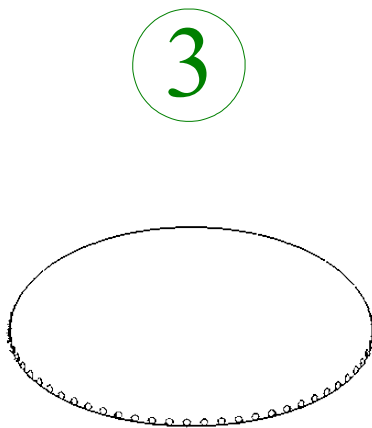
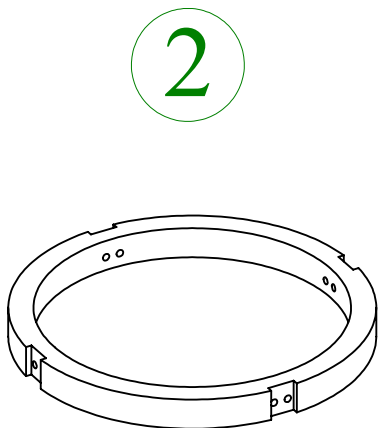
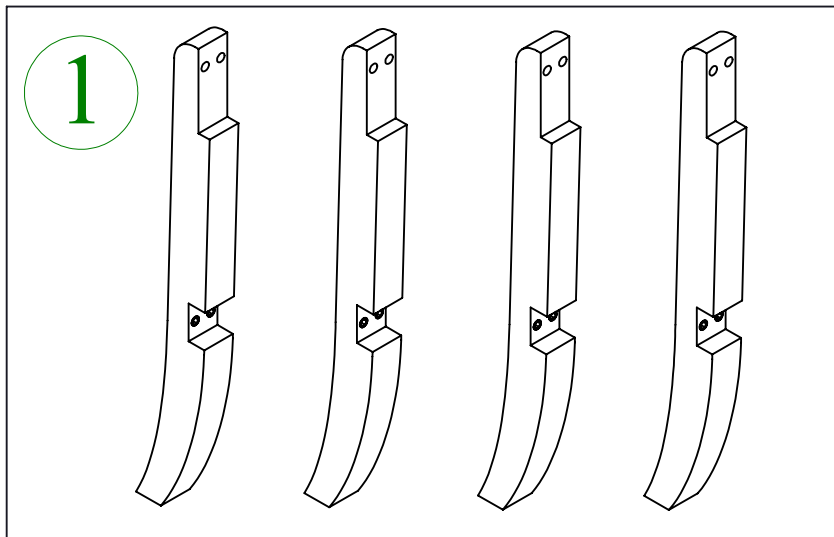
4 PCS



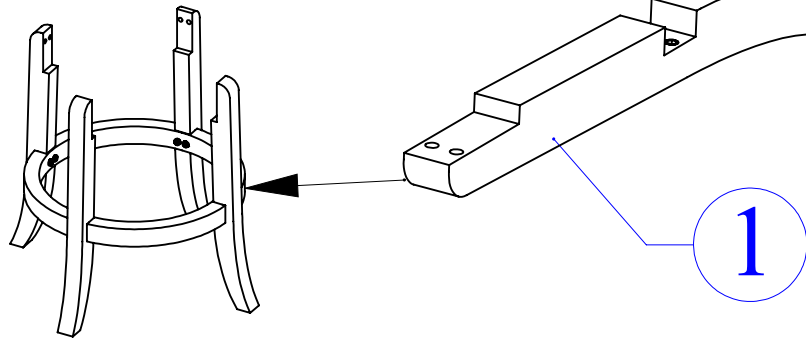
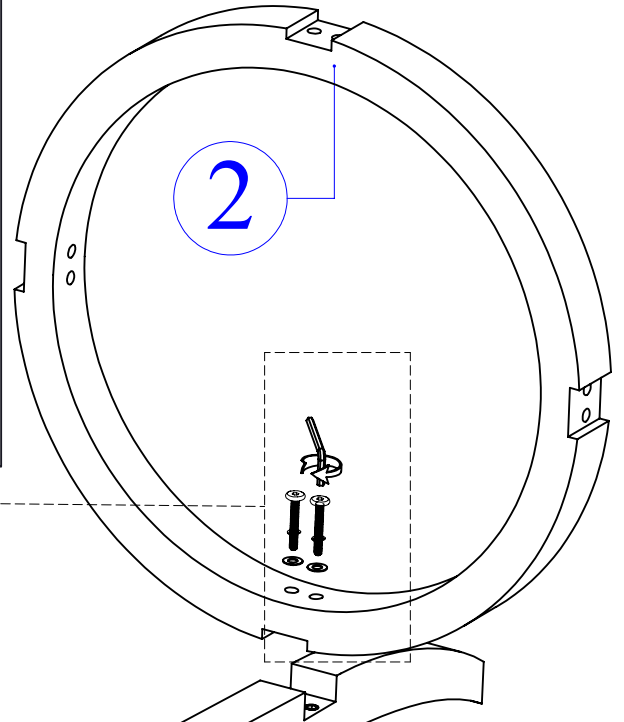
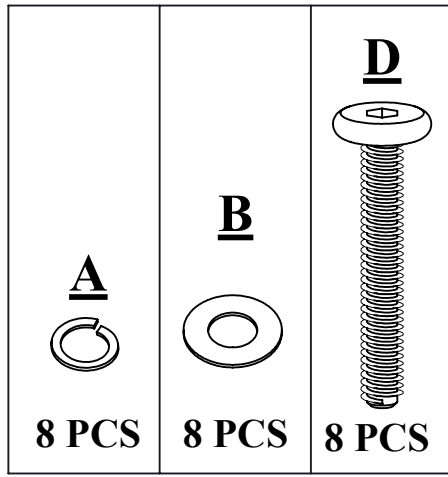
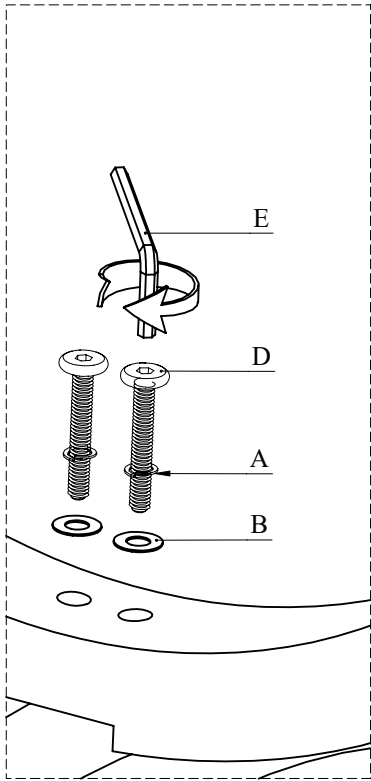
16 PCS



1 PC



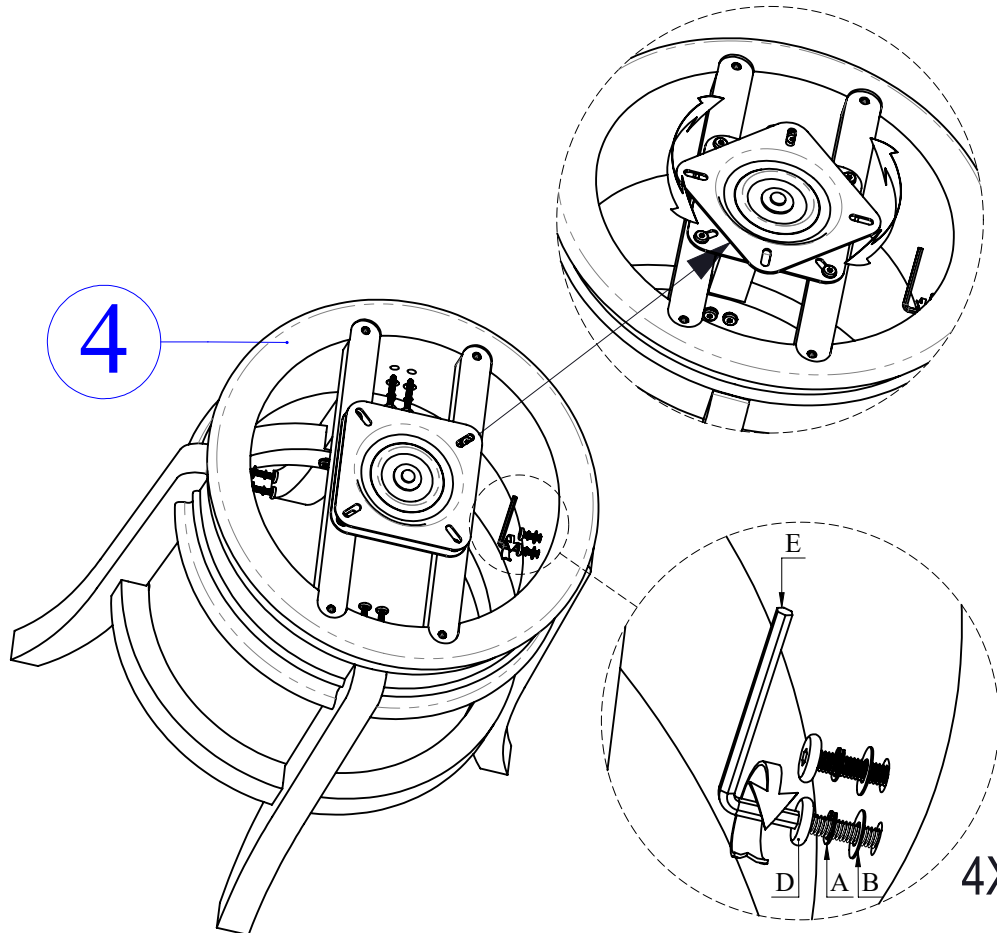
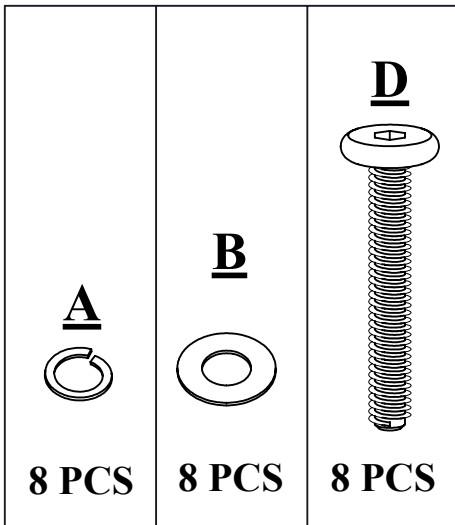
01



4X

DO NOT TIGHTEN BOLT COMPLETELY.

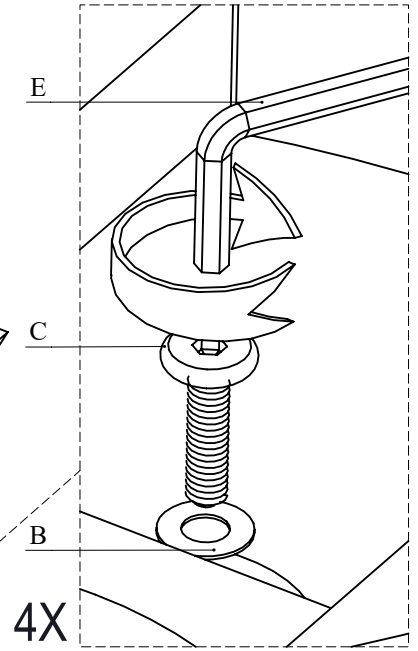
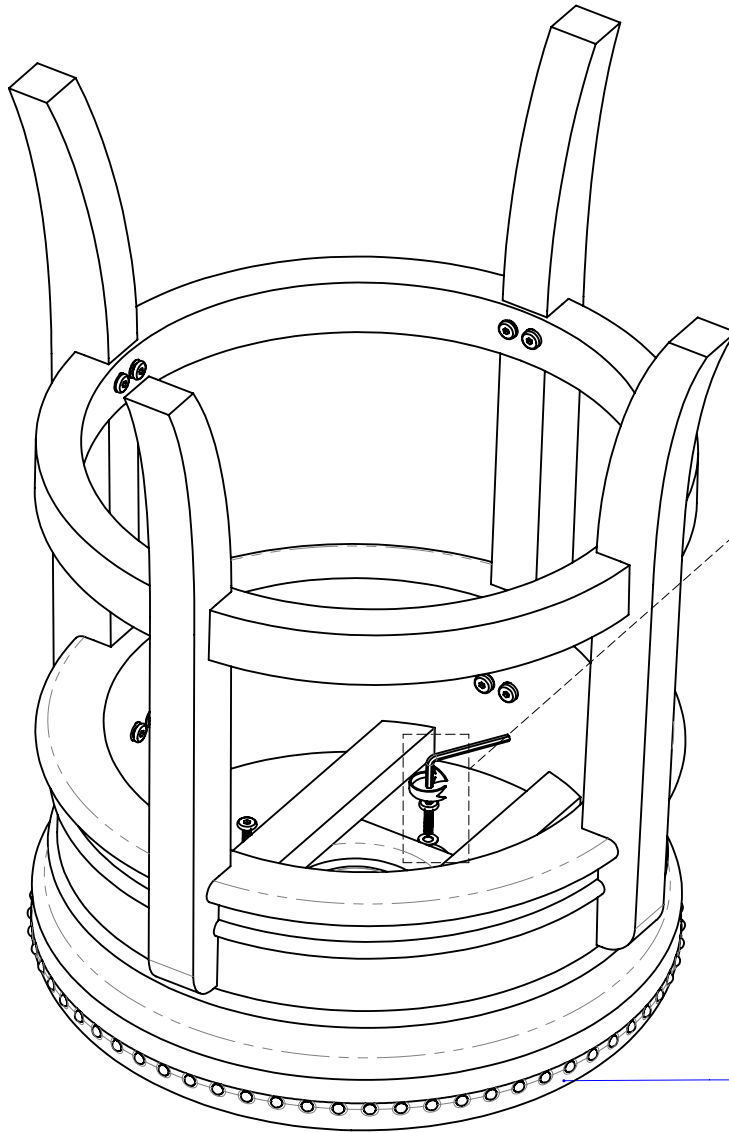
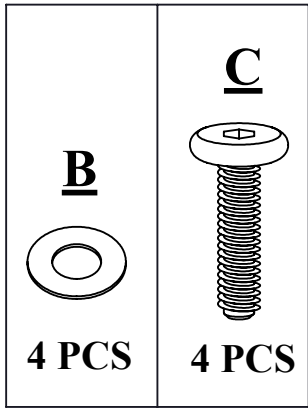
02



4X

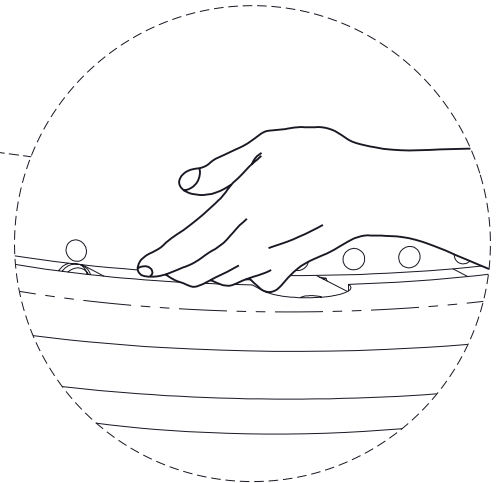
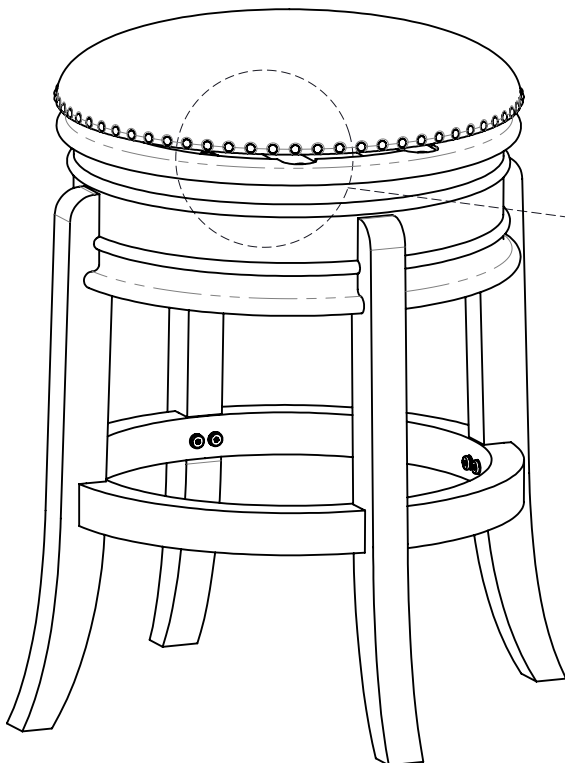
TIGHTEN BOLT COMPLETELY.

03



3

TIGHTEN BOLT COMPLETELY.



BE SURE TO CHECK ALL BOLTS ARE SECURELY TIGHTENED PRIOR USING THIS STOOL.