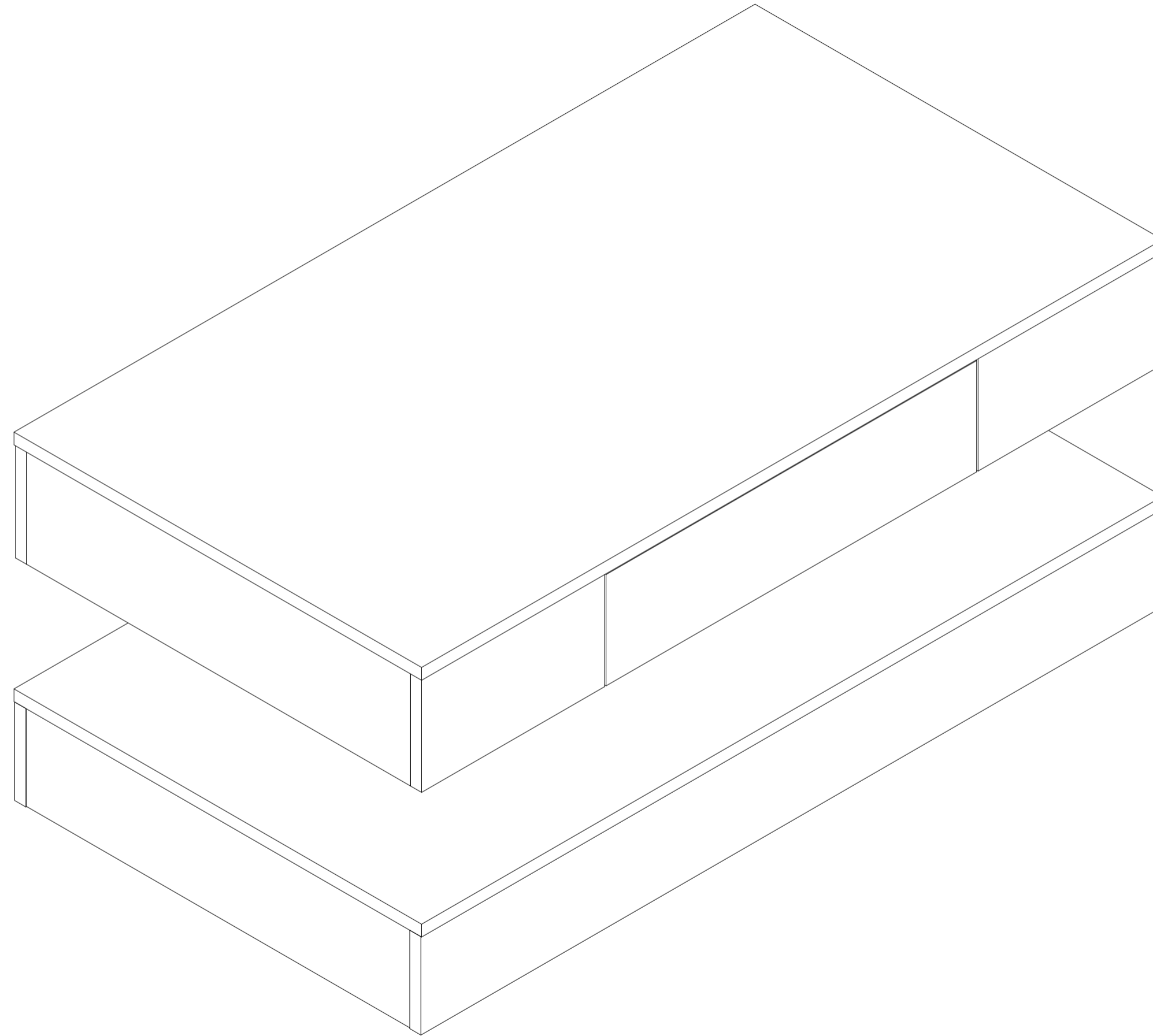
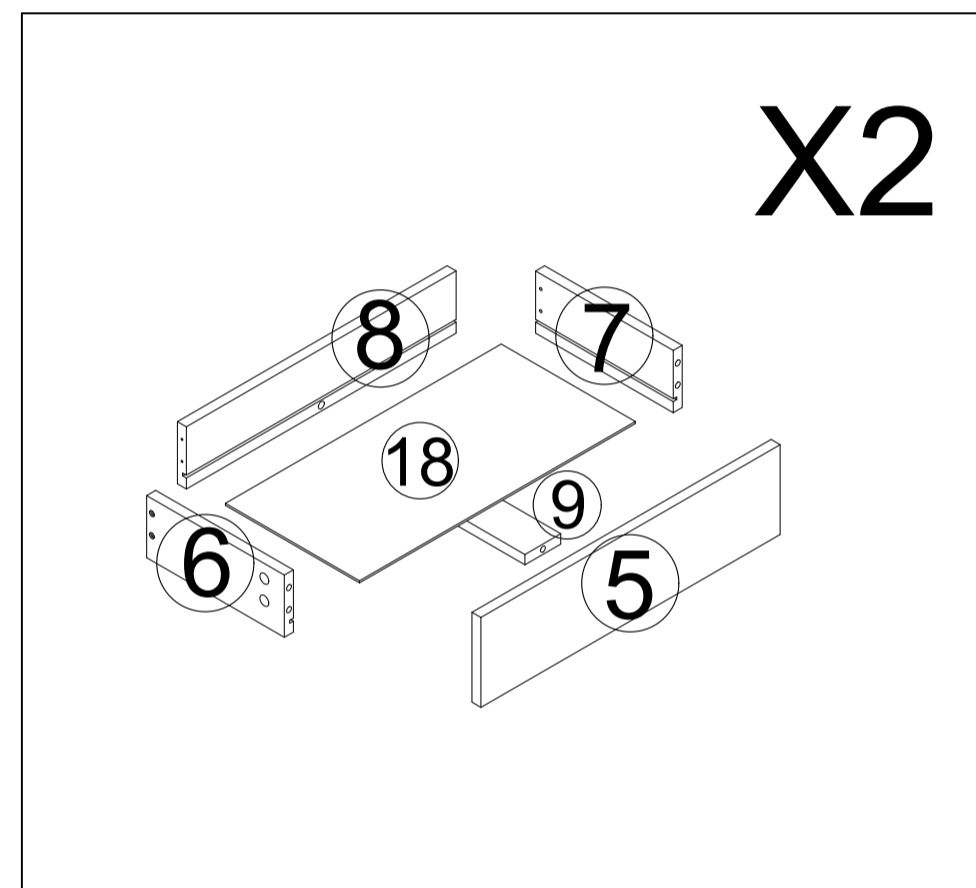
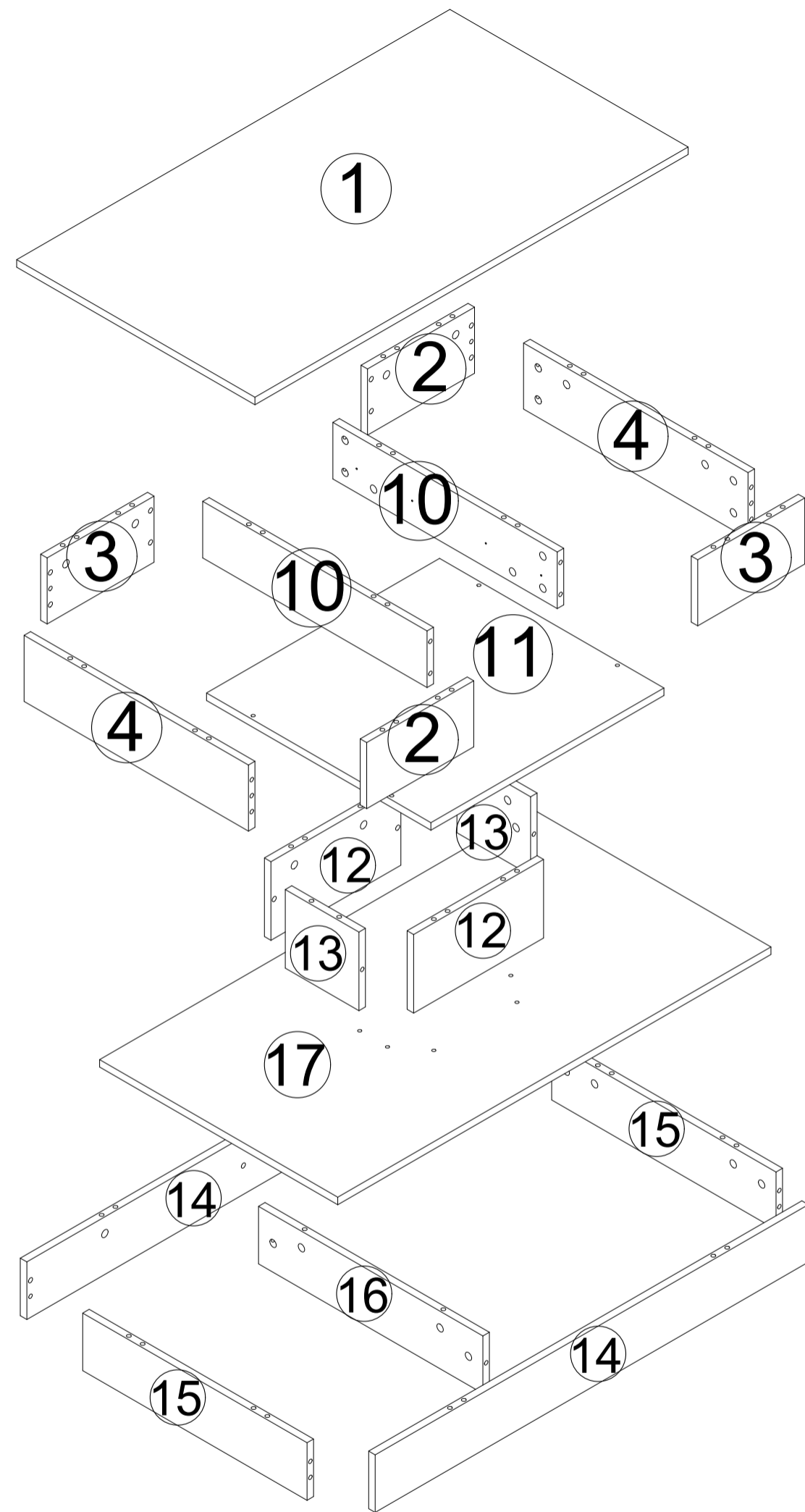
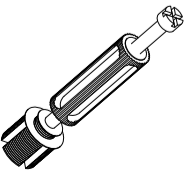
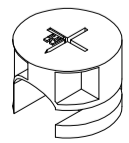
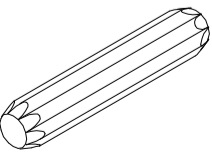

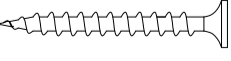
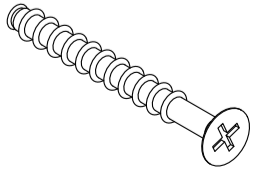
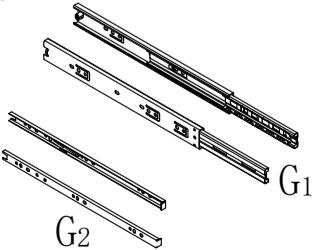
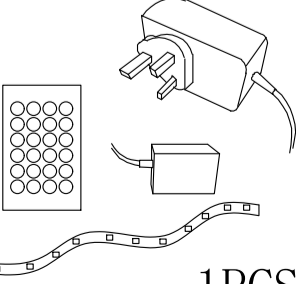


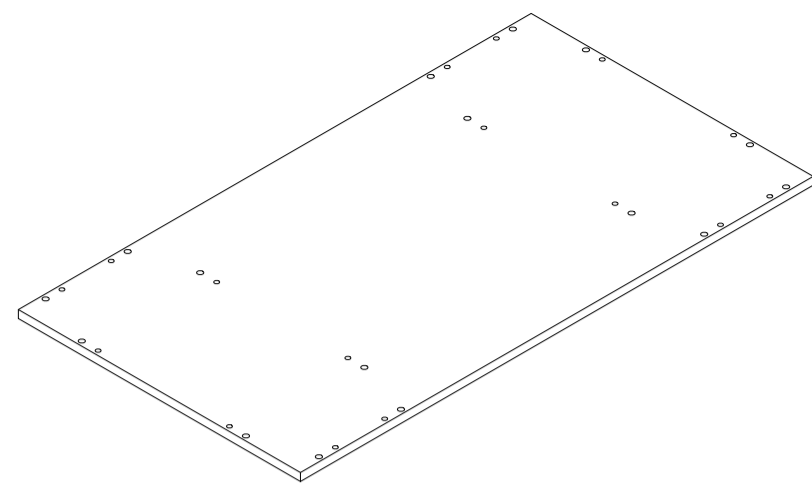
# Installation & Assembly





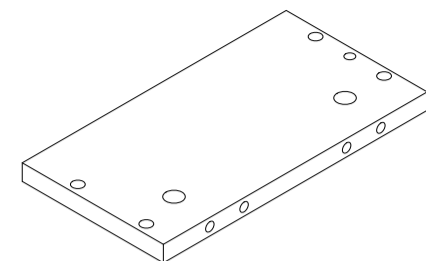
<p><b>A</b></p>  <p>72PCS</p>	<p><b>B</b></p>  <p>72PCS</p>	<p><b>C</b>      8*40</p>  <p>36PCS</p>	<p><b>D</b>      3.5*14</p>  <p>16PCS</p>	<p><b>E</b>      3.5*35</p>  <p>8PCS</p>	<p><b>F</b>      7*50</p>  <p>12PCS</p>	<p><b>G</b>      250mm</p>  <p>G1 G2</p> <p>2PCS</p>	<p><b>H</b></p>  <p>1PCS</p>
--	--	--	--	---	--	---	---

1



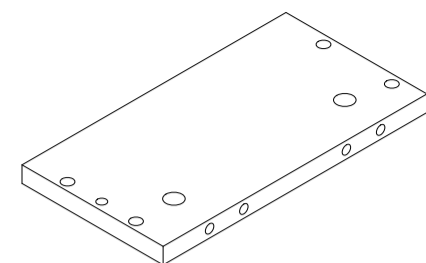
1000\*550 1PS

2



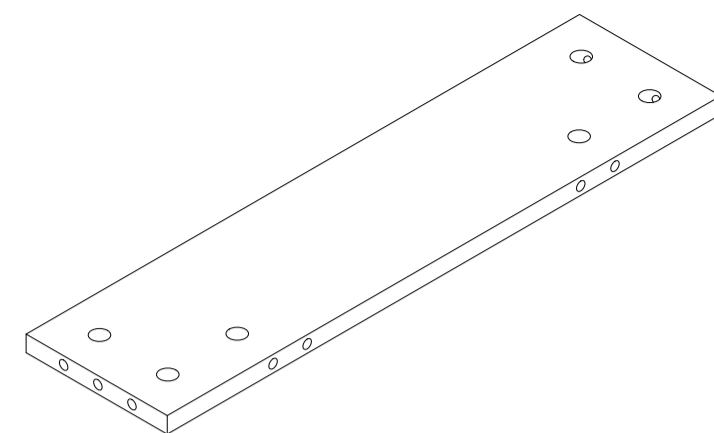
248\*132 2PS

3



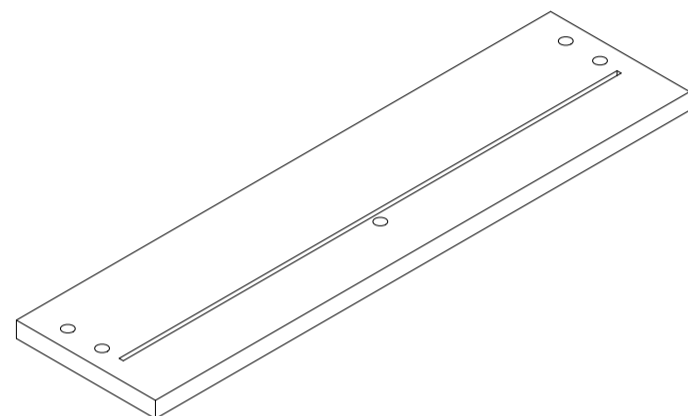
248\*132 2PS

4



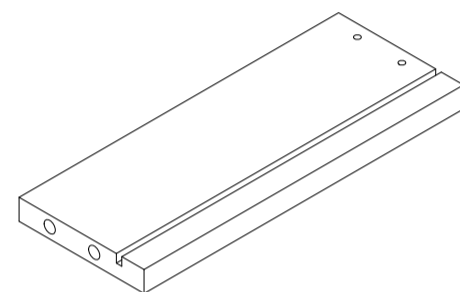
518\*132 2PS

5



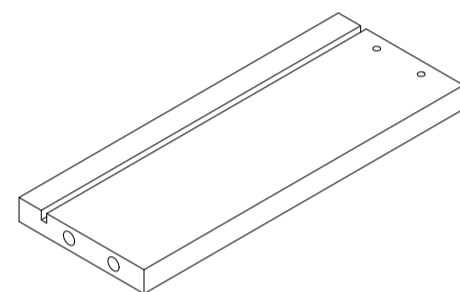
500\*130 2PS

6



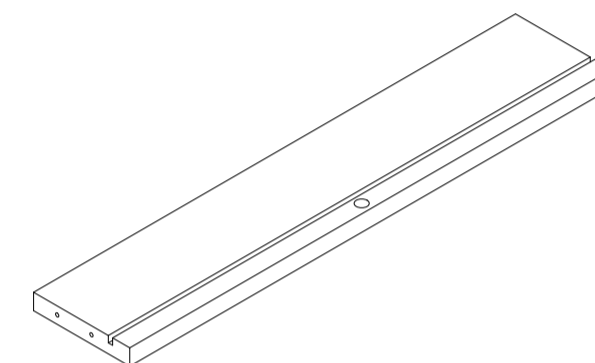
230\*90 2PS

7



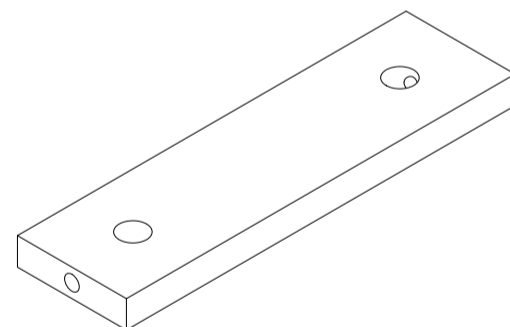
230\*90 2PS

8



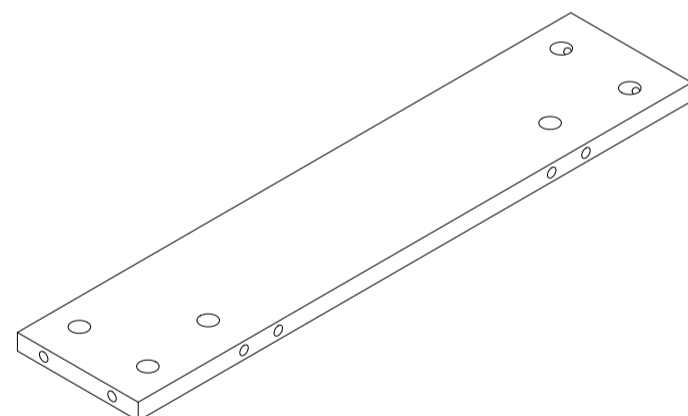
451\*90 2PS

9



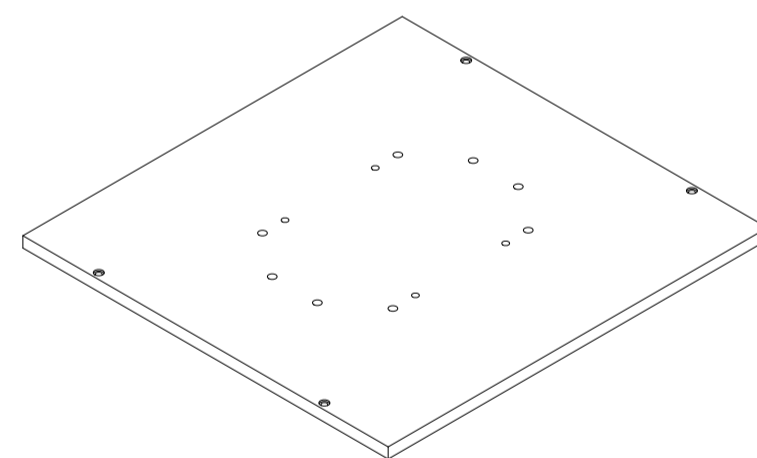
214\*60 2PS

10



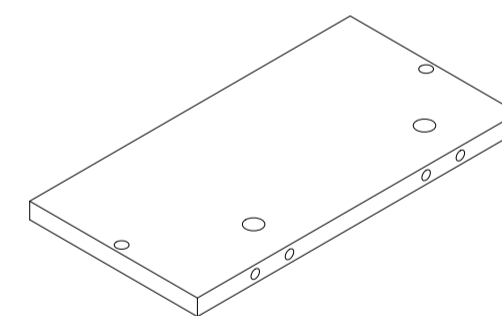
518\*113 2PS

11



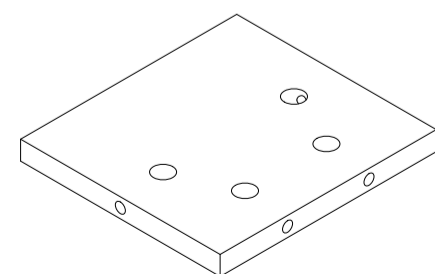
538\*518 1PS

12



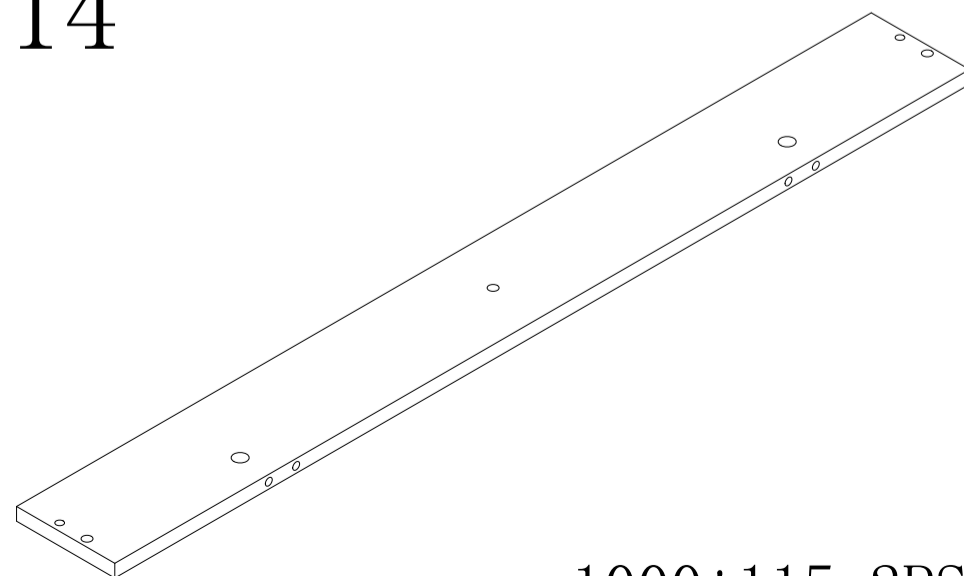
300\*157 2PS

13



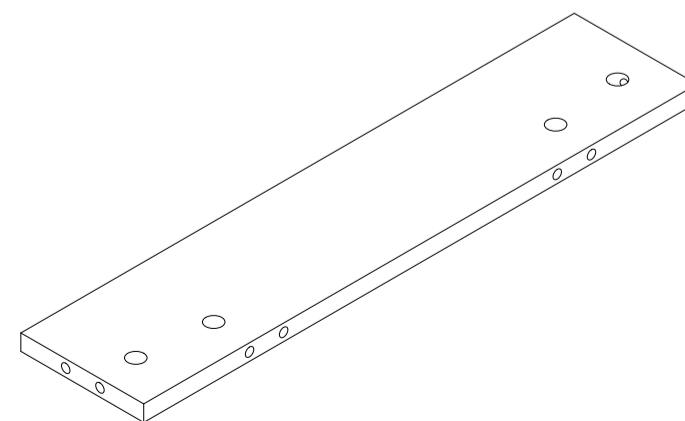
170\*157 2PS

14



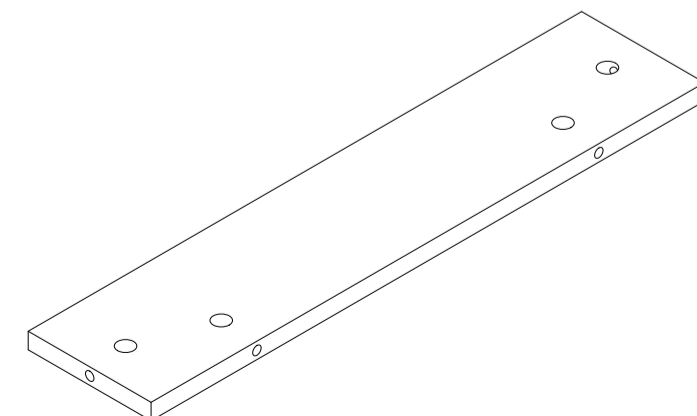
1000\*115 2PS

15



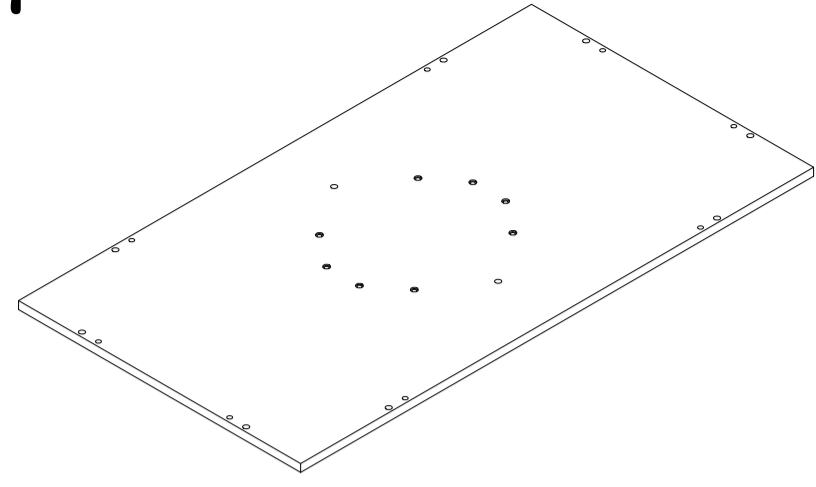
518\*115 2PS

16



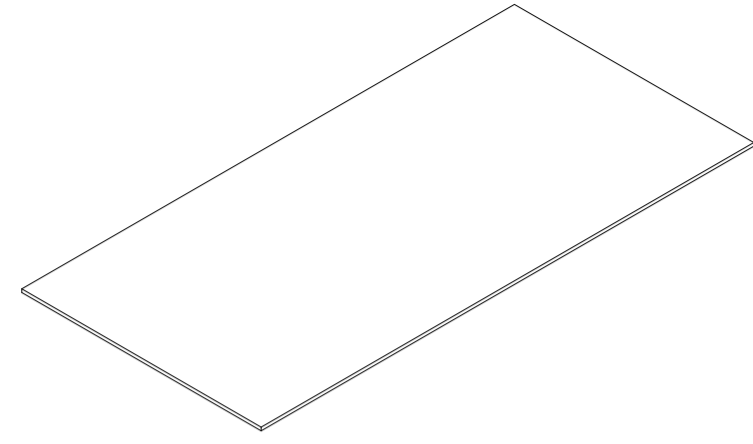
518\*115 1PS

17



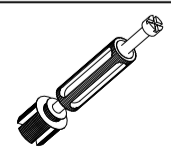
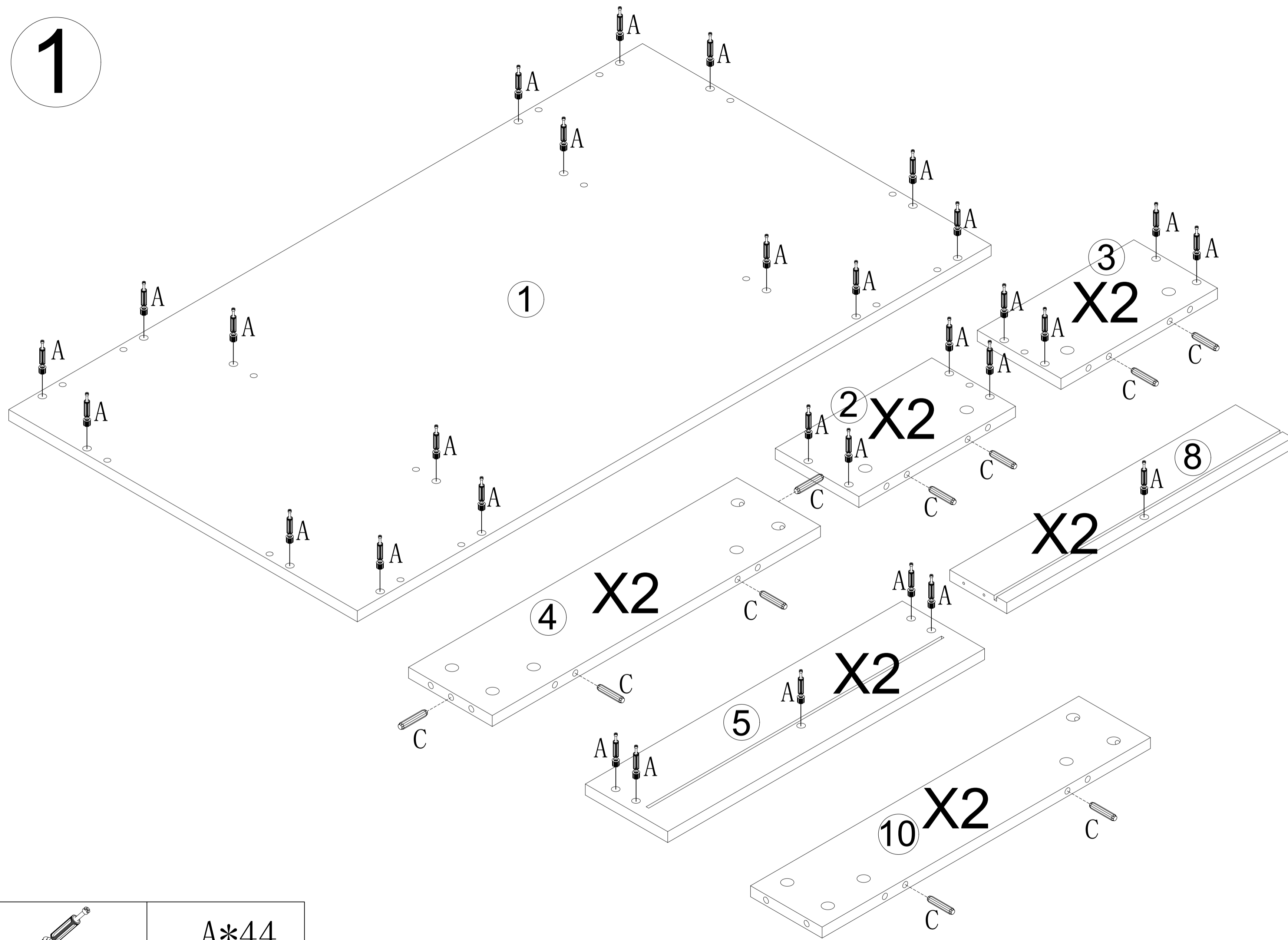
1000\*550 1PS

18

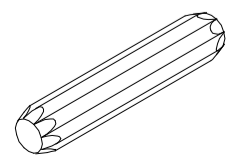


461\*224 2PS

1

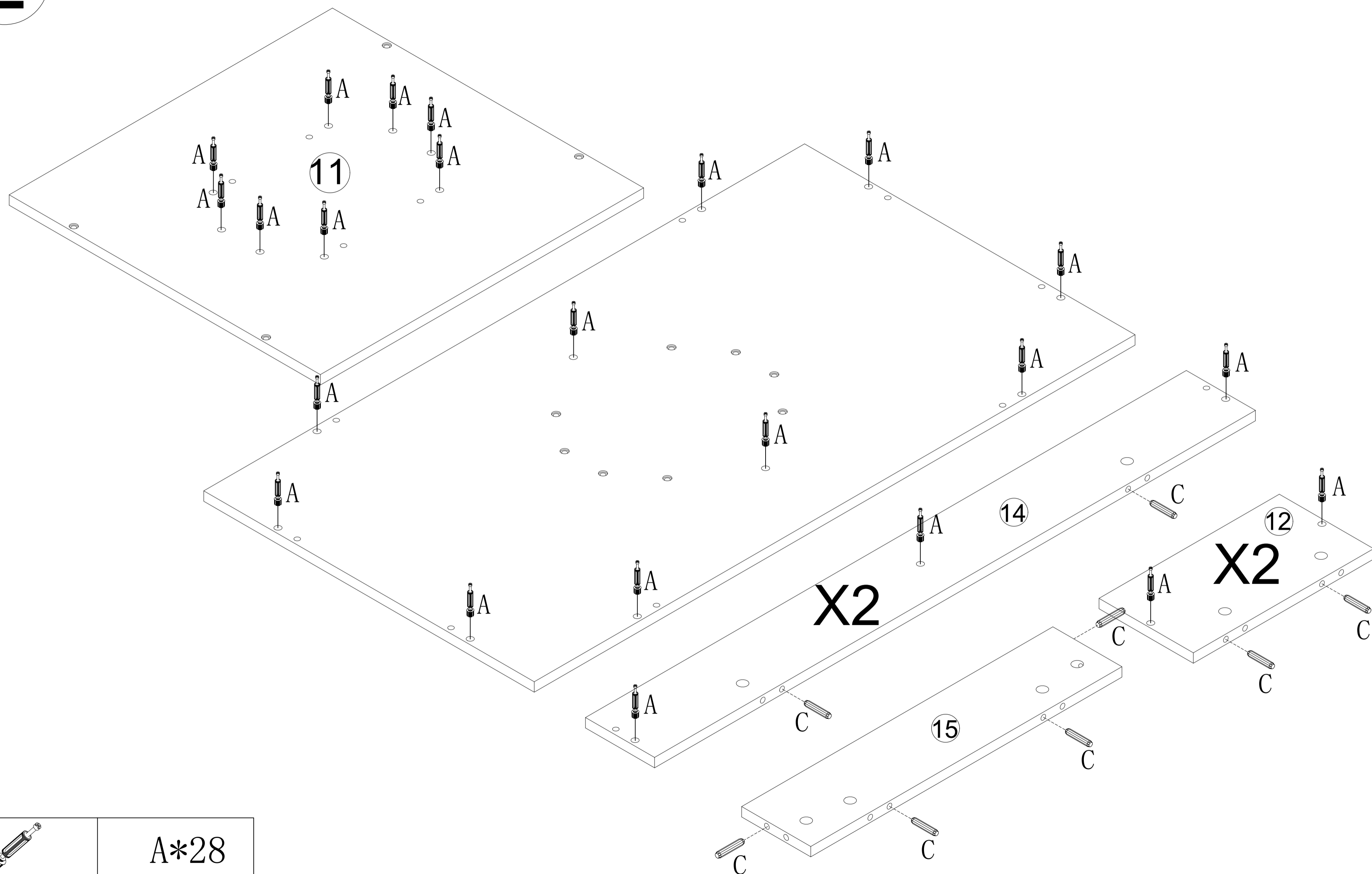


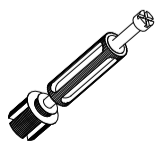
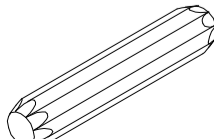
A\*44



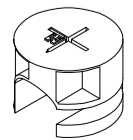
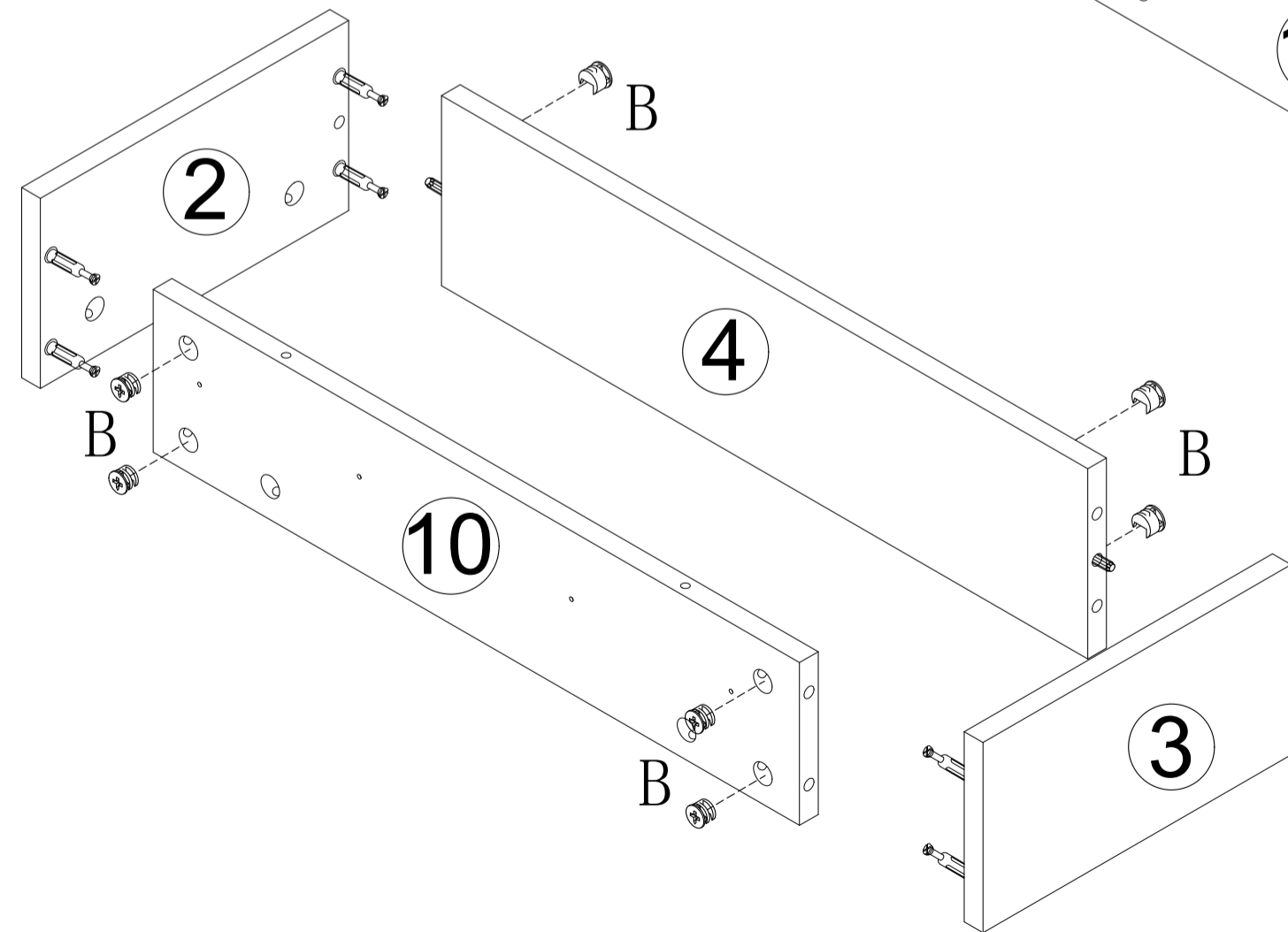
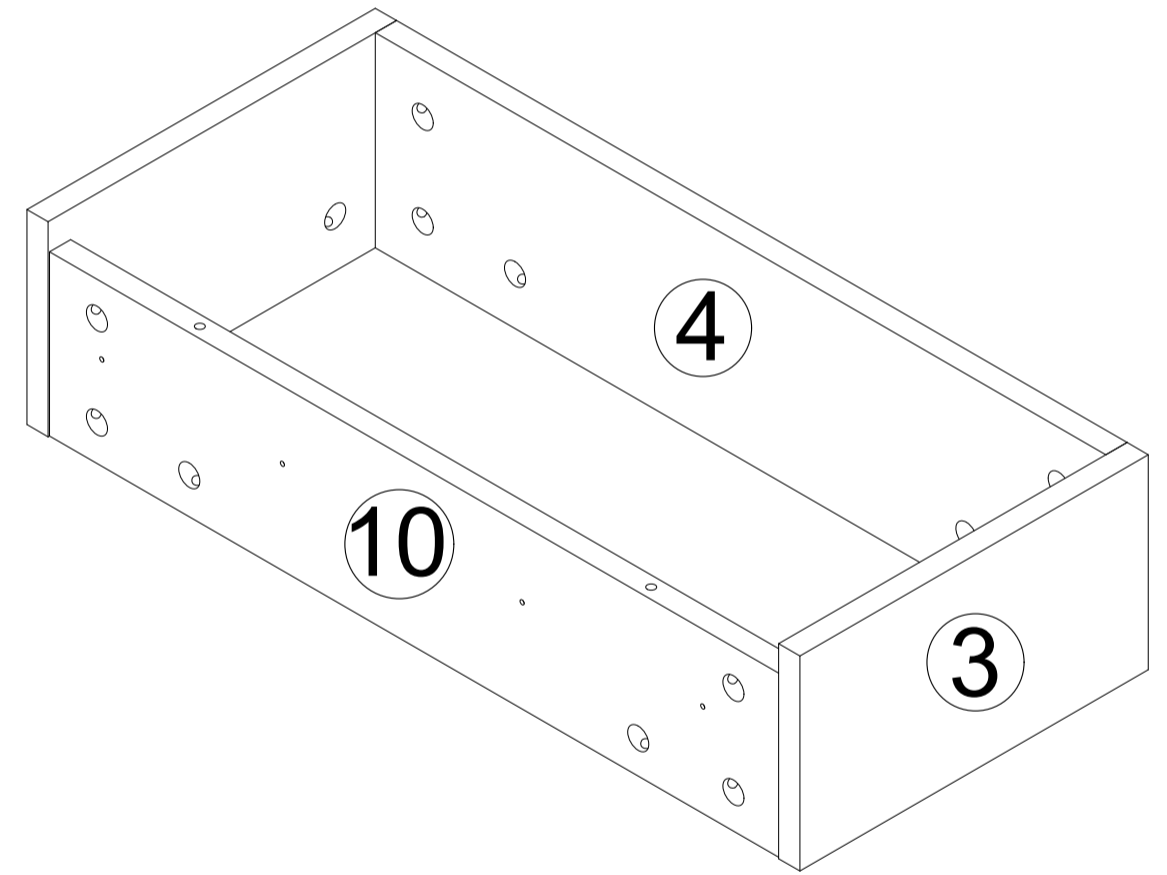
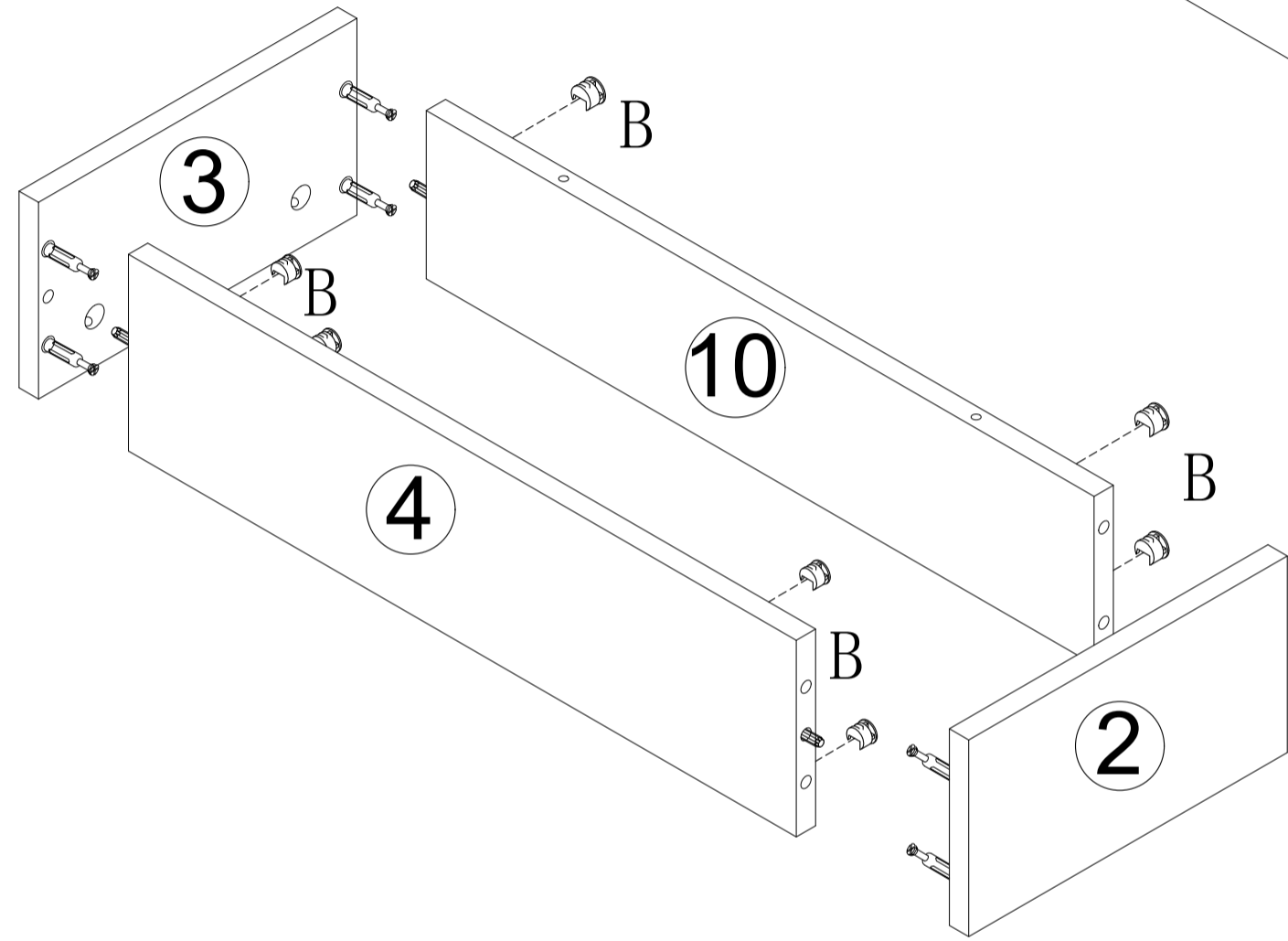
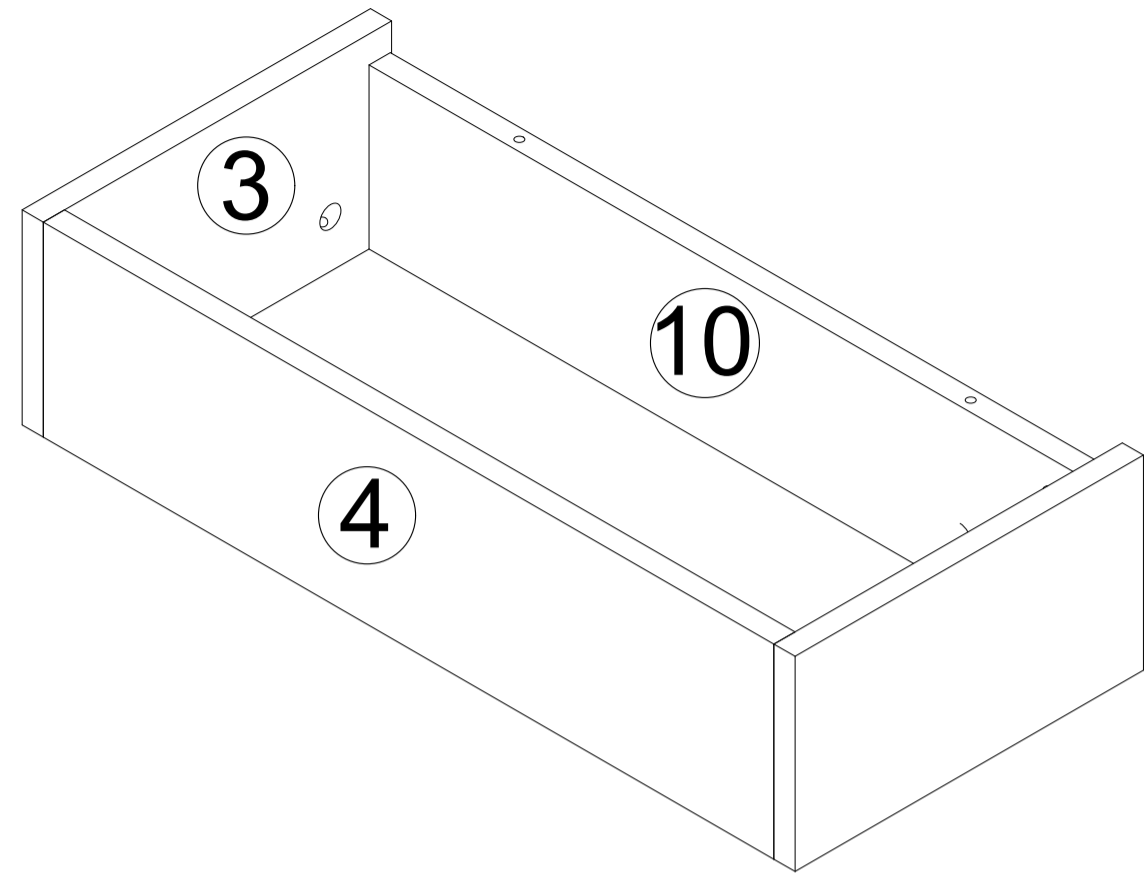
C\*20

2



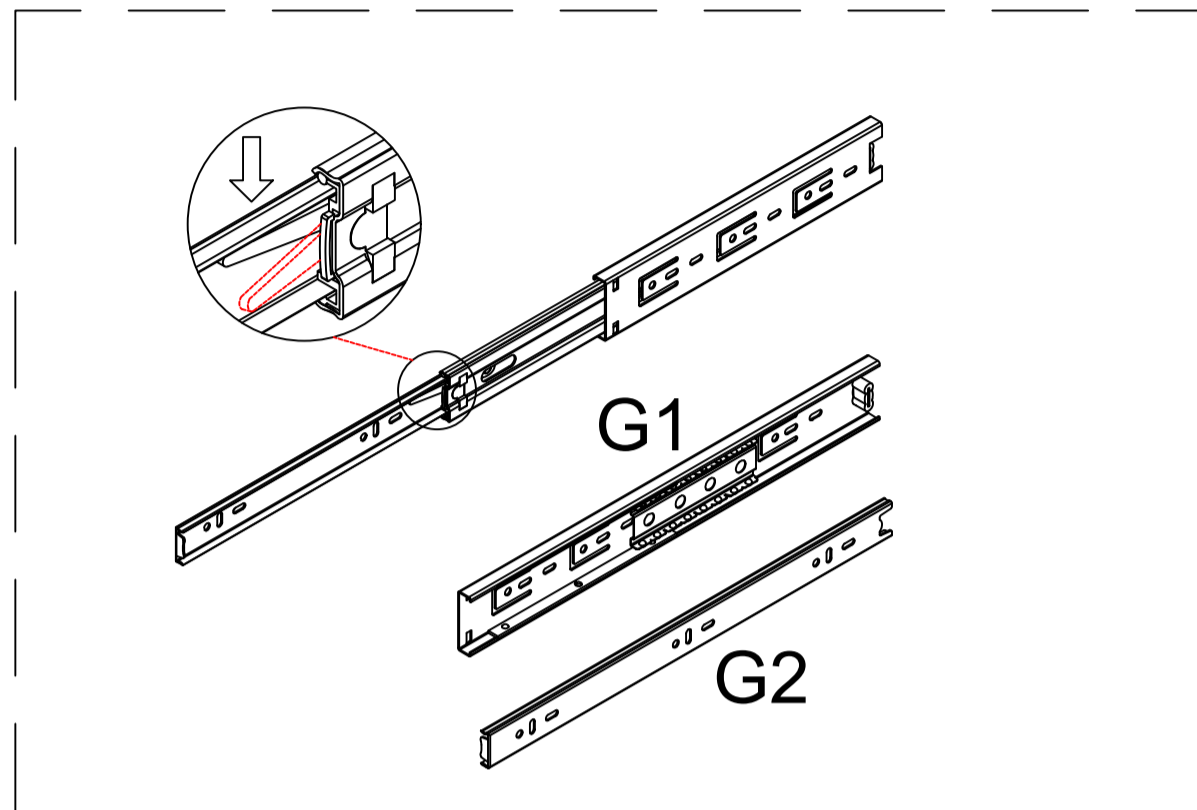
	A*28
	C*16

3

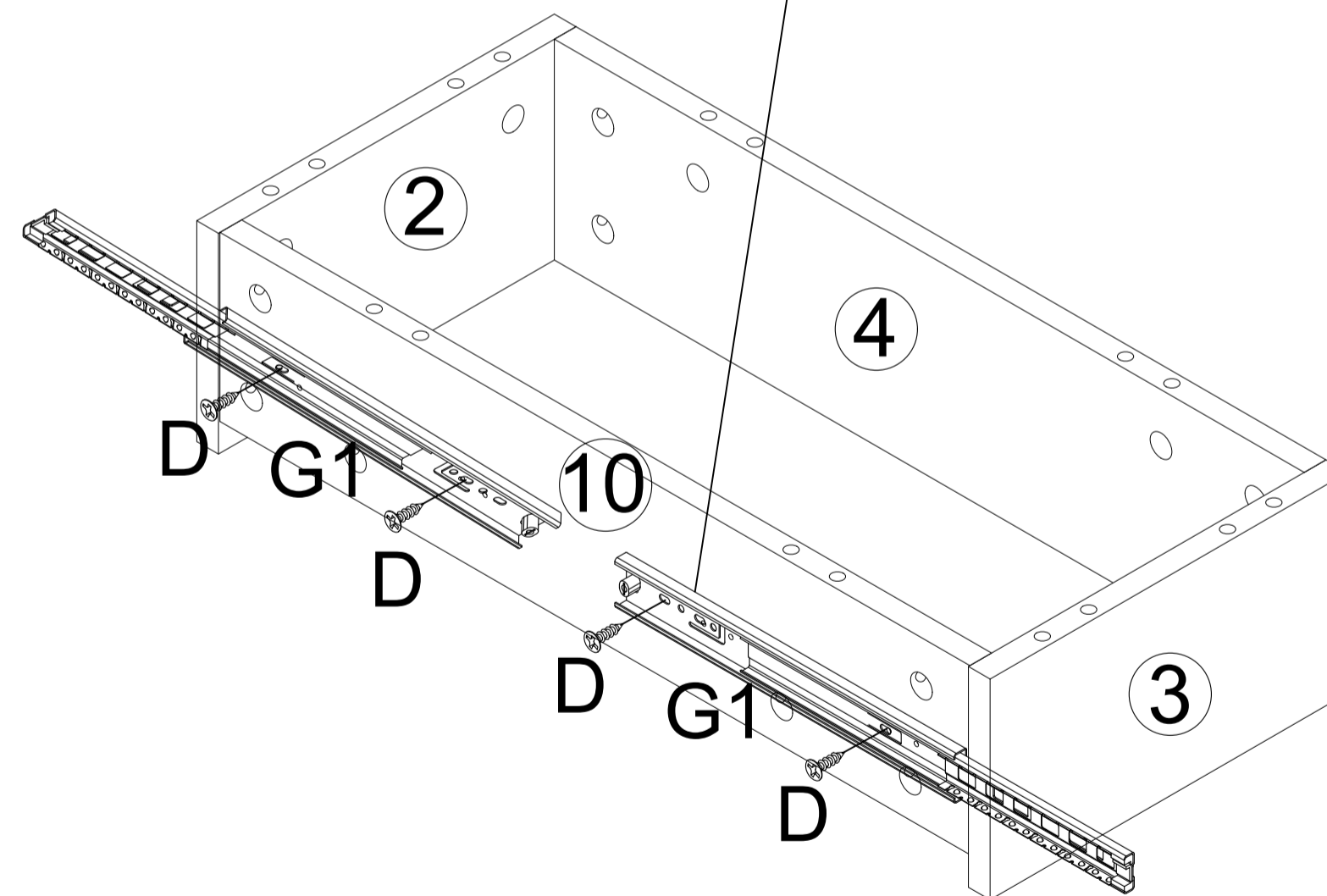
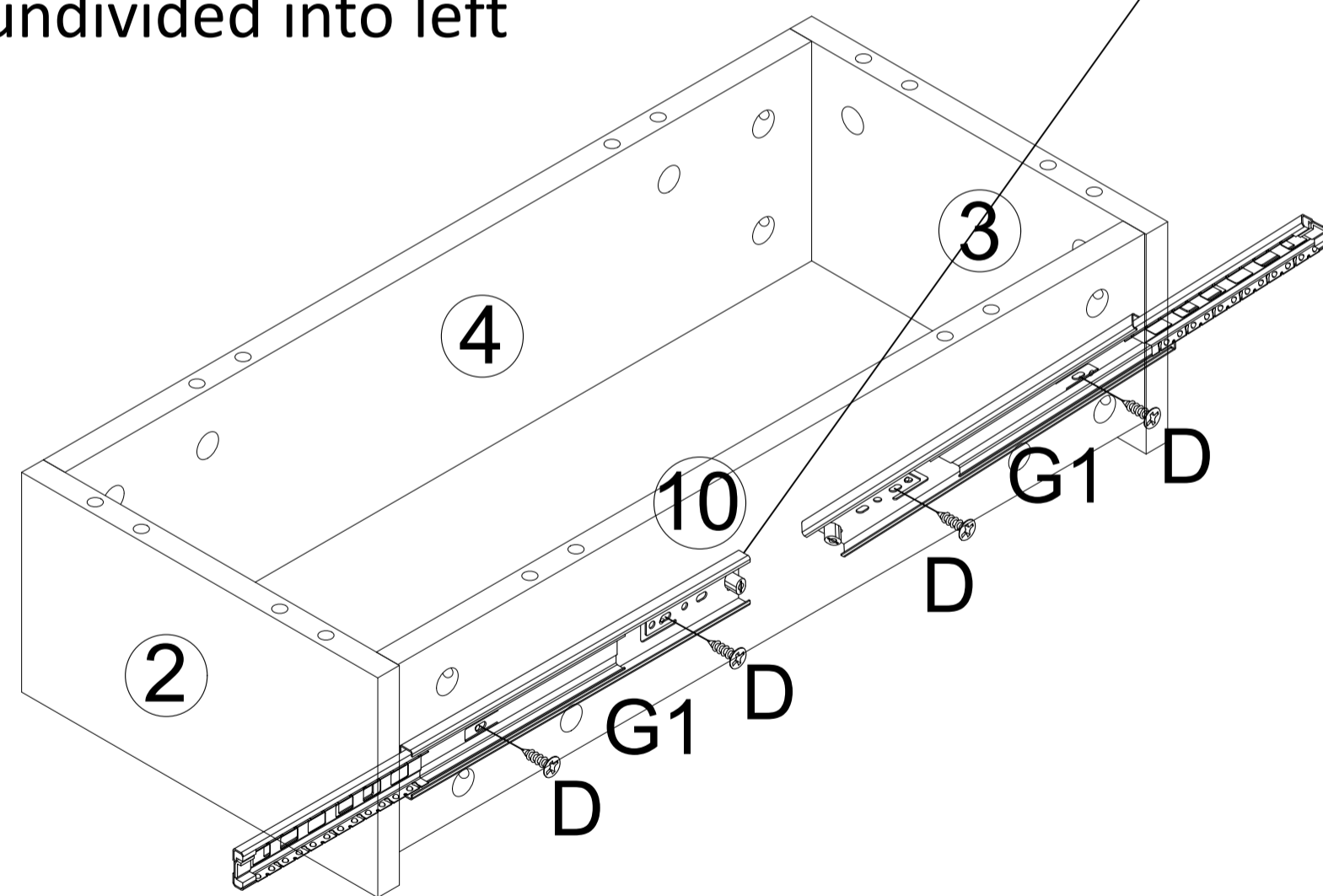
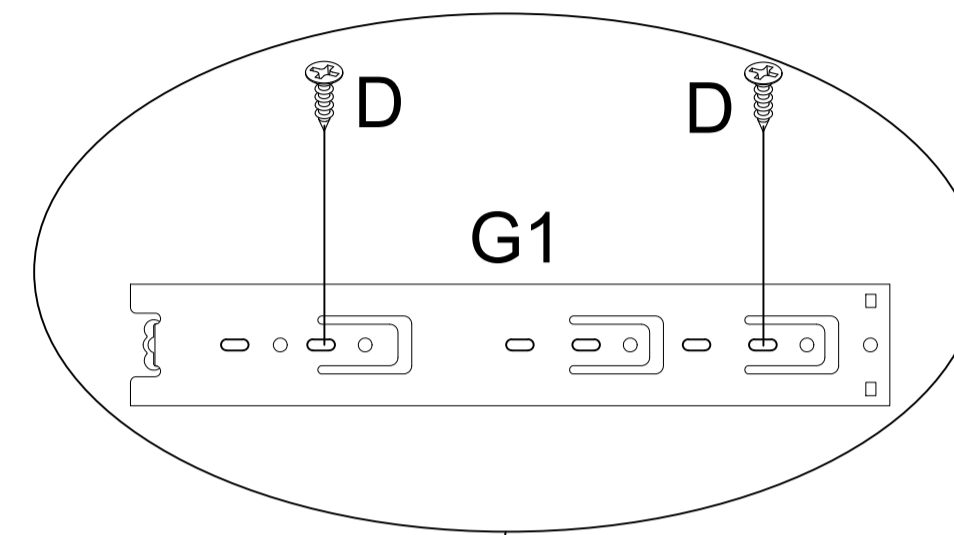
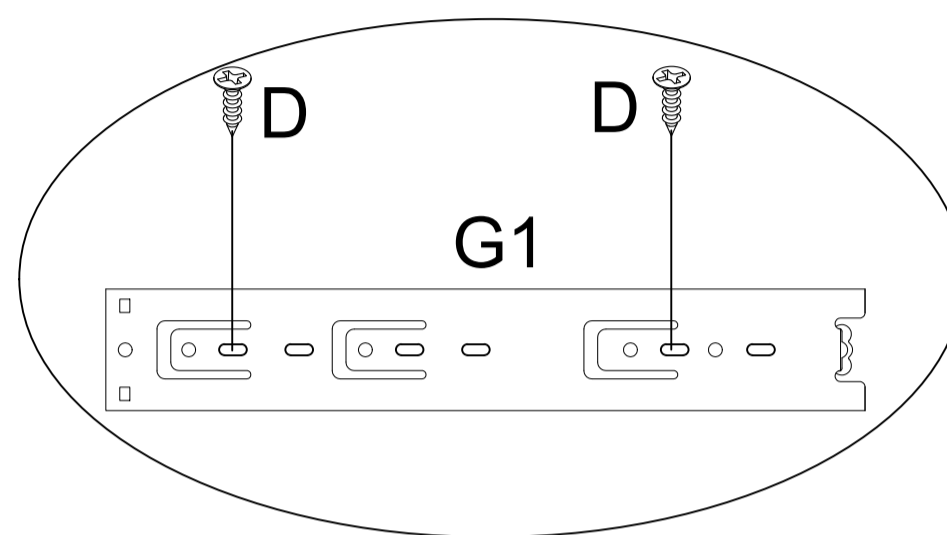



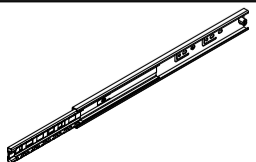
B\*16

4

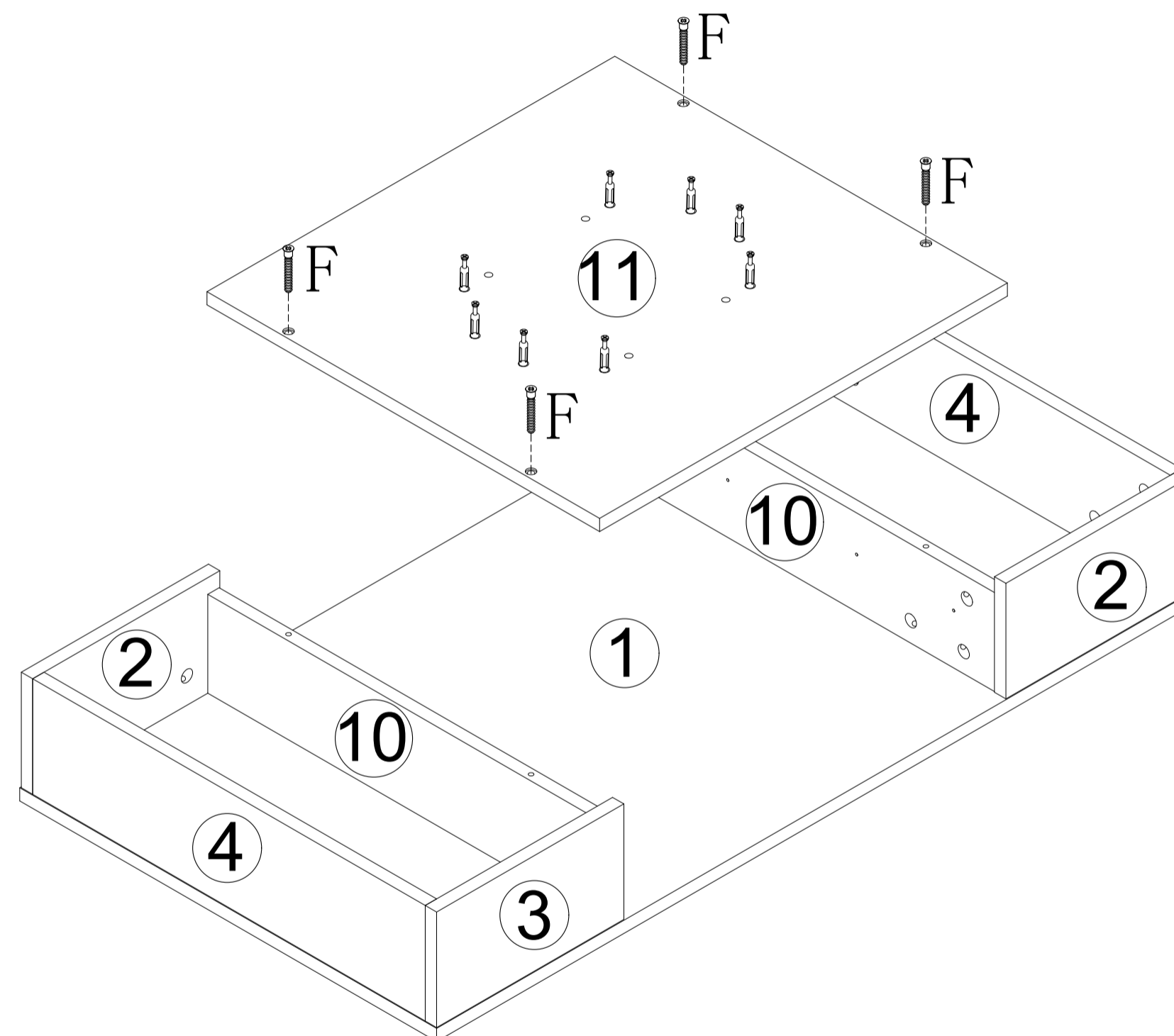
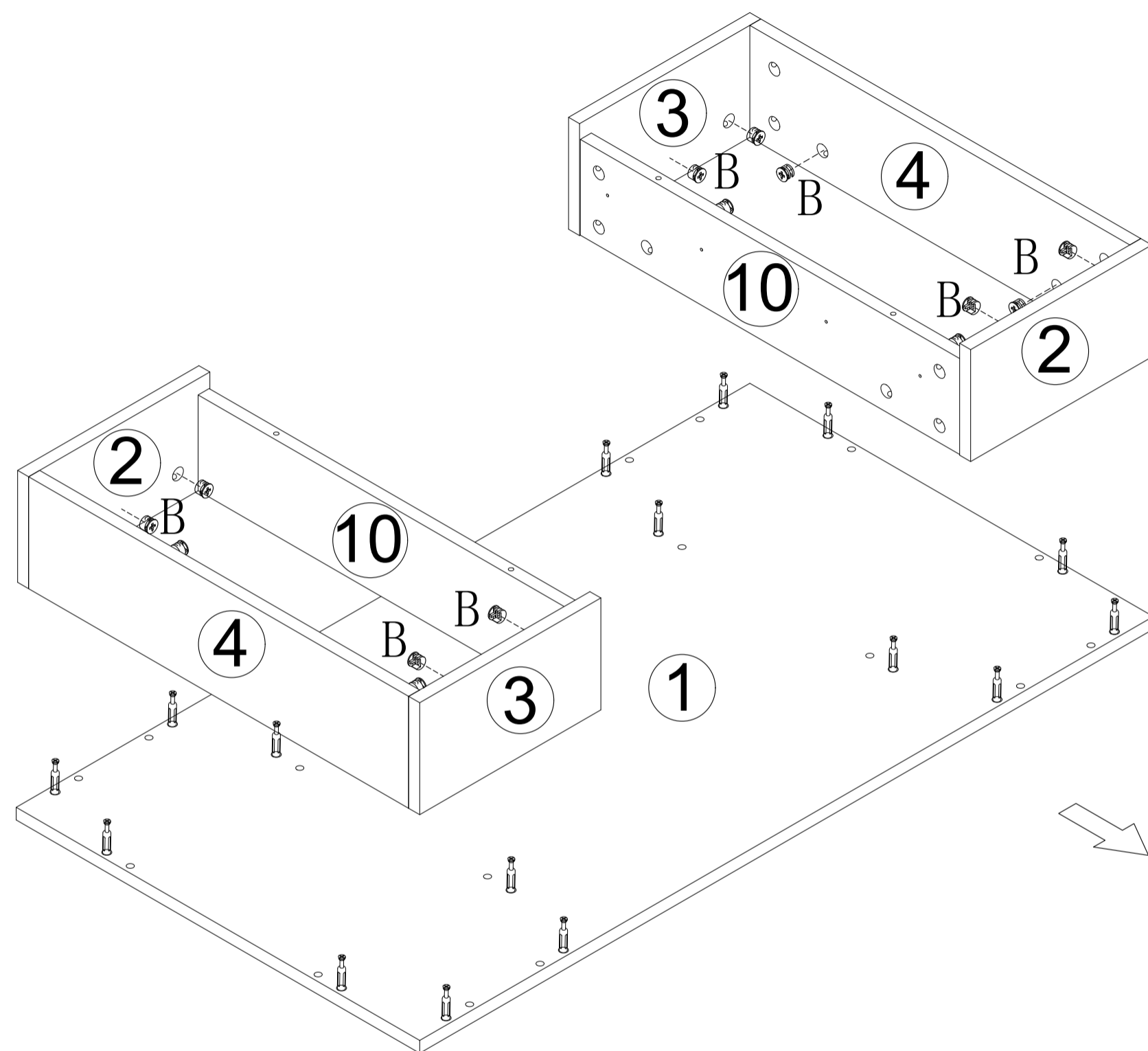



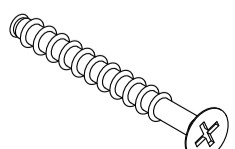
The guide rail is undivided into left and right sides.



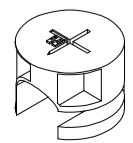
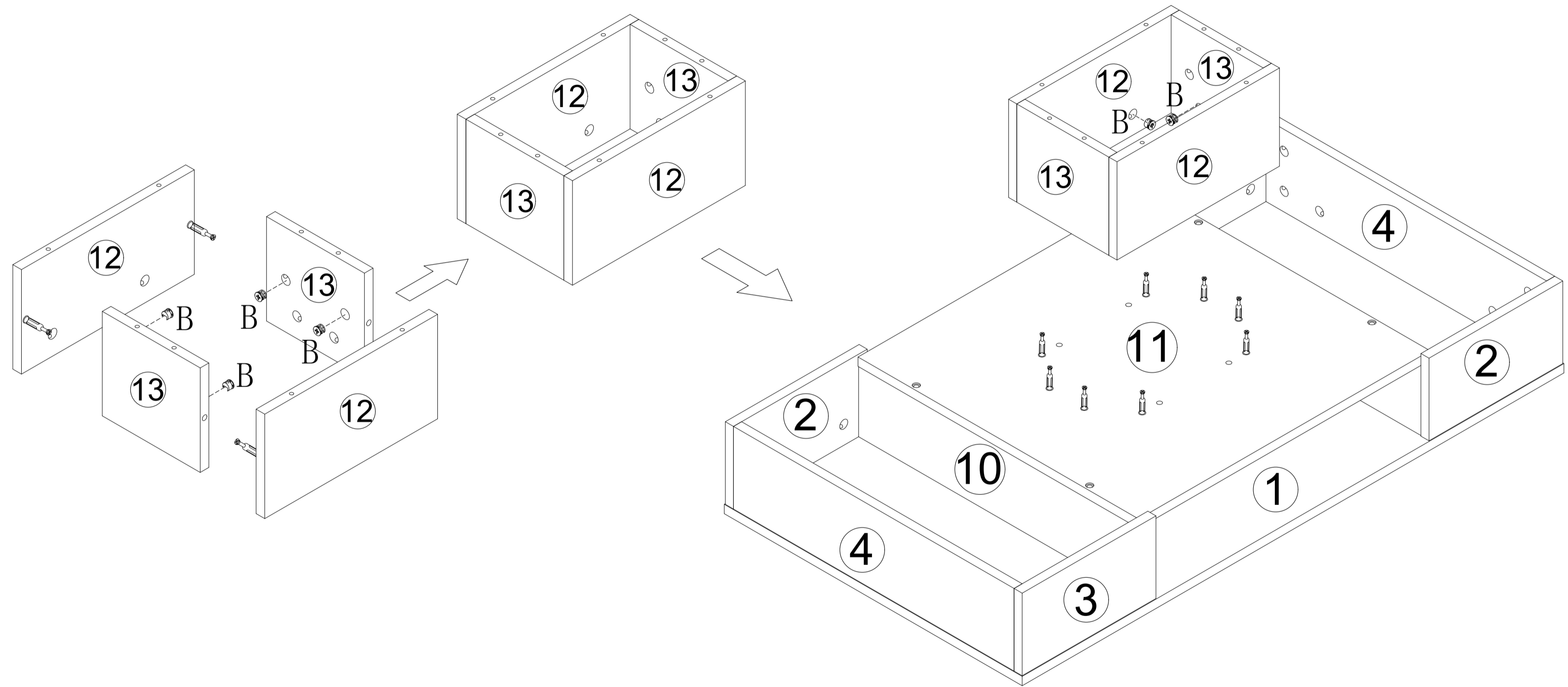
	D*8
	G1*4

5



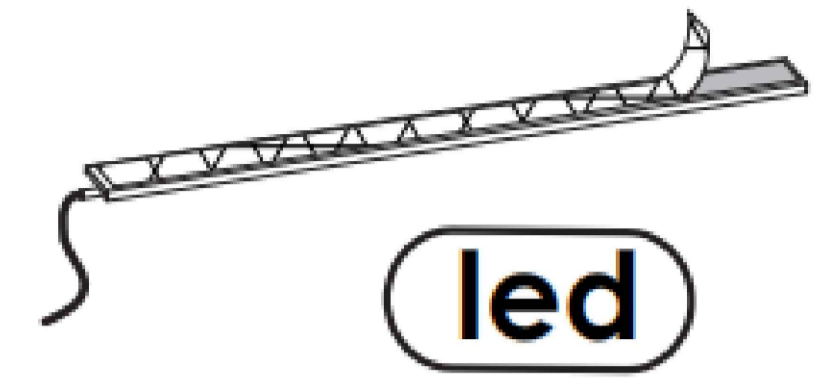
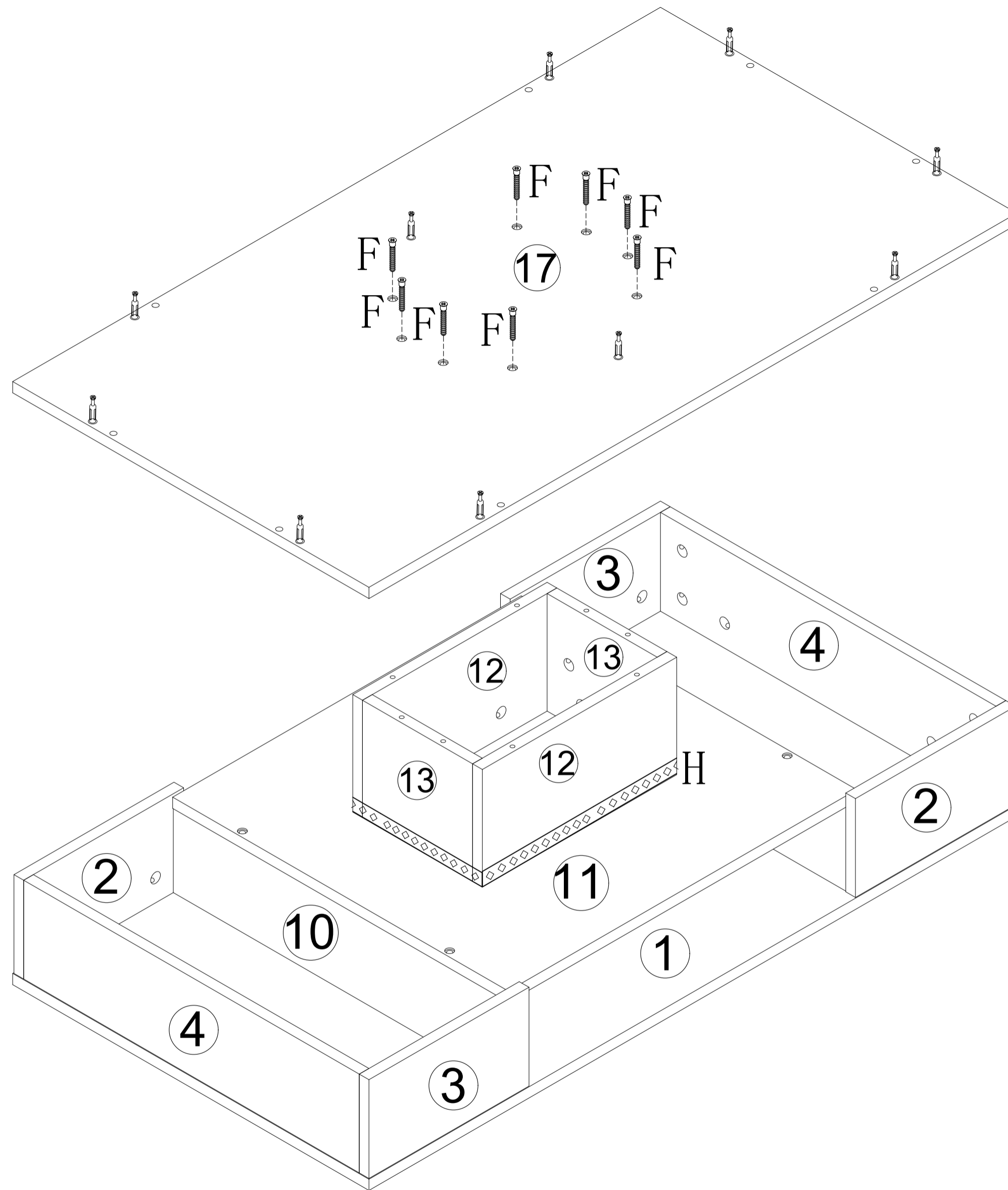
	B*16
	F*4

6

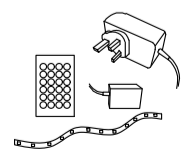


B\*12

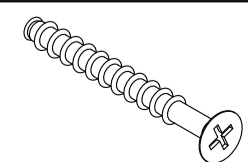
7



led

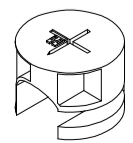
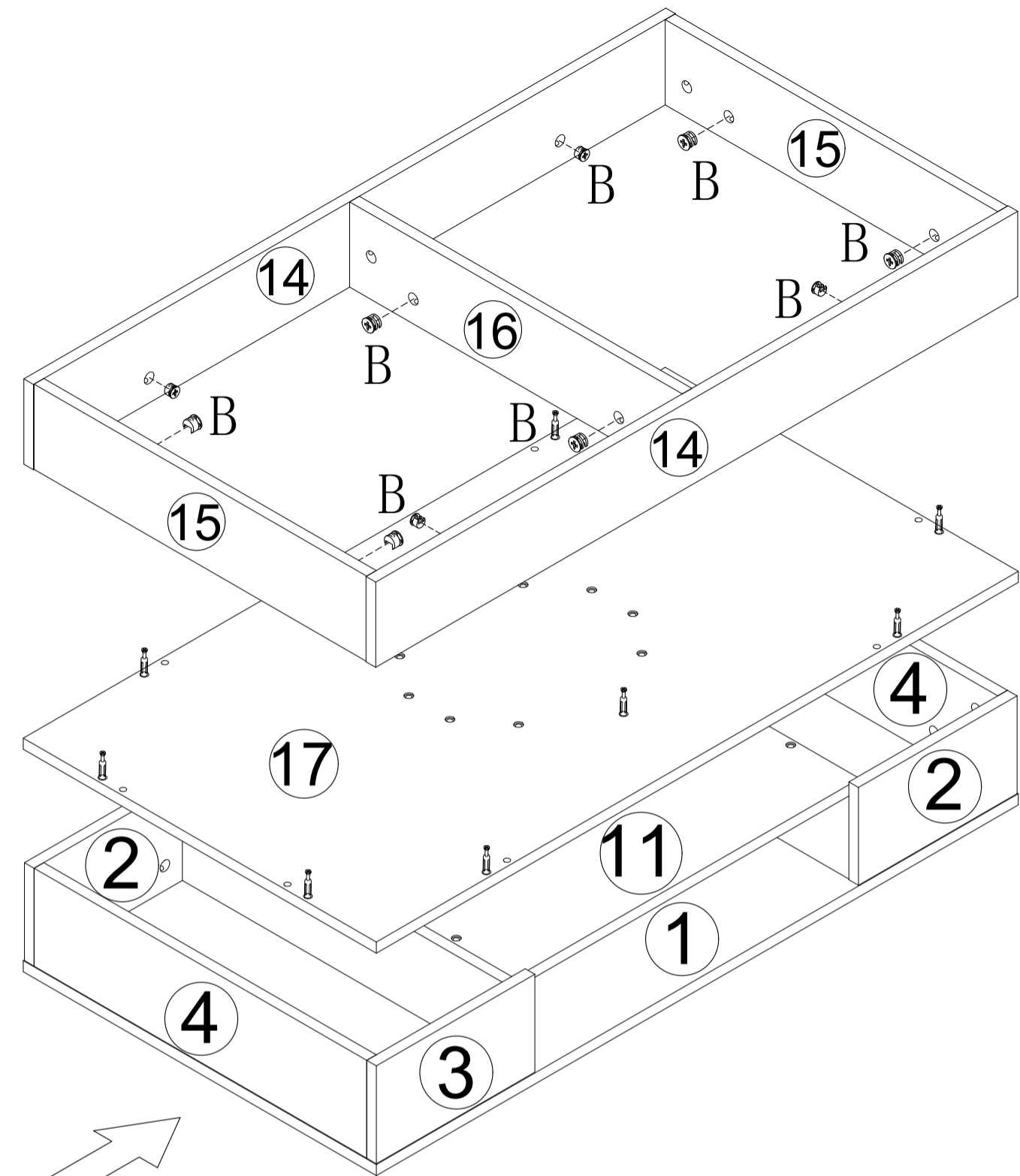
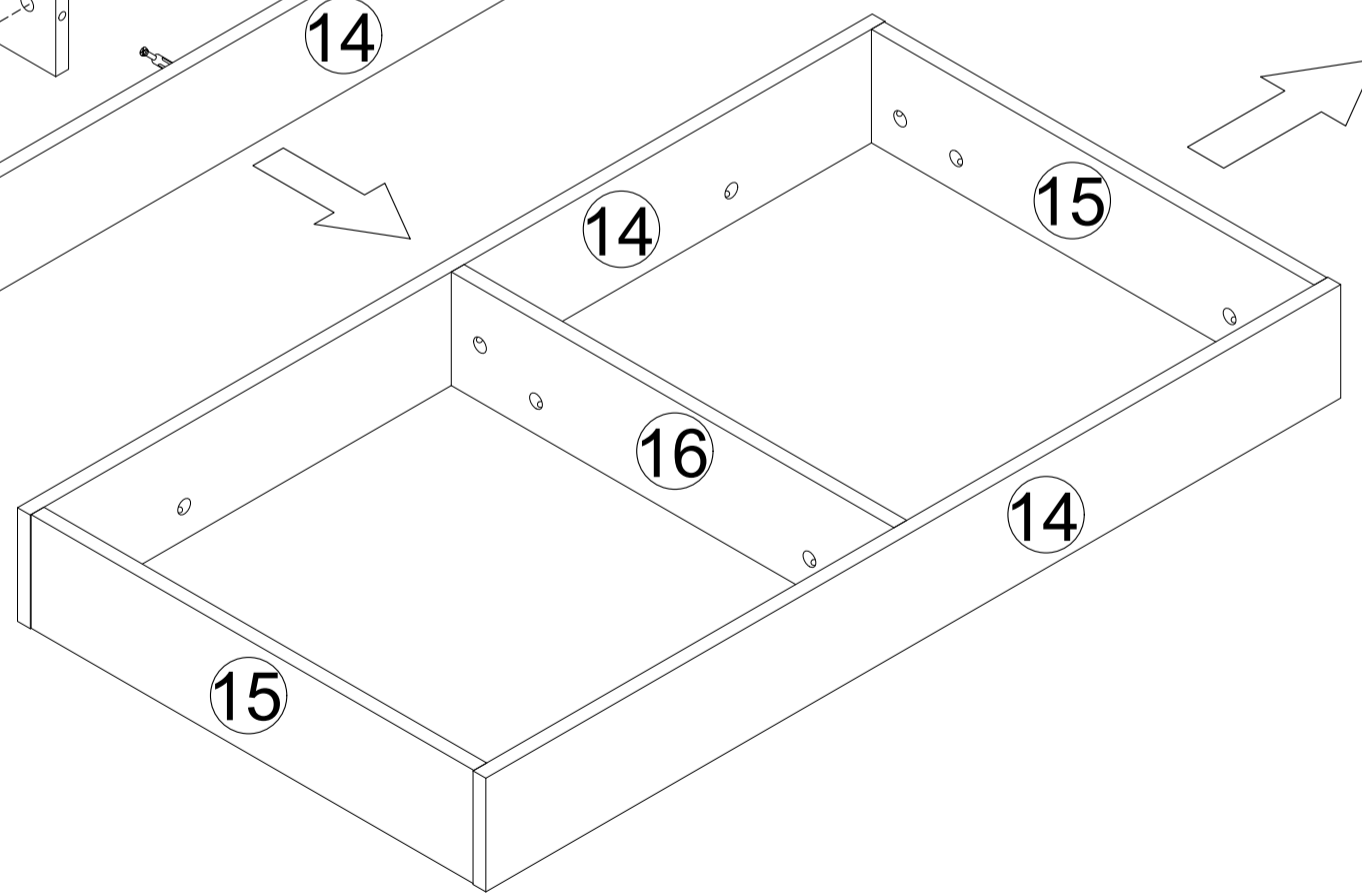
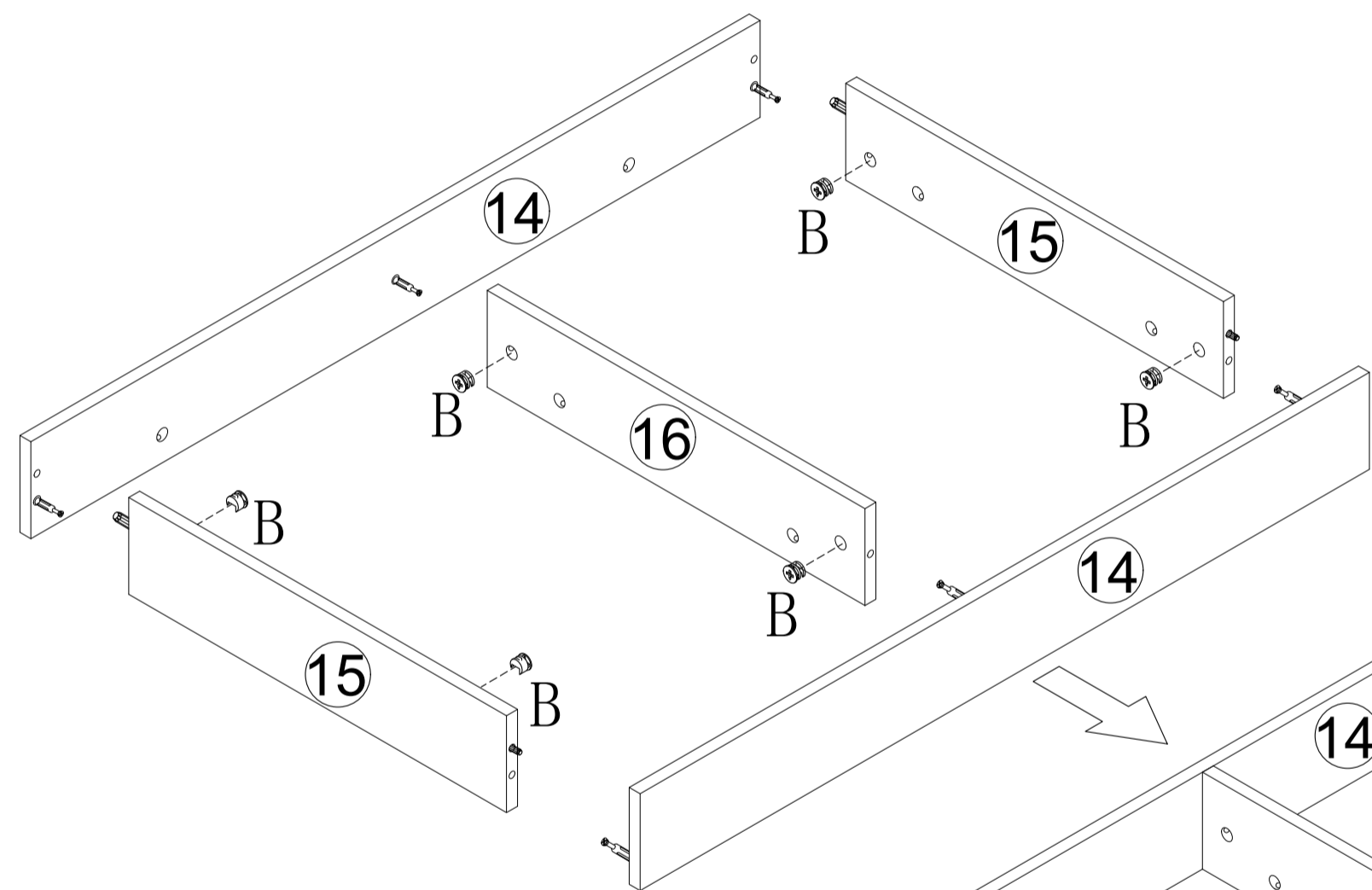


H\*1



F\*8

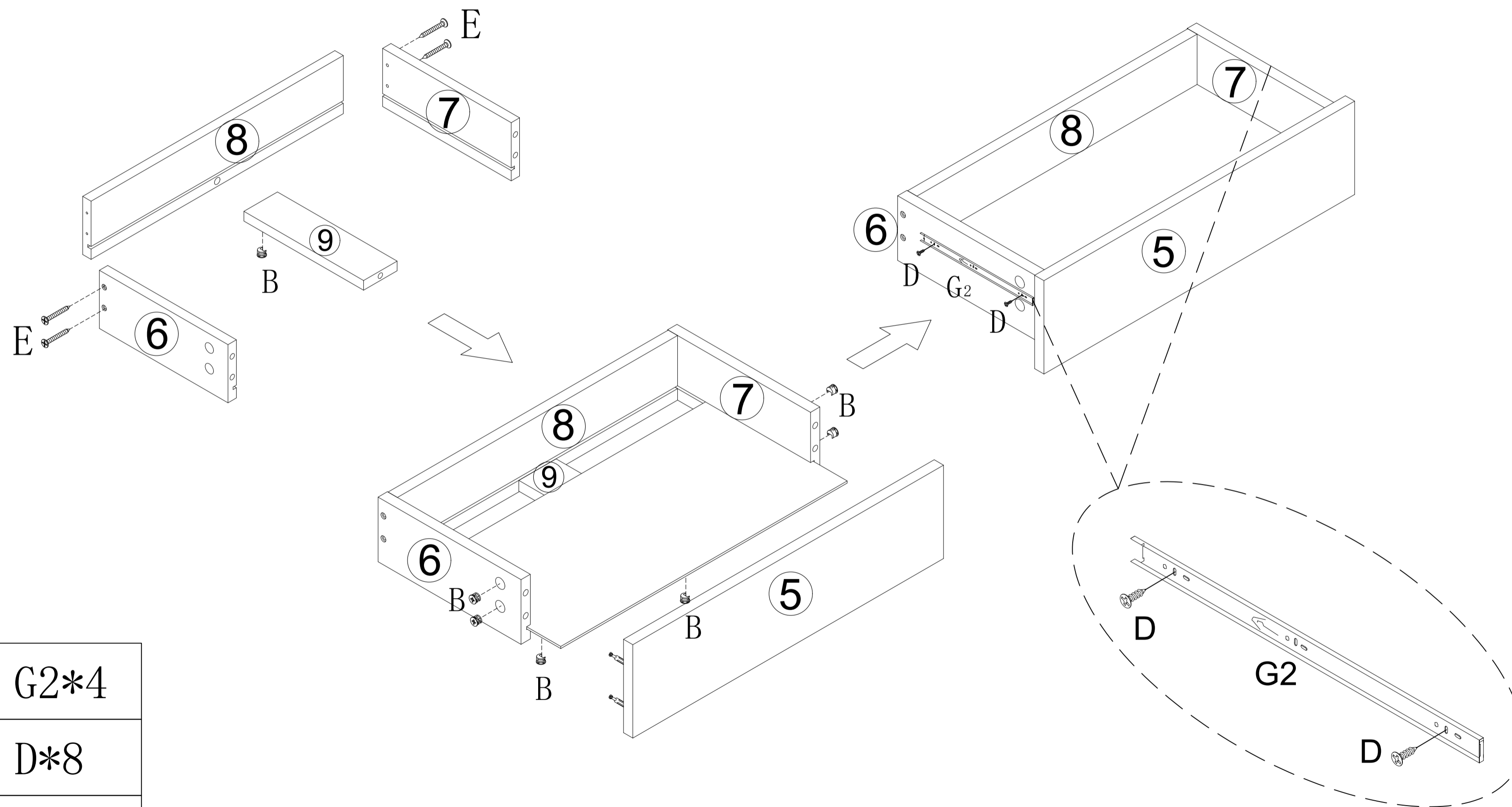
8

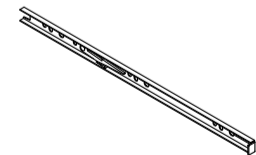

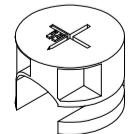
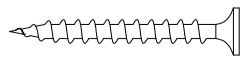


B\*16

9

X2



	G2*4
	D*8
	B*12
	E*8

10

