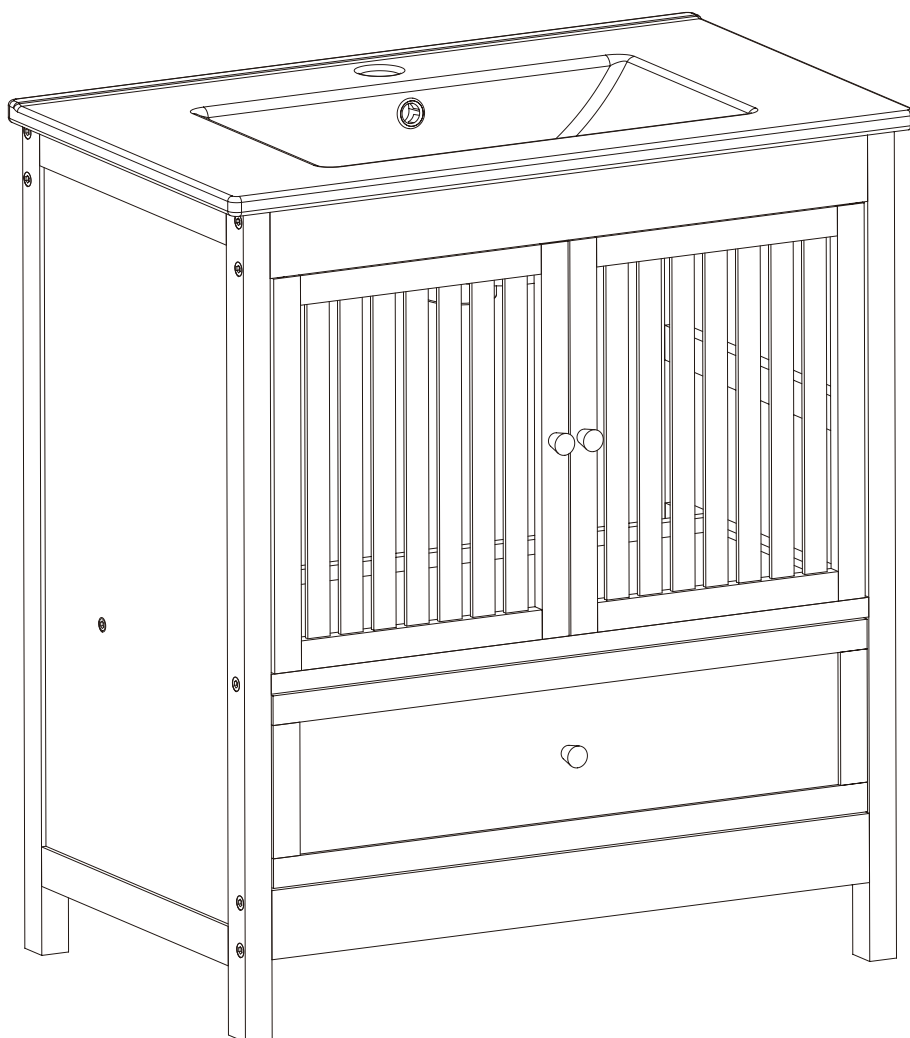


INSTRUCTION MANUAL



NOTICE

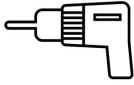
Please retain these instructions for future reference.

- Please pay close attention to the details in the instruction manual and assembly diagrams during assembly; it can help you identify the direction of assembly and avoid the need for rework and reassembly.
- The fragrance of the product itself will not harm your health, so please feel free to use it. If you can't tolerate the smell, you can leave the product in a well-ventilated area for 2 to 3 days before use.
- Upon receiving the product, if any parts are missing or damaged, please contact the store's after-sales personnel or the after-sales email immediately for help until your issue is resolved.
- Please pay attention to sharp objects such as screws and other sharp objects during installation to avoid injury.
- If you encounter any problems during product assembly and use, please contact us promptly for resolution. We look forward to hearing from you.
- During the product usage, please reconfirm whether all bolts and screws are secure every 30 days.
- Do not use or store this product near open flames or flammable/combustible chemicals.
- Do not use this item in a way inconsistent with the manufacturer's instructions as this could void the product warranty.

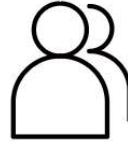
TOOLS REQUIRED



PHILLIPS
SCREWDRIVER



DRILL
(RECOMMENDED)



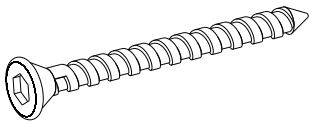
2PERSON
ASSEMBLY



APPROXIMATELY
45MIN. ASSEMBLY

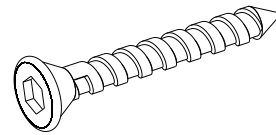
HARDWARE

M5x50mm SCREW
16PCS



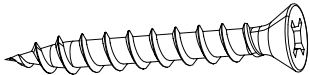
A

M5x40mm SCREW
3PCS



B

M4x25mm SCREW
8PCS



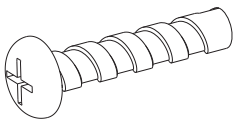
C

M3x12mm SCREW
12PCS



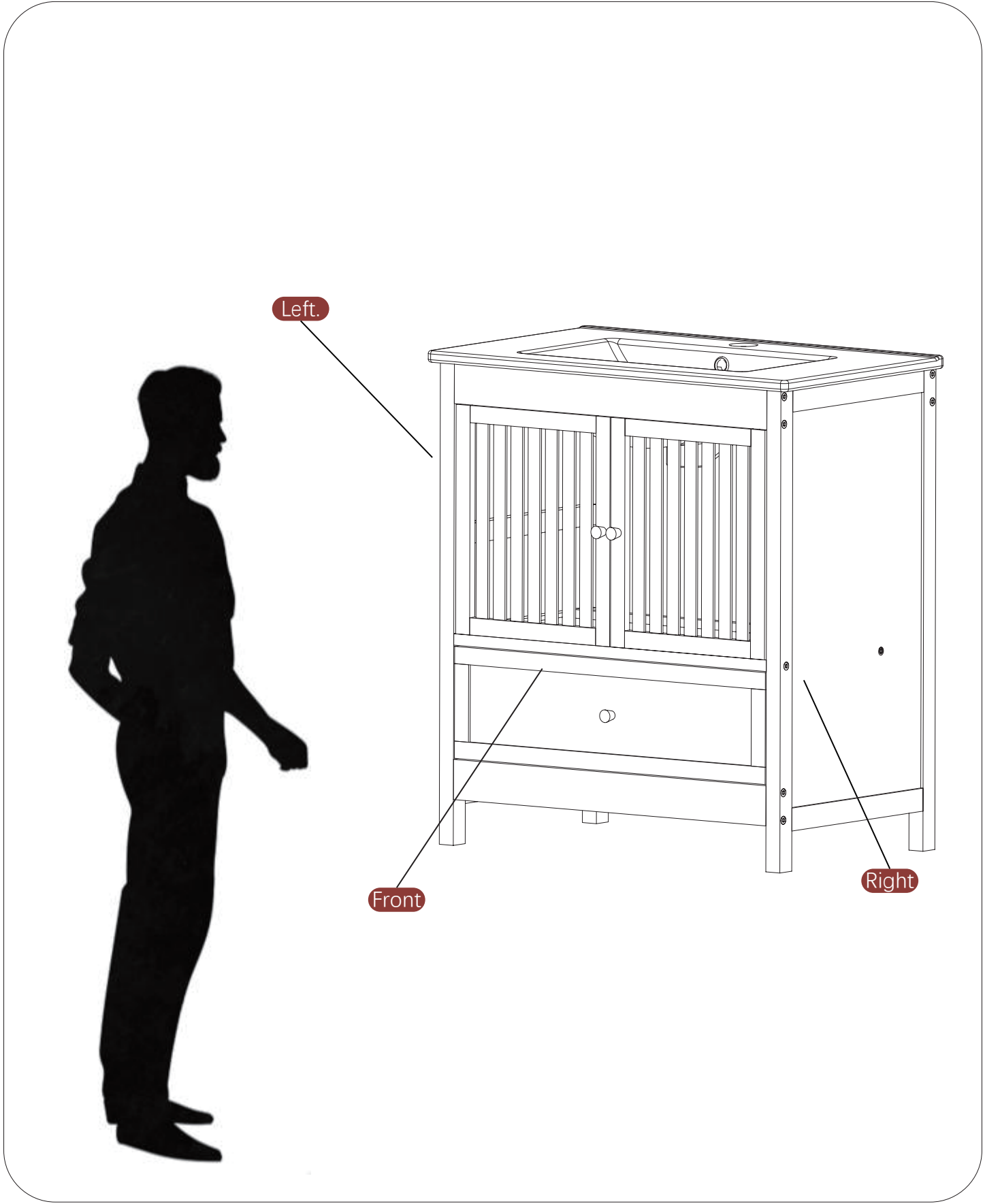
D

M4x17mm SCREW
3PCS



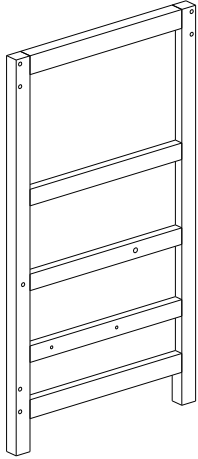
E

HARDWARE



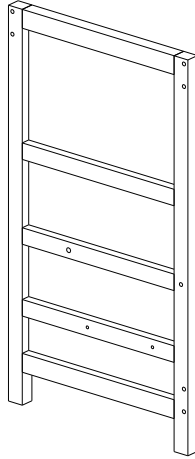
PARTS

Left - Panel
1PCS



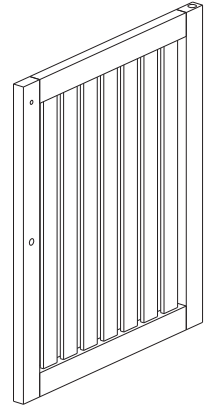
1

Right - Panel
1PCS



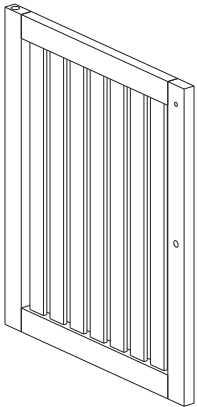
2

Front - Left Door Panel
1PCS



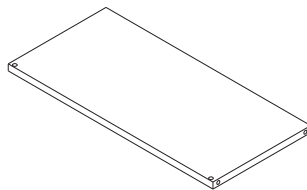
3

Front - Right Door Panel
1PCS



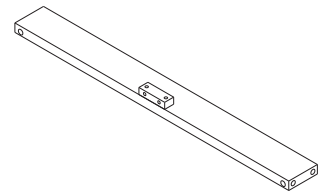
4

layer board
1PCS



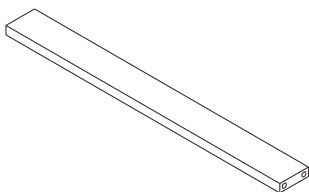
5

Baffle
1PCS



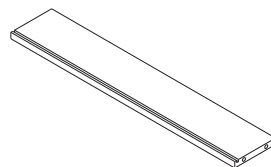
6

Baffle
2PCS



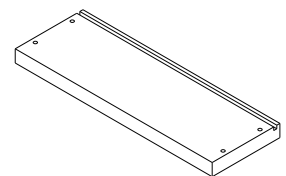
7

Drawer - Back
1PCS



8

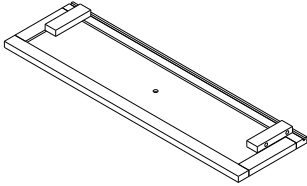
Drawer - Side
2PCS



9

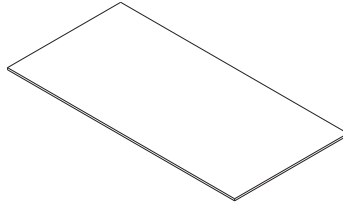
PARTS

Drawer - Front
1PCS



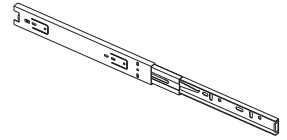
10

Drawer - Bottom
1PCS



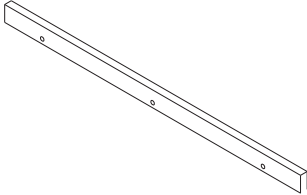
11

Drawer Slide
2PCS



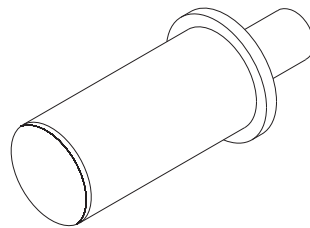
12

Baffle
1PCS



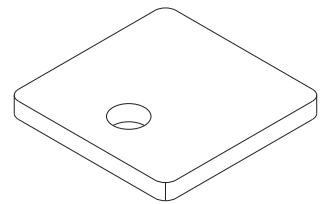
13

Door Pivot
4PCS



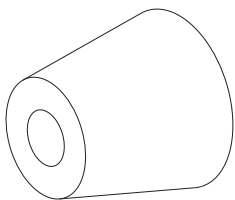
14

Iron Plate
2PCS



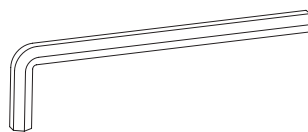
15

Door Handle
3PCS



16

Hex Wrench
1PCS



17

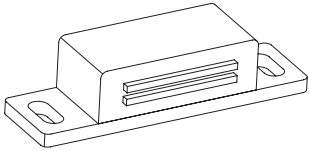
Crosshead Screwdriver
1PCS



18

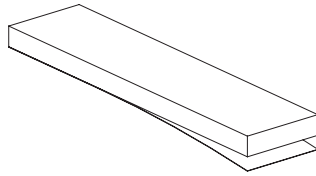
PARTS

Magnetic Door Closer
1PCS



19

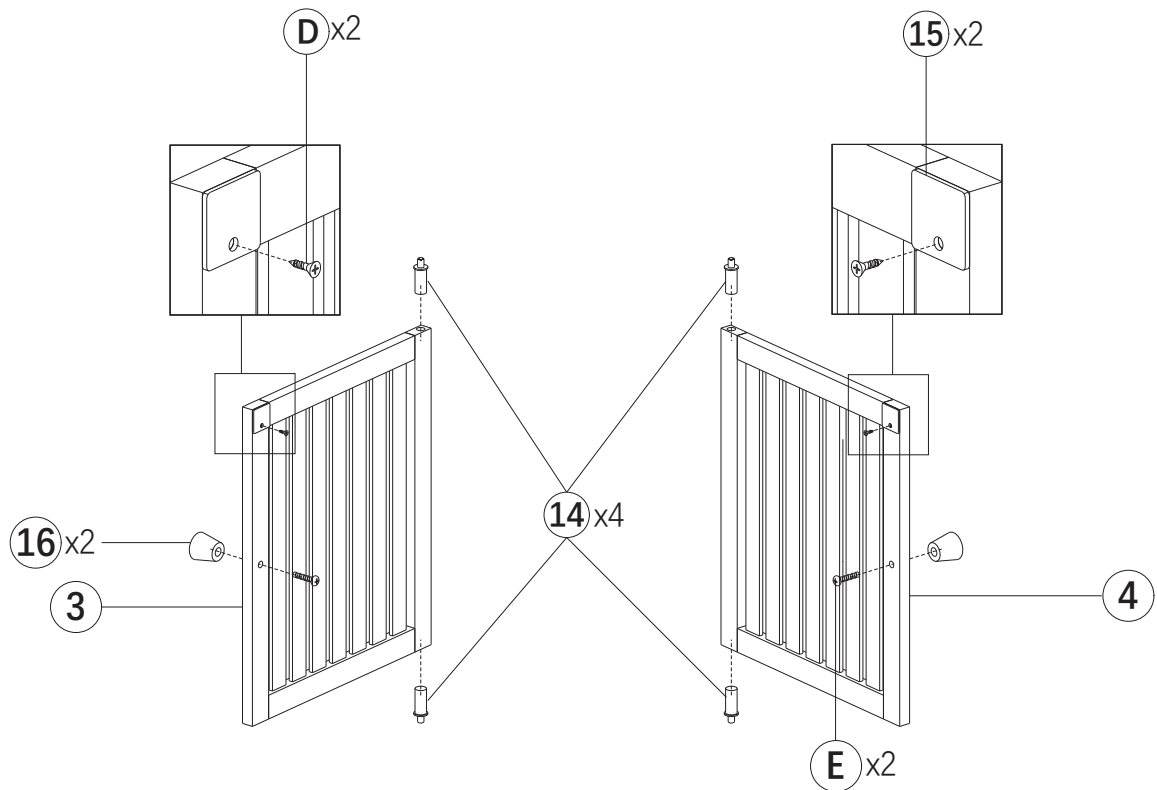
Anti-Slip Tape
8PCS



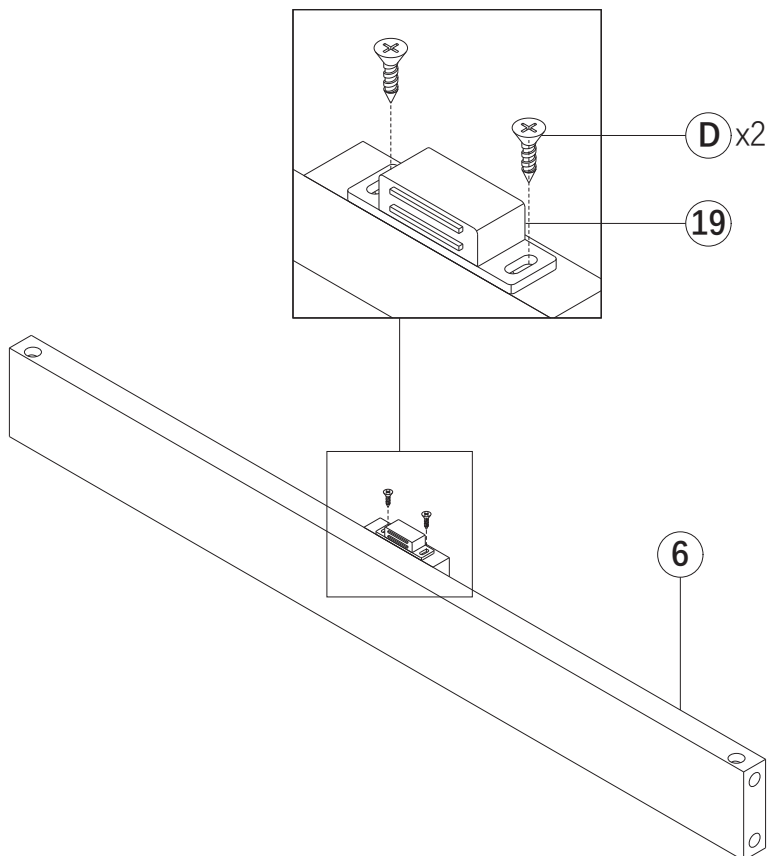
20

PRODUCT ASSEMBLY

STEP-1: Use screw **(D)** to secure component **(15)** to the door. Use screw **(E)** to secure component **(16)** to the door. Then, insert the larger end of component **(14)** into both ends of the door.

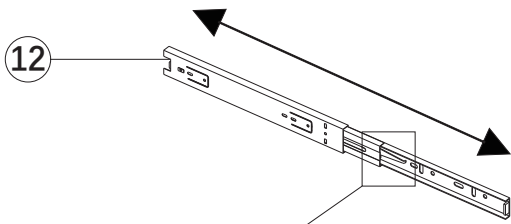


STEP-2: Use screw **(D)** to secure component **(19)** to part **(6)**.



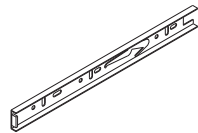
PRODUCT ASSEMBLY

STEP-3: Disassemble component **12**.

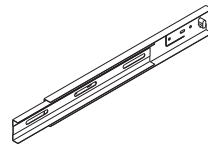


UStep 1: Slide the slide track to its longest position.

Step 2: Press the retaining clip, pull out the slide track, and it will split into upper and lower sections.

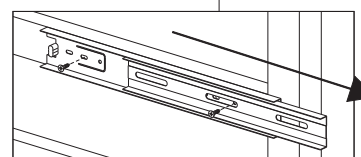
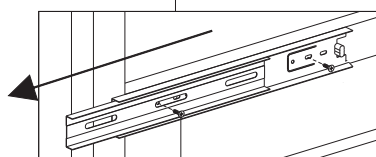
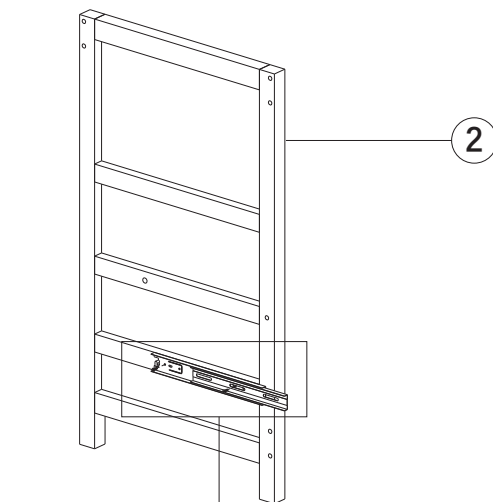
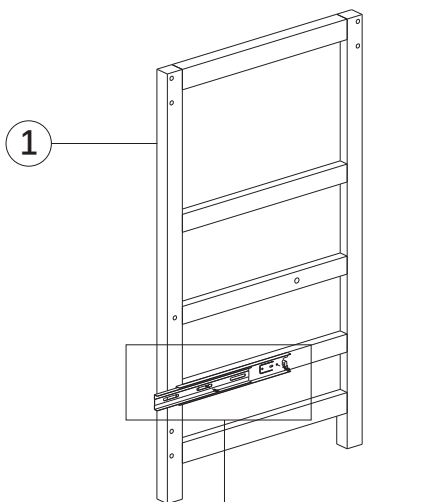


Upper Part



lower Part

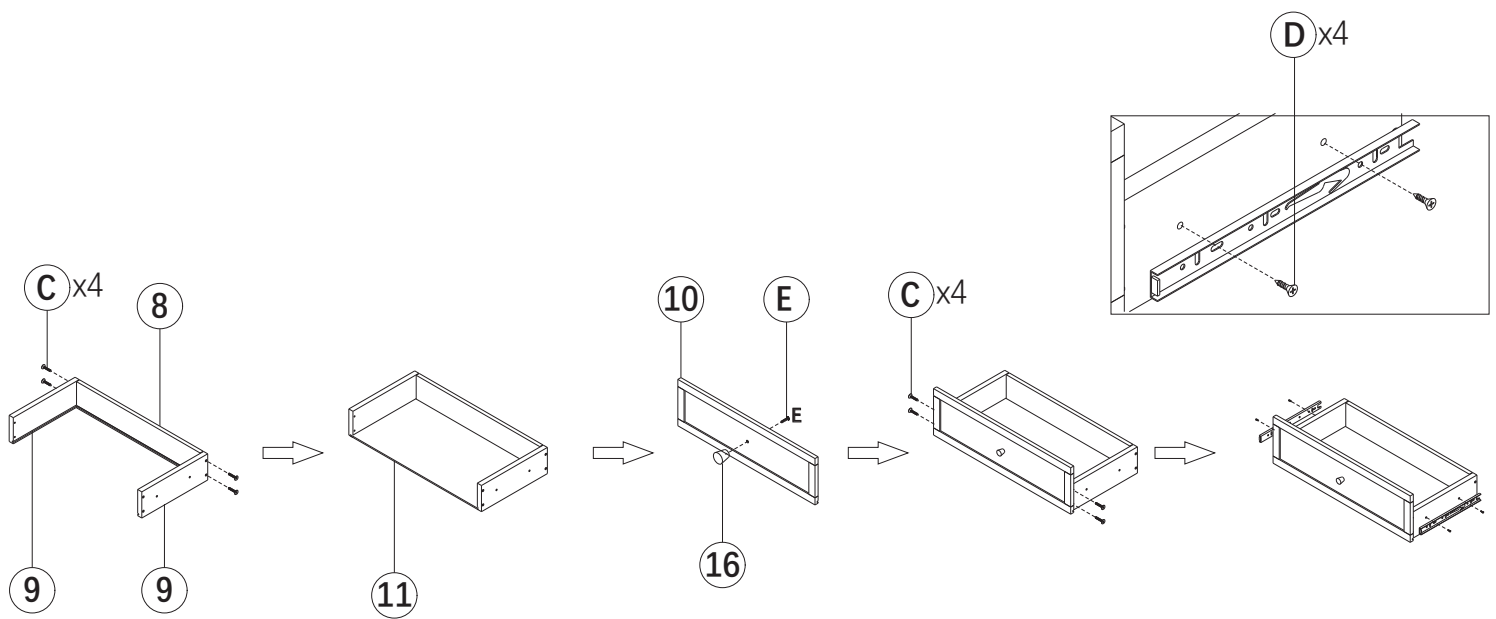
STEP-4: Use screw **D** to secure the lower part of the slide track to parts **1** and **2**. Then, slide the slide track along the arrow direction.



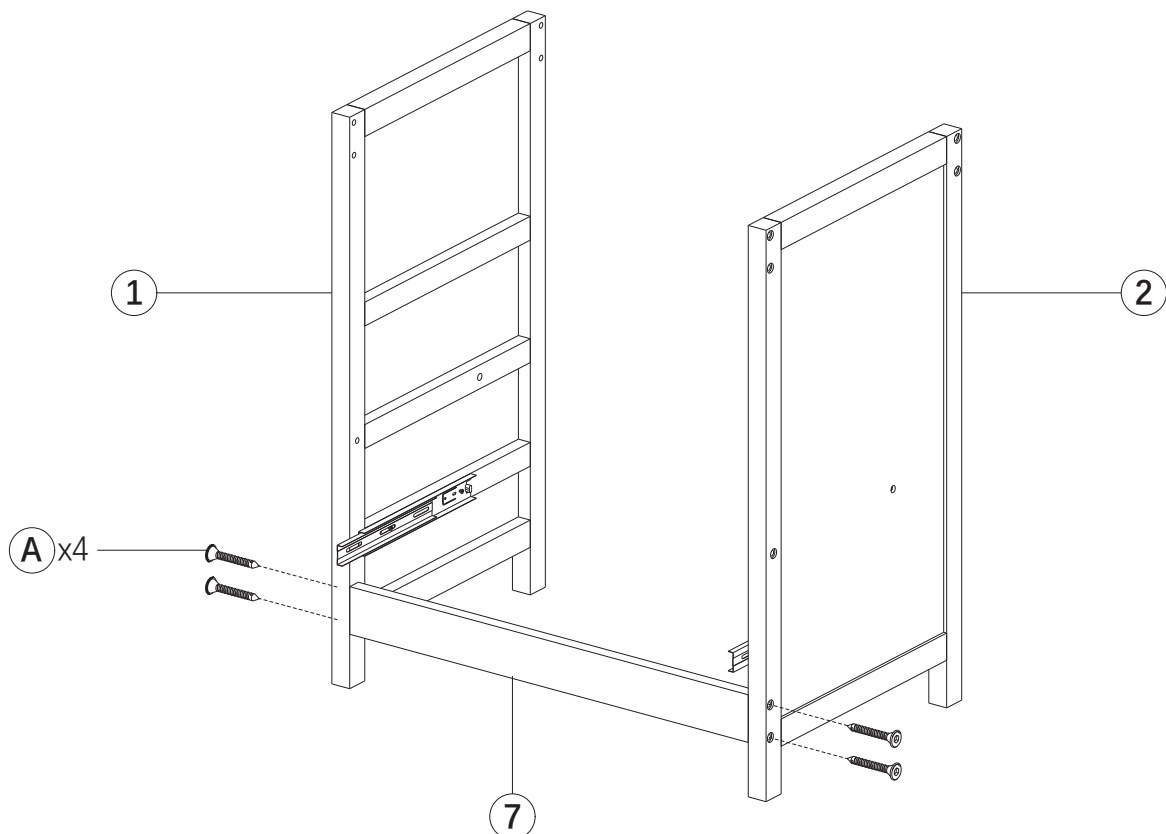
D x4

PRODUCT ASSEMBLY

STEP-5: Drawer Installation Steps

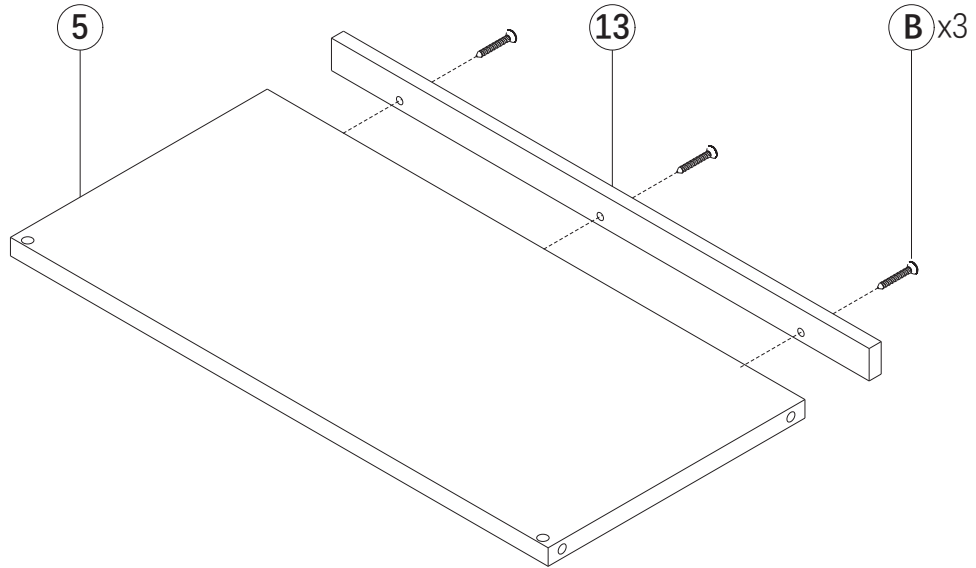


STEP-6: Use screw (A) to secure component (7) to step 4.

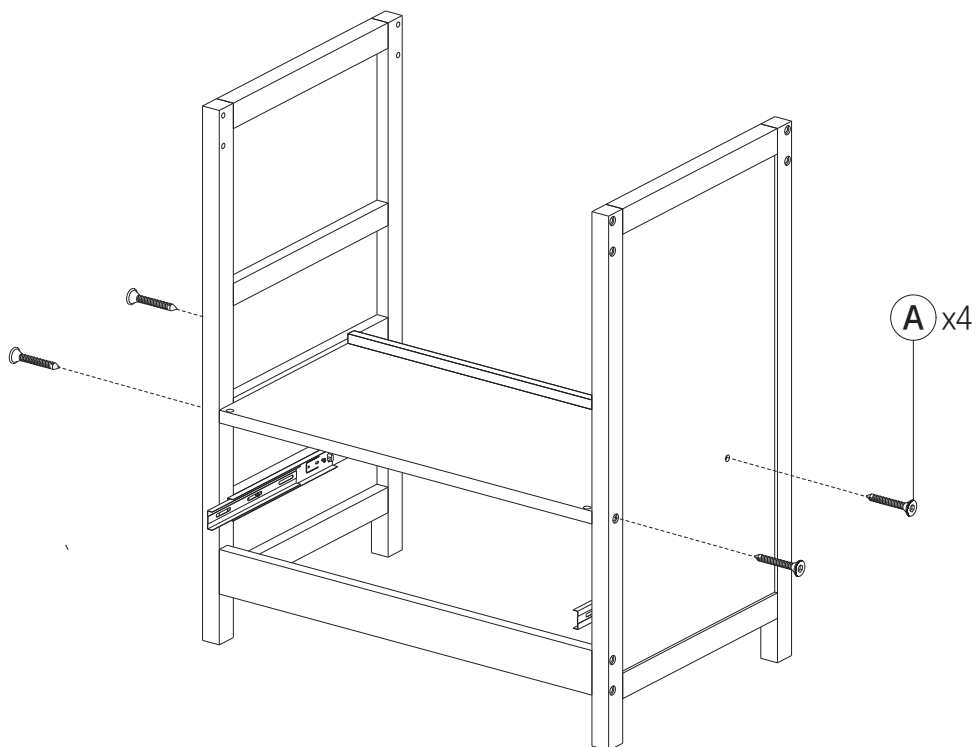


PRODUCT ASSEMBLY

STEP-7: Use screw **(B)** to secure component **(13)** to component **(5)**.

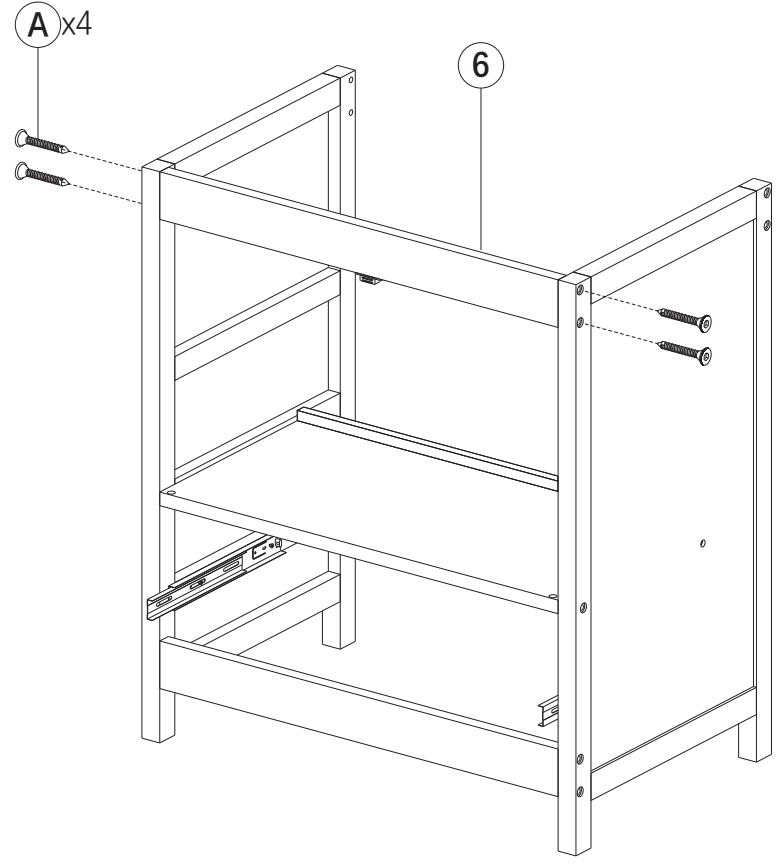


STEP-8: Use screw **(A)** to secure steps 6 and 7.

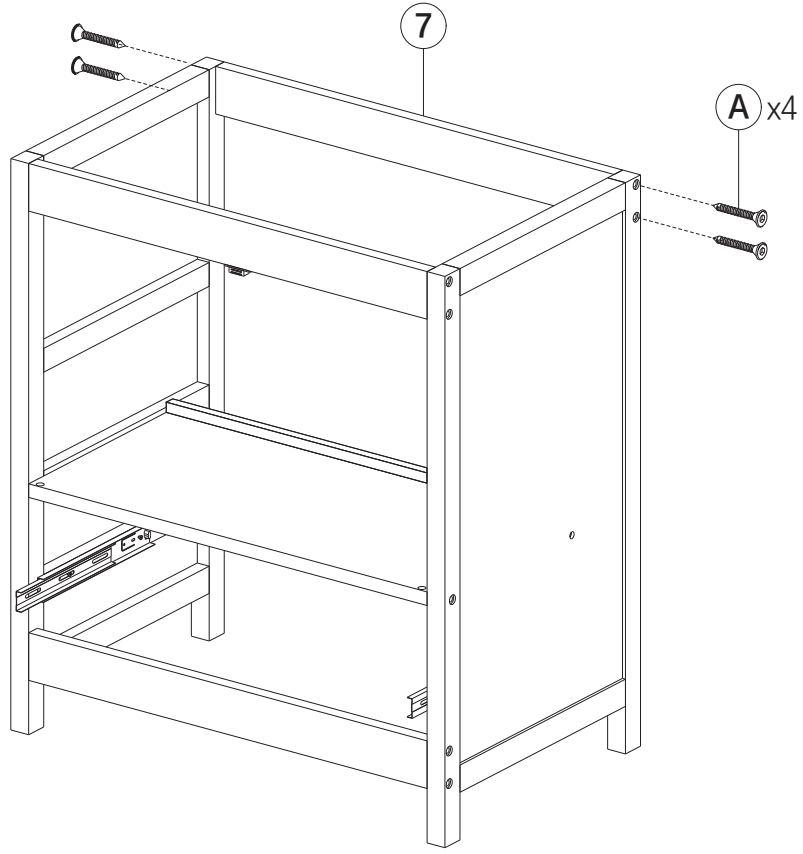


PRODUCT ASSEMBLY

STEP-9: Use (A) screws to connect step 2 and step 8, paying attention to the installation direction of step 2.

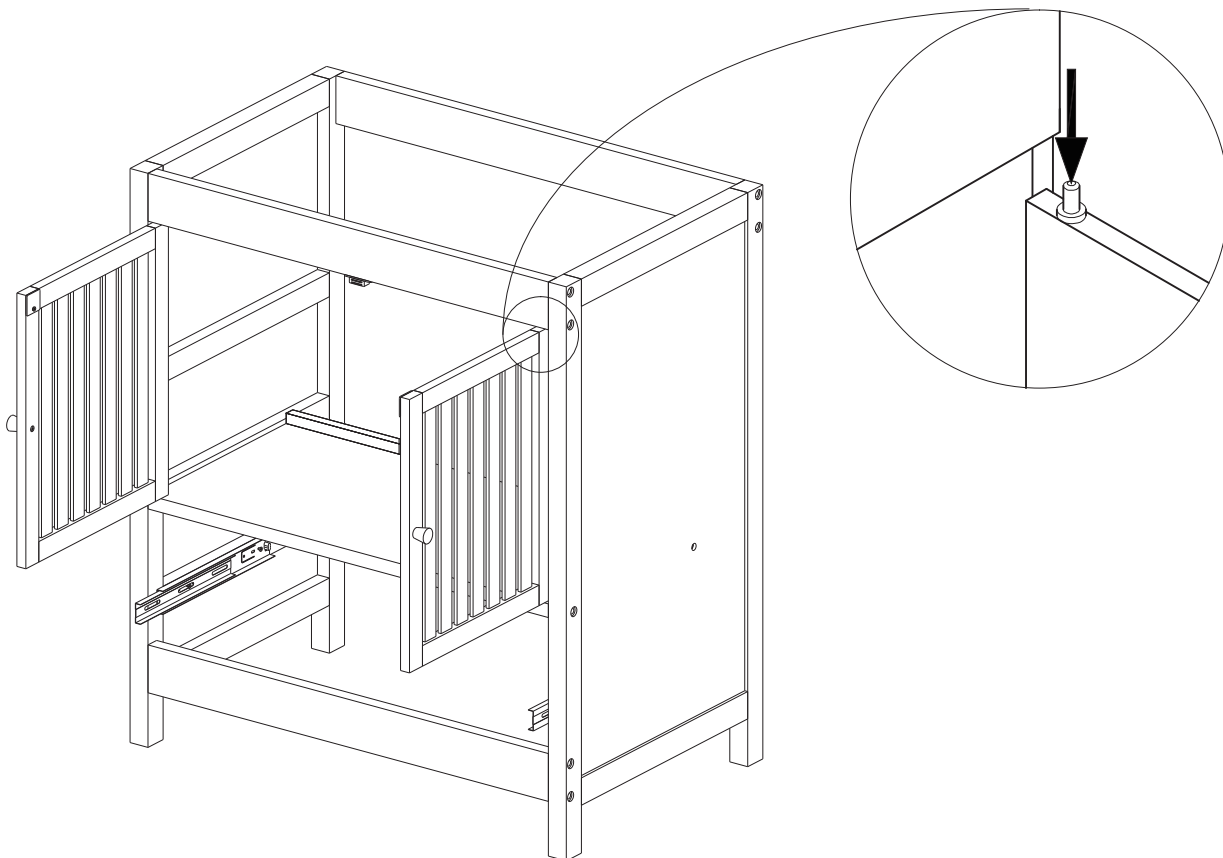


STEP-10: Use Screw (A) to connect step 9 and component (7).

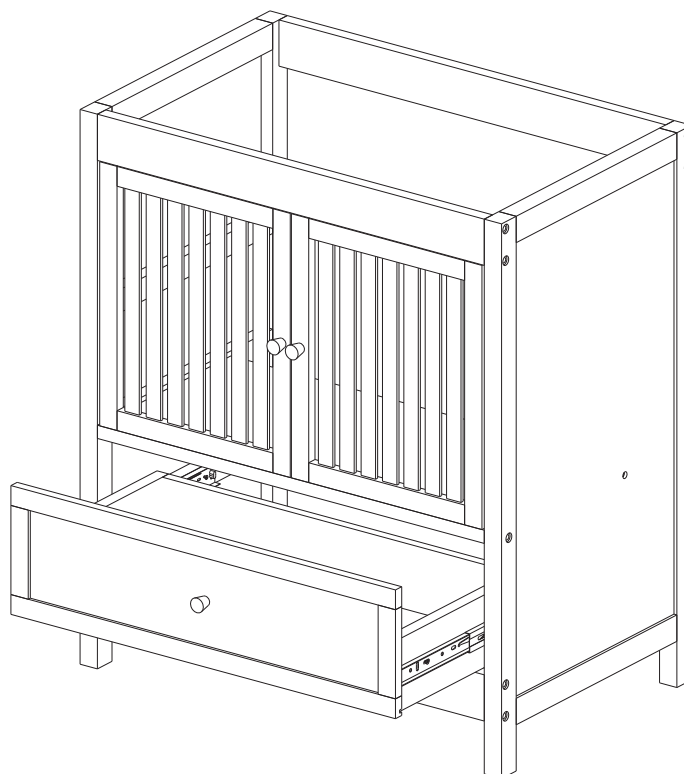


PRODUCT ASSEMBLY

STEP-11: Hold the door hinge on the door and insert it into the holes of components ⑤ and ⑥ .

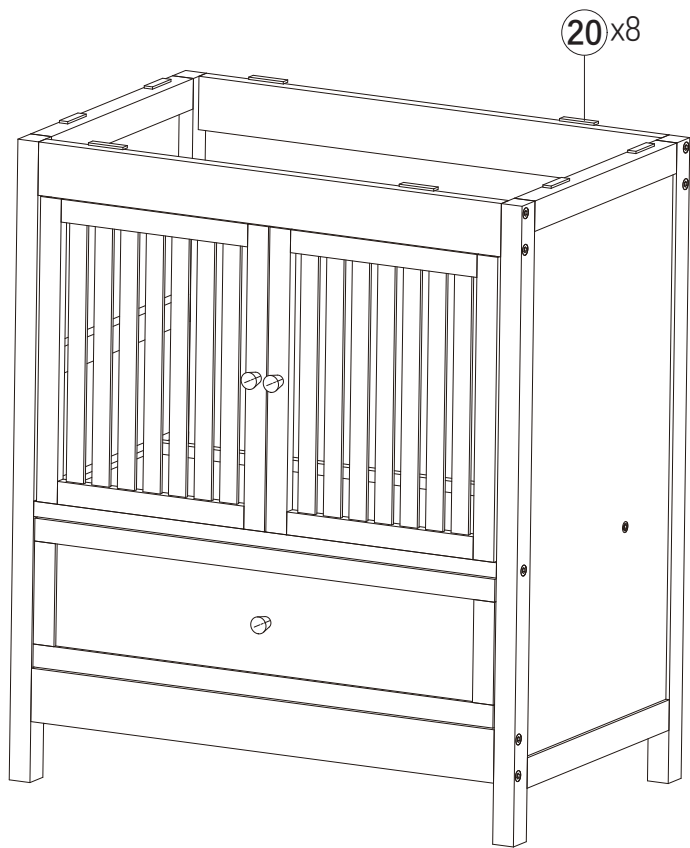


STEP-12: Place the installed drawer into the track.



PRODUCT ASSEMBLY

STEP-13: Adhere component (20) to the designated position.



STEP-14: Placing the washbasin completes the installation.

