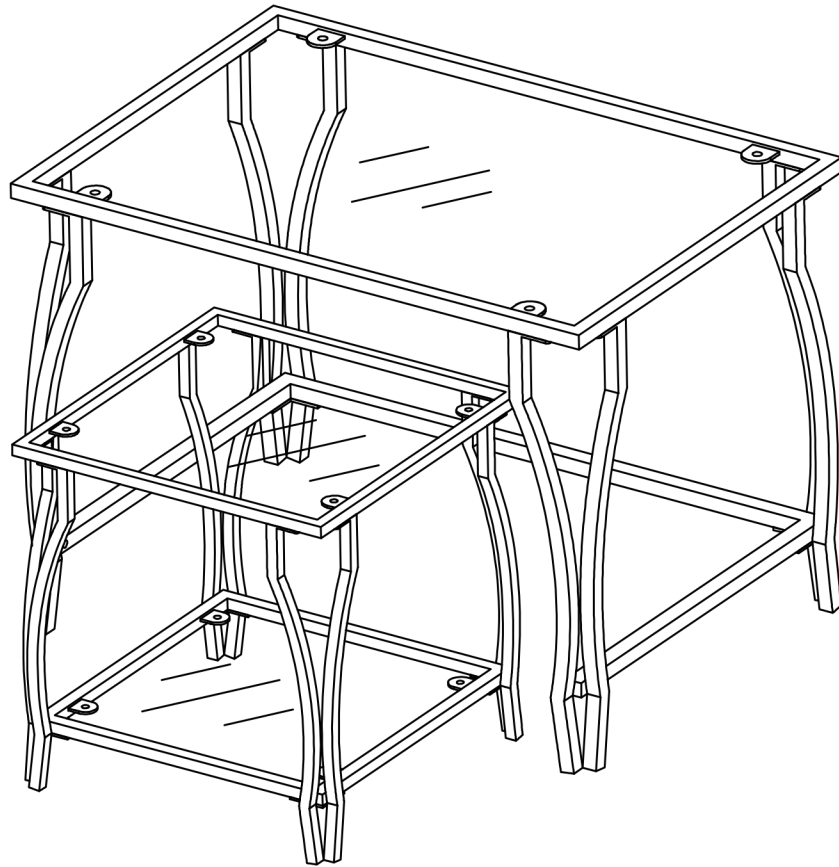


Assembly Instructions



ASSEMBLY RATING

The Assembly Rating is a 5-point system that shows the degree of effort needed in assembling a specific product (with 1 being easy and 5 being difficult). For some products, two persons are recommended.

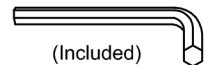
EASY



DIFFICULT

Tools Required For Assembly:

Allen Wrench



(Included)

Phillips Screwdriver



(Not Included)



2 PERSONS RECOMMENDED

ASSEMBLY & CARE ADVICE

FOR YOUR FURNITURE TO LAST, CORRECT ASSEMBLY AND PROPER MAINTENANCE ARE NECESSARY. PLEASE FOLLOW THE INFORMATION PROVIDED BELOW TO FULLY ENJOY YOUR FURNITURE.

BASIC ASSEMBLY TECHNIQUES



When lock or spring washer is used in an assembly, please make sure the lock or spring washer is placed between the larger flat washer and the head of the screw or bolt.



Position each part correctly and insert screws or bolts into their respective holes by hand tighten or using the proper hand tool. Only tighten when step is completed or when instructed to do so.



Use cardboard or carpet area when assembling furniture to prevent scratches. Make sure the furniture rests on a flat and level surface with each leg evenly touching the floor.



Some furniture comes with height adjustment knobs underneath each leg. To lower or to raise each leg, you need to turn clockwise or counterclockwise, respectively.



Make sure all parts are properly aligned, then use the appropriate hand tool to completely tighten the bolts or screws. Do not use power tools and do not overtighten.



Save the instructions and store the Allen wrench or any supplied tool for later maintenance. After two weeks, check and tighten any loose hardware and repeat again every six months thereafter.

IT IS THE USER'S RESPONSIBILITY TO MAINTAIN THE FURNITURE. THE HARDWARE MAY LOOSEN OVER TIME AND MAY CAUSE THE FURNITURE TO BE WOBBLY AND UNABLE TO SUPPORT ITS INTENDED WEIGHT CAPACITY. THIS MAY LEAD TO COLLAPSE AND MAY CAUSE SERIOUS INJURY.



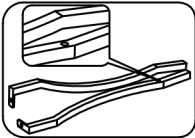
FAILURE TO FOLLOW THE GUIDELINES ABOVE MAY RESULT IN INJURY AND/OR PROPERTY DAMAGE.



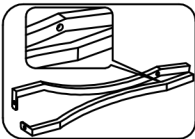
Before you begin, please read Page 2 of "Assembly and Care Advice".

And remember, do not tighten until each step is completed or instructed.

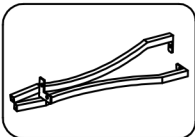
Parts List



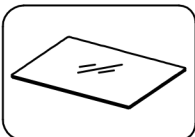
1 x 1pc
L. Table Right Leg



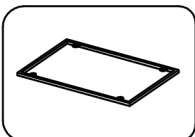
2 x 1pc
L. Table Left Leg



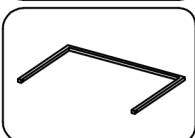
3 x 2pcs
L. Table Back Leg



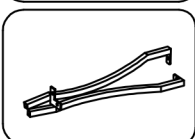
4 x 1pc
L. Table Glass Top



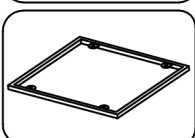
5 x 1pc
L. Table Top Frame



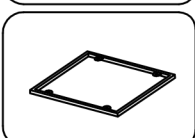
6 x 1pc
L. Table Bottom Stretcher



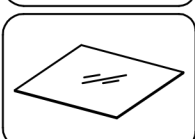
7 x 4pcs
Small Table Leg



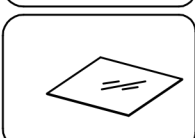
8 x 1pc
Small Table Frame



9 x 1pc
Small Bottom Frame



10 x 1pc
Small Table Glass Top



11 x 1pc
Small Table Shelf Glass

Hardware List



A x 28pcs
Bolt 1/4" x 13mm



B x 2pcs
Bolt 1/4" x 22mm



C x 12pcs
Glass Tip

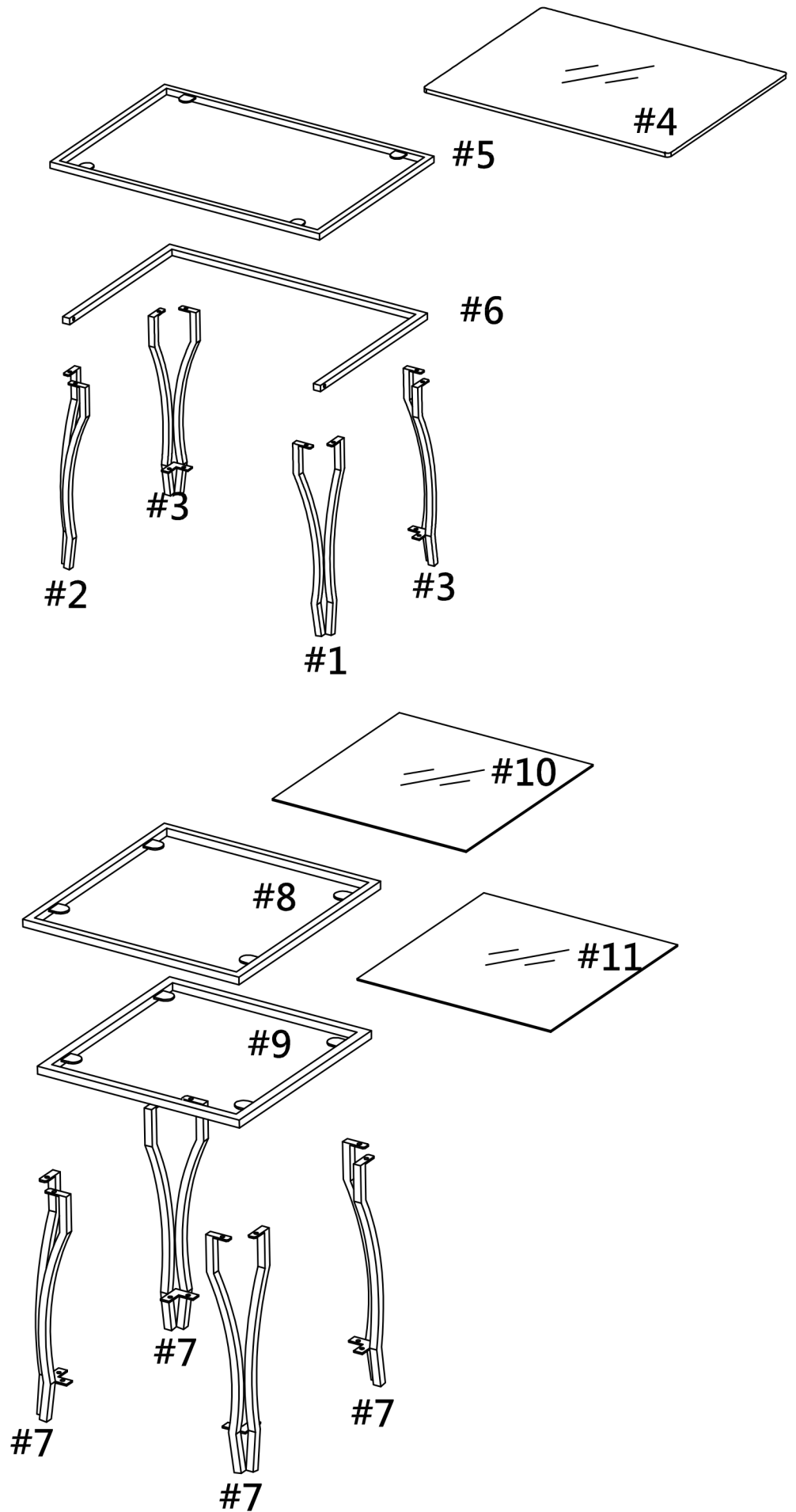


D x 16pcs
End Cap



E x 1pc
Allen Key

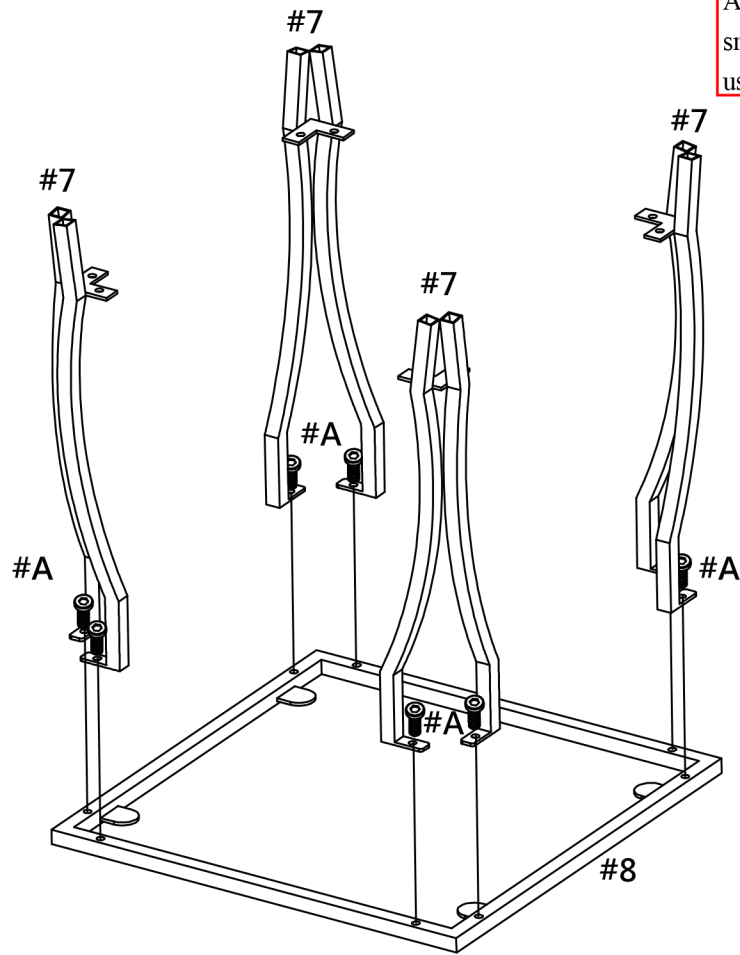
Exploded View





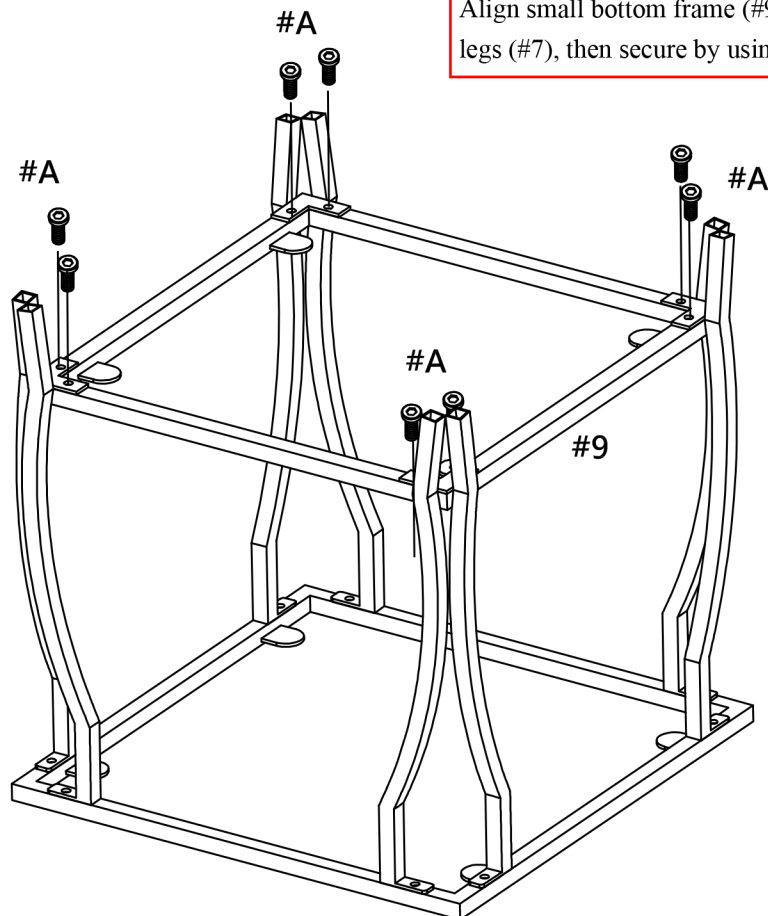
#A 8pcs

DO NOT FULLY TIGHTEN
ALL BOLTS UNTIL
ASSEMBLY IS COMPLETED



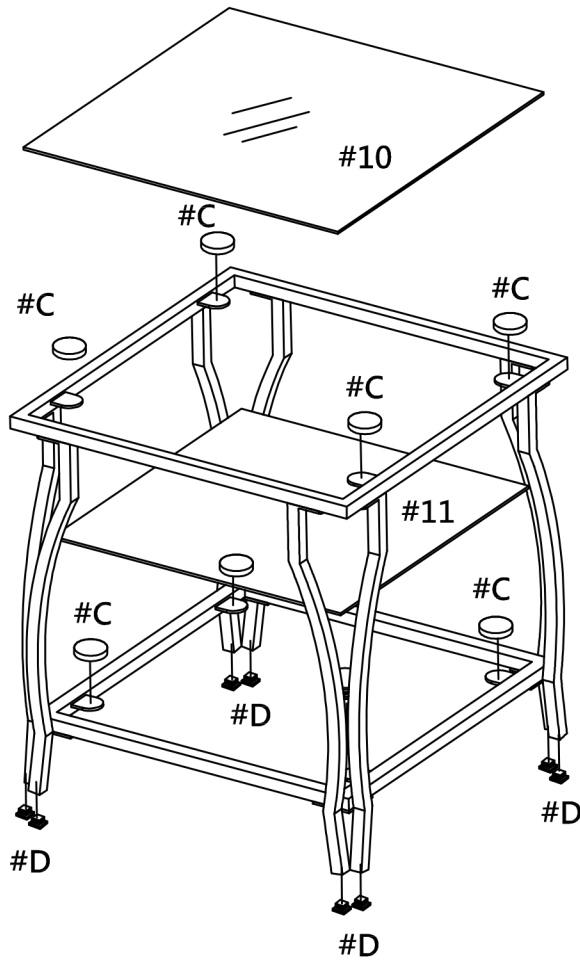
#A 8pcs

Align small bottom frame (#9) to the holes of the legs (#7), then secure by using bolts (#A).





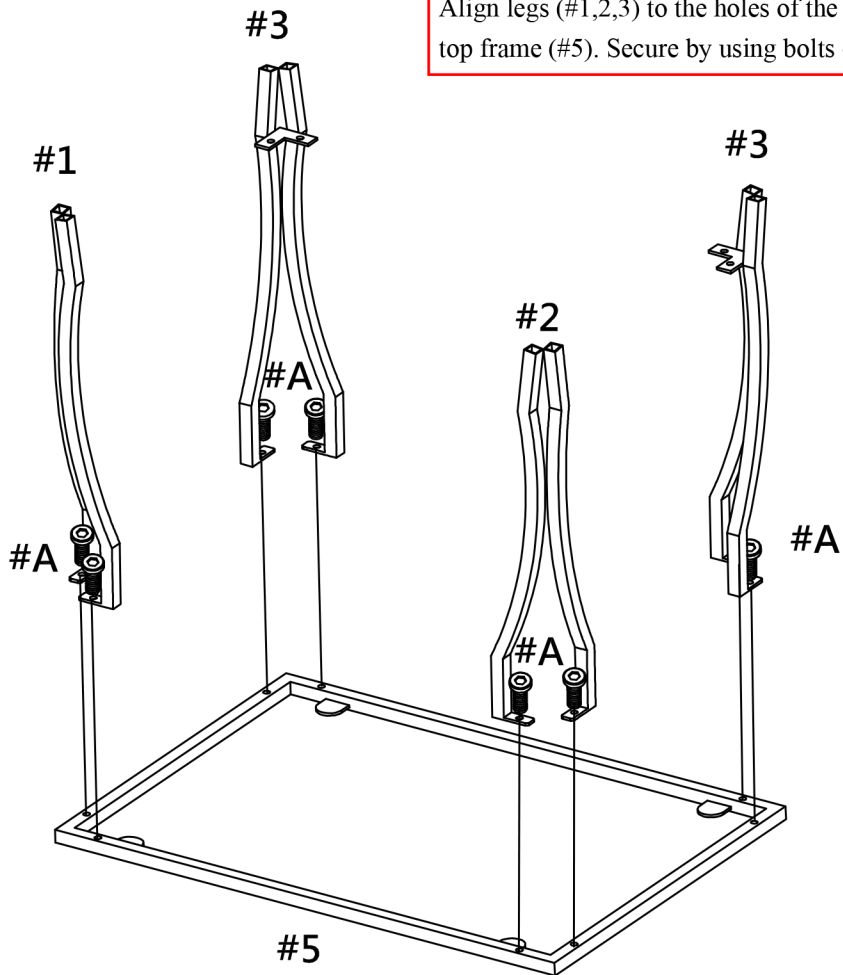
#C 8pcs
#D 8pcs



Place glass tips (#C) to the tabs as shown in the picture. Carefully place glass (#10,11) to the glass tips (#C).



#A 8pcs

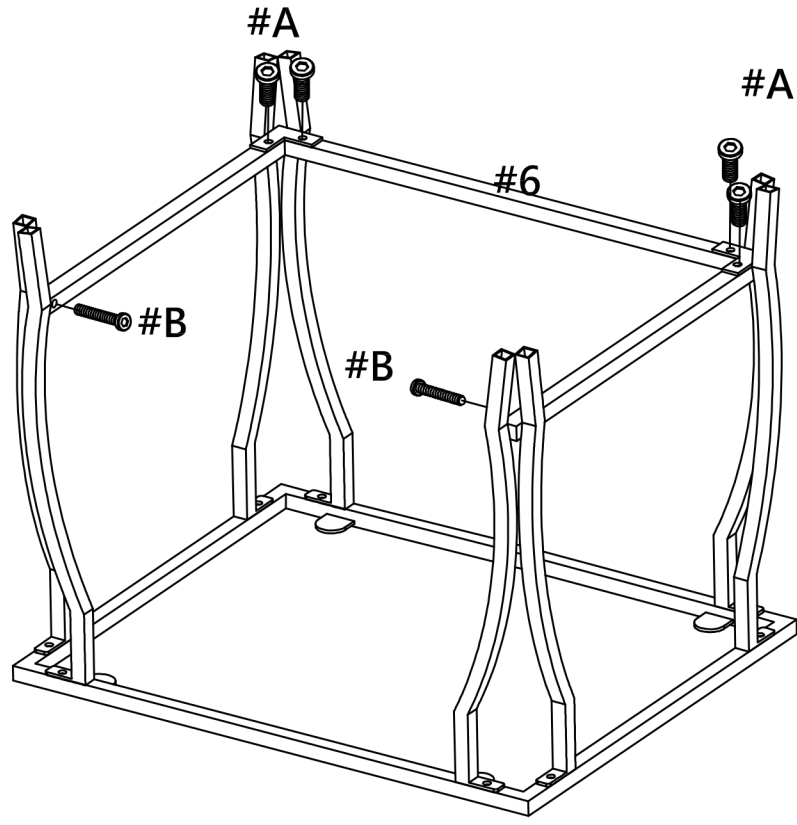


Align legs (#1,2,3) to the holes of the large table top frame (#5). Secure by using bolts (#A).



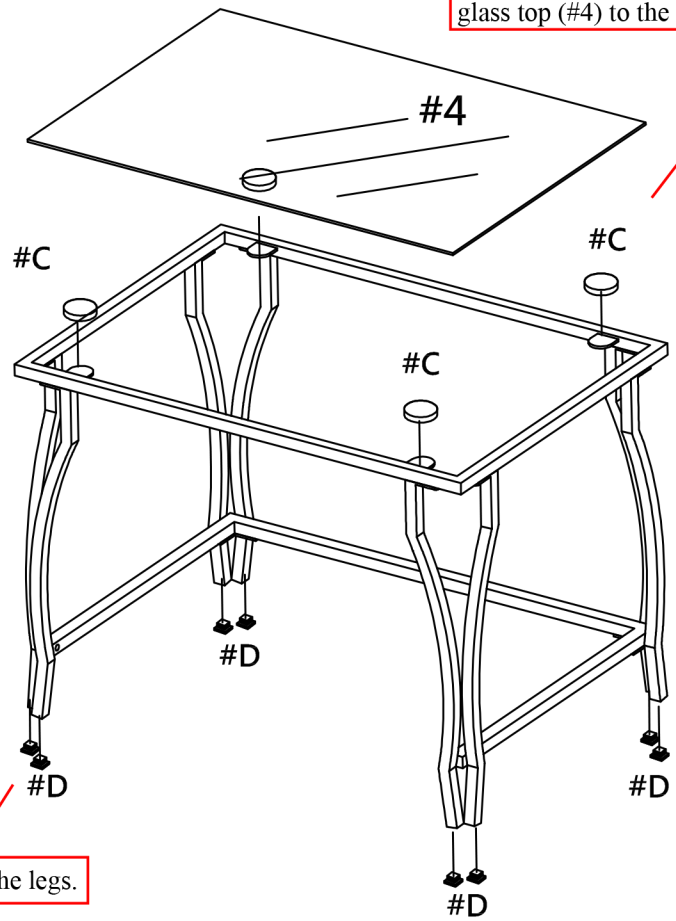
Align large table bottom stretcher (#6) to the holes of the legs.
Secure by using bolts (#A,B) as shown in the diagram.

#A 4pcs
#B 2pcs



Attach glass tips (#C) to the tabs of the product as shown in the picture. Carefully place the glass top (#4) to the glass tip (#C).

#C 4pcs
#D 4pcs



Attach end caps (#D) to the bottom of the legs.