

# ASSEMBLY INSTRUCTION

## CORKTOWN HOST CHAIR

### IMPORTANT SAFETY CONSTRUCTION

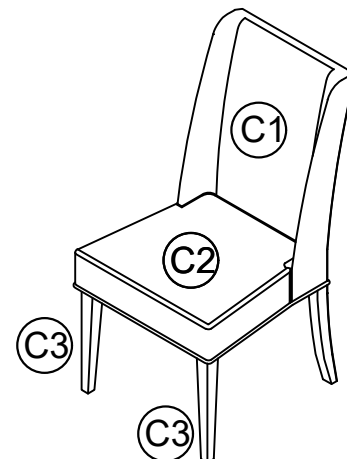
Thank you for purchasing this quality product. Be sure to check all packing material carefully for small parts that may have come loose inside the carton during shipment. Please read all instruction carefully before assembling. For your safety, assembly by two people is recommended.

#### PARTS INCLUDED:

- (1) Chair Back (C1)
- (1) Chair Seat (C2)
- (2) Leg (C3)

#### HARDWARE ENCLOSED:

- A x 2  Ø8 x 35mm
- B x 4  Ø8 x 45mm
- C x 4  Ø8 x 70mm
- D x 1  M4



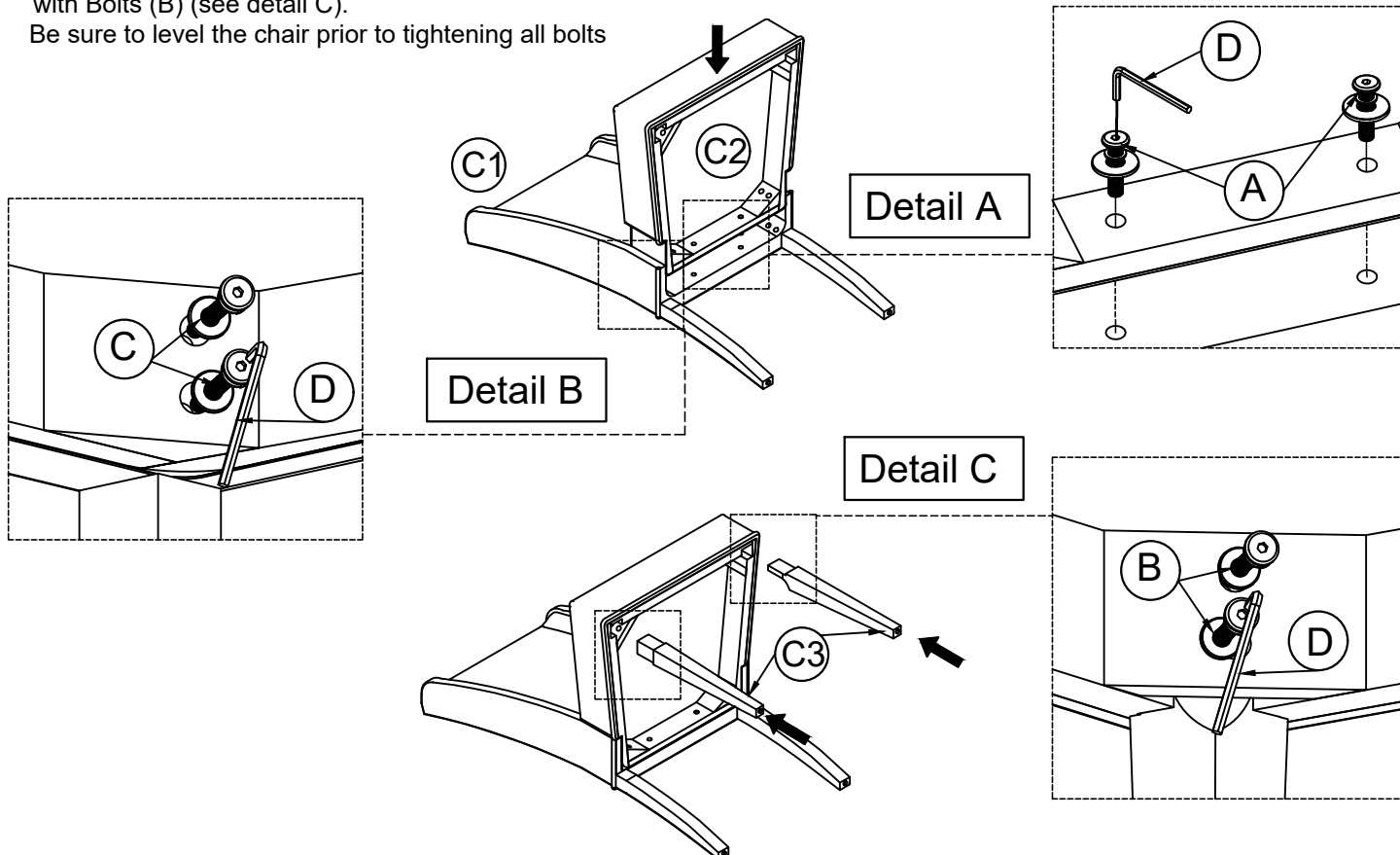
### ASSEMBLY INSTRUCTIONS

#### STEP 1:

- Carefully lay Chair Back flat on a smooth flat surface to prevent scratches.
- Affix cushion Seat to Backrest by inserting a Flat Washer, Lock Washer with Shortest Bolt (A) into each of the holes on the back rail of the seat, and Longest Bolt (C) into each holes of the Complete Seat corners. (See Detail A & B).
- DO NOT fully tighten at this stage until all the parts are in position

#### STEP 2:

- Affix each Leg (C3) to the front corners of the Seat cushion as shown in illustration. Place Flat Washer, Lock Washer with Bolts (B) (see detail C).
- Be sure to level the chair prior to tightening all bolts



**NOTES:**  
The use of power tools for assembly is not recommended. Power tools can damage hardware or split wood.