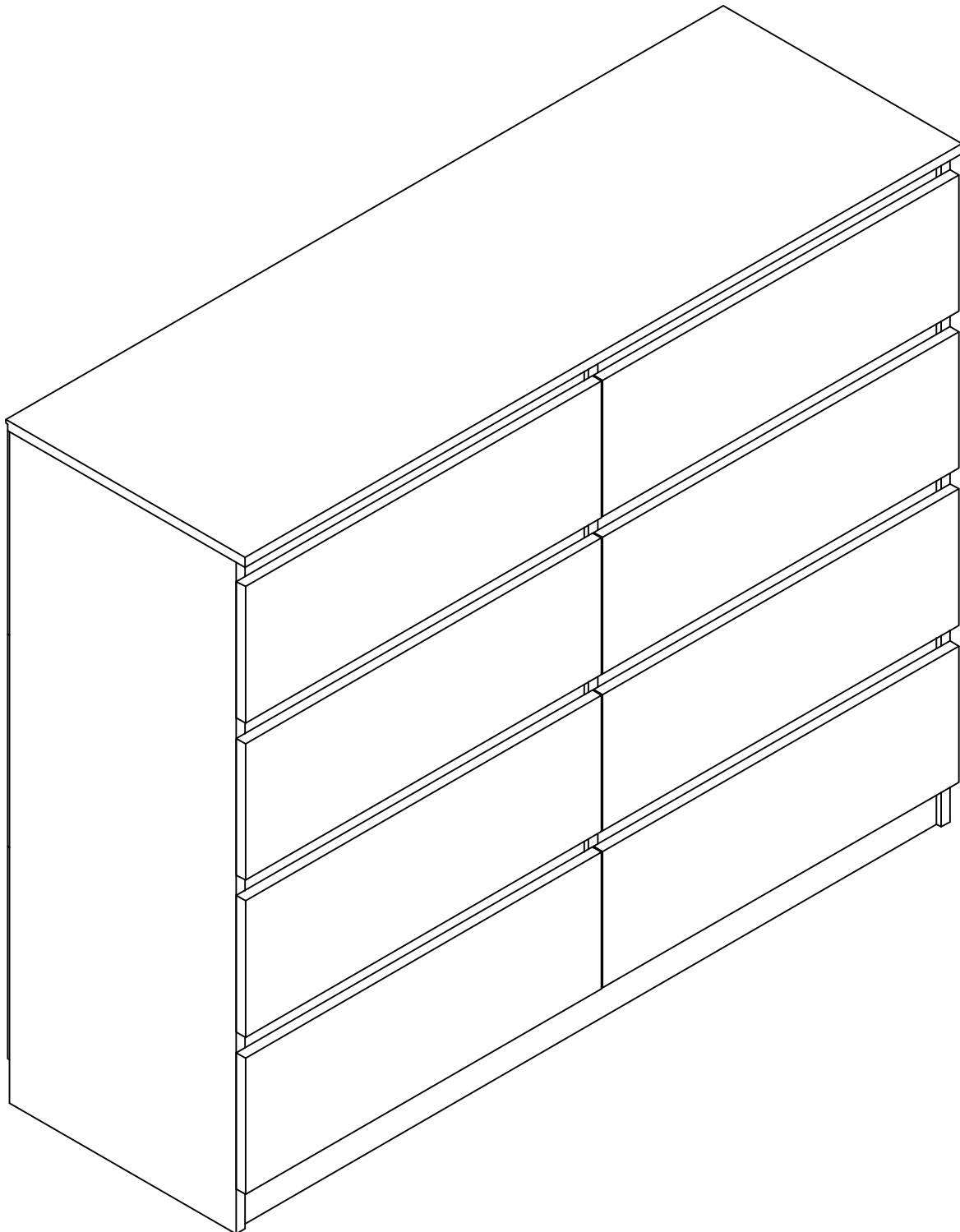


4+4 DRAWER CHEST

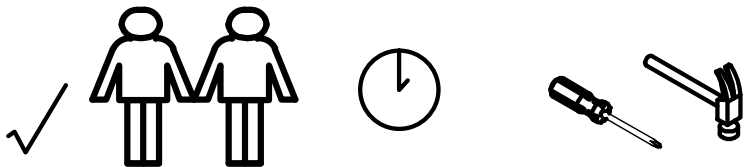
ASSEMBLY INSTRUCTION - Please Keep For Future Reference



Safety and Care Advice

IMPORTANT - Please Read This Instruction Carefully Before Assembly.

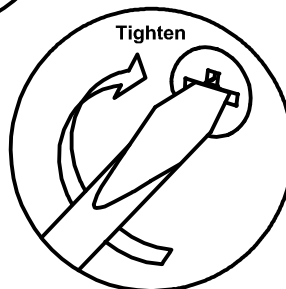
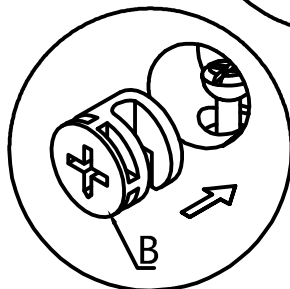
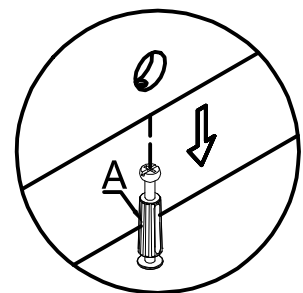
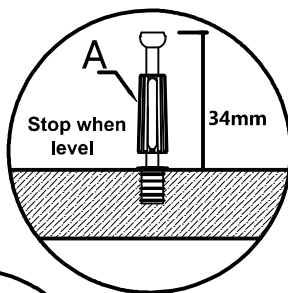
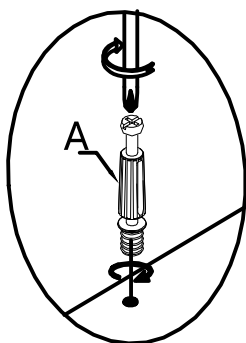
- Check you have all the components and tools listed on page 3.
- Do not stand or put weight on the product, this could cause damage.
- Do not use power drill/drivers for assembly, or the unit may be damaged.
- Remove all settings from the plastic bags and separate them into their groups.
- Assemble the item as close to it's intended position (in the same room) as possible.
- Assemble on a soft level surface to avoid damaging the unit.
- Dispose of all packaging carefully and responsibly.
- Keep children and animals away from the work area, small parts could choke if swallowed.
- Assemble on a soft level surface to avoid damaging the unit.
- Parts of the assembly will be easier with 2 people.



CARE and MAINTENANCE

- Only clean using a damp cloth and mild detergent, do not use bleach or abrasive cleaners.
- From time to time check that there are no loose screws on this unit.
- This product should not be discarded with household waste. Take to your local authority waste disposal center.

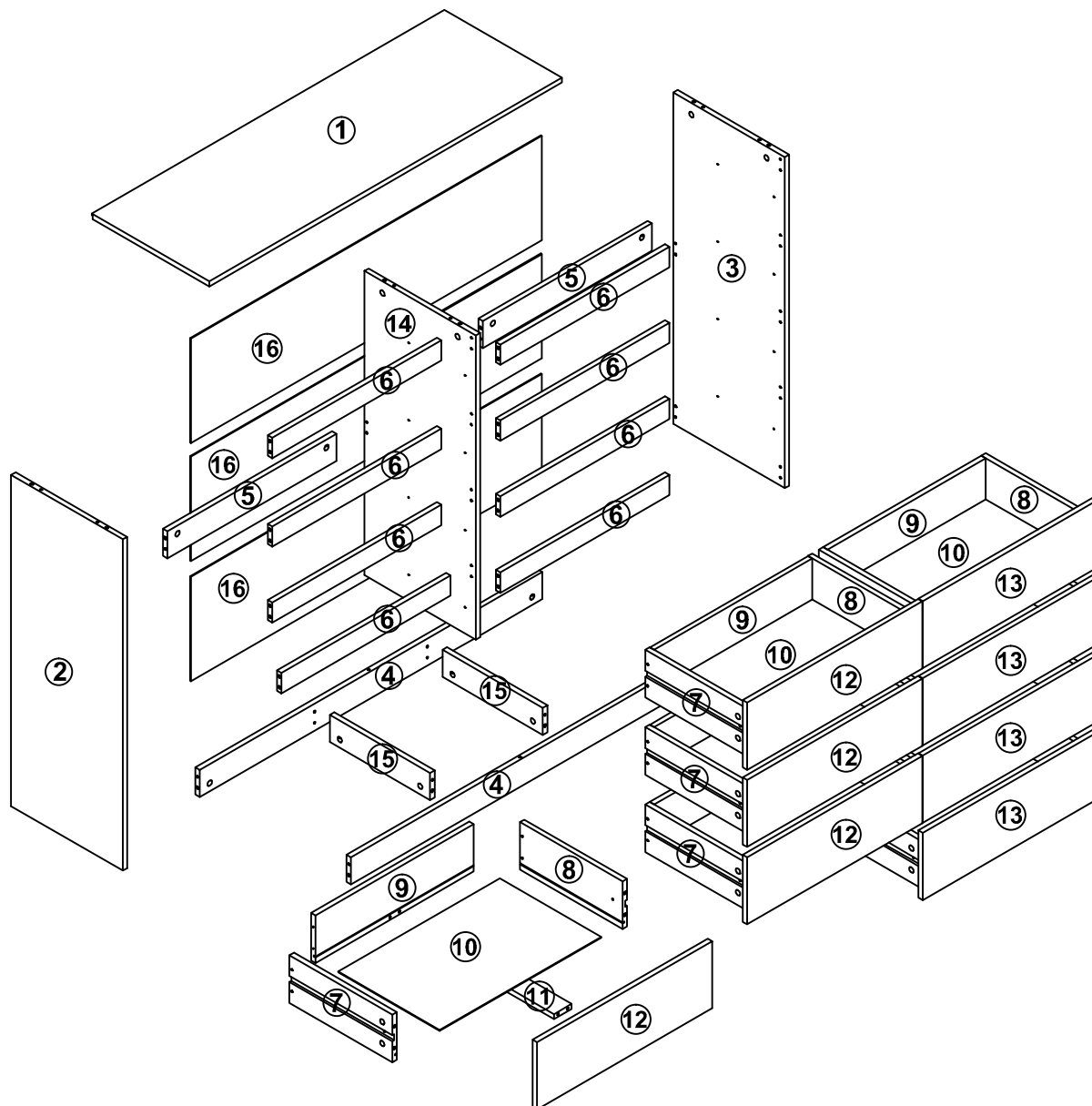
General Hints & Tips

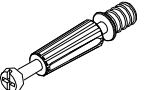
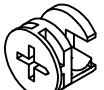
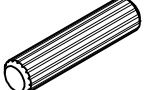
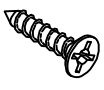



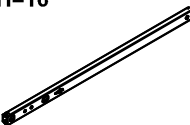



Components and Tools

IMPORTANT - Please Check If You Have All The Components and Tools.

Note: The quantities below are the correct amount to complete the assembly. In some cases more pieces may be supplied than are required.

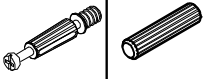


<p>A=82</p>  <p>Peg M6*34mm</p>	<p>B=82</p>  <p>Lock M15*12mm</p>	<p>C=54</p>  <p>Dowel M6*30mm</p>	<p>D=32</p>  <p>Screw M3.5*14mm</p>	<p>E=32</p>  <p>Screw M4*38</p>	<p>F=8</p>  <p>Plastic Feet</p>
<p>G=20</p>  <p>Pin</p>	<p>H=16</p>  <p>Drawer Runner</p>	<p>J=16</p>  <p>Screw M4*12mm</p>			

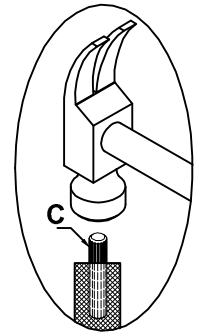
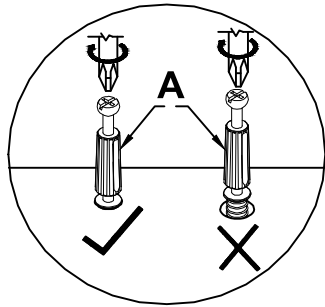
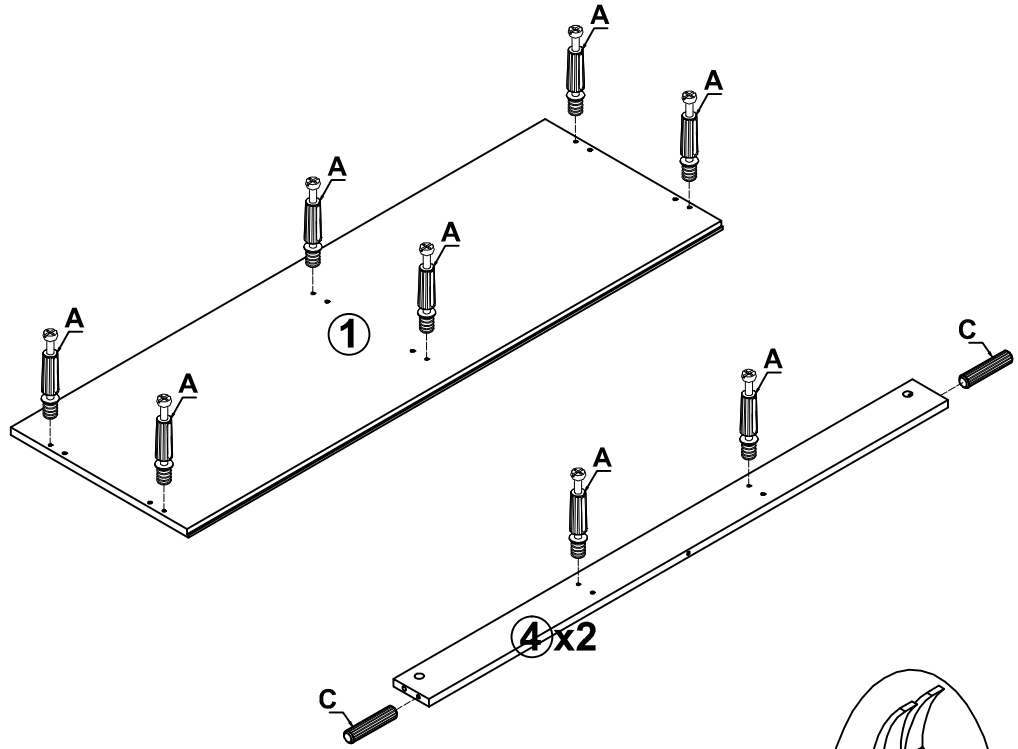
Assembly Instruction

Step 1

A=10 C=4

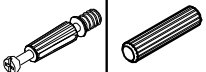


Peg
Dowel

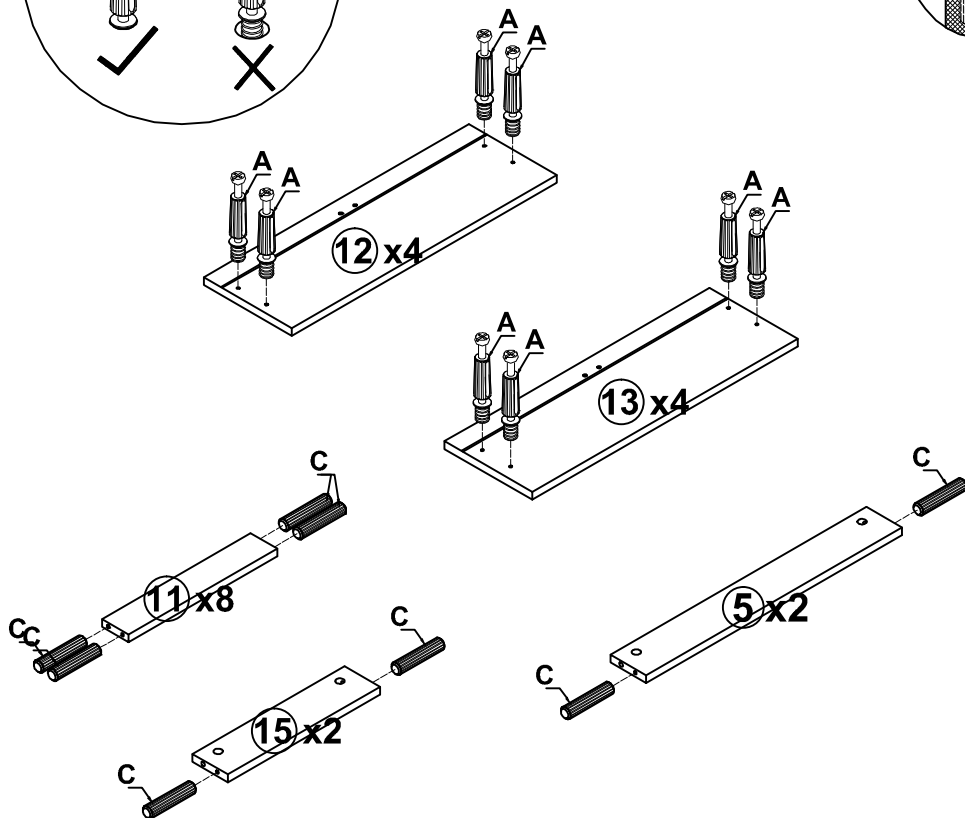


Step 2

A=32 C=40

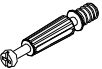





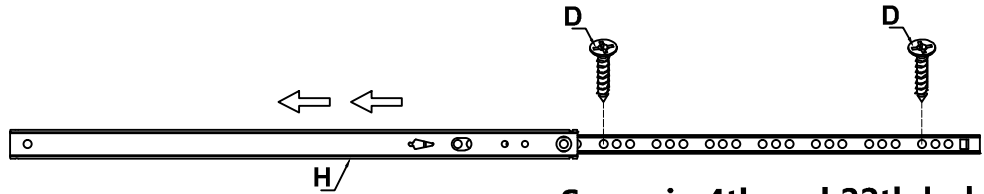
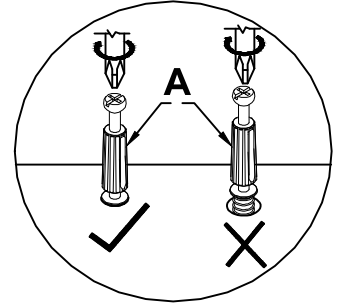
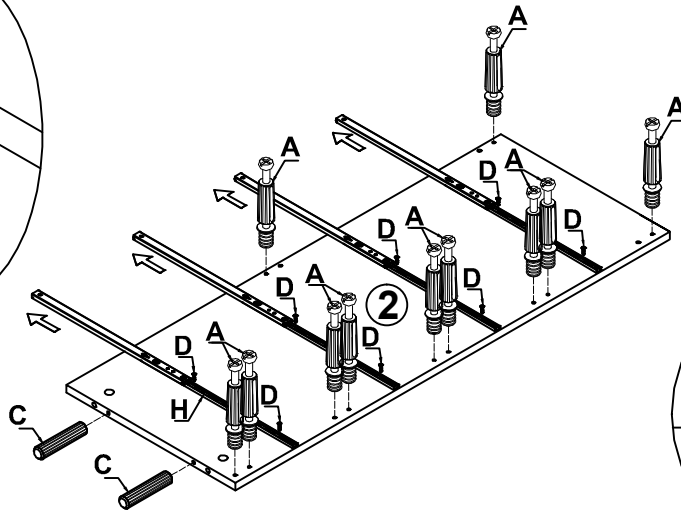
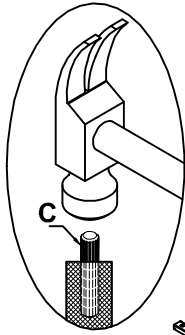
Peg
Dowel



Assembly Instruction





Step 3

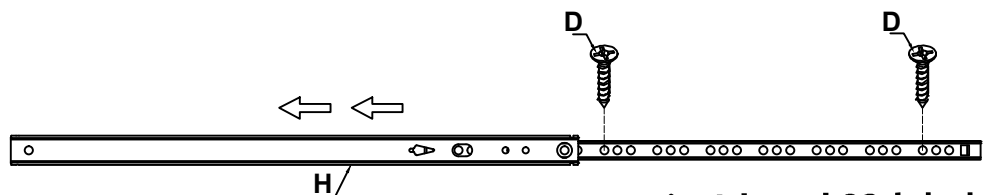
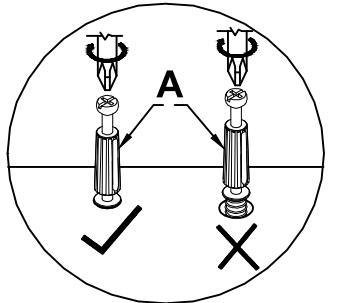
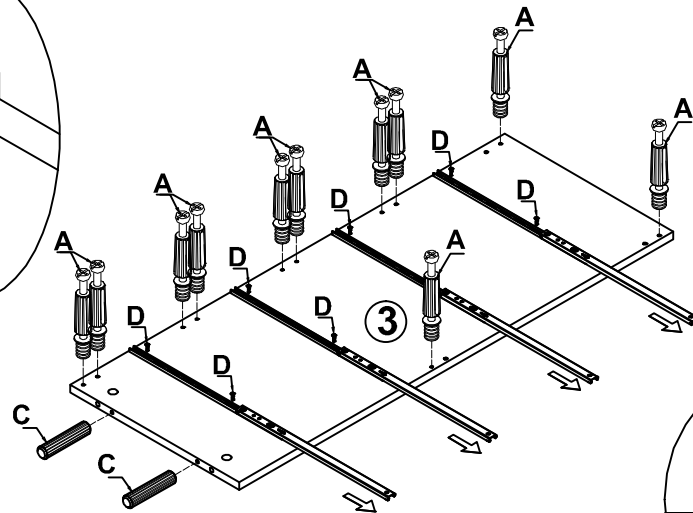
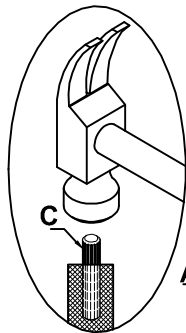
A=11	C=2
	
Peg	Dowel
H=4	D=8
	
Drawer Runner	Screw M3.5*14mm



Screw in 4th and 22th holes.

Step 4

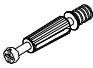



A=11	C=2
	
Peg	Dowel
H=4	D=8
	
Drawer Runner	Screw M3.5*14mm

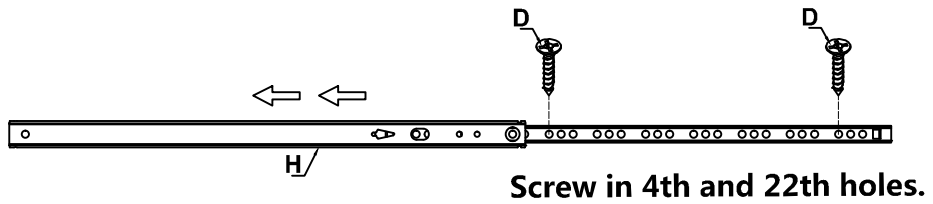
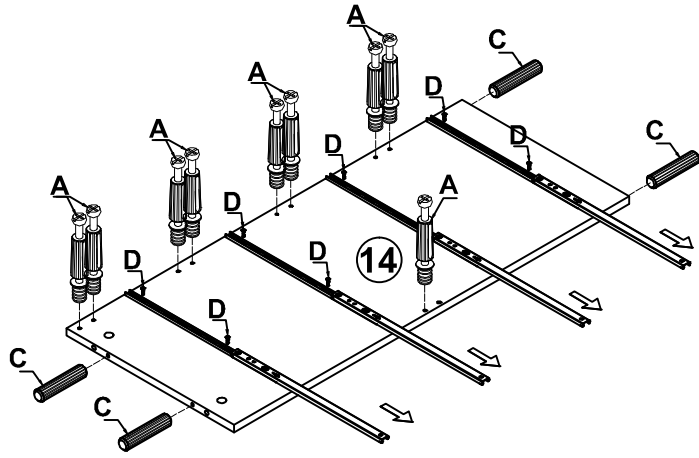


Screw in 4th and 22th holes.

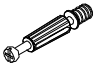


Assembly Instruction

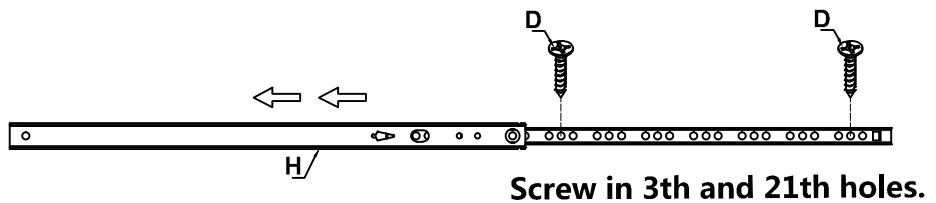
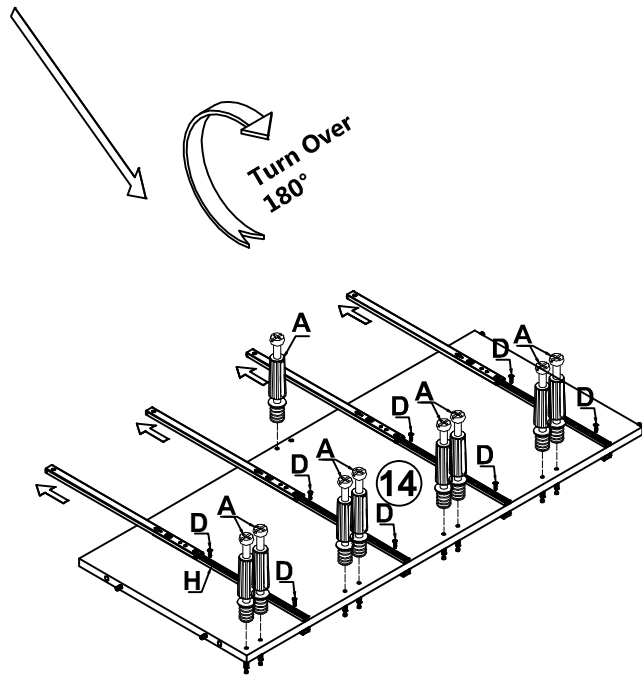
Step 5

A=9	C=4
	
Peg	Dowel
H=4	D=8
	
Drawer Runner	Screw M3.5*14mm



Step 6

A=9	H=4
	
Peg	Drawer Runner
D=8	
	
Screw M3.5*14mm	



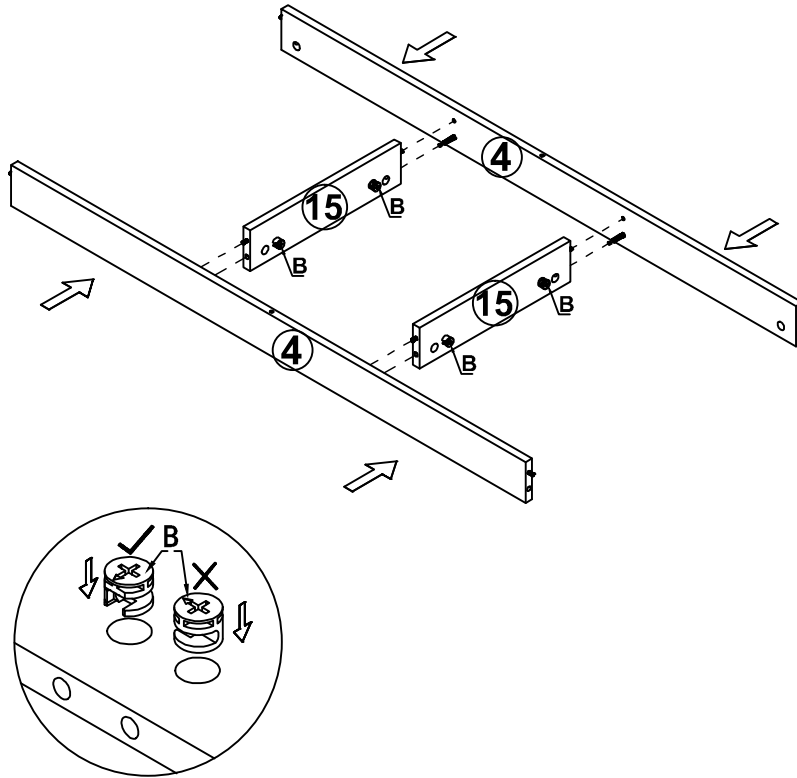
Assembly Instruction

Step 7

B=4



Lock

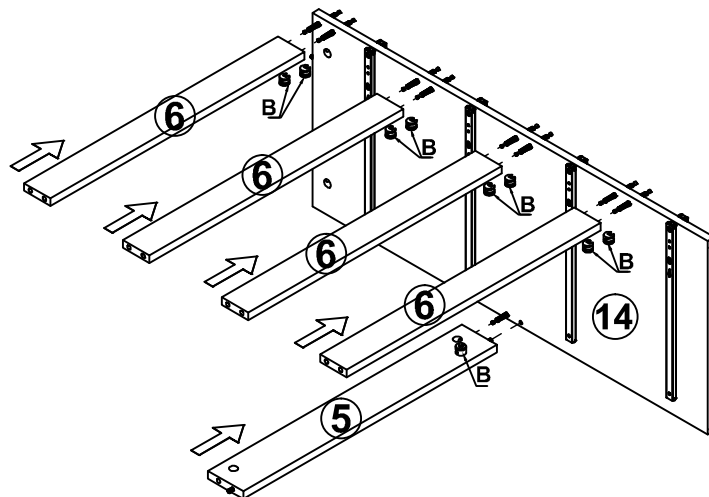


Step 8

B=9



Lock



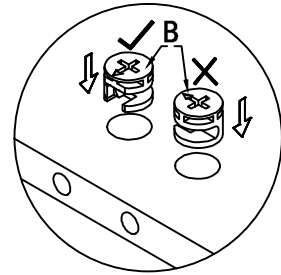
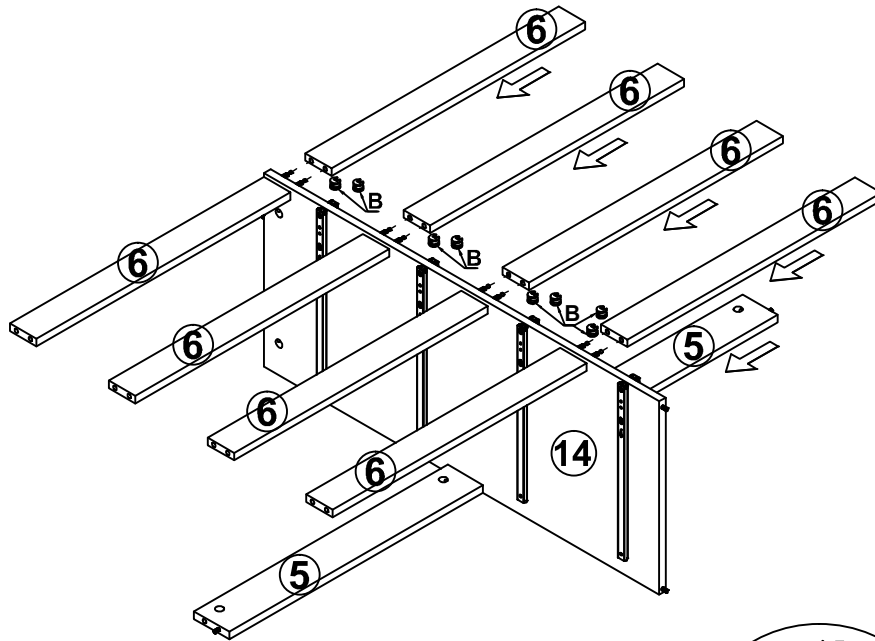
Assembly Instruction

Step 9

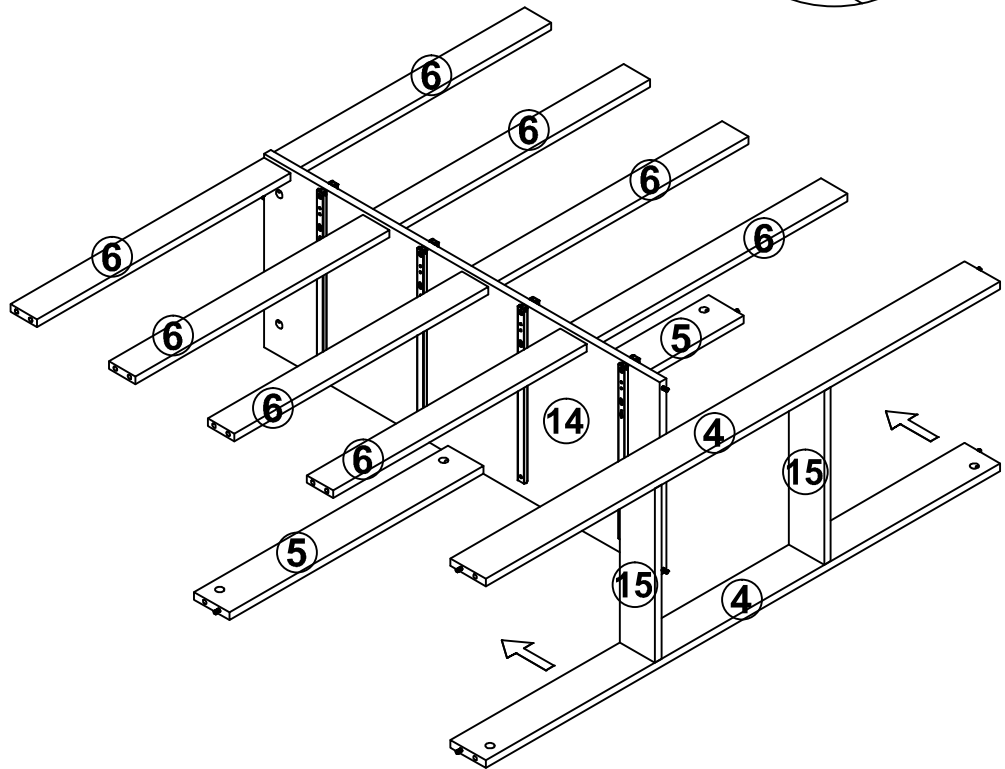
B=9



Lock



Step 10



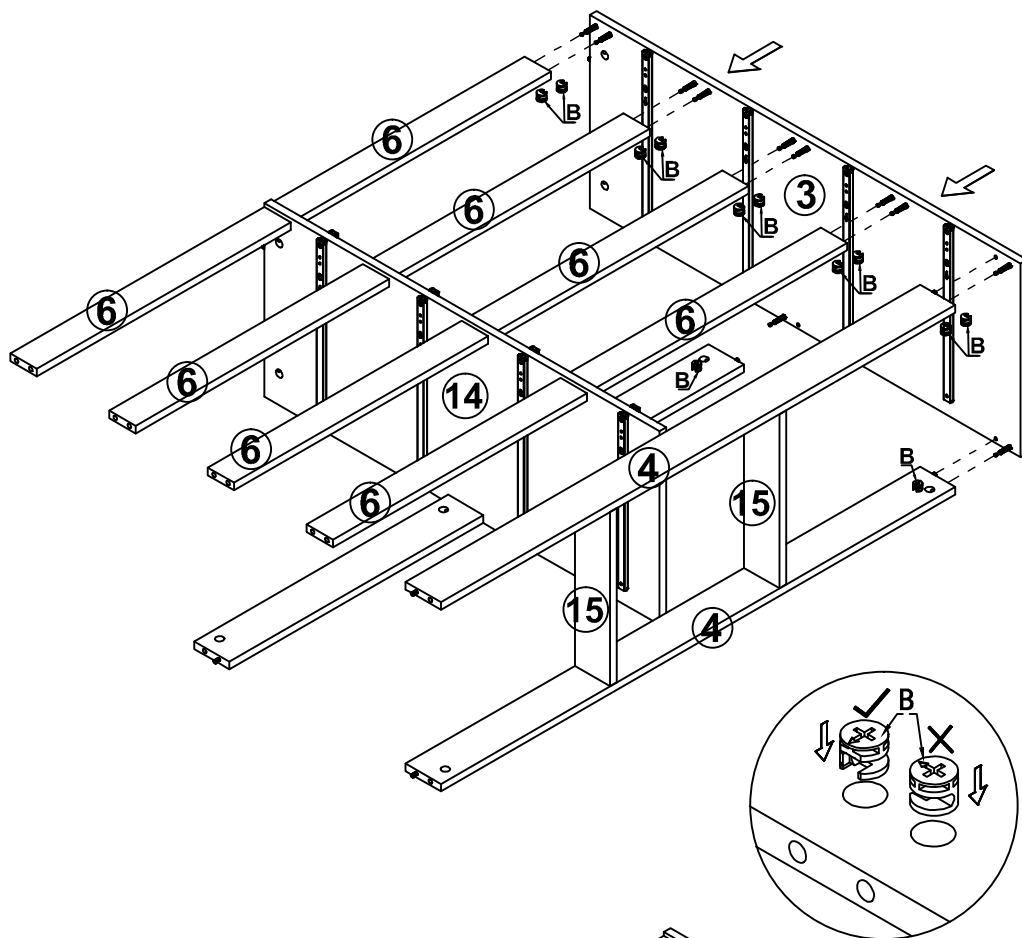
Assembly Instruction

Step 11

B=11



Lock

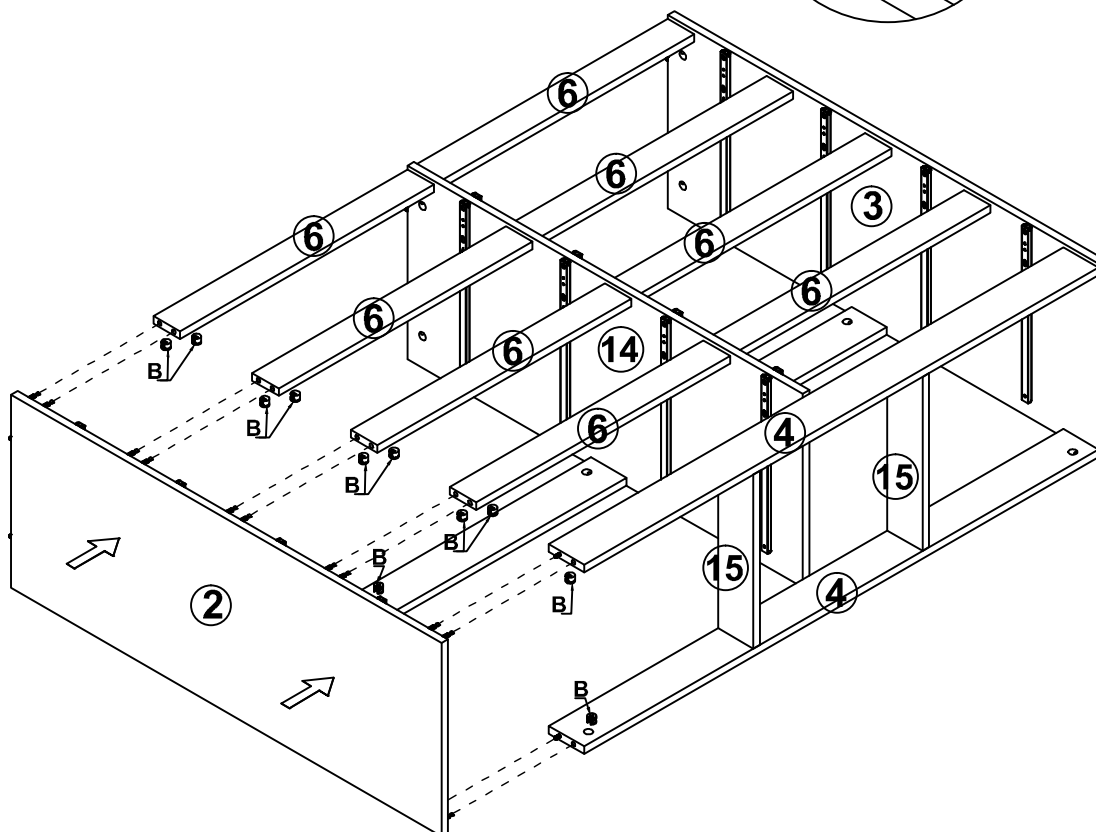


Step 12

B=11



Lock



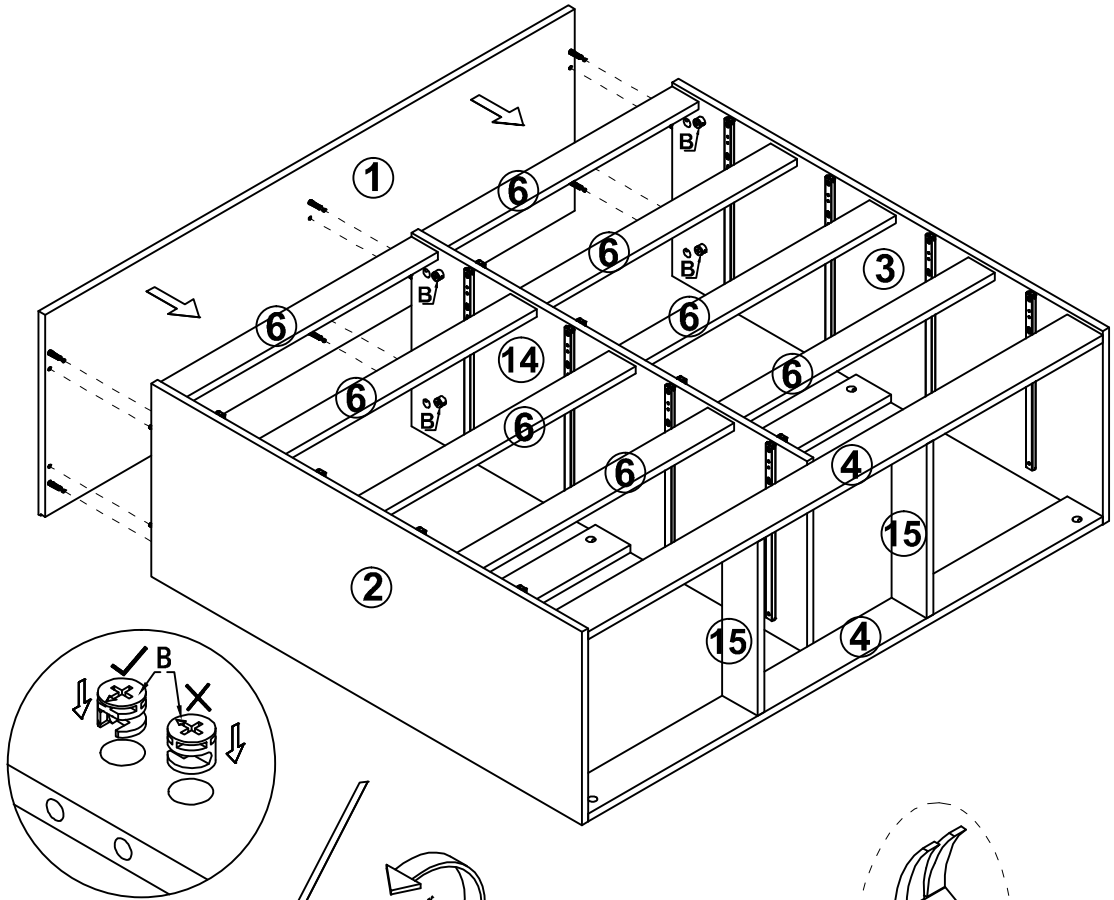
Assembly Instruction

Step 13

B=6



Lock



Step 14

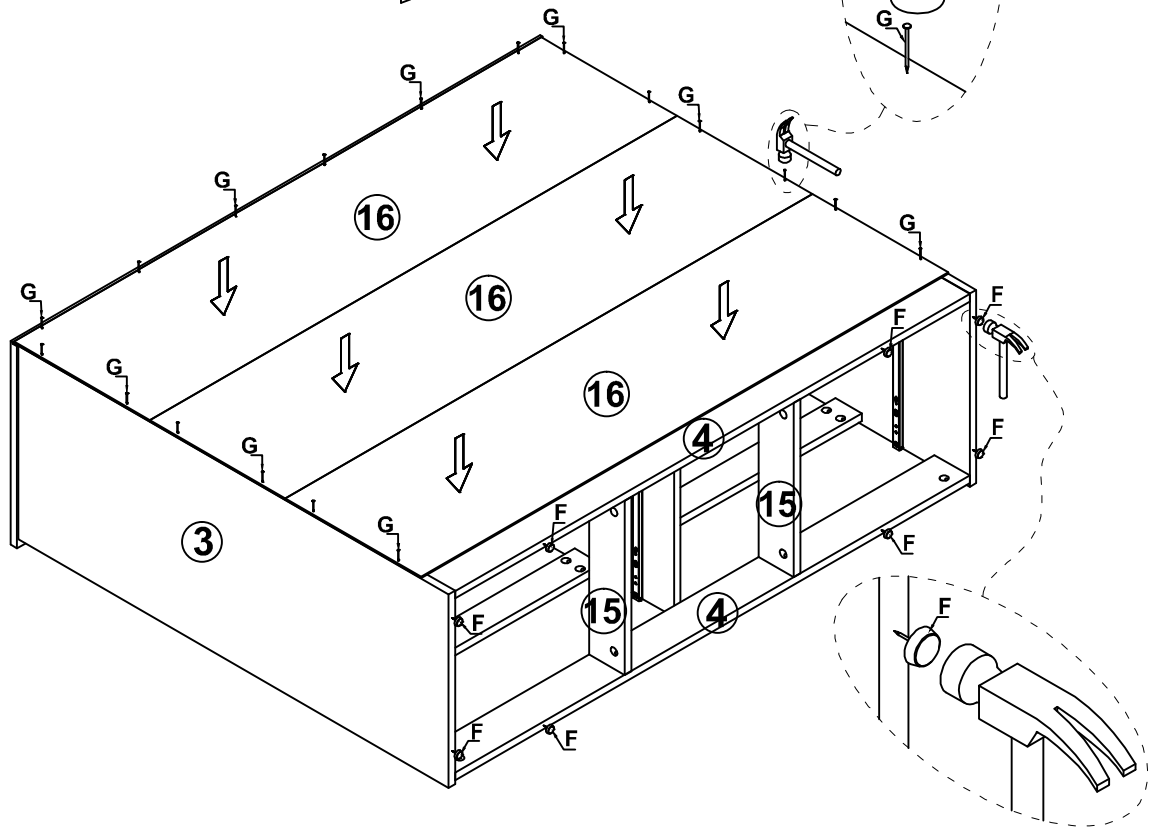
G=18

F=8



Pin

Plastic
Feet



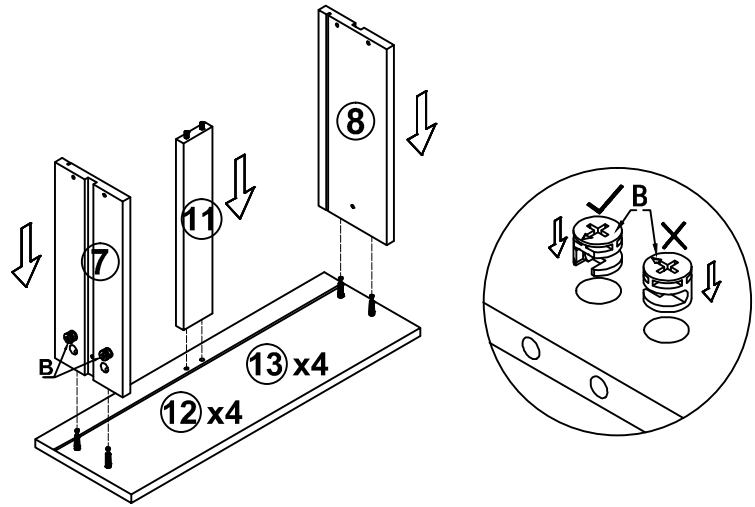
Assembly Instruction

Step 15

B=32



Lock

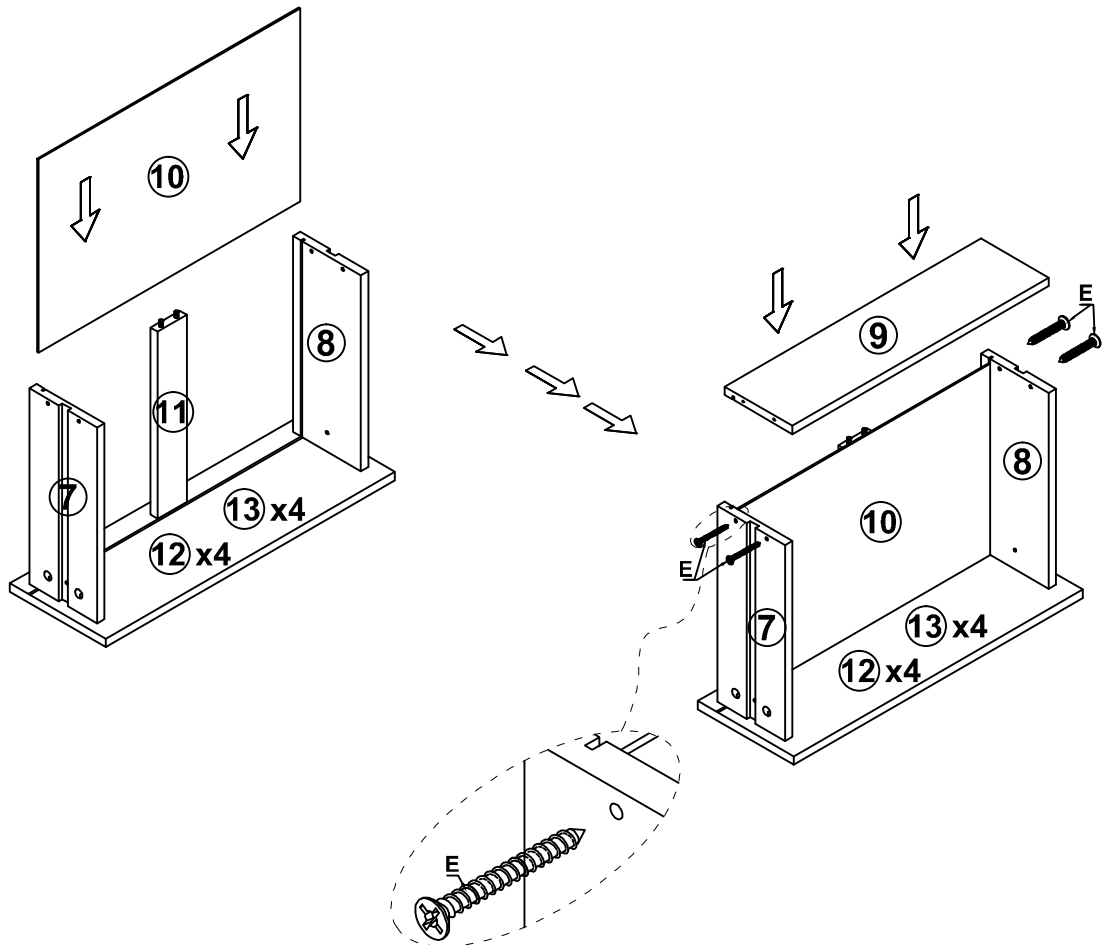


Step 16

E=32

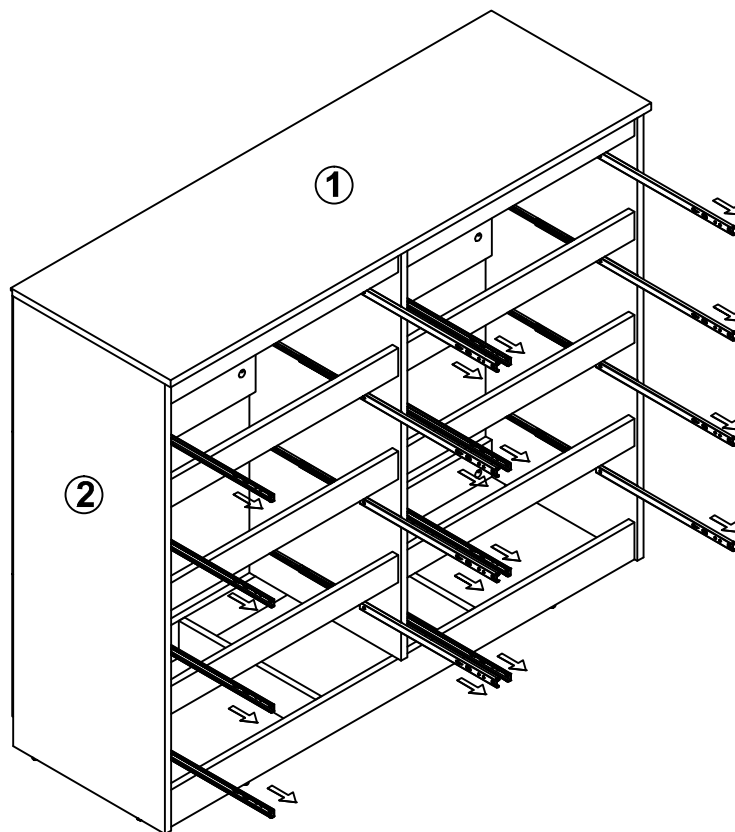


Screw
M4*38

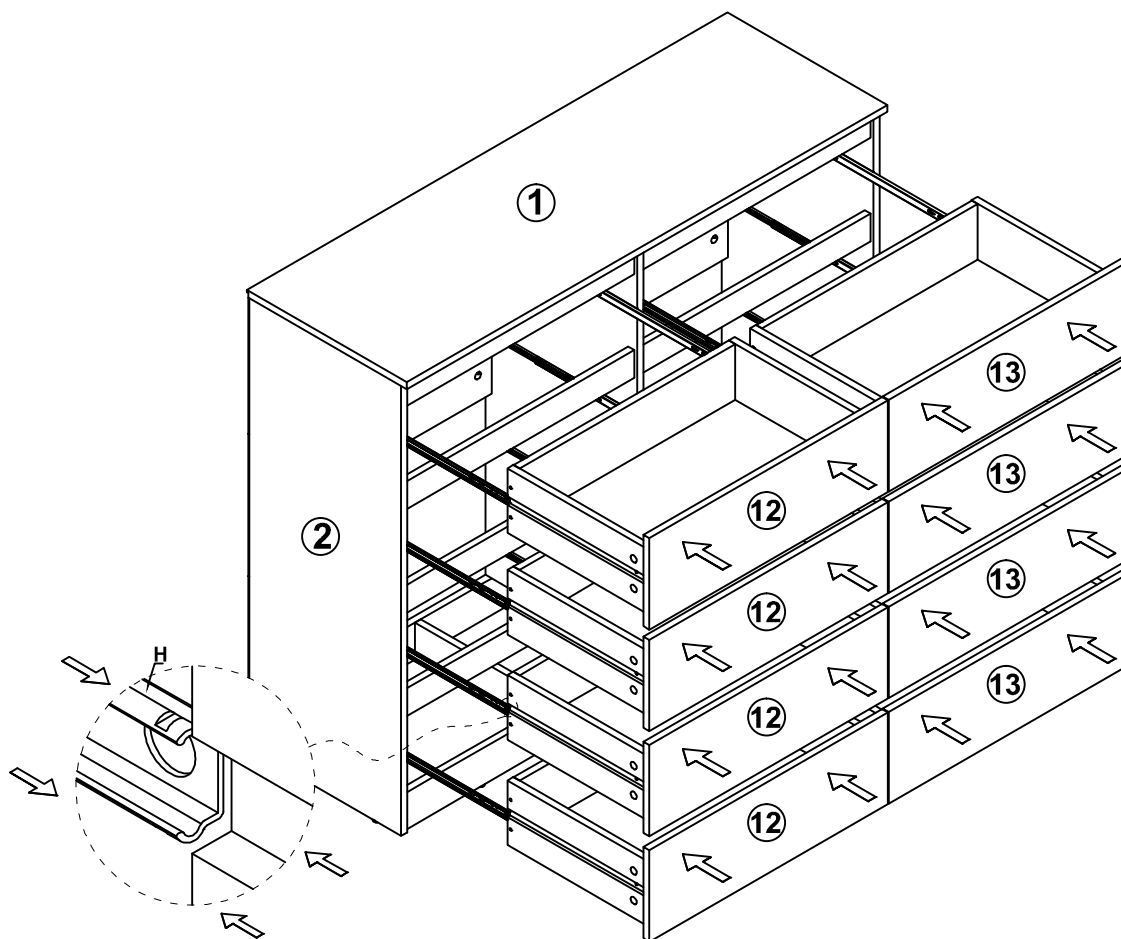


Assembly Instruction

Step 17



Step 18



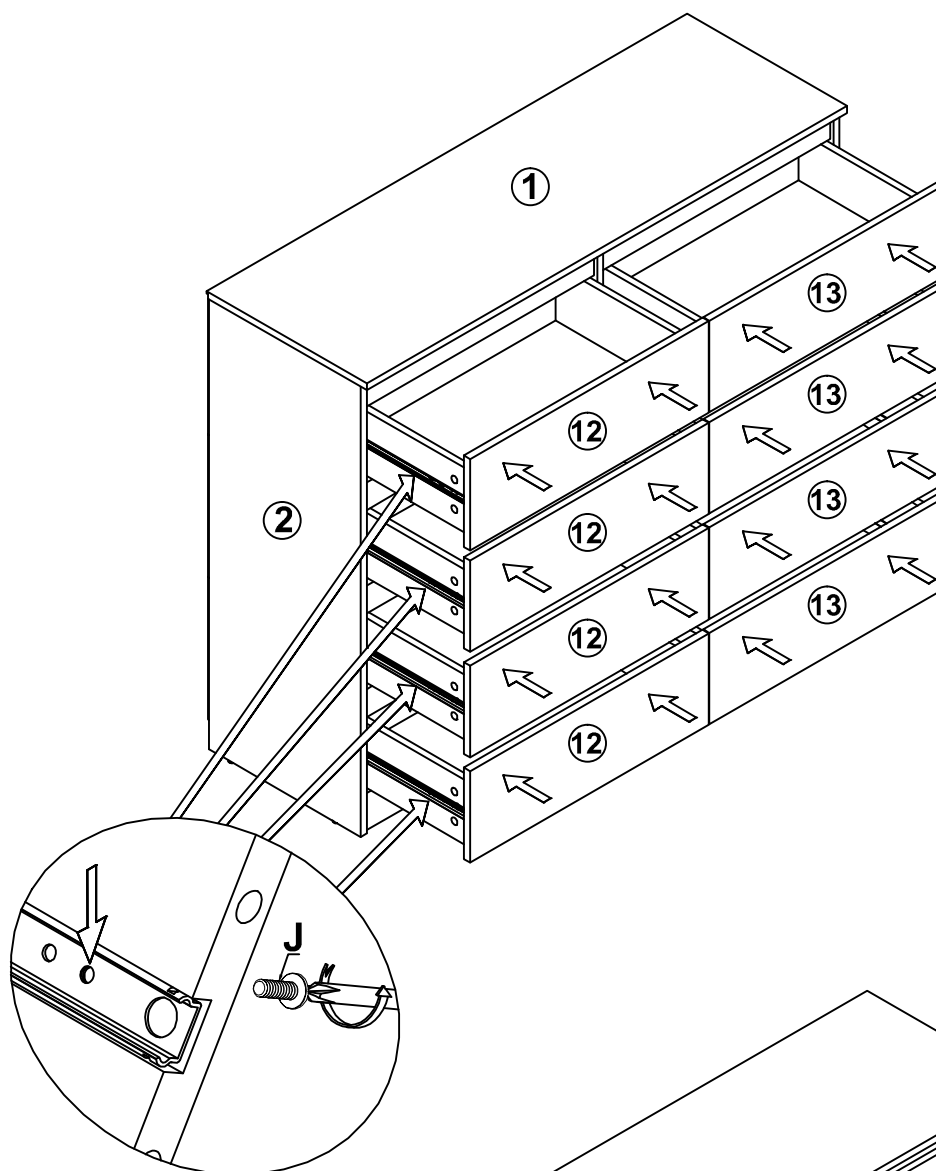
Assembly Instruction

Step 19

J=16



Screw
M4*12mm



Step 20

