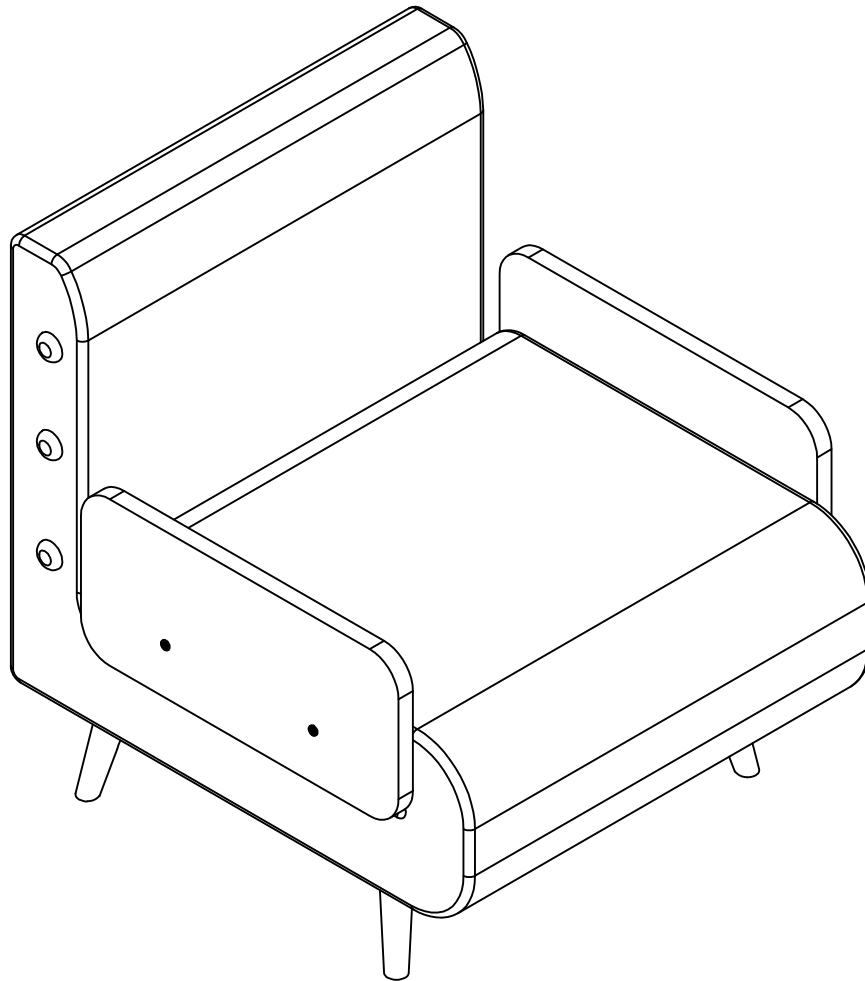
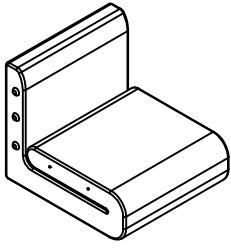
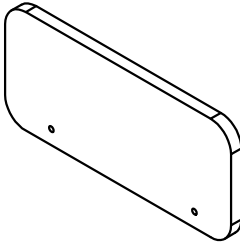
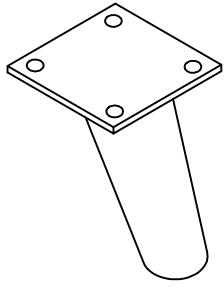



Assembly Guide

sofa bed






PARTS LIST

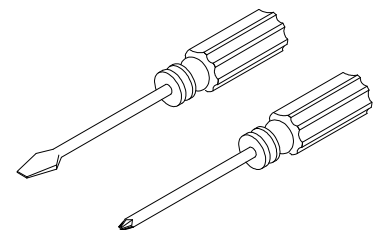
① 	② 	③ 	④ 
sofa=1	armrest=2	feet=4	Only the 1.5m size of this sofa is fitted with a middle foot=1

Tips: Do not throw away packing materials until assembly is complete for small parts may come loose inside the carton during shipment. If parts are missing, please contact us. Assemble this item on a soft surface, such as carpet to protect the finish.

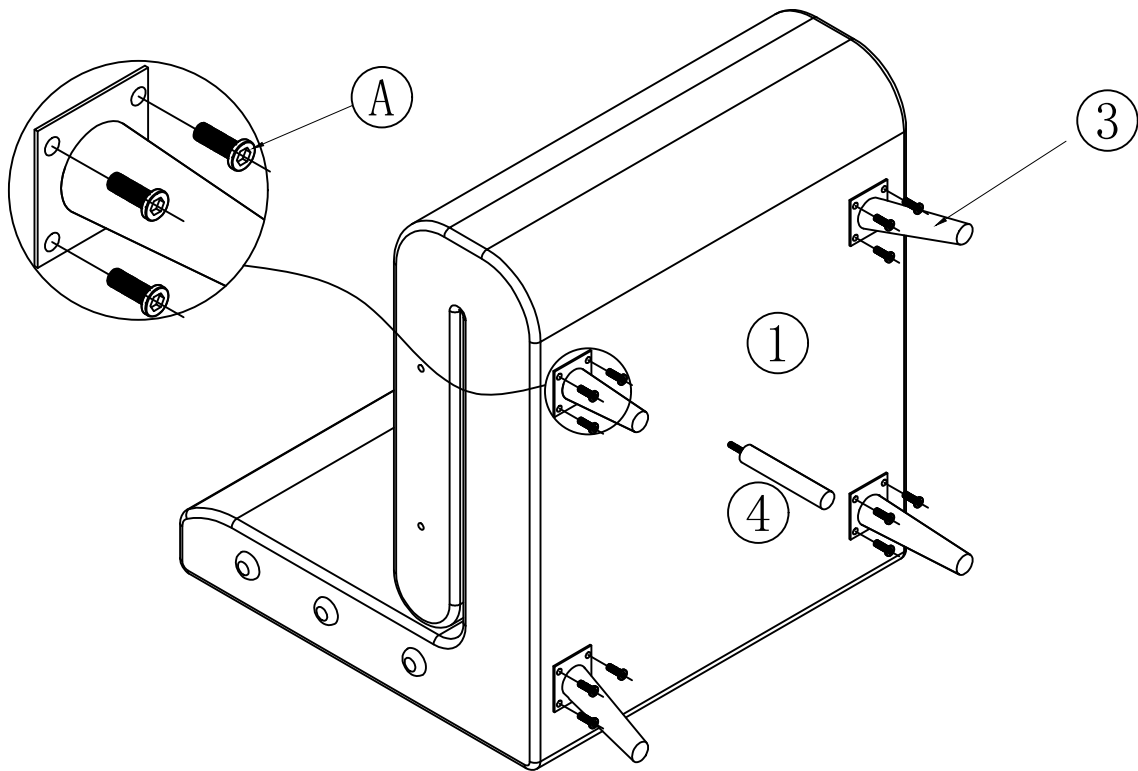
HARDWARE LIST

A 	B 	C 
M8*15 hexagon socket screws=17	M8*30 hexagon socket screws=4	hexagon wrench=1

phillips head screw driver required
for assemble---not include



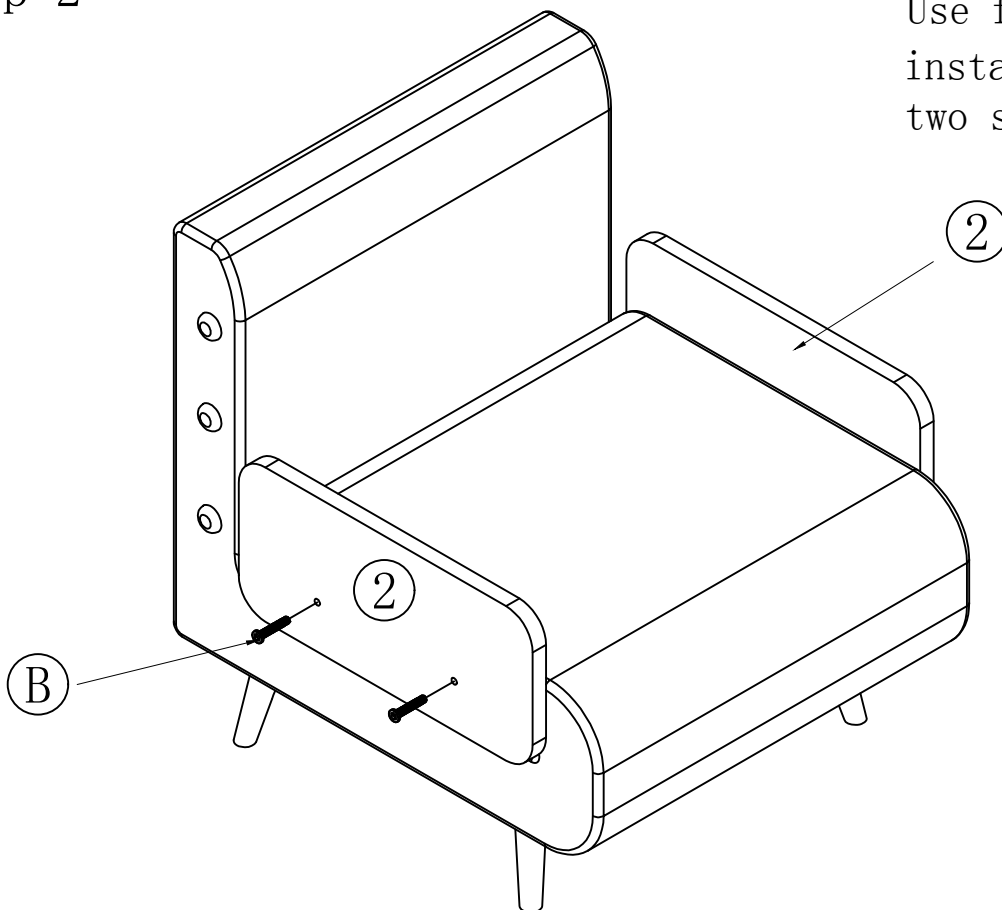
Step 1



Use four pcs(A) to install ③sofa feet.

Noted: The sofa of 1.5m is fitted with a ④middle foot.

Step 2



Use four pcs(B) to install ②armrest on the two sides of sofa.