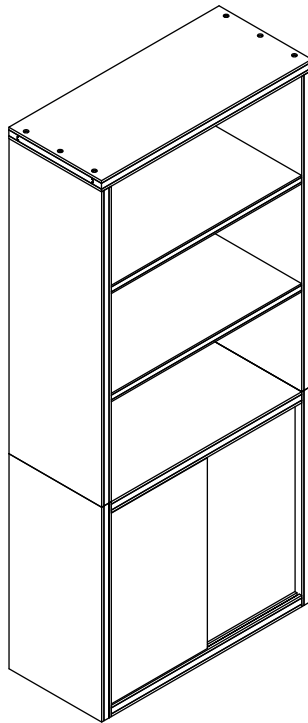


# ELANNA WOOD 4 SHELF BOOKCASE

DESIGN# SFV4253

Assembly Instructions



**SAFAVIEH**  
C O U T U R E

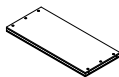
# Thanks for bringing Safavieh Couture into your home

Everything we make is incredibly simple to set up, including your new bookcase. You won't need any additional tools.

## Parts List

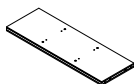
A x 1

Top panel



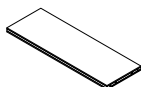
B x 1

Left side panel



C x 1

Right side panel



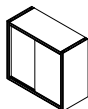
D x 2

Shelves



E x 1

Base



## Hardware List

HW1 x 14

Bolt M6x40mm



HW2 x 4

Metal thread 8x90mm



HW3 x 12

Semicircle washer



HW4 x 1

Allen key



HW5 x 16

Wooden dowel



HW6 x 4

Nut M8



HW7 x 6

Flat Washer 6x14mm



HW8 x 6

Spring washer 6x10mm



HW9 x 1

Wrench M4



HW10 x 4

Plastic Brackets



HW11 x 2

Restraint straps



HW12 x 4

Screws 4x20mm



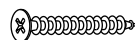
HW13 x 4

Plastic anchors



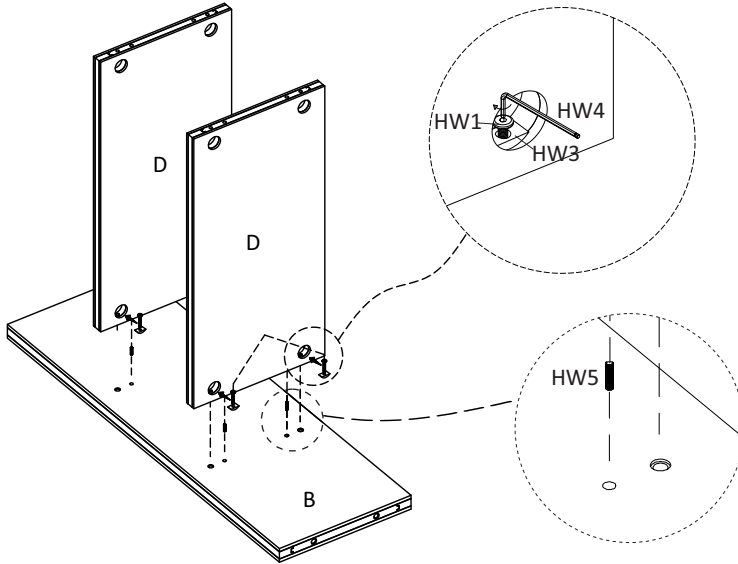
HW14 x 4

Screws 4x40mm



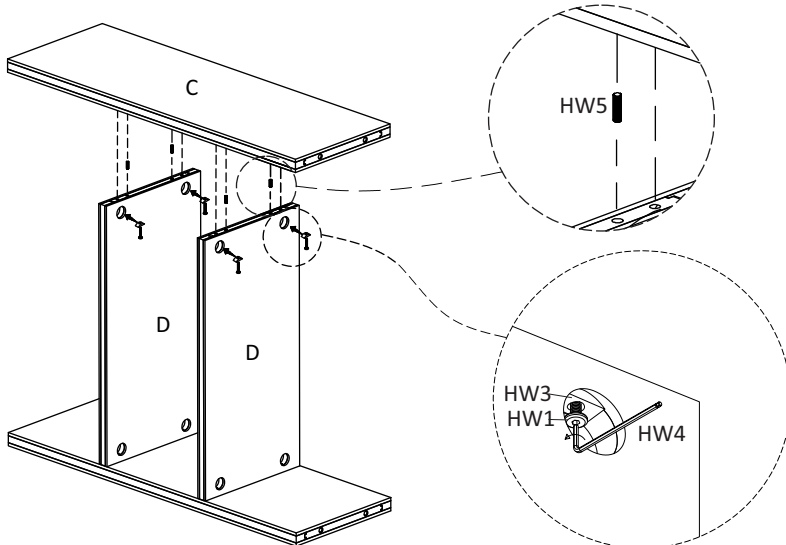
1

Insert one end of the Dowels (HW5) into the ends of the Shelves (D) and the other end into the Left side panel (B). Place the Semicircle washer (HW3) on the Bolts (HW1). Insert the Bolts (HW1) with the washers (HW3) into the holes in the Shelves (D) as shown below. Attach them by using the Allen Key (HW4) to screw in the bolts (HW1) with the washers.



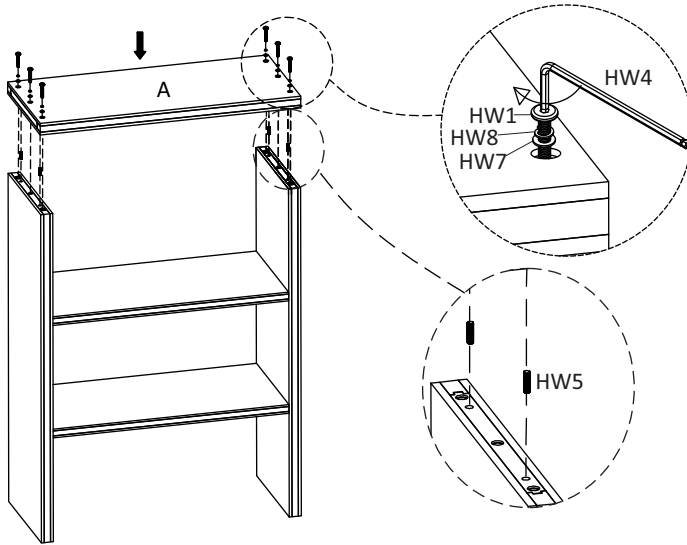
2

Repeat steps 1 to attach the Right side panel (C) to the other side of the Shelves (D).



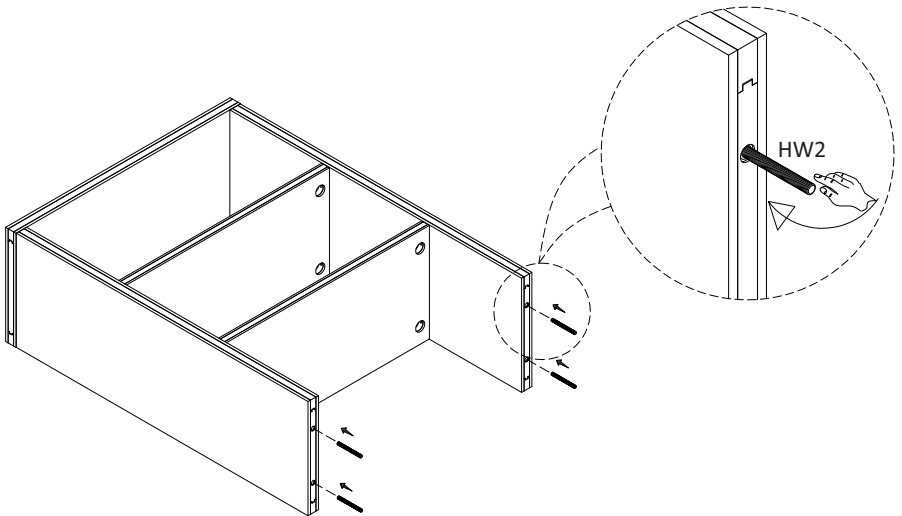
3

Insert one end of the Dowels (HW5) into the top of the assembled shelves and the other end into the Top panel (A) as shown below. Place the Spring Washer (HW8) and Flat Washer (HW7) on the bolts (HW1) as shown. Attach the assembled shelves to the Top panel (A) by using the Allen Key (HW4) to screw in the Bolts (HW1) with the washers shown below.



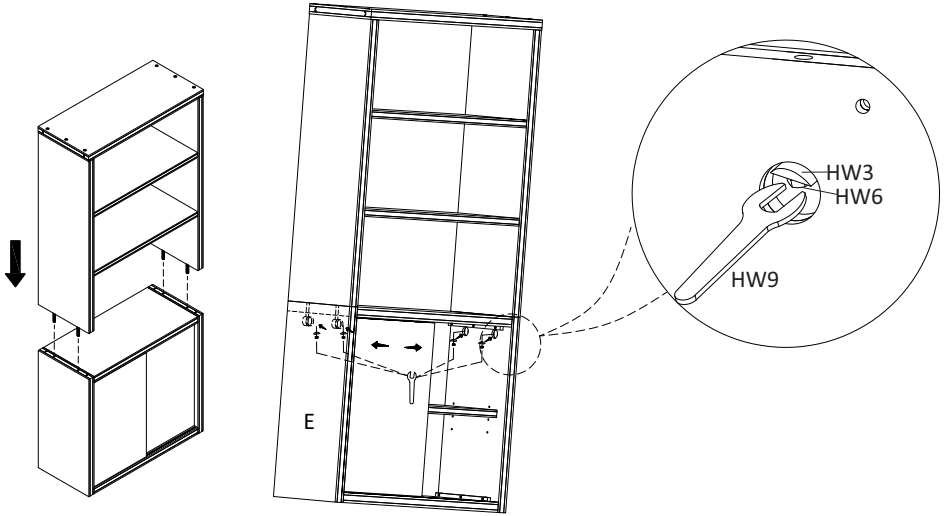
4

Attach the Metal threads (HW2) to the both Side panel (B & C) as shown.



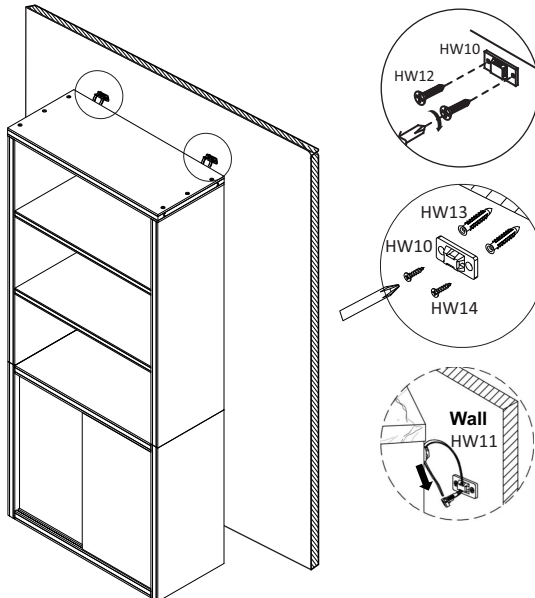
5

Attach the Base (E) to the assembled upper bookcase by placing the Metal threads through the holes on the Base (E). Screw the Semicircle washers (HW3) onto the Metal threads. Then use the Wrench (HW9) to screw on the Nuts (HW6).

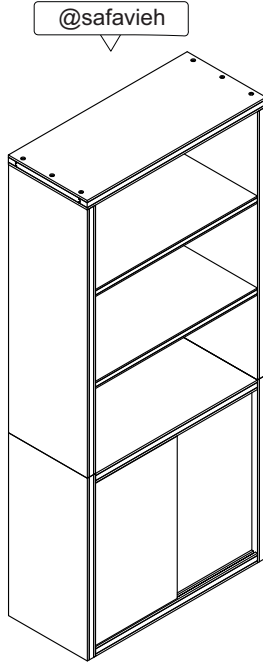


6

To help prevent the possibility of tipping over, install the tip over restraint kit provided.



Place the bookcase in the place where you will use it. We'd love to see it – just tag us (we're @safavieh) and use the hashtag #safavieh on Instagram!





**Need help?**

Feel free to contact us via email or call  
if you have any specific questions!

**contact us:**

[cs@safavieh.com](mailto:cs@safavieh.com)

866-422-9070