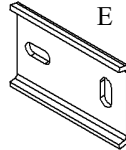
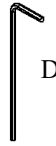
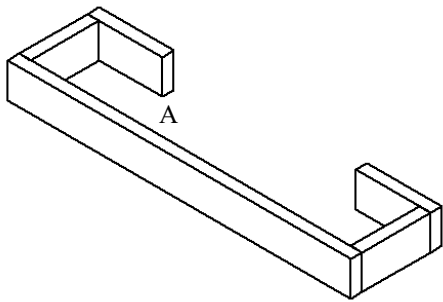


# 12" Towel Bar Installation Guide



Parts Included	QTY
A - Towel Bar	1
B - Screw	4
C - Set Screw	2
D - Allen Key	1
E - Bracket	2

Description	Finish	Weight (lb)	WxHxD (mm)	WxHxD (Inches)	Metal Type
12" Towel Bar	Chrome	2.5	300 x 30 x 80	12 x 1 x 3	Brass
12" Towel Bar	Brushed Nickel	2.5	300 x 30 x 80	12 x 1 x 3	Brass
12" Towel Bar	Matte Black	2.5	300 x 30 x 80	12 x 1 x 3	Brass
12" Towel Bar	Brushed Gold Light	2.5	300 x 30 x 80	12 x 1 x 3	Brass
12" Towel Bar	Brushed Gold Dark	2.5	300 x 30 x 80	12 x 1 x 3	Brass

**Warranty:** 2 Years

**Care & Maintenance:** A periodic wash using warm water and a soft cloth will retain the high quality finish of your product for many years to come. ON NO ACCOUNT should any household bleaches, detergents, abrasive polishes, steel wool or other cleaning agents be used on this item.

