

# ASSEMBLY AND INSTALLATION INSTRUCTIONS

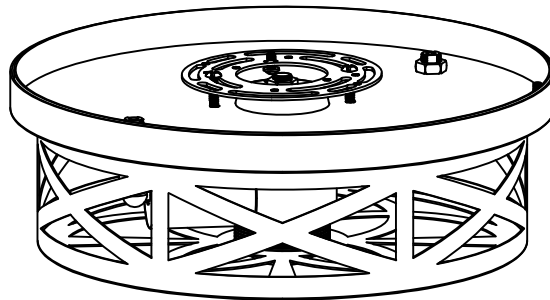
Item No: HWXDD005-2-GY

WARNING: TO AVOID RISK OF ELECTRICAL SHOCK, BE SURE TO SHUT OFF POWER WHILE INSTALLING OR SERVICING THIS FIXTURE.

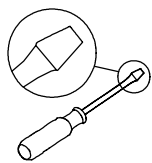
## NOTES:

1. Before installing, consult local electrical codes for wiring and grounding requirements.
2. Read and save these instructions.
3. Always switch off the electricity supply and allow to cool for 10 minutes before changing the light bulbs.

## 2-LIGHT OUTDOOR CEILING LIGHT



## TOOLS REQUIRED



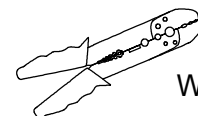
Flathead  
Screwdriver



Phillips  
Screwdriver



Ladder



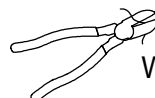
Wire Strippers



Pliers



Electrical  
Tape



Wire Cutters



Safety Glasses

## PREPARATION

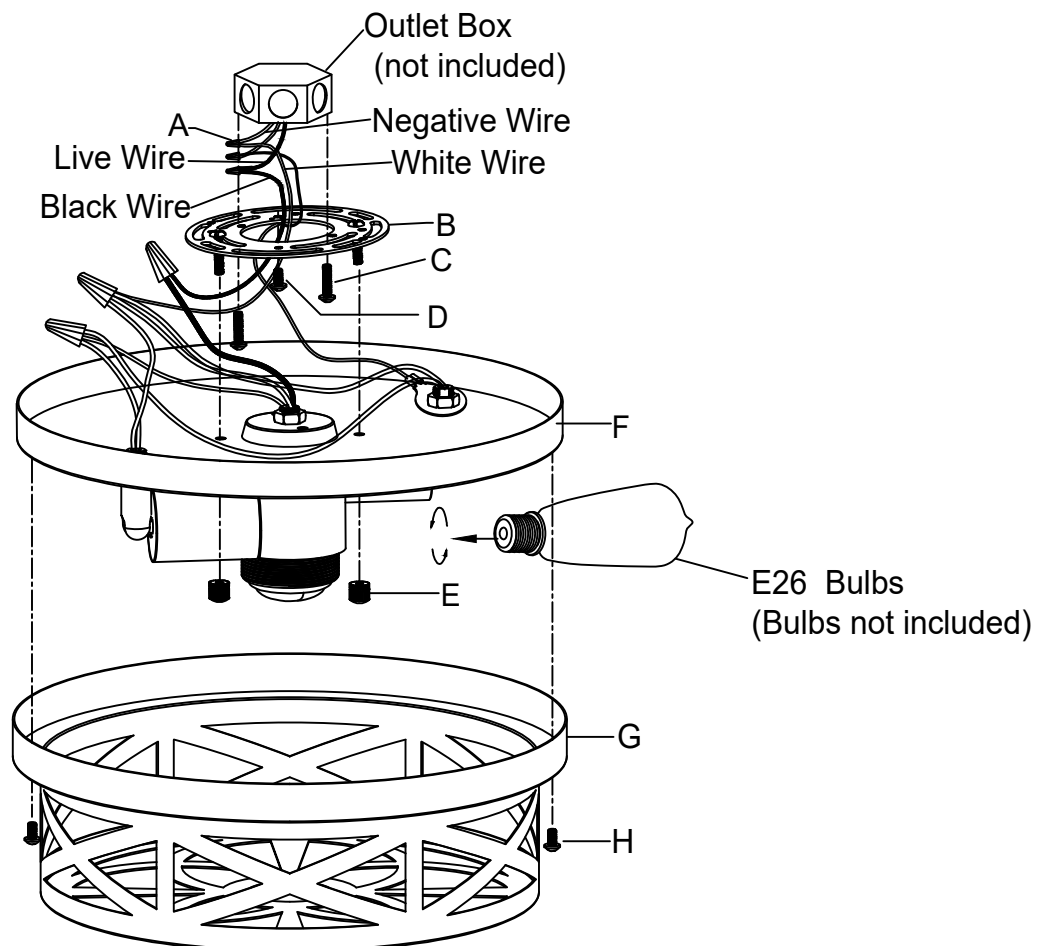
Before beginning assembly of product, make sure all parts are present. Compare parts with package contents list and hardware contents list. If any part is missing or damaged, do not attempt to assemble the product. When the lamp is not installed finish, please don't throw away the package, so as not to leave the parts in the package.

# PART LIST AND HARDWARE LIST

PIECE	DESCRIPTION	QUANTITY
A	Wire nut	3
B	Mounting plate	1
C	Outlet box screw	2
D	Green ground screw	1
E	Decorative Nuts	2
F	Fixture body	1
G	Hardware cover	1
H	Screwre	2

## INSTALLATION

1. Connect the mounting plate (B) to the junction box with the outlet box screw (C), and then fix it.
2. Connect the power circuit grounding wire (green or bare copper wire) to the fixture grounding wire, Black to (black) and white to (white).
3. Insert the fixture body (F) into the mounting plate (B). Lock with 2 decorative nuts (E)
4. Install two E26 A-type bulbs on the lamp holder (not included)
5. Put on the hardware cover (G) with two screws (H)



If you have any issues with use this product, please email us. Be sure to include your order number and photos of the issues. This will help us provide you with faster support and solve your problem.

 [lighting\\_service@outlook.com](mailto:lighting_service@outlook.com)