

# HEADBOARD

## ASSEMBLY INSTRUCTIONS

Before assembling your headboard, please read through these instructions carefully and familiarize yourself with the different parts.

### PARTS LIST

- ① HEADBOARD PANEL 2 PCS
- ② LEFT LEG 1 PC
- ③ RIGHT LEG 1 PC
- ④ TOP RAIL 1 PC
- ⑤ MID RAIL 1 PC
- ⑥ BOTTOM RAIL 1 PC

Instructions apply for bed sizes  
TWIN > FULL > QUEEN

### HARDWARE

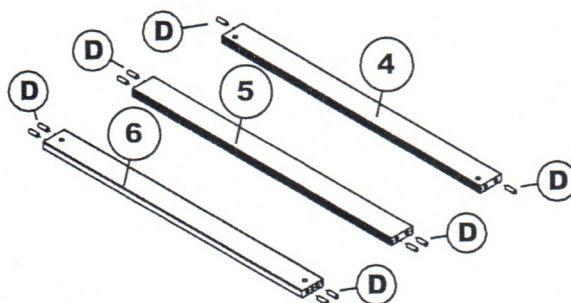
- Ⓐ JCB M6 X 110mm - 4 pcs  
Spare - 1 pc
- Ⓑ Barrel Nut - 4 pcs  
Spare - 1 pc
- Ⓒ JCB M8 X 15mm ( 5/8" ) - 4 pcs  
*Assembly headboard to open bed frame*
- Ⓓ Wood Dowel - 10 pcs  
Spare - 1 pc
- Ⓔ Allen wrench - 1pc  
Spare - 1pc

#### HARDWARE FOR METAL BED FRAME

- Ⓕ JCB M6 X 25mm (1") - 4 pcs  
Spare - 1 pc
- Ⓖ Flat washer - 4 pcs  
Spare - 1 pc
- Ⓗ Split washer - 4 pcs  
Spare - 1 pc

NOTE: WE INCLUDE SPARE HARDWARE IN CASE DAMAGE OCCURS DURING ASSEMBLY.

**Step 1** Insert all wooden dowels (D) into the locator holes on (4)(5) and(6) as shown below.



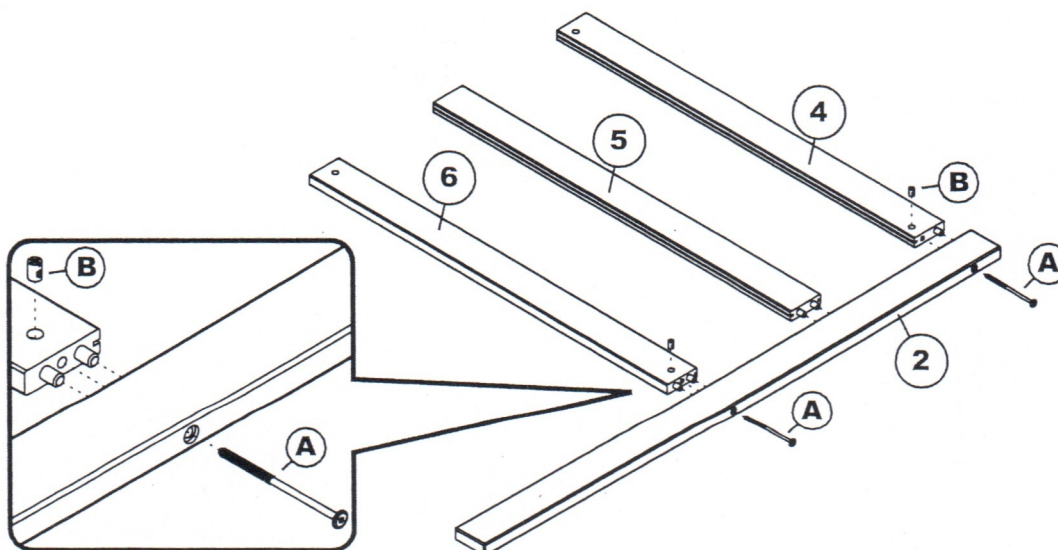
Adult assembly

Ⓓ



Wood Dowel

**Step 2** Lay the left leg (2) upside down on smooth to top rail (4), mid rail (5) and bottom rail (6) as shown below. Using JCB M6 X 110mm (A) and barrel nut (B). Tighten with the Allen wrench (E).



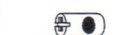
Adult assembly

Ⓐ



JCB M6 X 110mm

Ⓑ



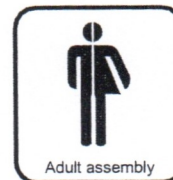
Barrel Nut

## ATTACHING HEADBOARD TO METAL BED FRAME

### ASSEMBLY INSTRUCTIONS

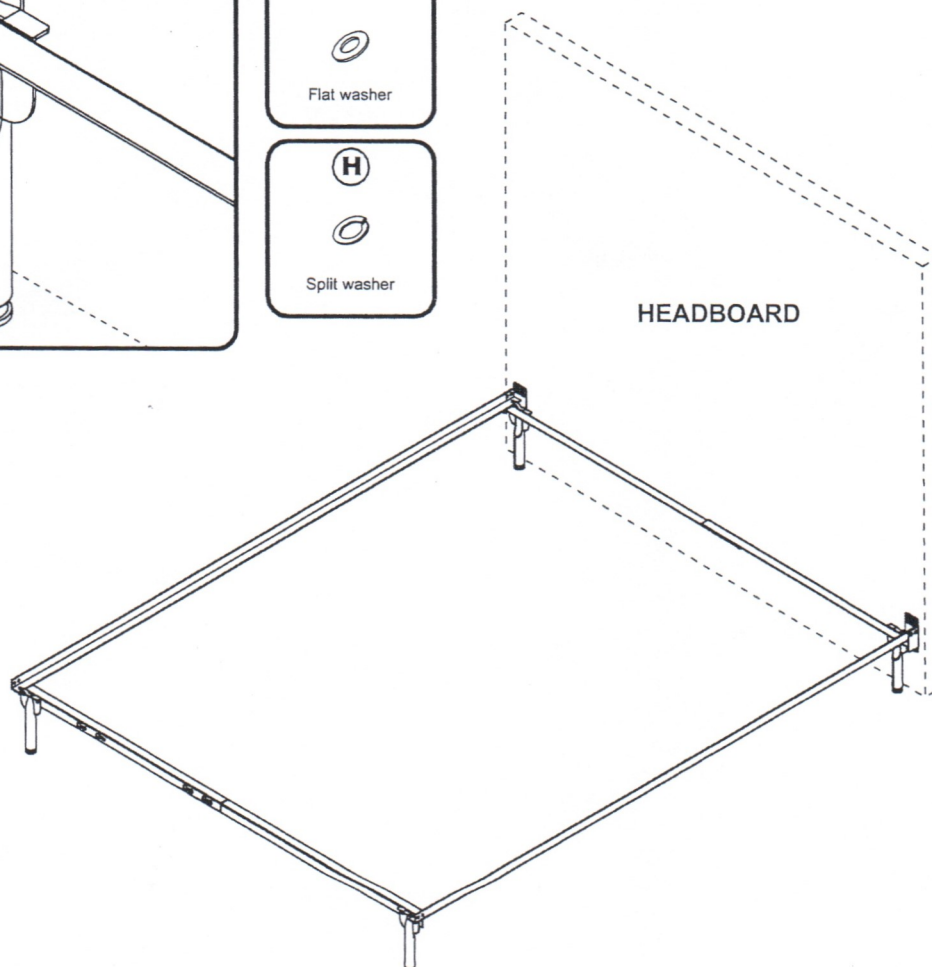
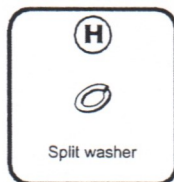
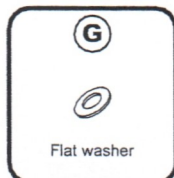
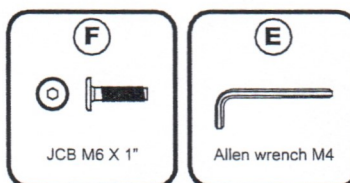
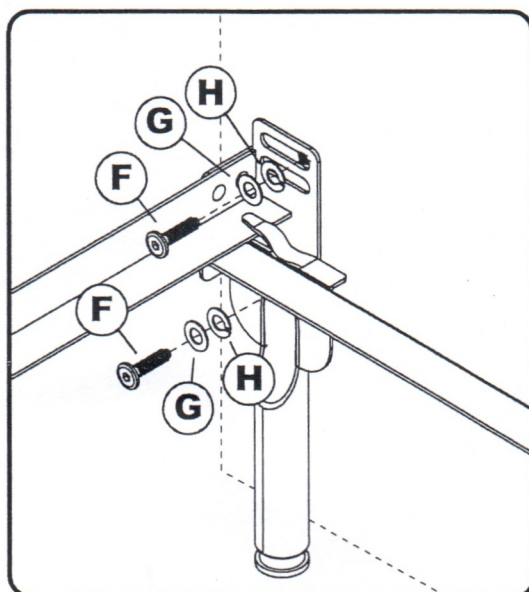
Before assembling your bed, please read through these instructions carefully and familiarize yourself with the different parts.

Instructions apply for bed sizes  
**Twin > Full > Queen**



Metal bed frames are sold separately from wood headboards. The hardware shown on this page is supplied with your Atlantic wood headboard for attaching the bed frame to the headboard. The metal bed frame is supplied with its own assembly instructions and hardware.

**Step 1** Attach the headboard assembly to the metal bed frame using JCB M6 X 1" (F), flat washer (G), and split washer (H) then tighten with Allen wrench (E) as shown below.



### Congratulations!

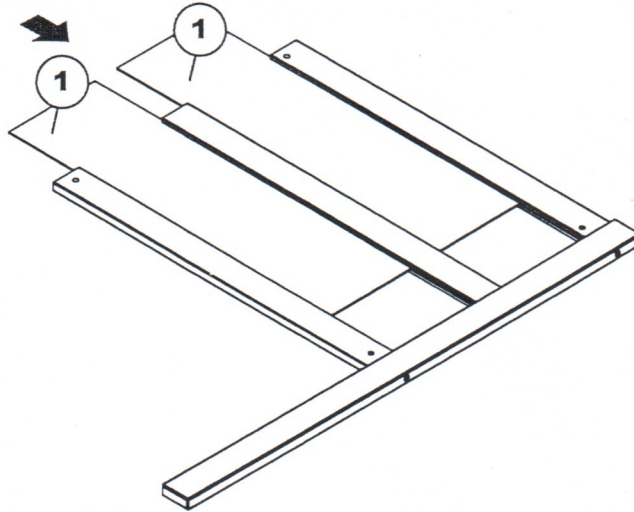
Your bed is now ready for use.

To ensure lasting safety, we recommend that you periodically check that all screws are tight and all parts are secure.

# HEADBOARD

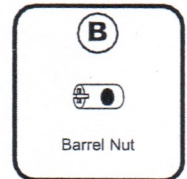
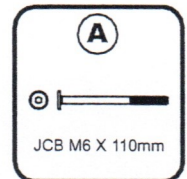
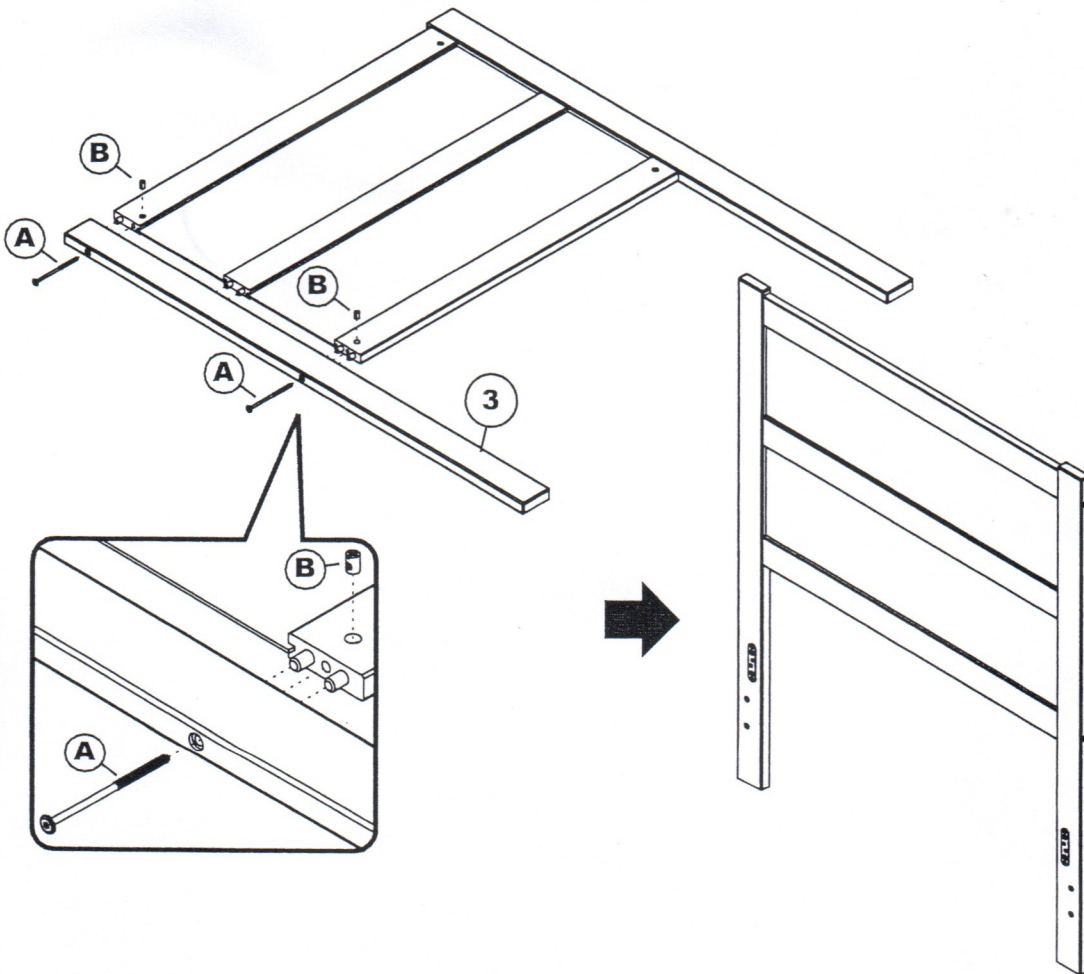
## Step 3

Guide the headboard panel (1) in carefully so that it won't jump out of its grooves. Be sure it fits fully into its groove at the end (in the leg) before fitting the other leg.



## Step 4

Attached the right leg (3) to headboard assembly as shown below. Using JCB M6 X 110mm (A) and barrel nut (B). Tighten with Allen wrench (E)



FOR BED FRAME ASSEMBLY follow assembly instructions included with your bed frame. If you purchased a wood headboard to attach to metal bed frame, please refer to page 3.