

INSTALLATION

Product Manual

Version: 460147US-01-26A-FR



IMPORTANT INFORMATION!

please read the entire manual before starting to assemble and/or using this product. follow the manual thoroughly and keep it for further reference.



AVOID SCRATCHES!

In order to avoid scratching this furniture should be assembled on a soft layer- could be a rug.



IMPROVE EFFICIENCY !

Try to find a partner to install with you, which can speed up the installation efficiency and shorten the time.



ANTI-TOPPLE WARNING !

Overturnd furniture can cause serious or fatal crush injuries. To prevent tipping over, be sure to use the wall attachment, if not included with this product. Please purchase the wall attachment that fit your wall. If unsure, seek professional advice. Please read and follow each step of the instructions carefully.

IMPORTANT !

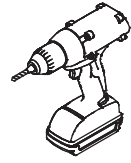
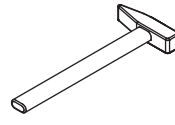
It is important that any product which is assembled using any kind of screw is re-tightened 2 weeks after assembly, and once every 3 months - in order to assure stability through-out the lifespan of the product.

For regular maintenance and cleaning of the product, for the frame, please use a rag dipped in neutral detergent to fully wipe it, and then dry it with a clean rag. For glass materials, wipe with a rag dampened with water glass cleaner, and then dry with a dry rag.

Do not use an electric screwdriver, and do not use too much force when installing, because the board is easy to break.

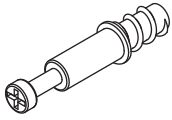


Please prepare the following tools



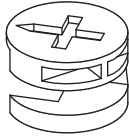
When installing, please carefully confirm whether each screw corresponds to the manual, accessories with similar shapes can be distinguished by size

A x 54



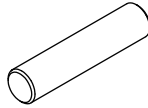
Ø 6 x 35 mm

B x 42



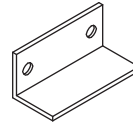
Ø 15 x 11 mm

C x 30

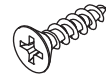


Ø 8 x 30 mm

D x 2

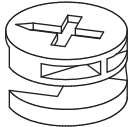


E x 36+3



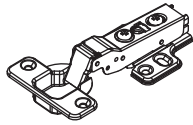
Ø 3.5 x 12 mm

F x 12

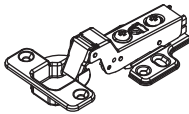


Ø 15 x 9.5 mm

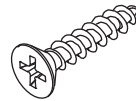
G x 4



H x 4



I x 48+5

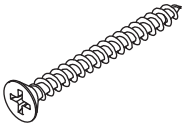


Ø 3.5 x 14 mm

J x 6

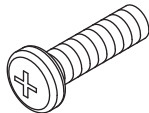


K x 12+1



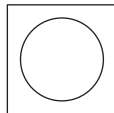
Ø 4 x 30 mm

L x 18+1



Ø 6 x 25 mm

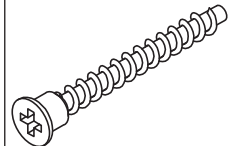
M x 54



N x 6

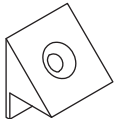


P x 4

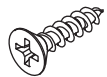


Ø 5 x 40 mm

Q x 30

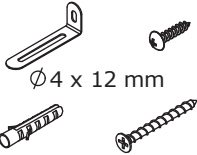


R x 34



Ø 3 x 12 mm

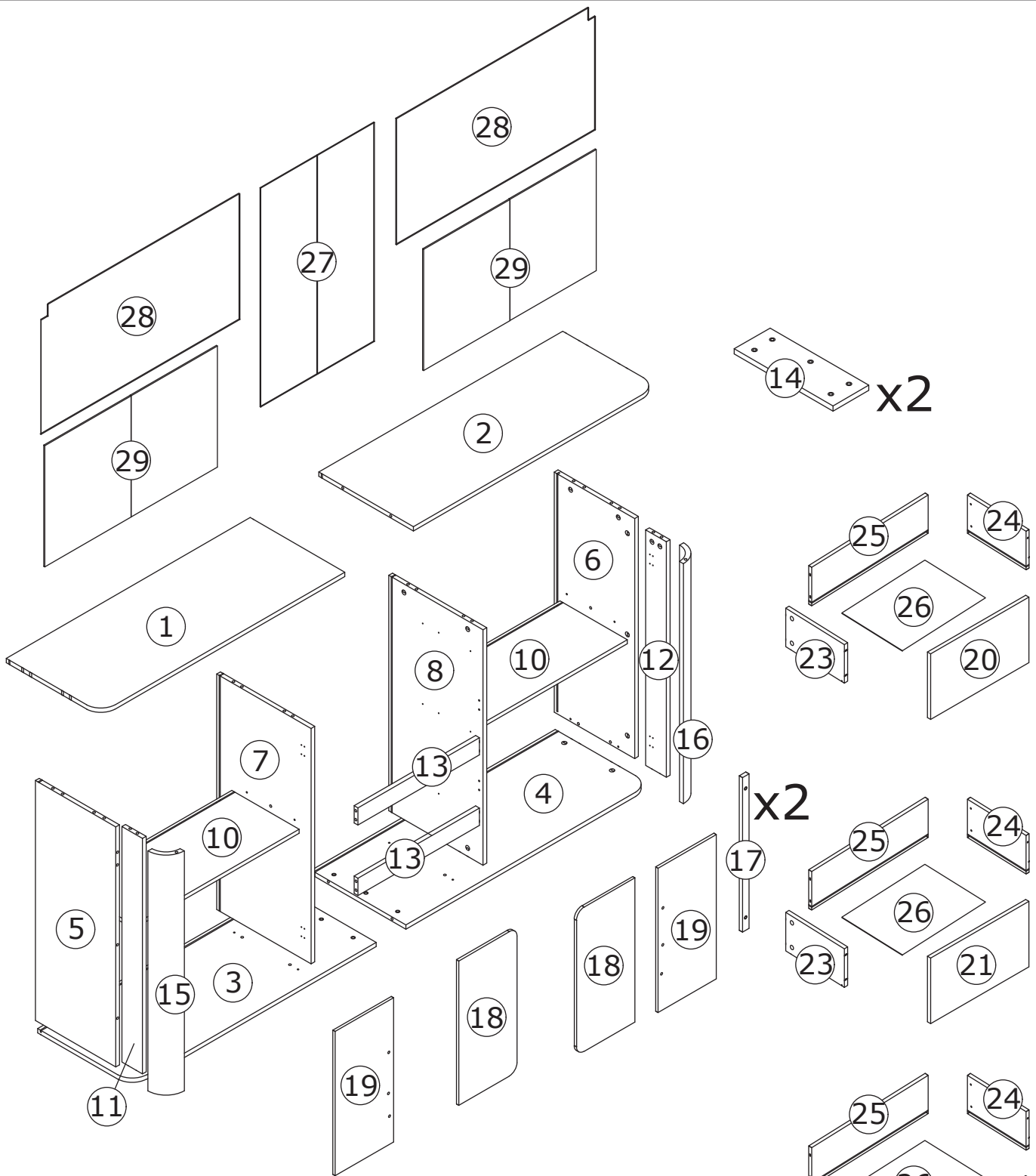
S x 2



Ø 4 x 12 mm



Ø 4 x 30 mm



14 x2

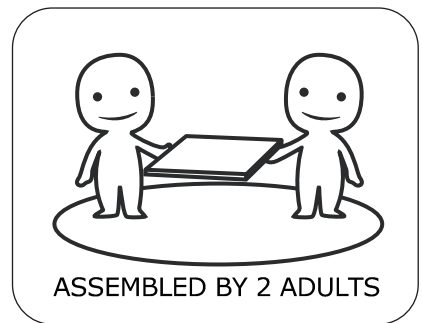
17 x2

⚠ WARNING

Children have died from furniture tipover. To reduce the risk of furniture tipover:

- ALWAYS install Anti-tip device provided.
- NEVER put a TV on this product.
- NEVER allow children to stand, climb or hang on drawers, doors, or shelves.
- NEVER open more than one drawer at a time.
- Place heaviest items in the lowest drawers.

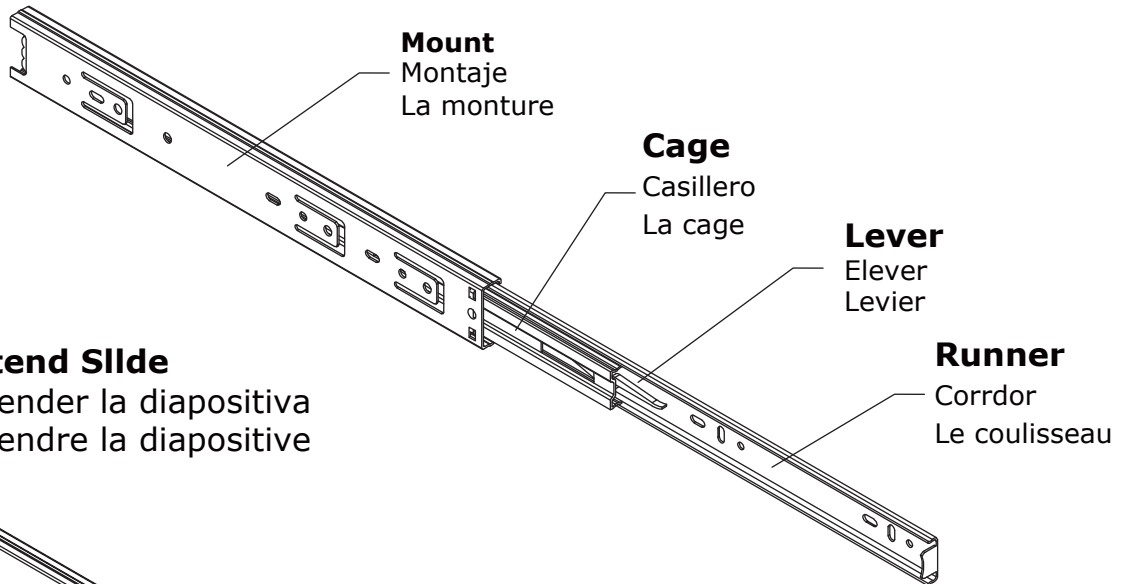
This is a permanent label. Do not remove!



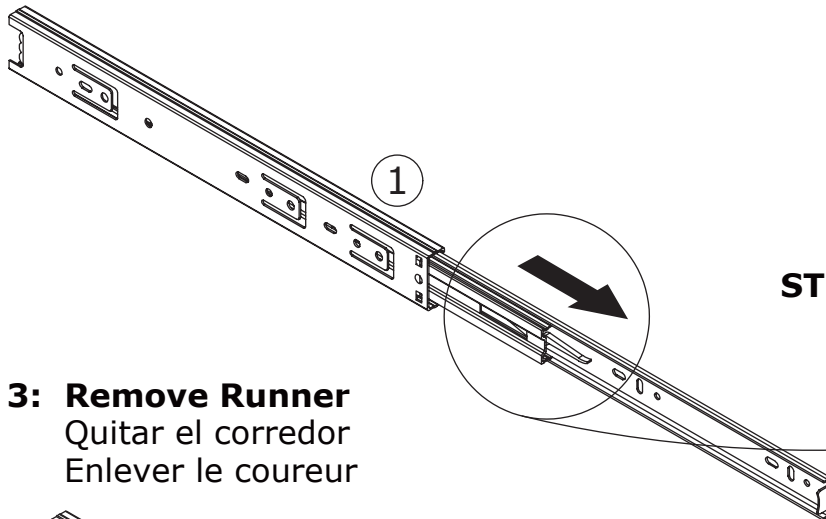
**Slides Must Be Separated Before Assembly.
After Separated, Set Aside Until Needed for Assembly.**

Las diapositivas deben separarse antes del montaje.
Después de la separación, déjelo a un lado hasta que sea necesario.

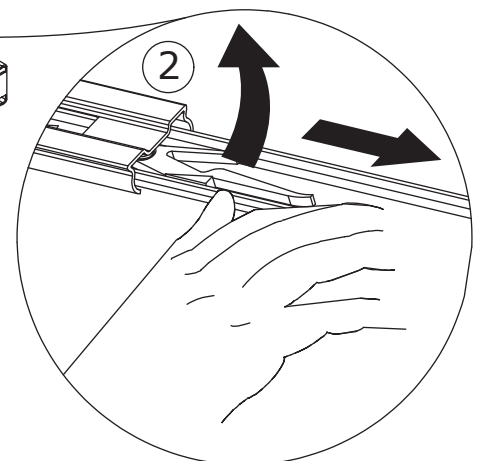
Les glissières doivent être séparées avant l'assemblage.
Après la séparation, mettez de côté jusqu'au moment de l'assemblage.



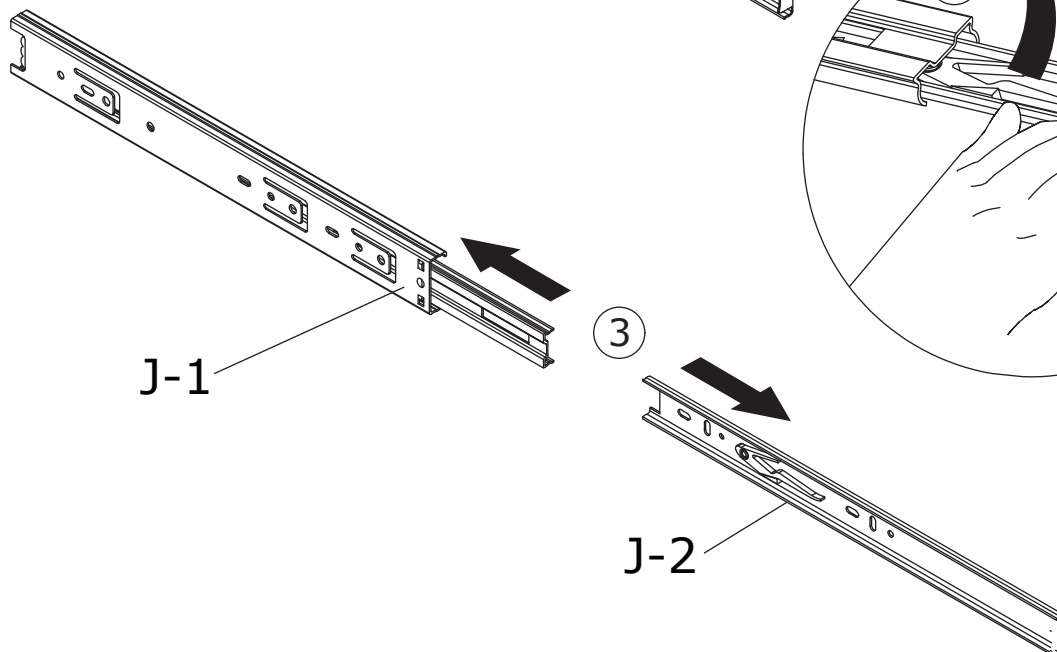
STEP 1: Extend Slide
Extender la diapositiva
Extendre la diapositive



STEP 2: Push Lever UP
Empujar hacia arriba
Levier le levier

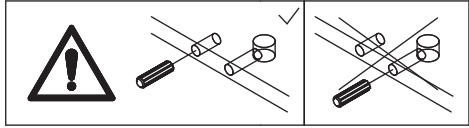


STEP 3: Remove Runner
Quitar el corredor
Enlever le coureur

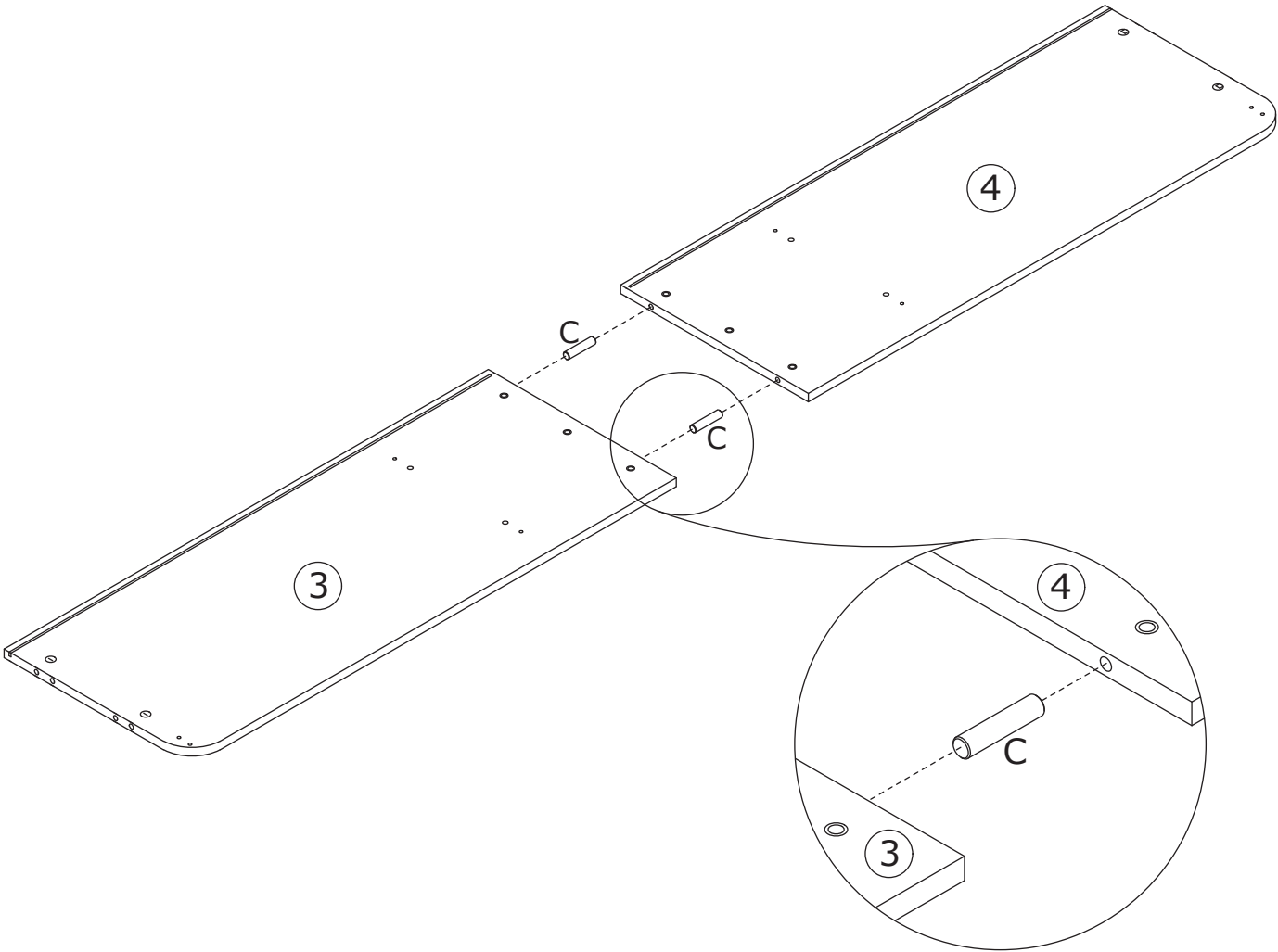


1

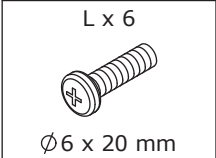
C x 2
Ø8 x 30 mm



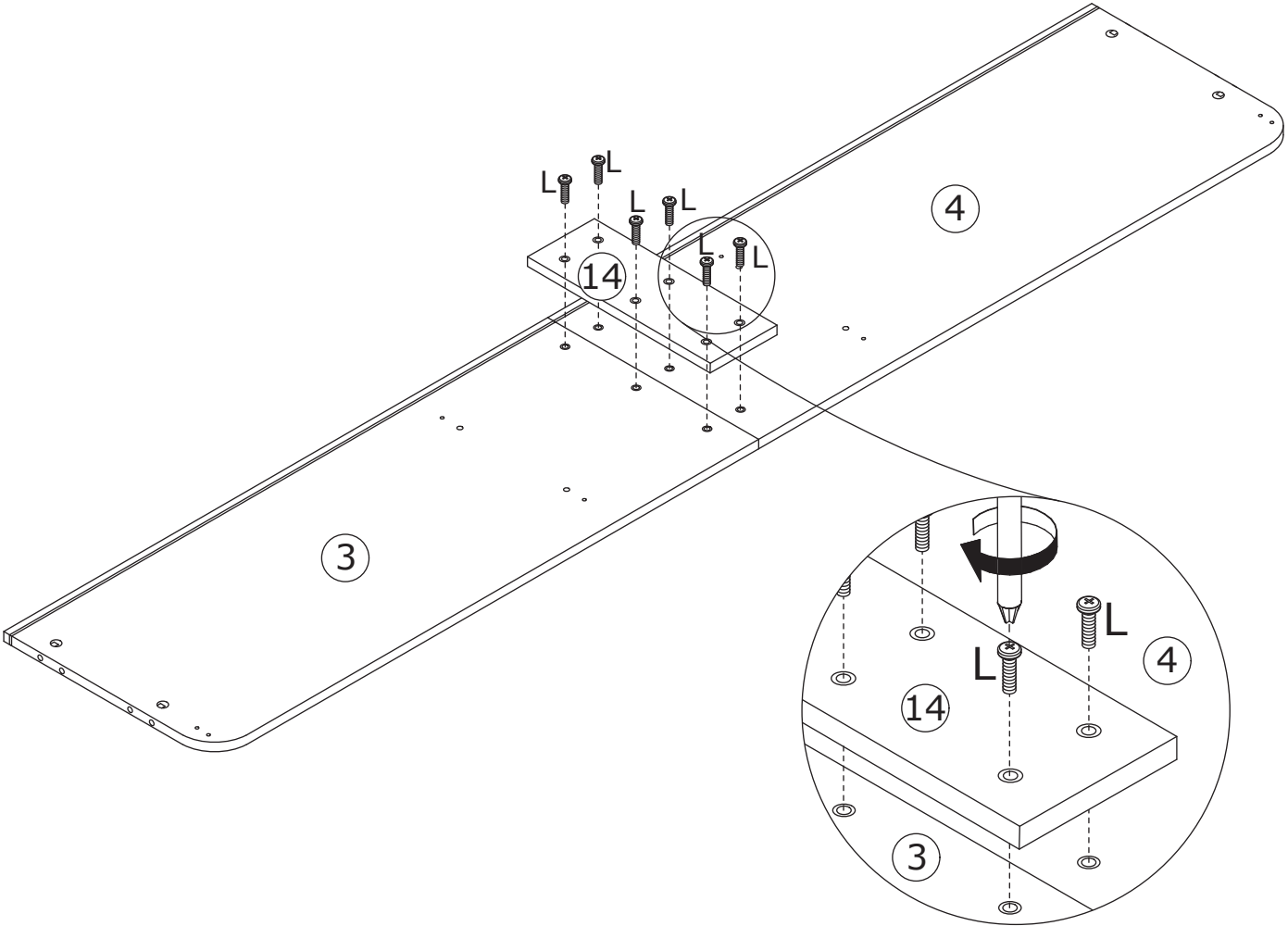
Connect plates 3 and 4 using wooden dowel (C).



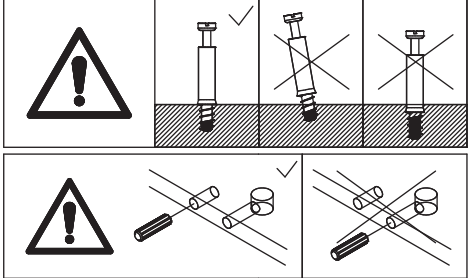
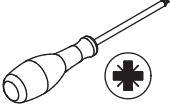
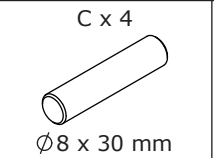
2



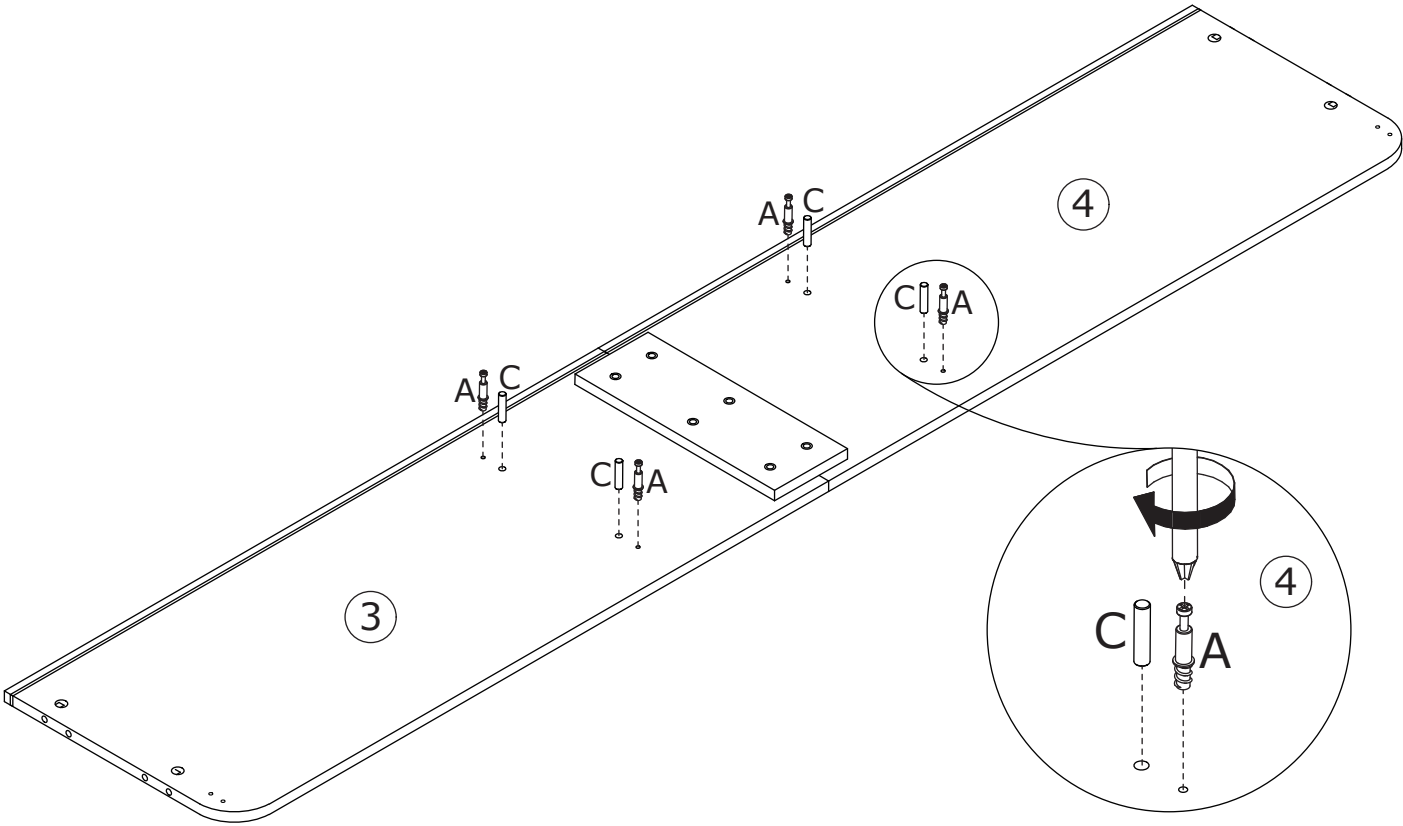
Secure plate 14 to plates 3 and 4 using screw (L).



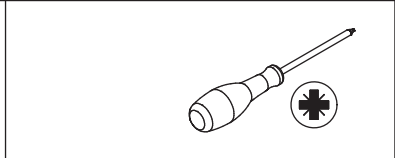
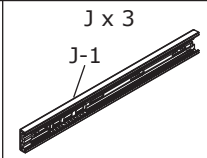
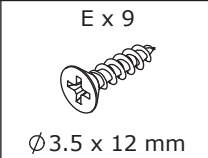
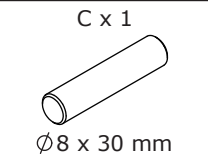
3



Screw self-tapping rod (A) and insert wooden dowel (C) to plates 3 and 4.

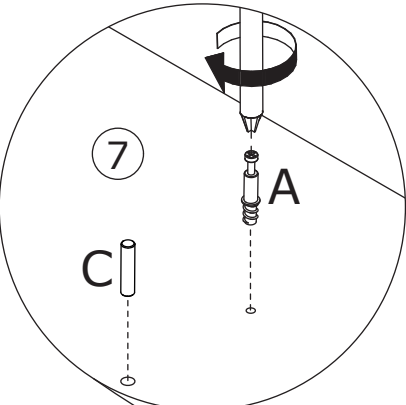
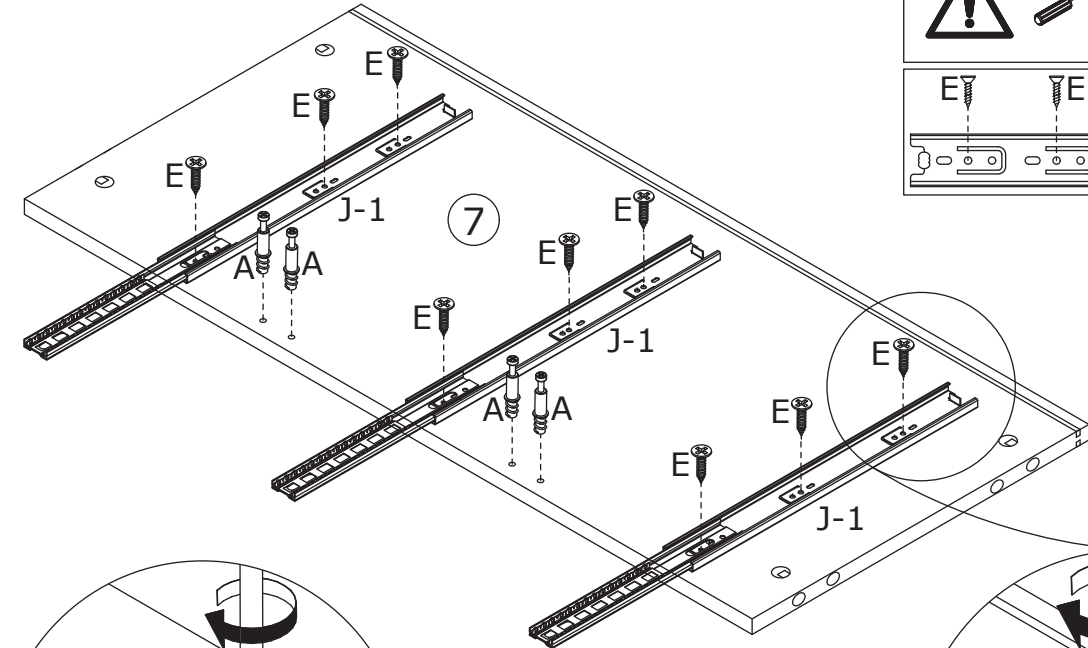
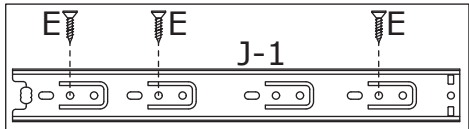
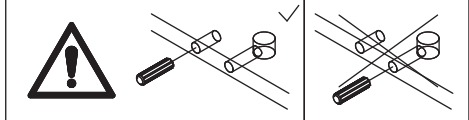
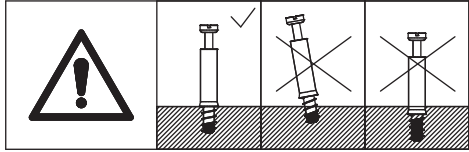


4

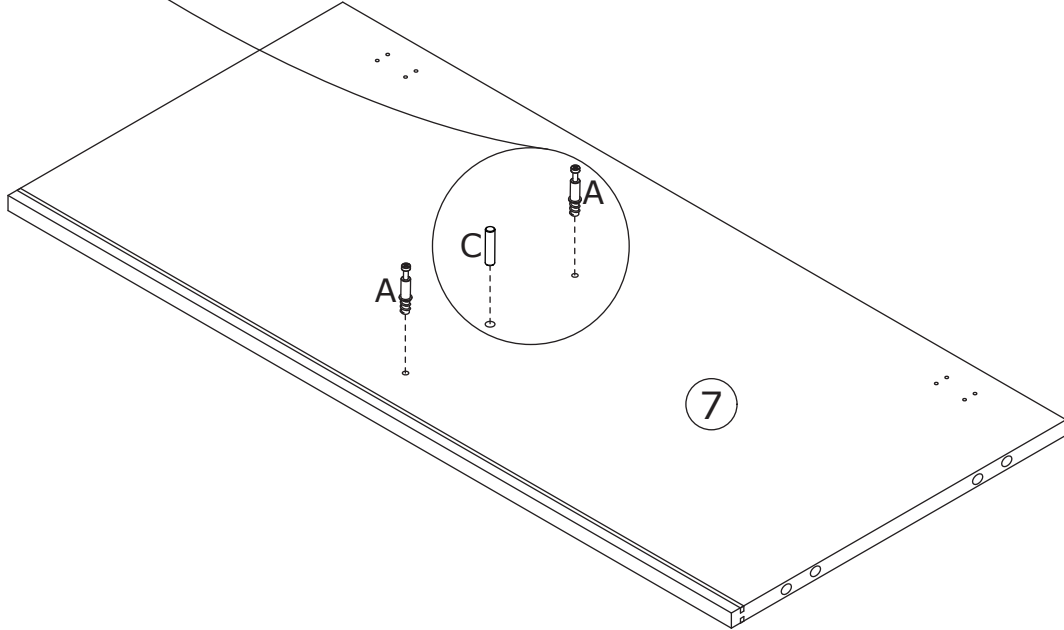
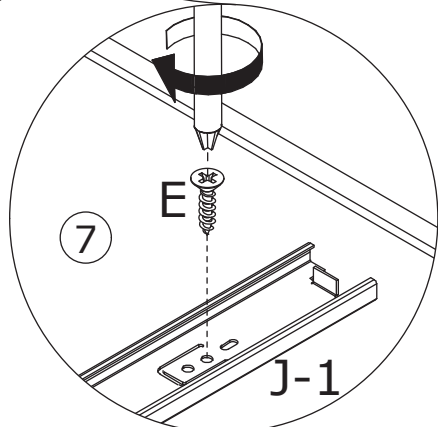


Secure slide rail (J-1) to plate 7 using screw (E), then screw self-tapping rod (A) onto.

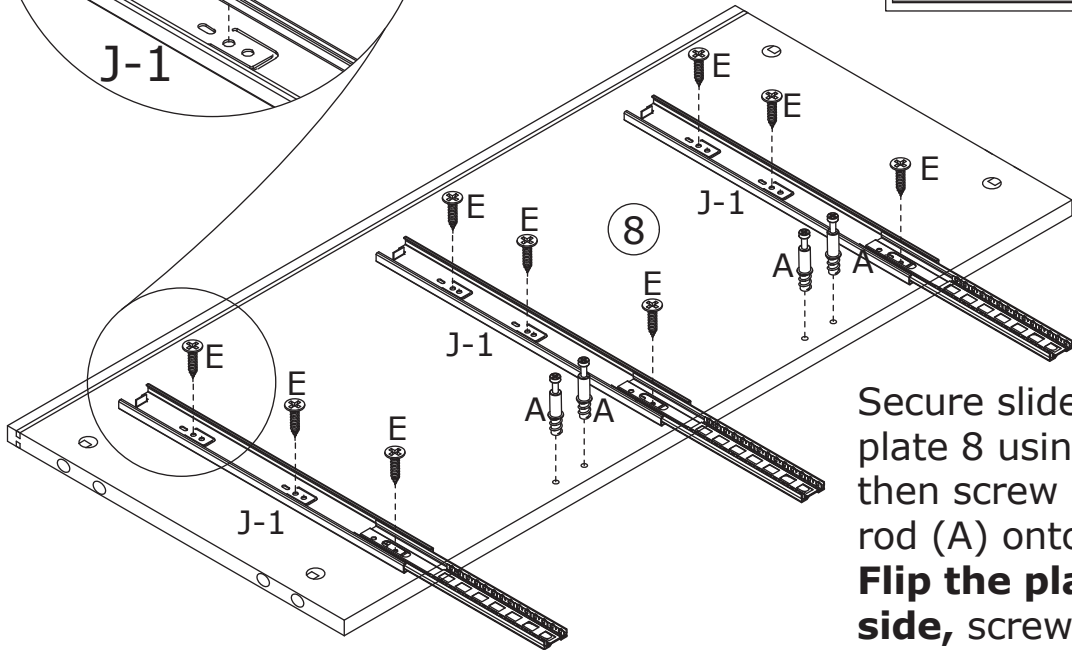
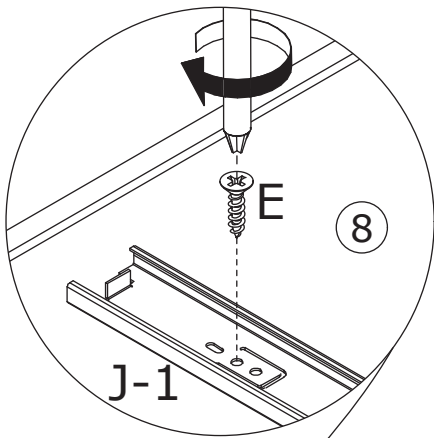
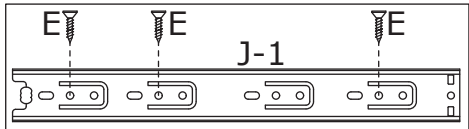
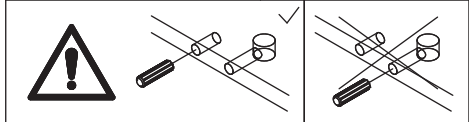
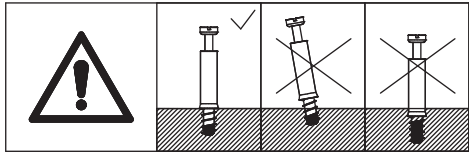
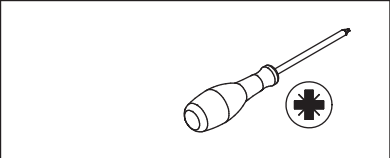
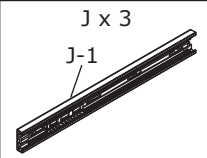
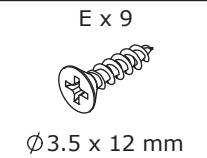
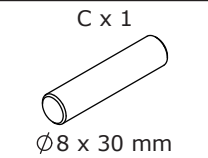
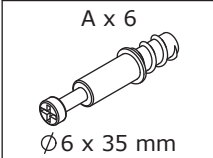
Flip the plate 7 to other side, screw self-tapping rod (A) and insert wooden dowel (C).



Flip 180°



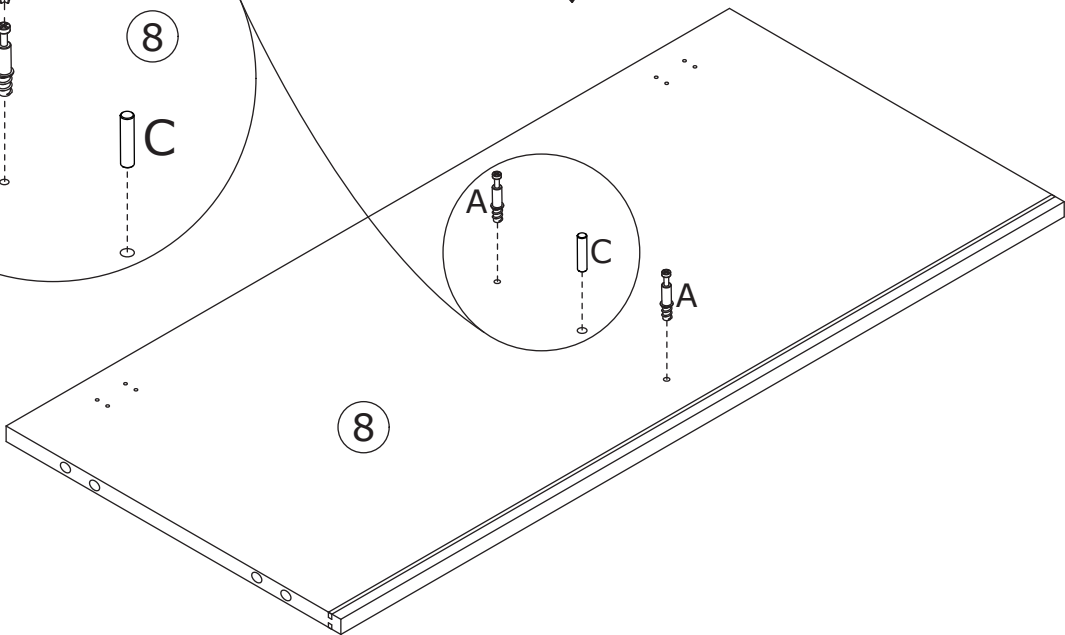
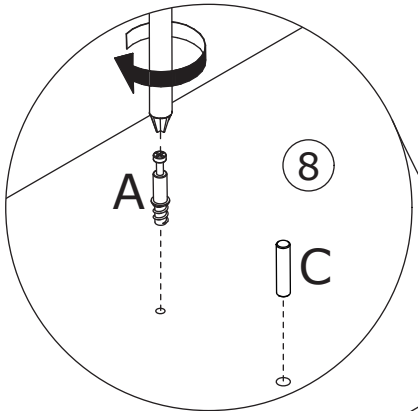
5



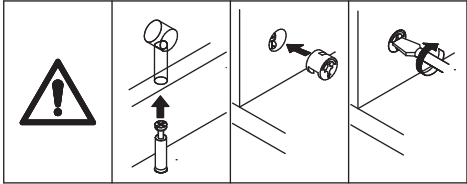
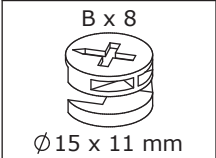
Secure slide rail (J-1) to plate 8 using screw (E), then screw self-tapping rod (A) onto.

Flip the plate 8 to other side, screw self-tapping rod (A) and insert wooden dowel (C).

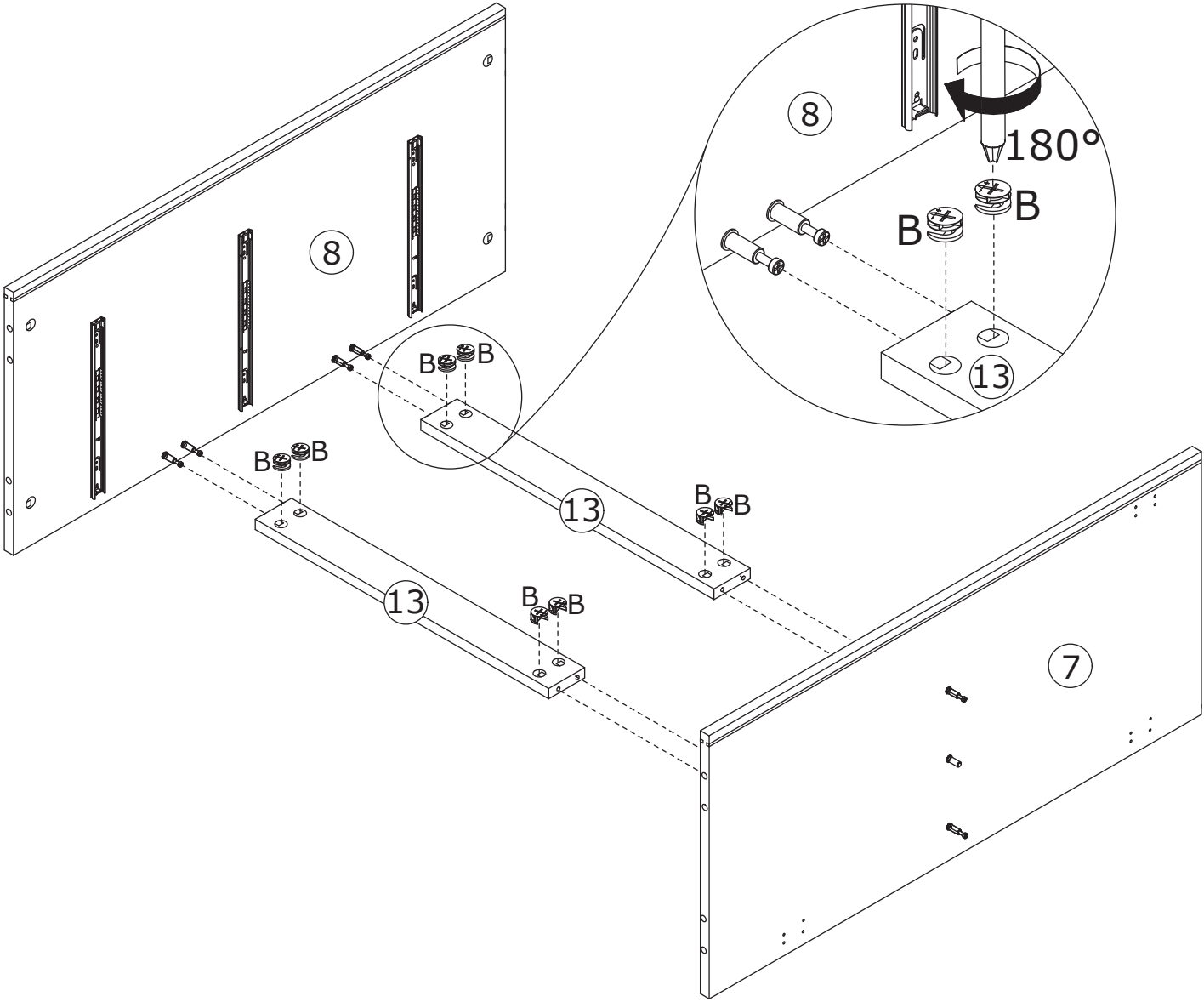
Flip 180°



6

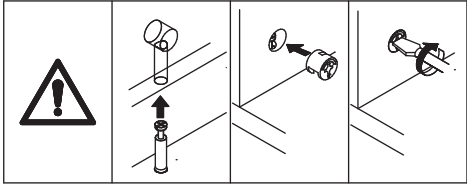


Connect plate 13 to plates 7 and 8, then tighten by turning cam lock (B) clockwise.

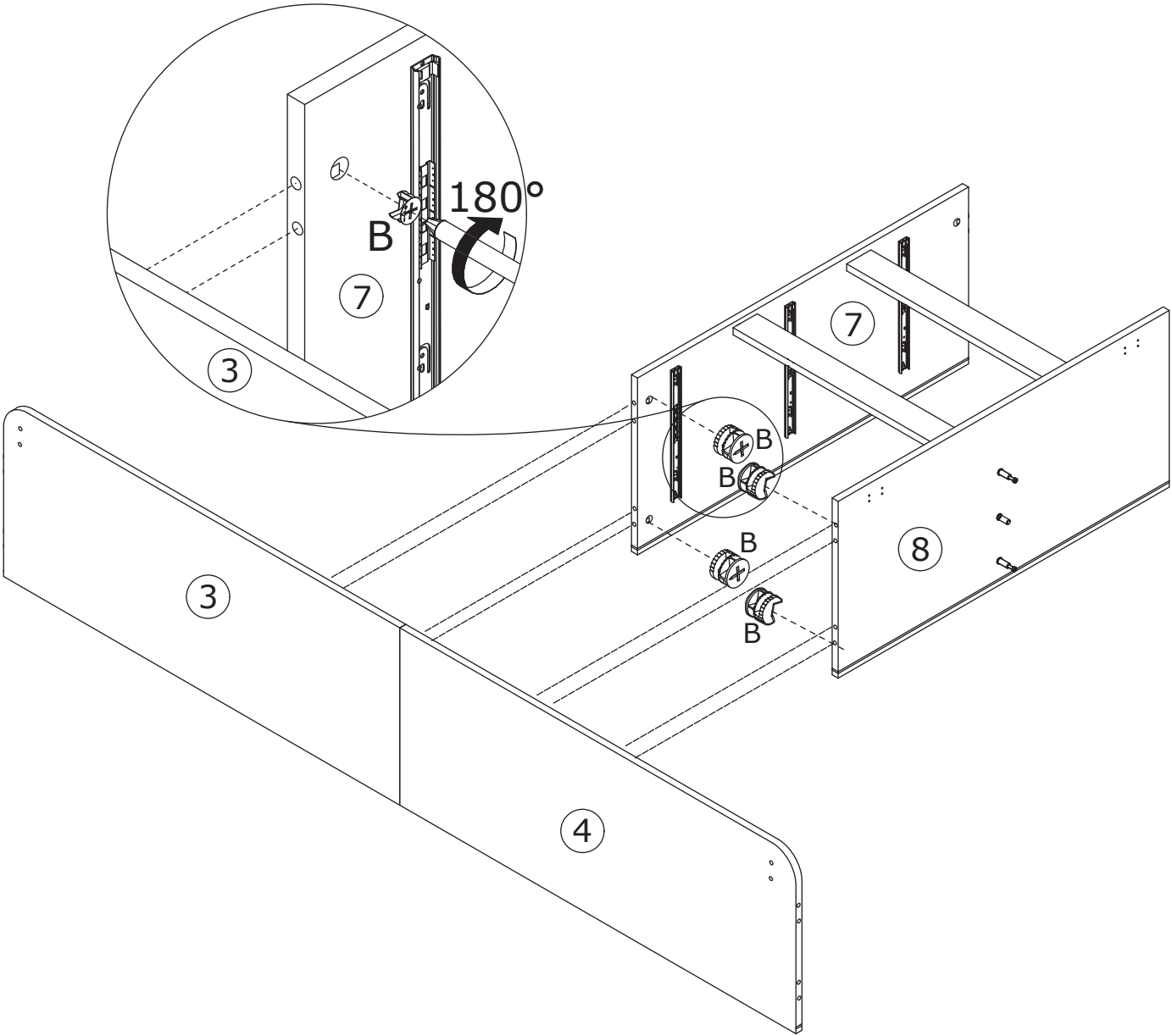


7

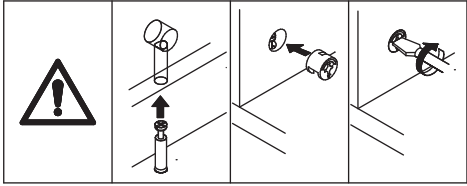
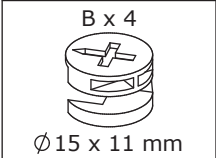
B x 4
Ø15 x 11 mm



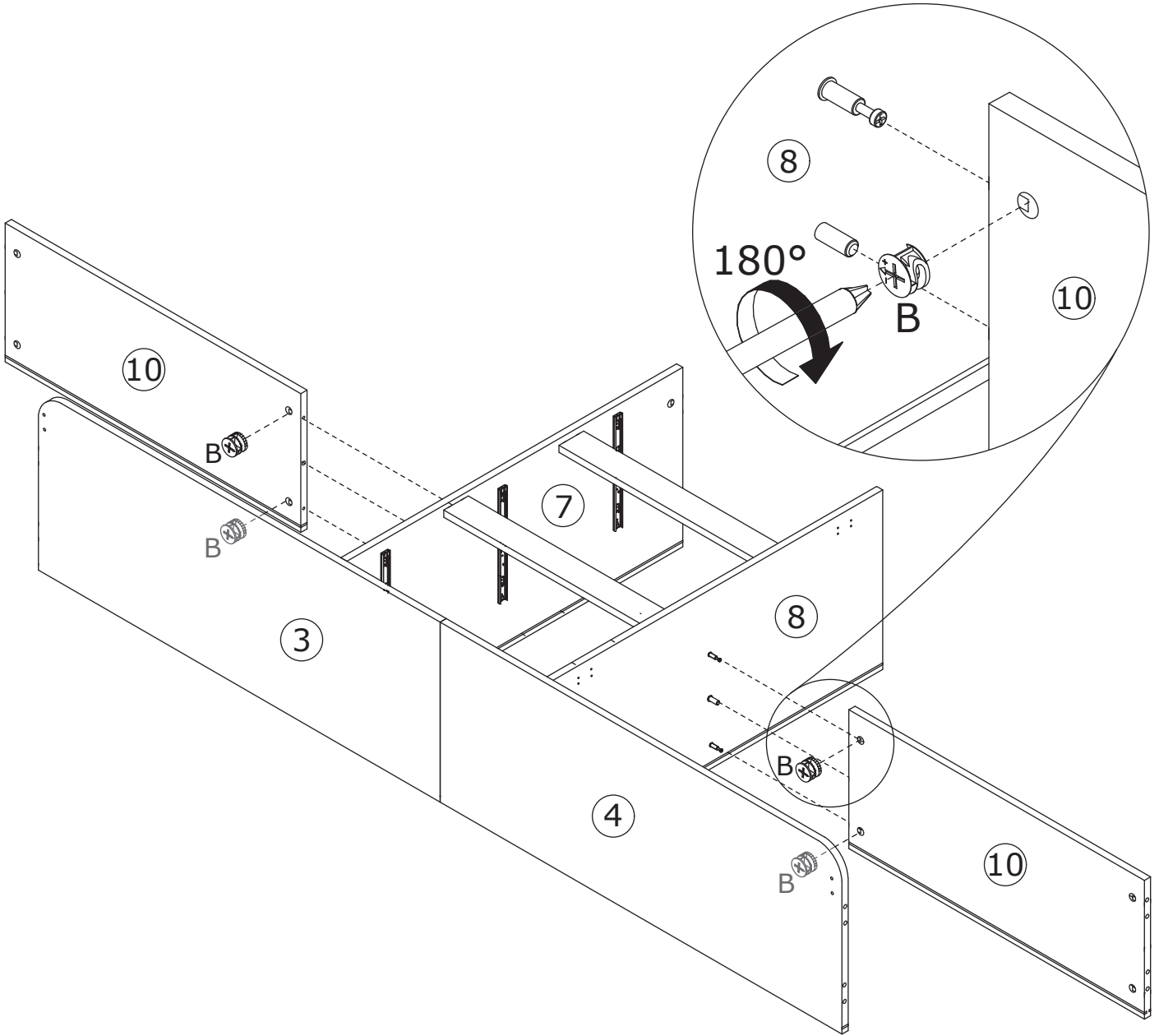
Connect plates 3 and 4 to plates 7 and 8, then tighten by turning cam lock (B) clockwise.



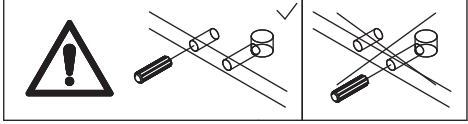
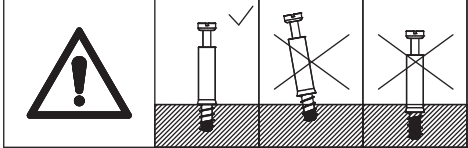
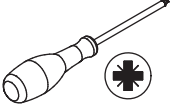
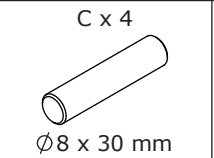
8



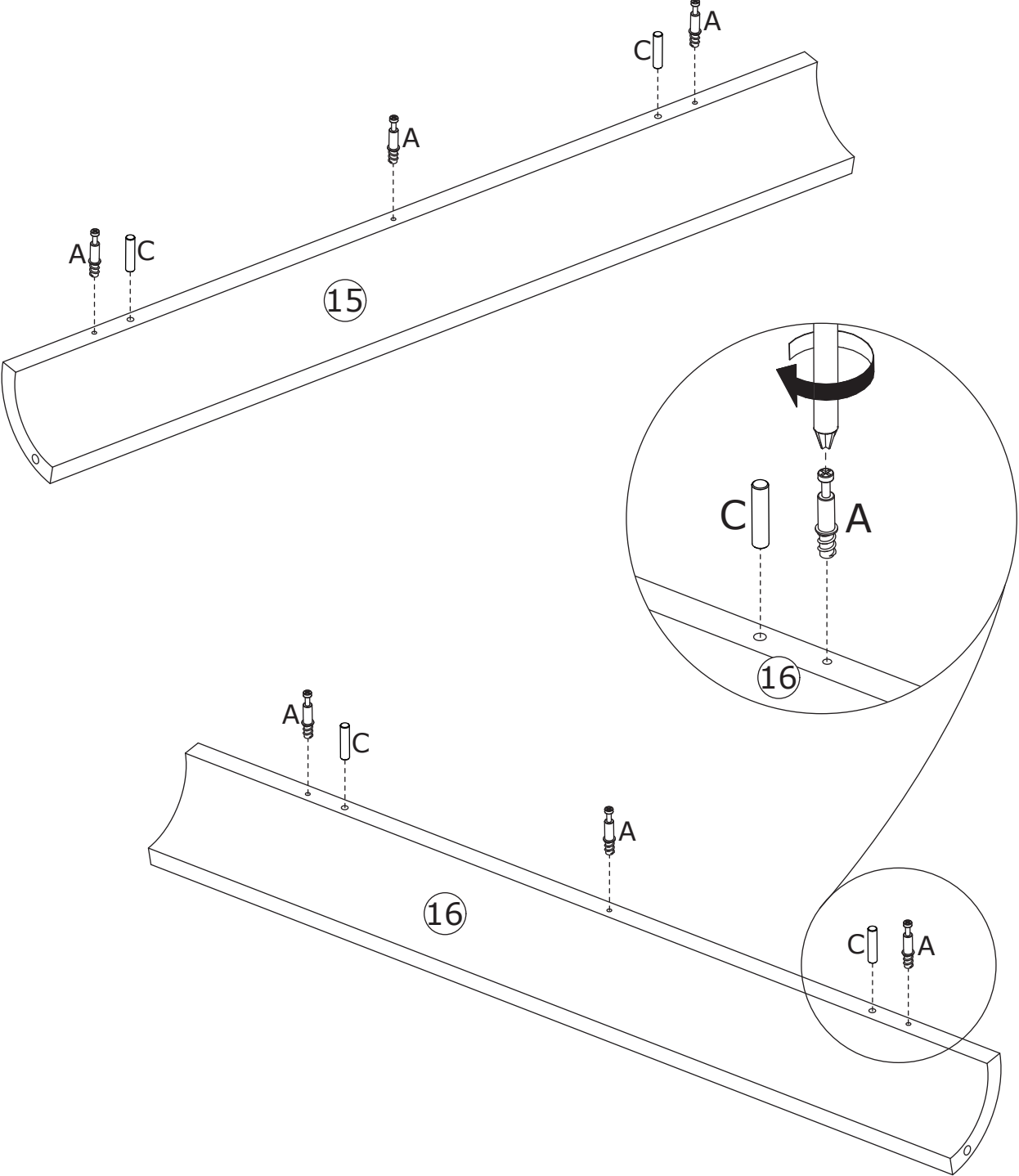
Connect plate 10 to plates 7 and 8, then tighten by turning cam lock (B) clockwise.



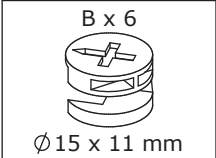
9



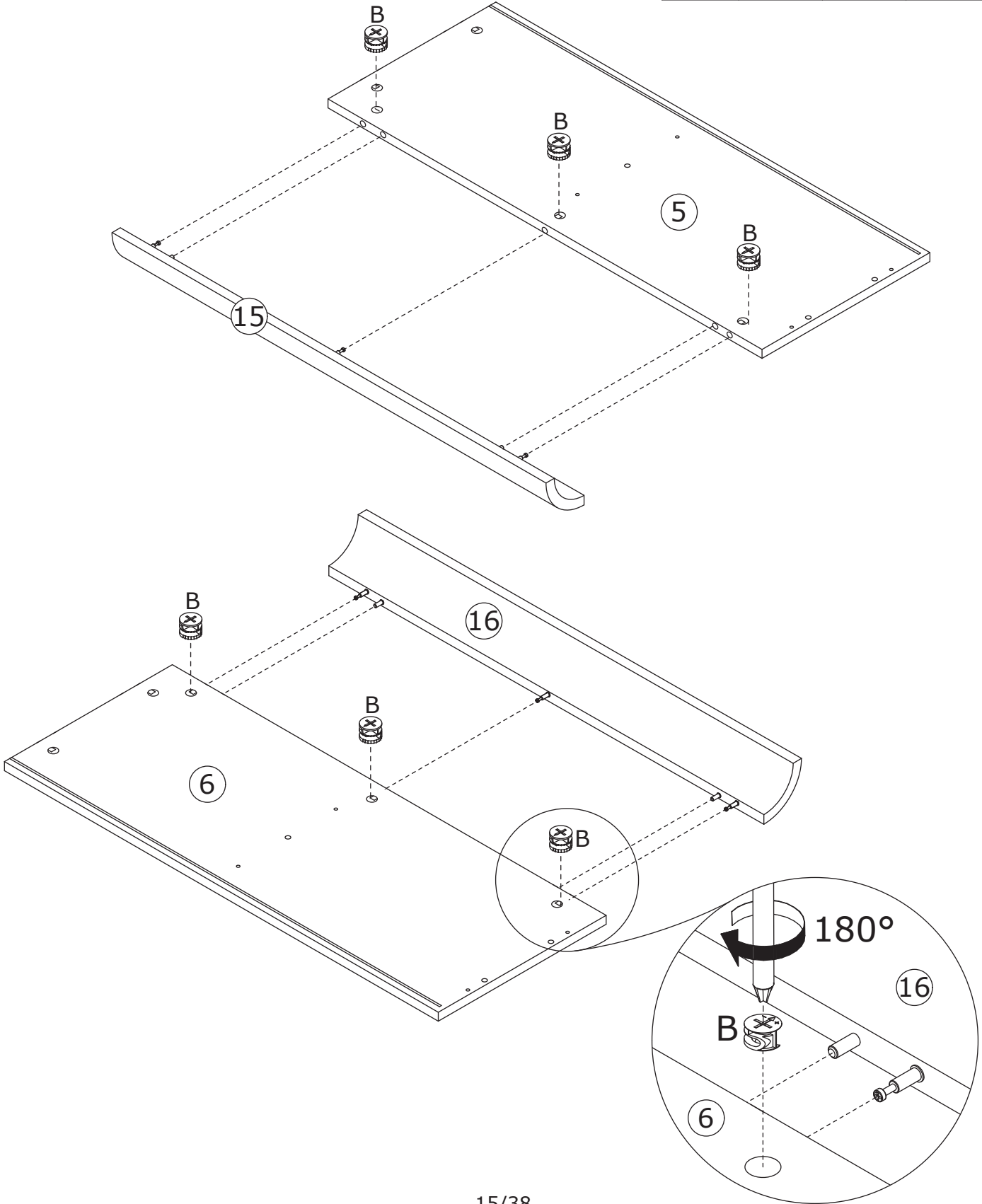
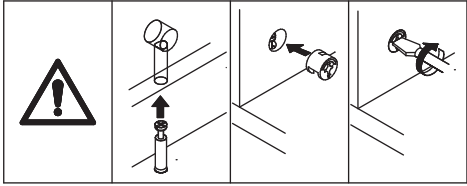
Screw self-tapping rod (A) and insert wooden dowel (C) to plates 15 and 16.



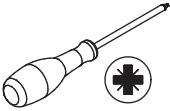
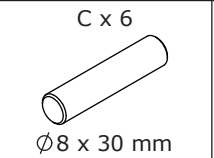
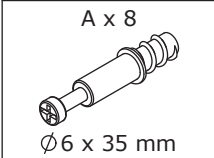
10



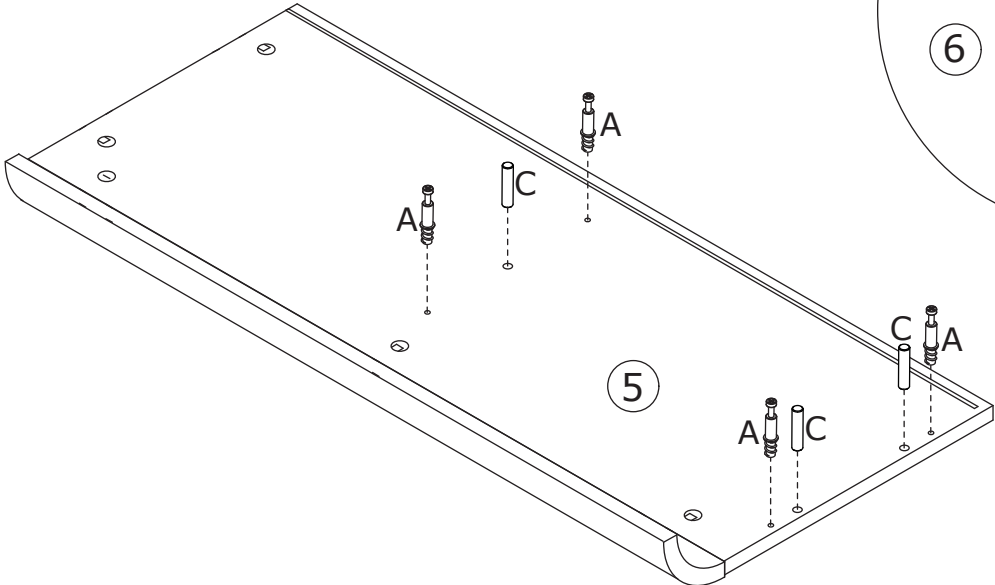
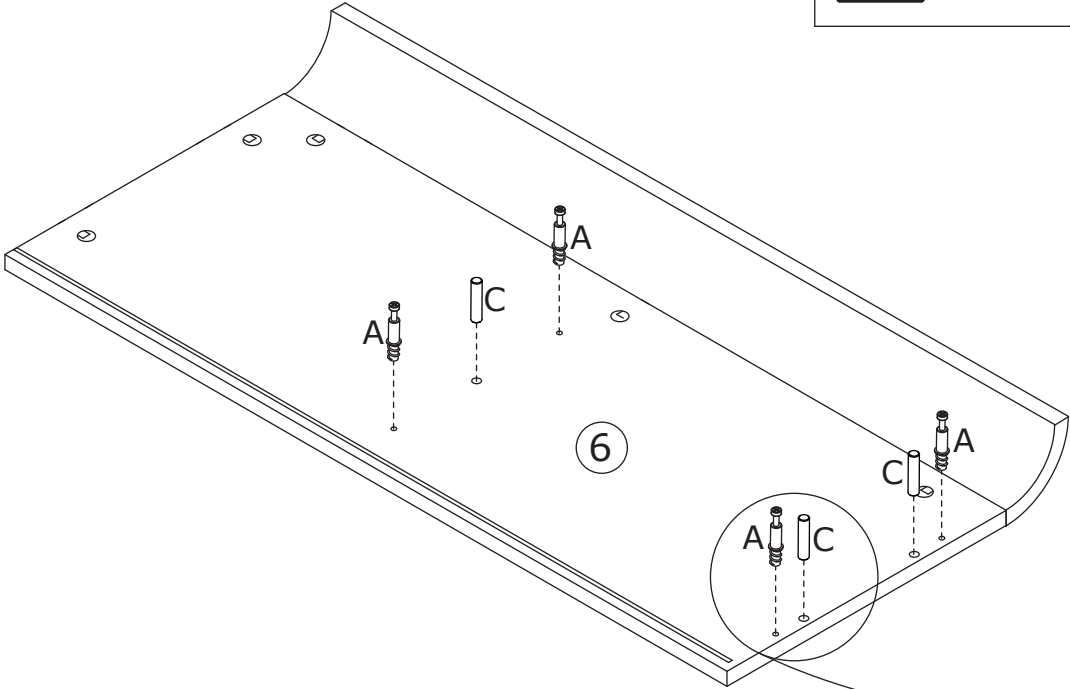
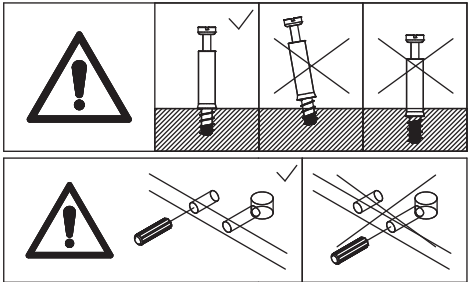
Connect plates 5 and 6 to plates 15 and 16, then tighten by turning cam lock (B) clockwise.



11

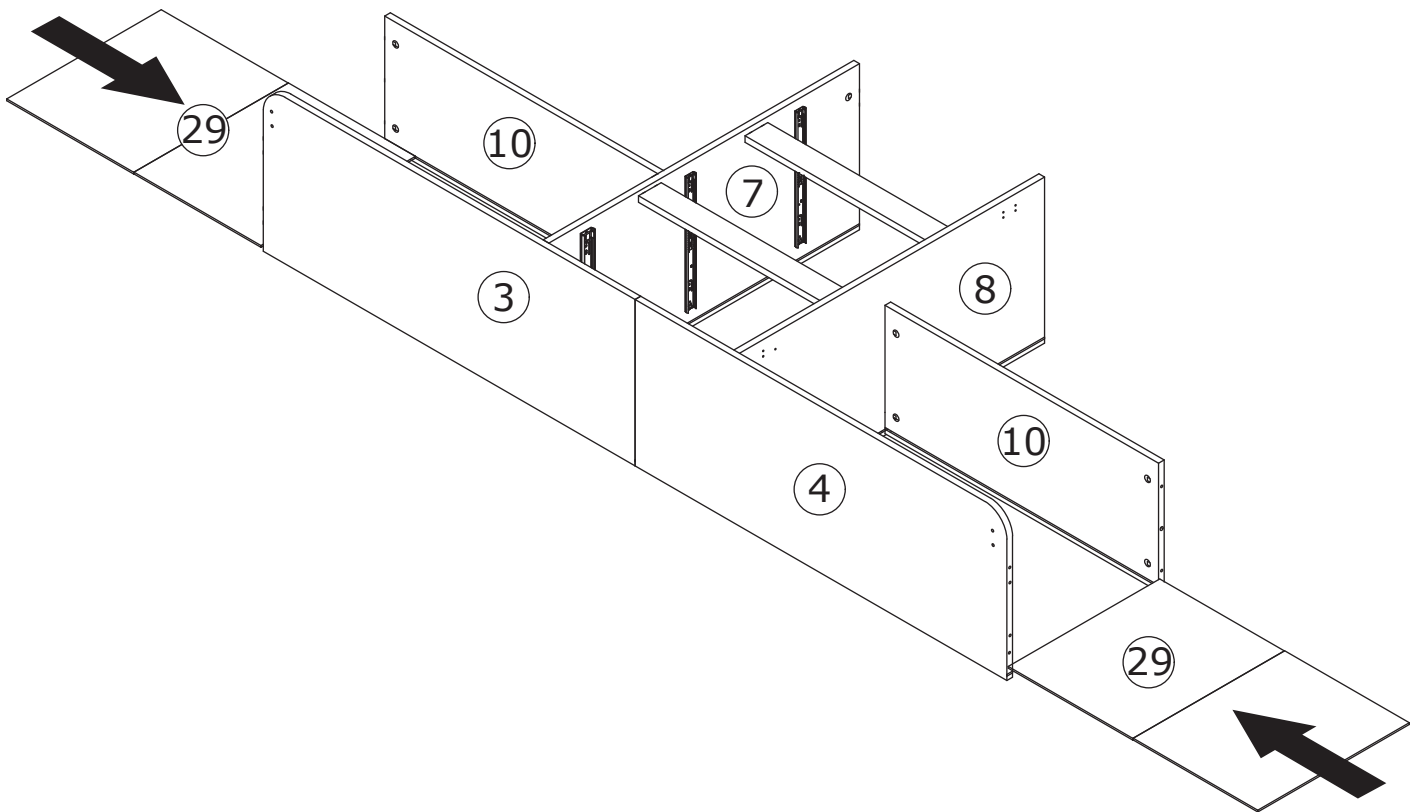


Screw self-tapping rod (A) and insert wooden dowel (C) to plates 5 and 6.

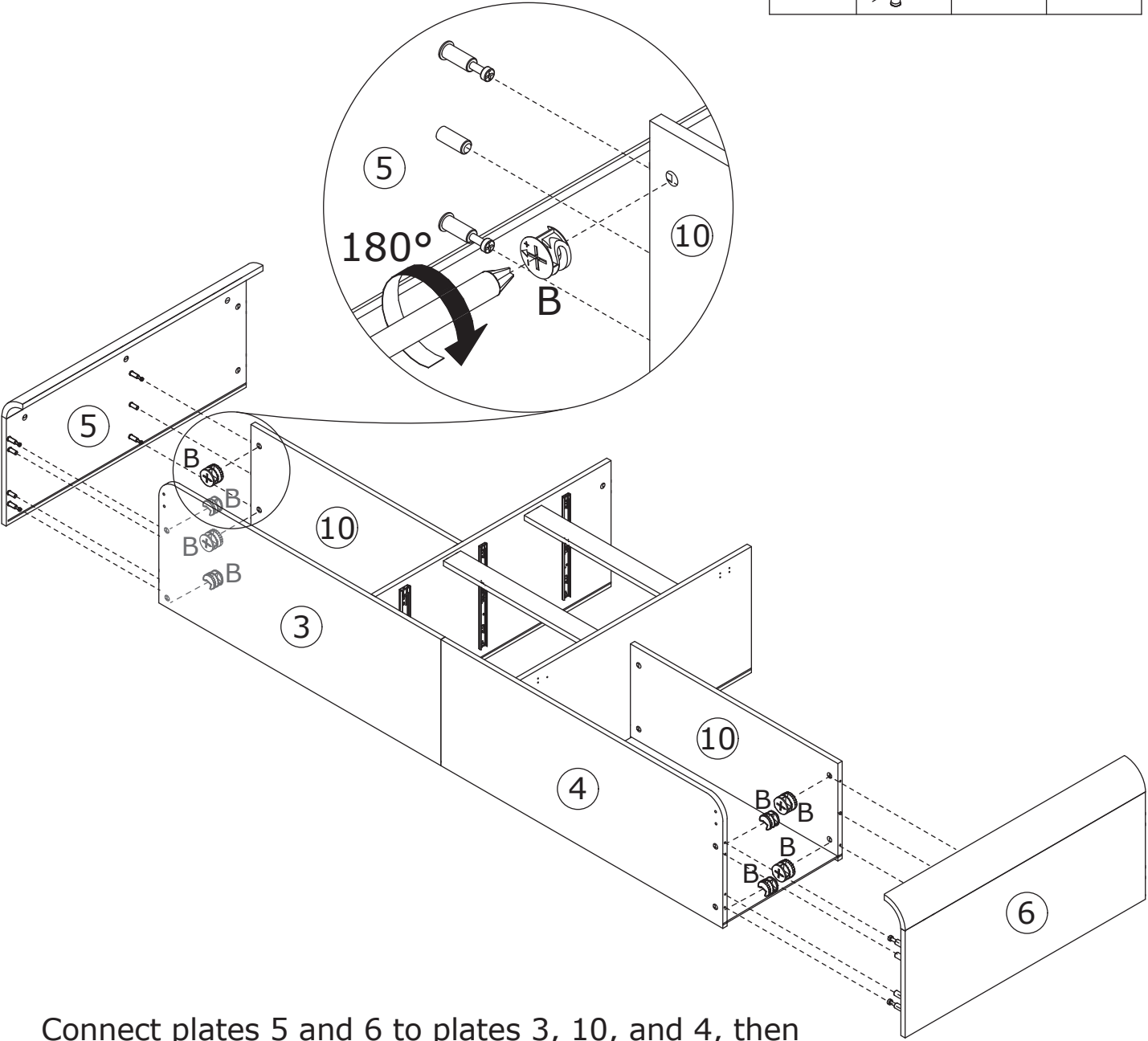
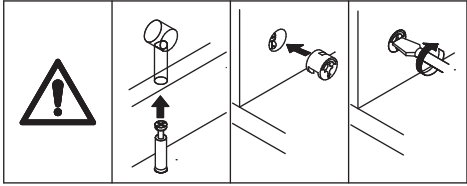
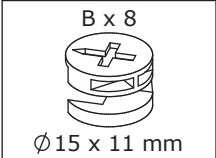


12

Insert back plate 29 along the available grooves.

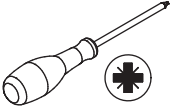
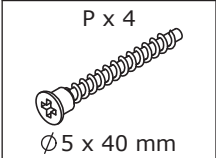


13

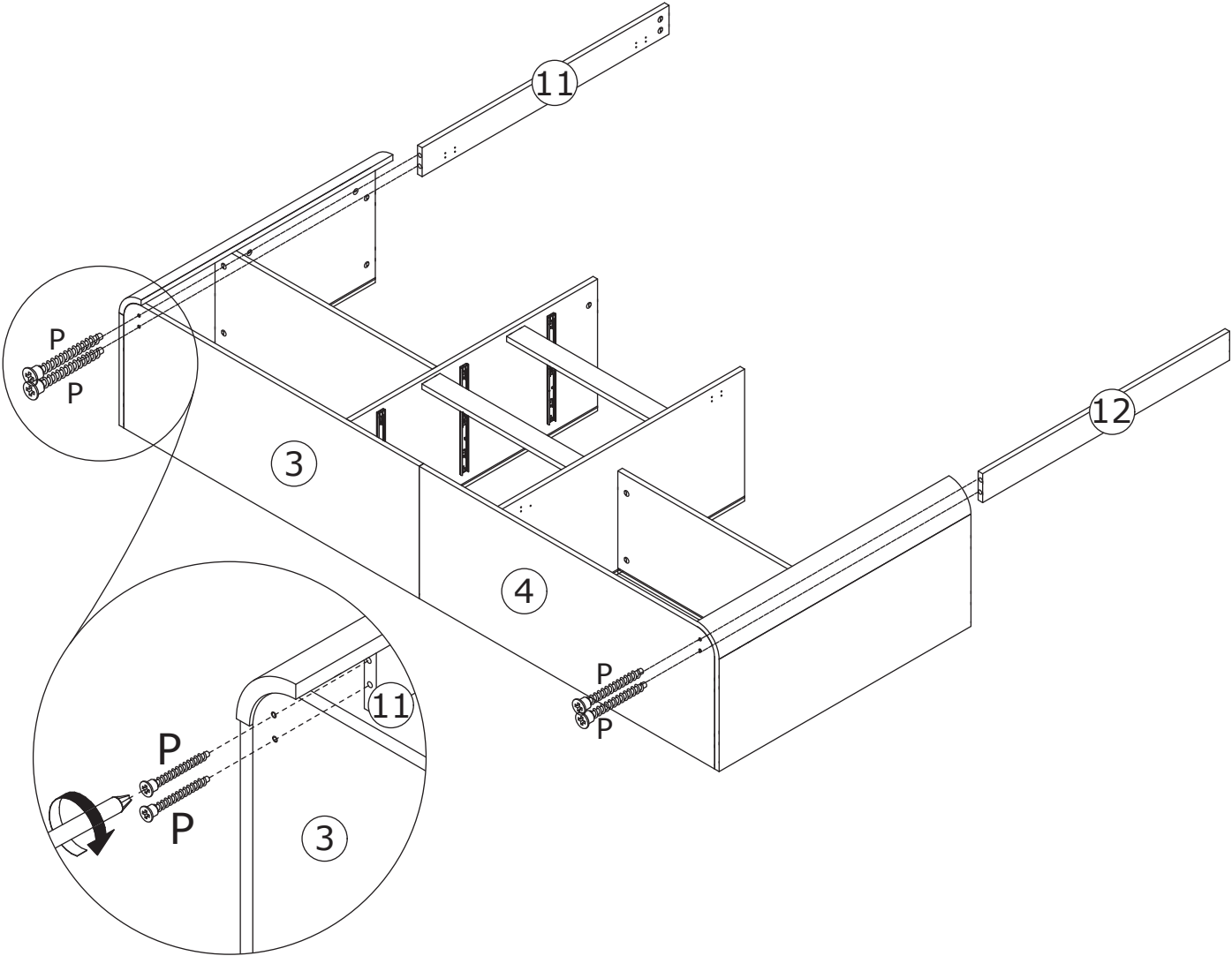


Connect plates 5 and 6 to plates 3, 10, and 4, then tighten by turning cam lock (B) clockwise.

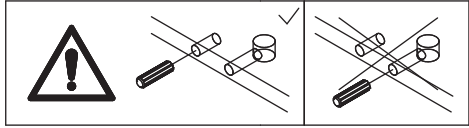
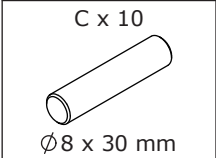
14



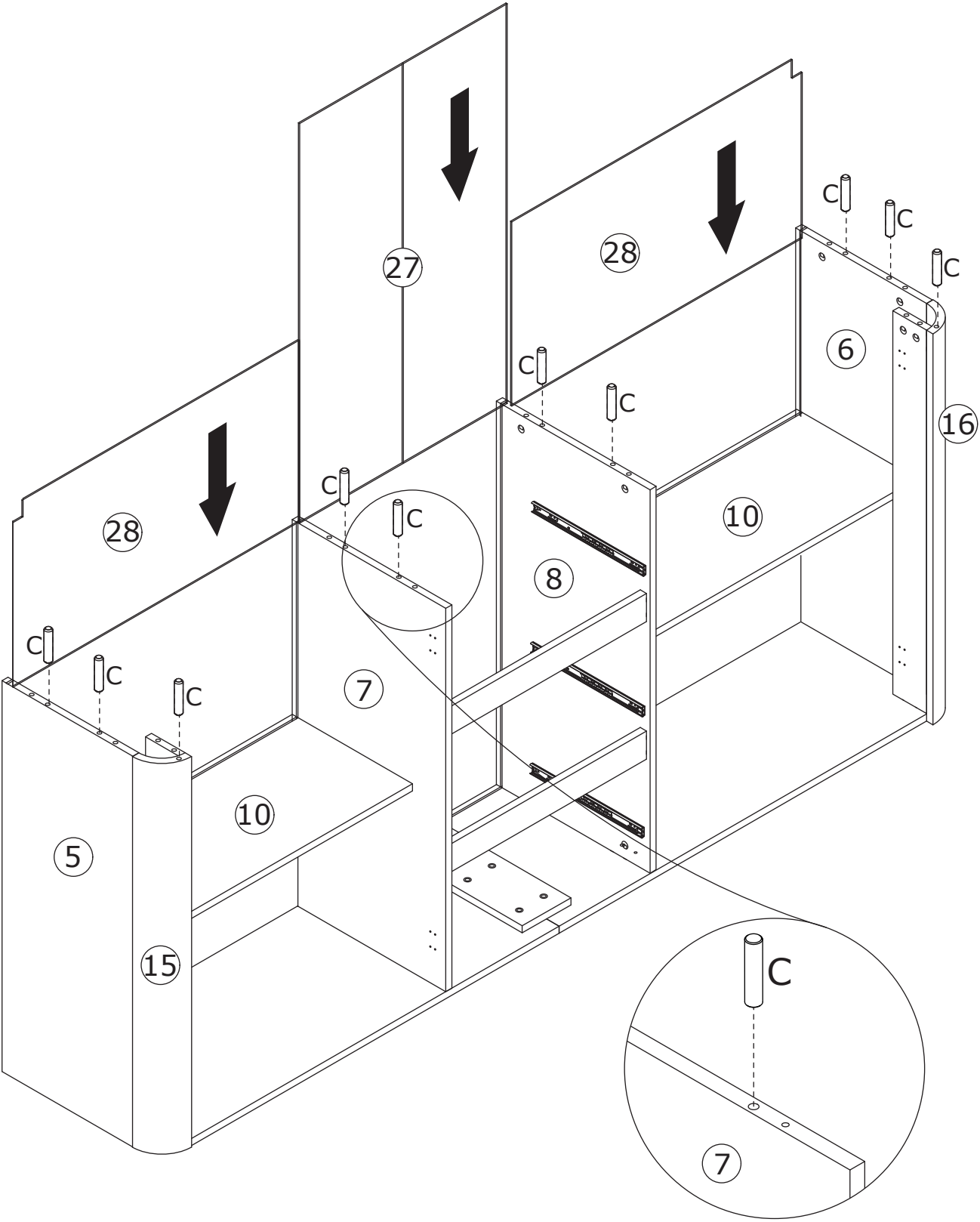
Secure plates 11 and 12 to plates 3 and 4 using screw (P).



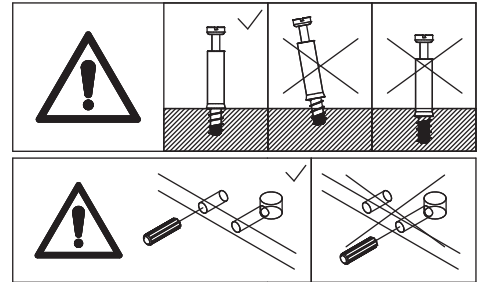
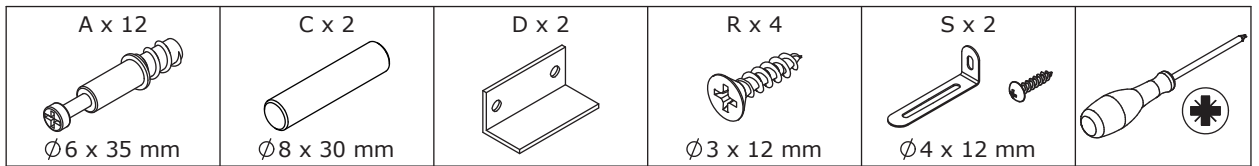
15



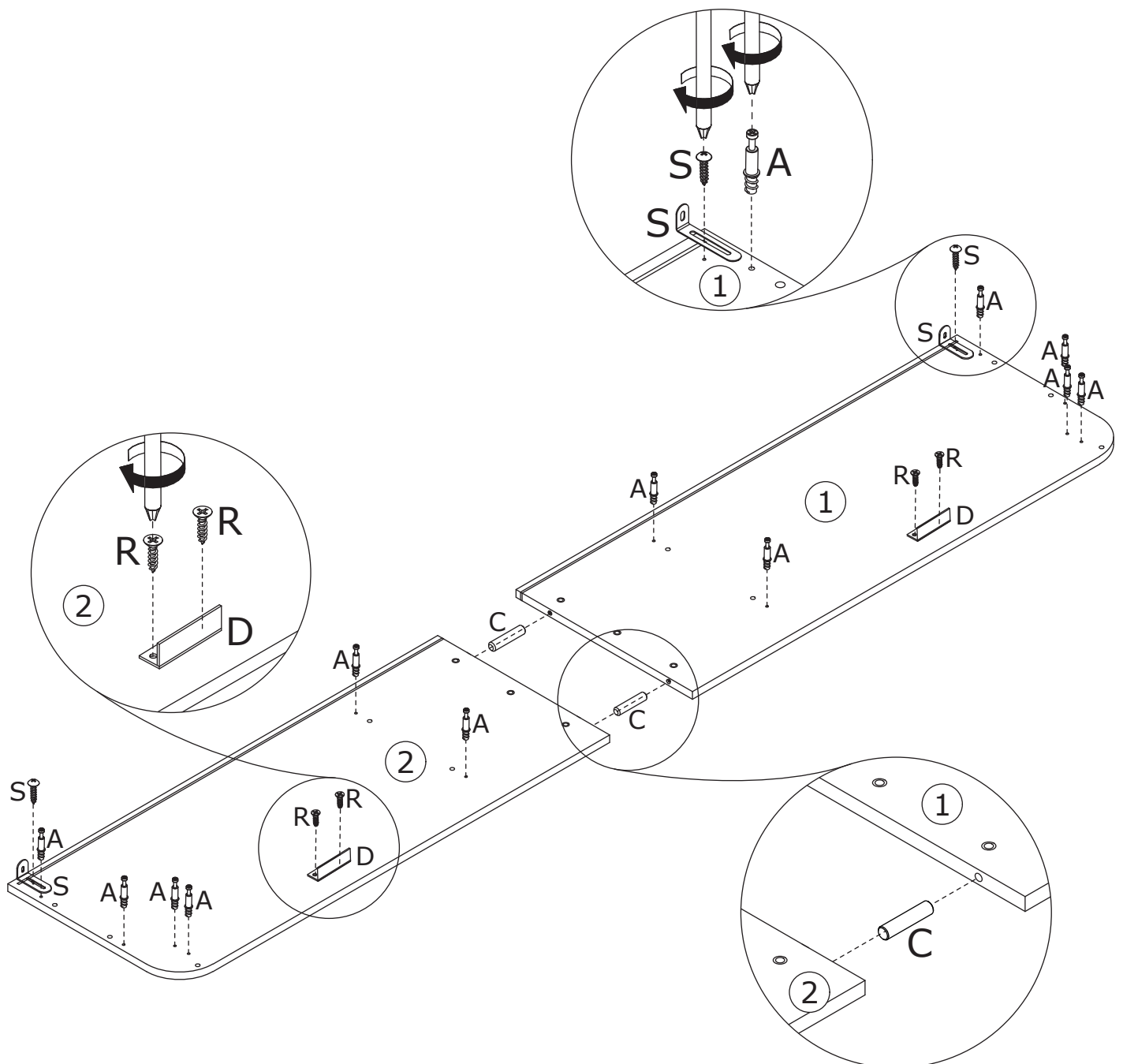
Insert back plates 27 and 28 along the available grooves.
Then insert wooden dowel (C) into plates 5, 15, 7, 8, 6, and 16.



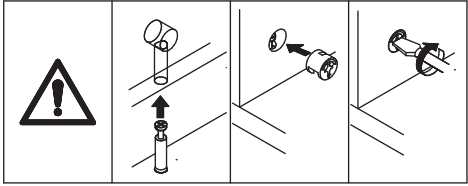
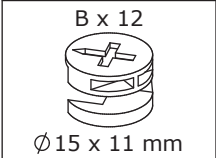
16



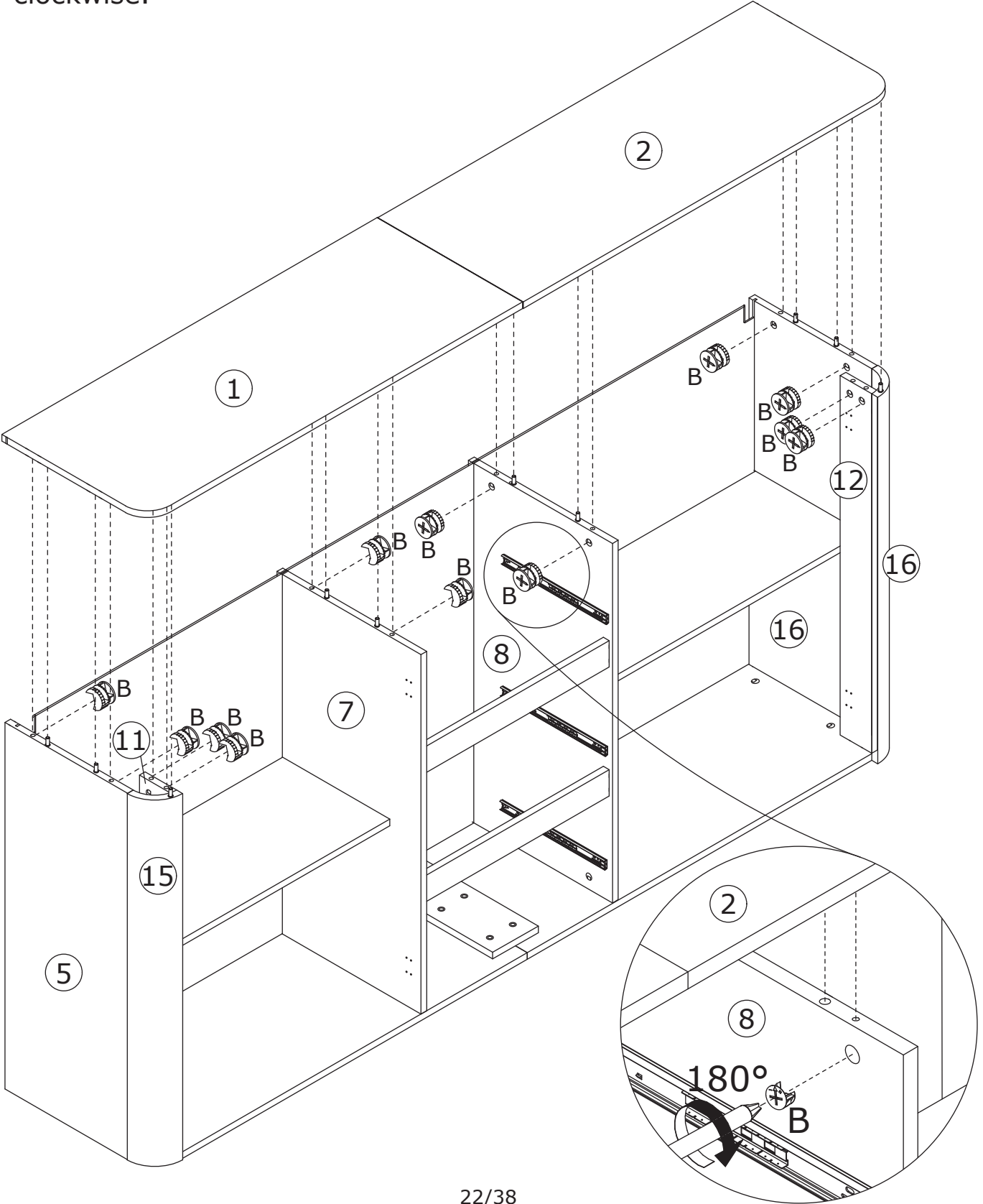
Screw self-tapping rod (A) to plates 1 and 2, secure bracket (S) and (D) using screw (S) and (R). Connect plates 1 and 2 using wooden dowel (C).



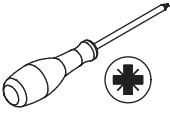
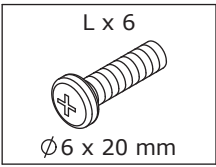
17



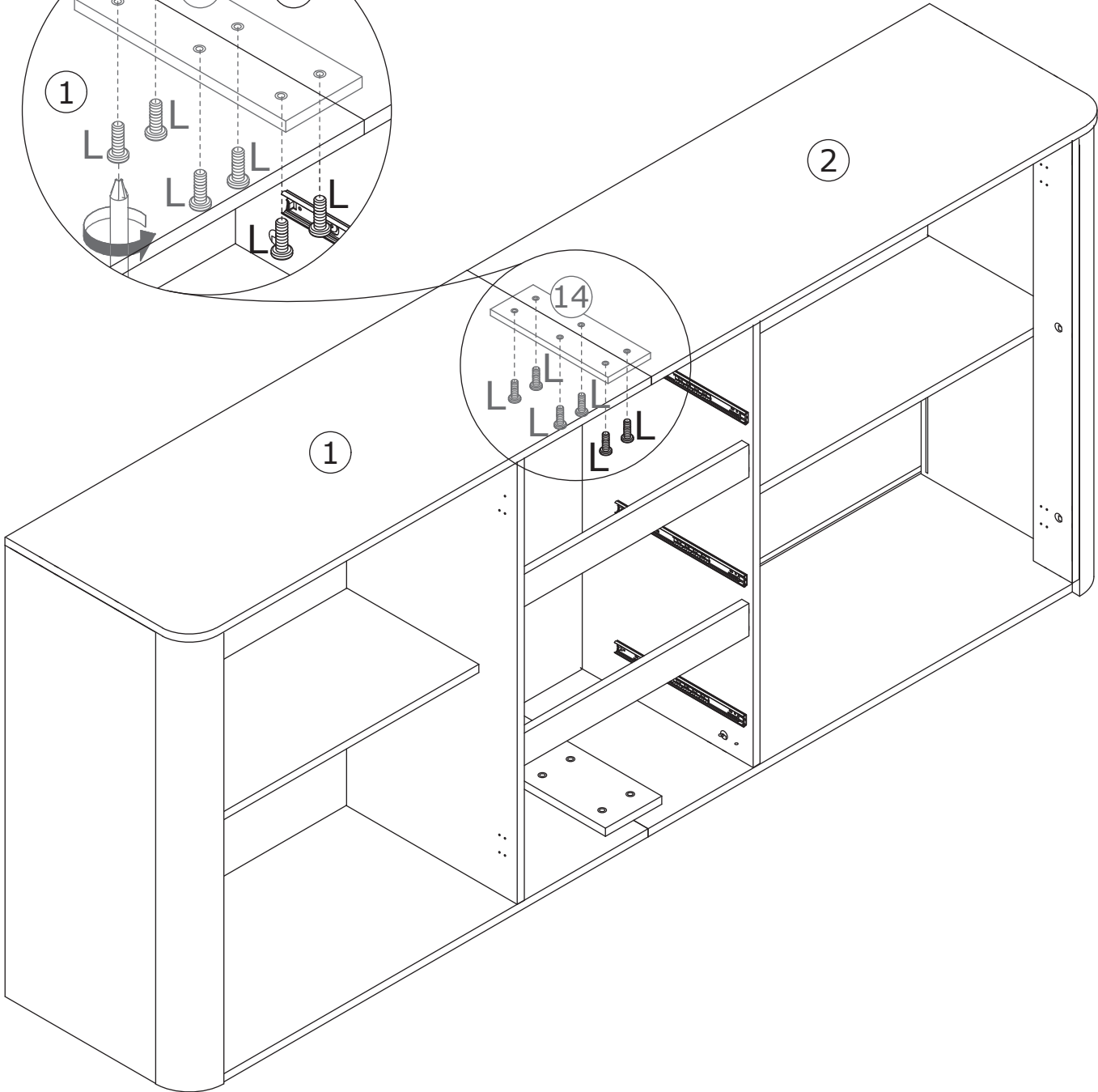
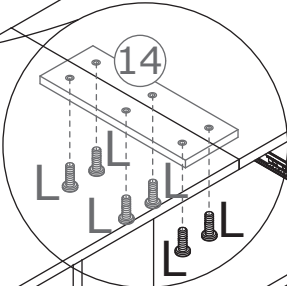
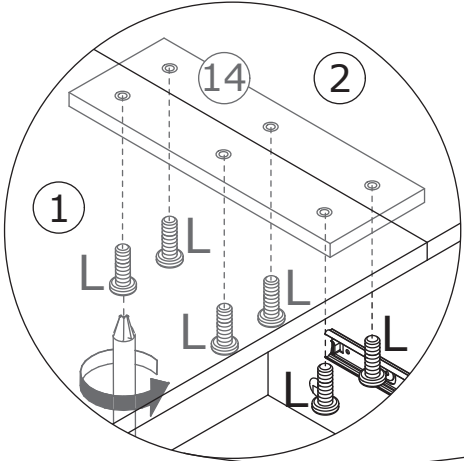
Connect plates 1 and 2 to the assembly unit, then tighten by turning cam lock (B) clockwise.



18



Secure plate 14 to plates 1 and 2 using screw (L).

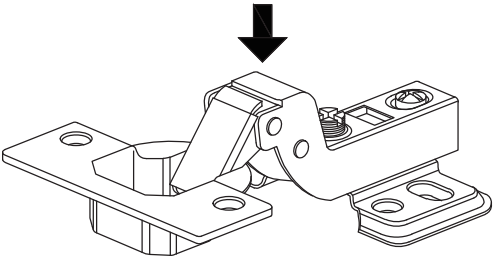




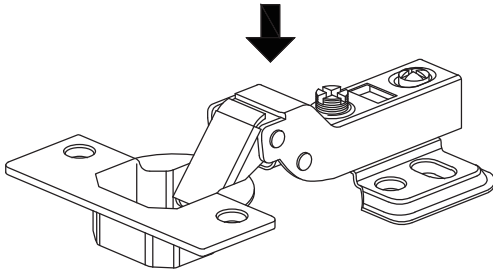
Pay attention to the difference between the middle parts of the two types of door hinges.



- The large curved door hinges(H) are used on the outermost door plates
- And the small curved door hinges(G) are used on the middle door plates

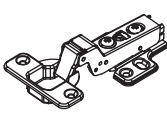

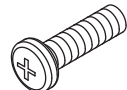
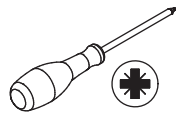



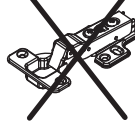
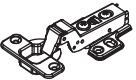
H

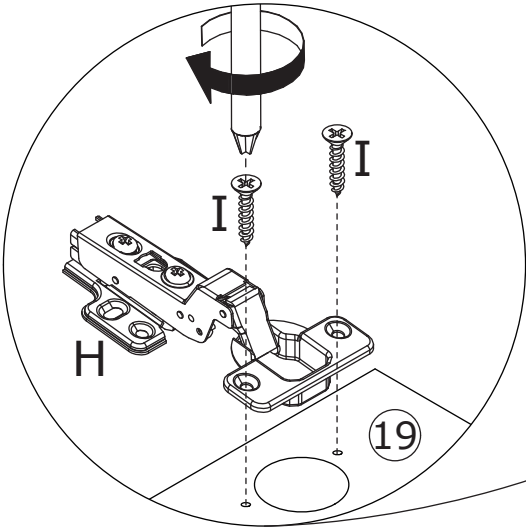


G

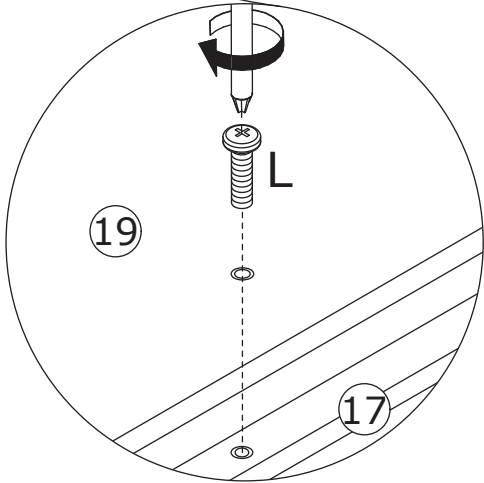
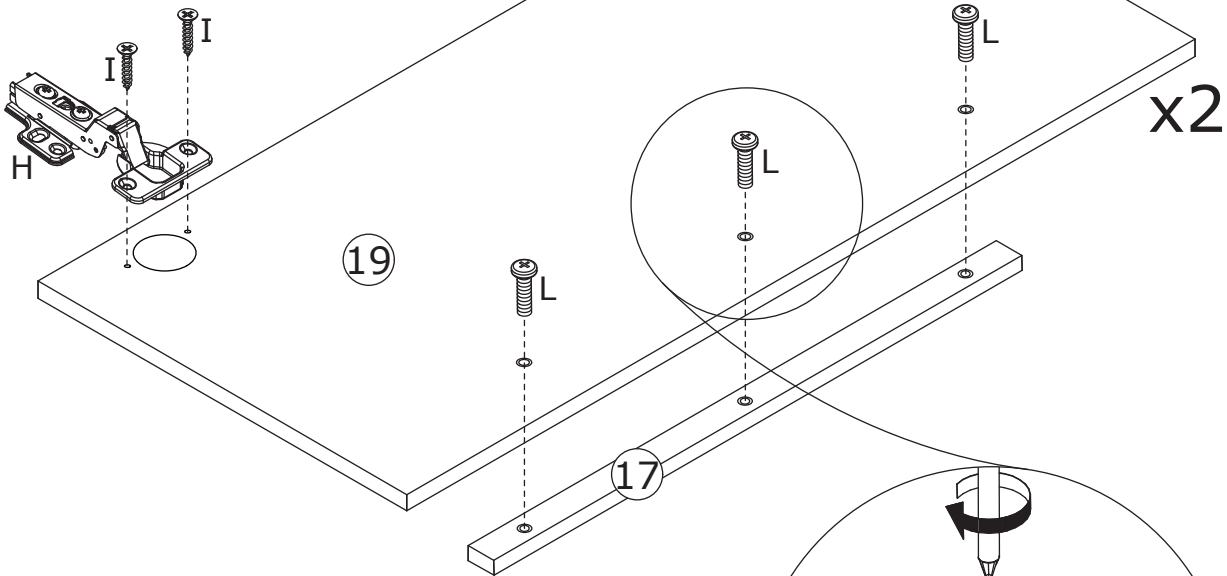
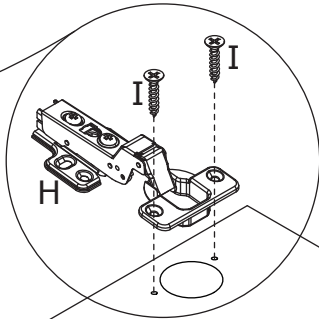
20

<p>H x 4</p> 	<p>I x 8</p>  <p>Ø 3.5 x 14 mm</p>	<p>L x 6</p>  <p>Ø 6 x 20 mm</p>	
--	---	---	---

	<p>G</p> 	<p>H</p> 
---	--	--

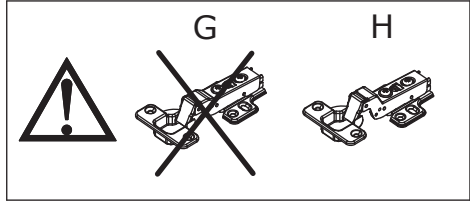
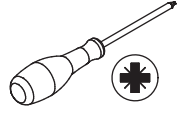


Secure hinge (H) to plate 19 using screw (I), then secure plate 17 to plate 19 using screw (L).

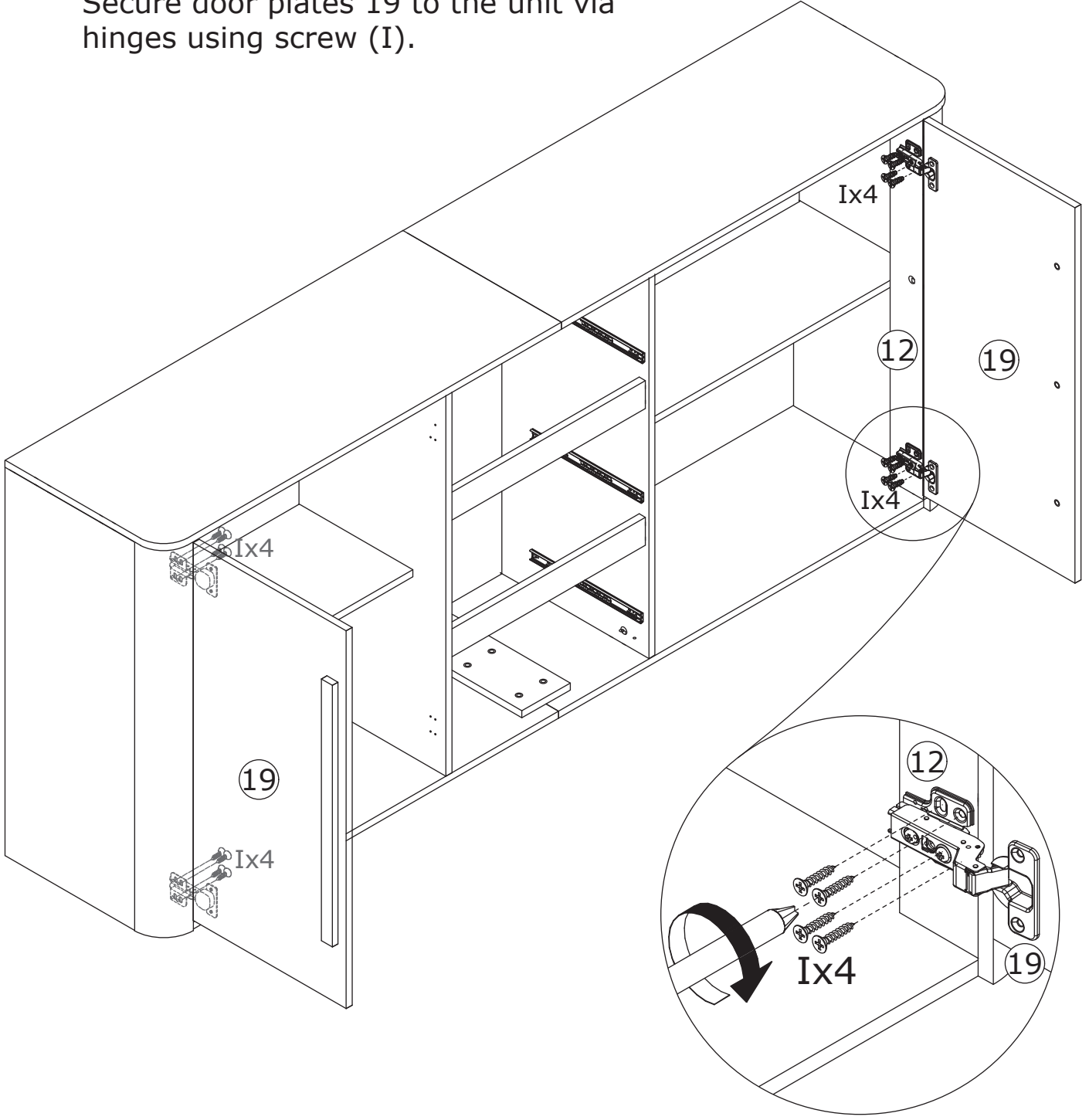


21

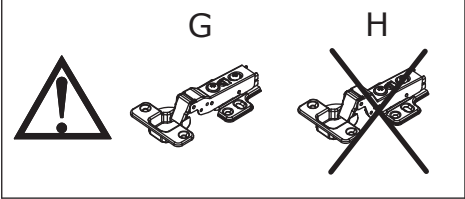
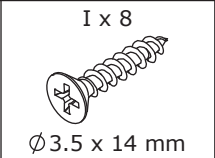
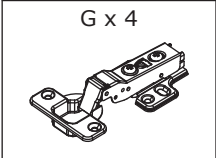
I x 16
Ø 3.5 x 14 mm



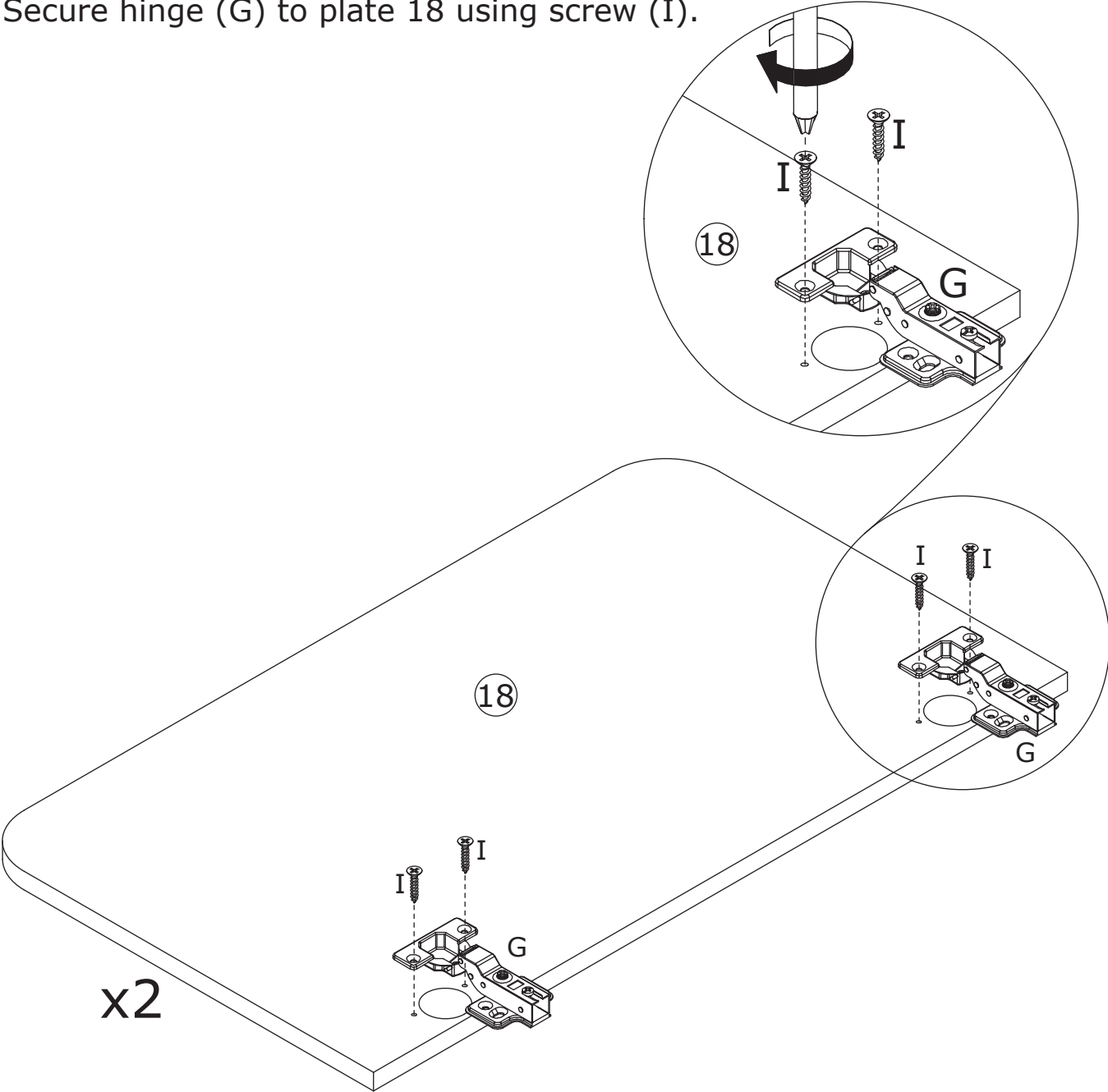
Secure door plates 19 to the unit via hinges using screw (I).



22

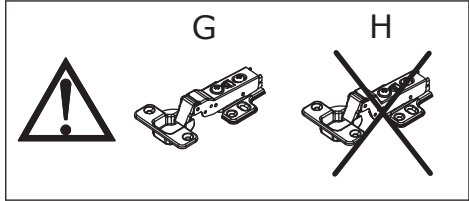
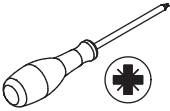


Secure hinge (G) to plate 18 using screw (I).

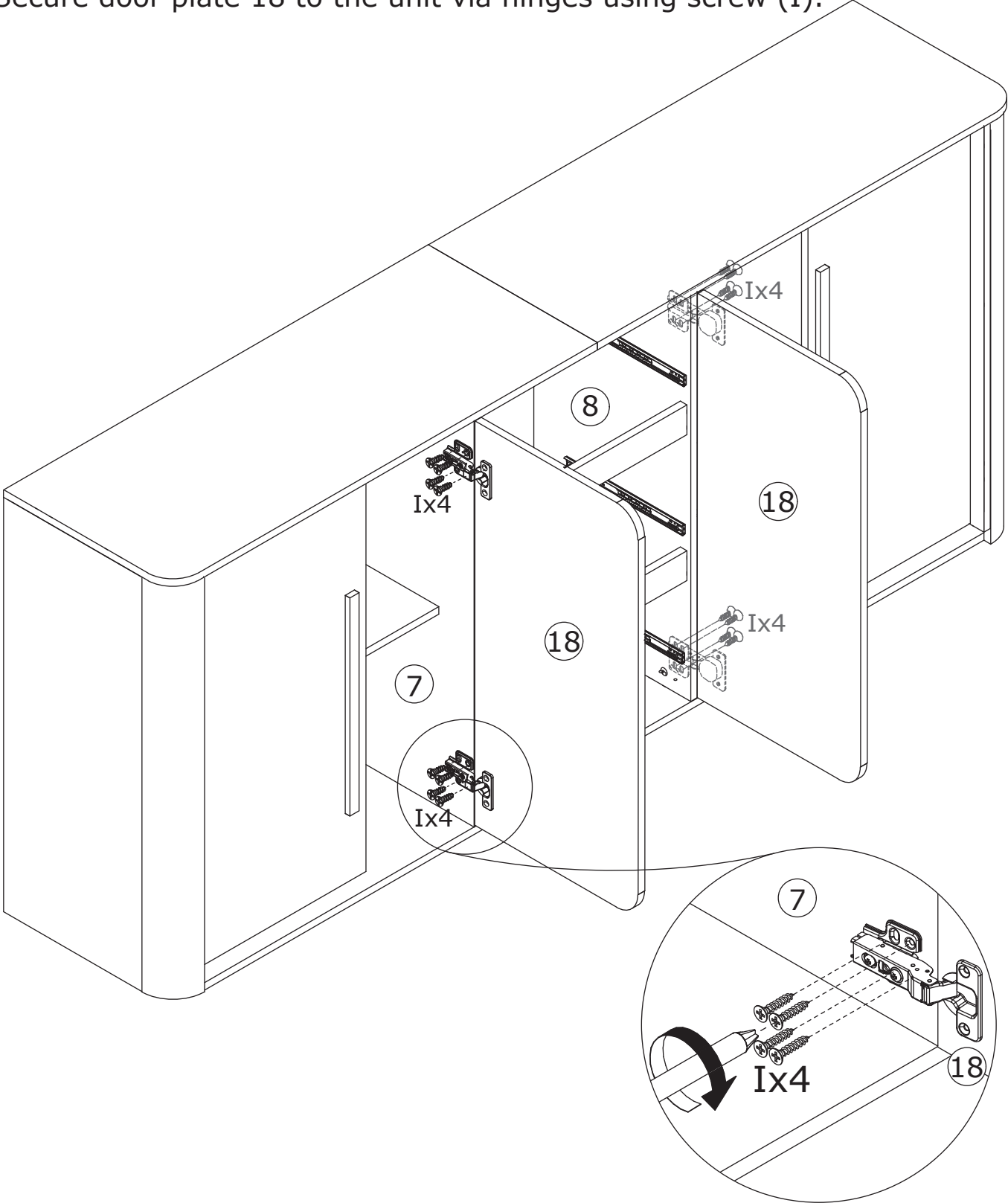


23

I x 16
Ø 3.5 x 14 mm

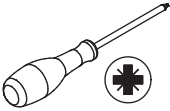


Secure door plate 18 to the unit via hinges using screw (I).

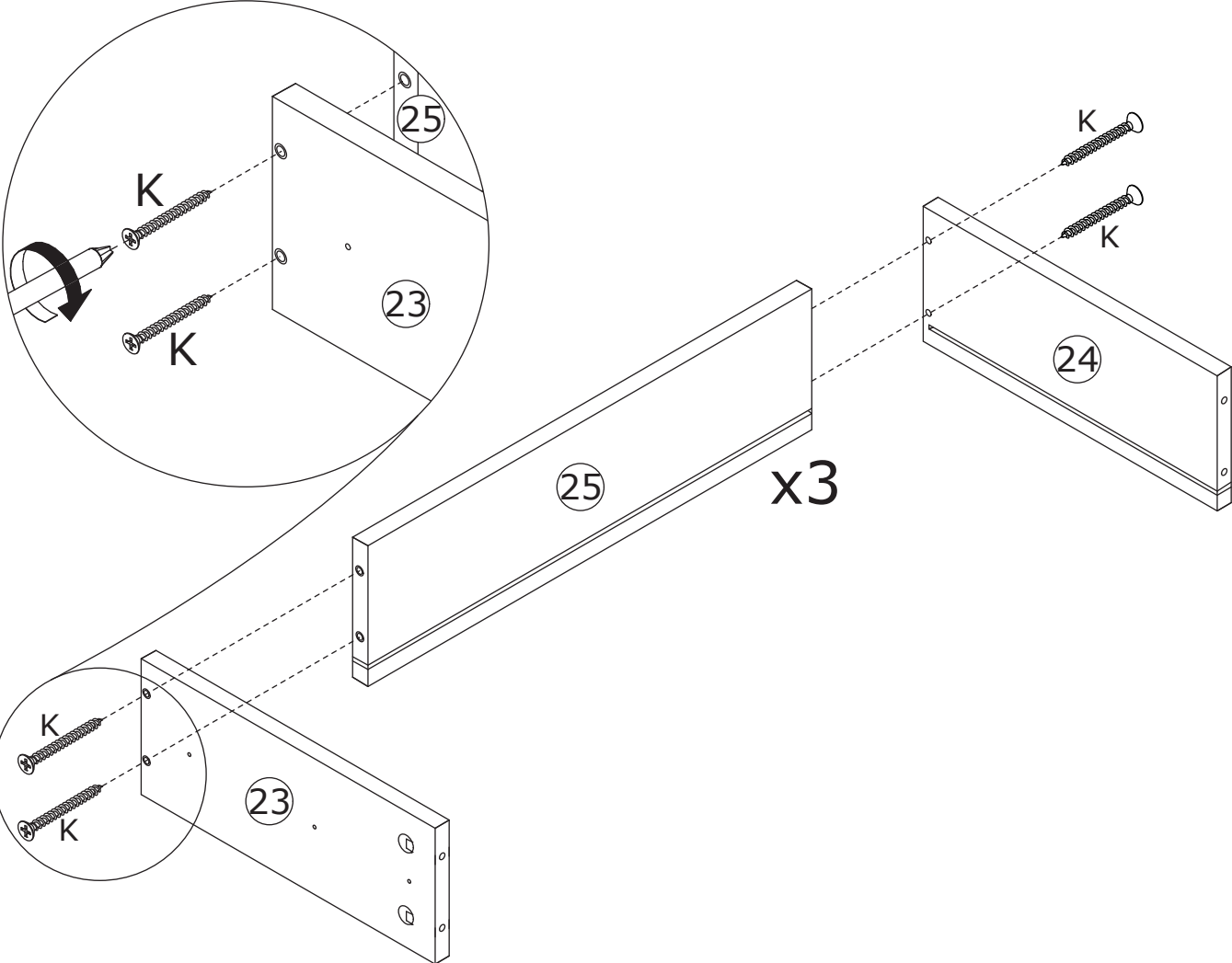


24

K x 12
Ø4 x 30 mm

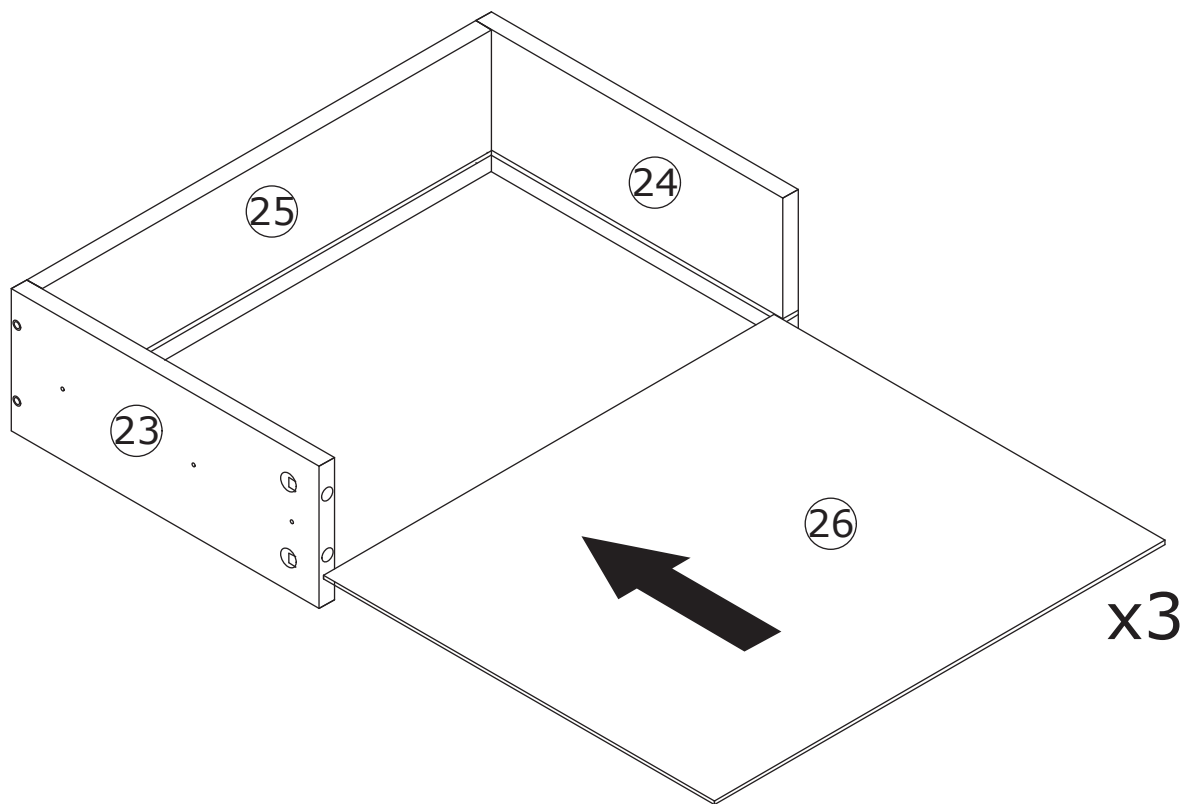


Secure plates 23 and 24 to plate 25 using screw (K).

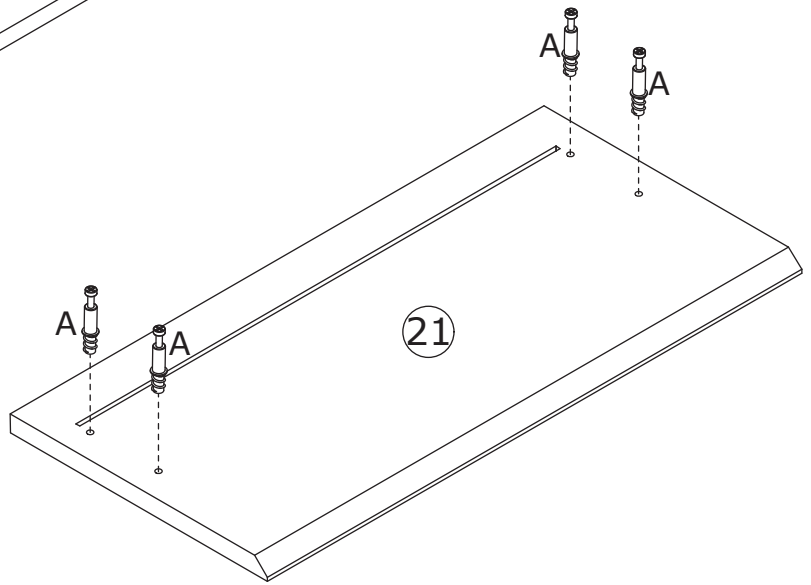
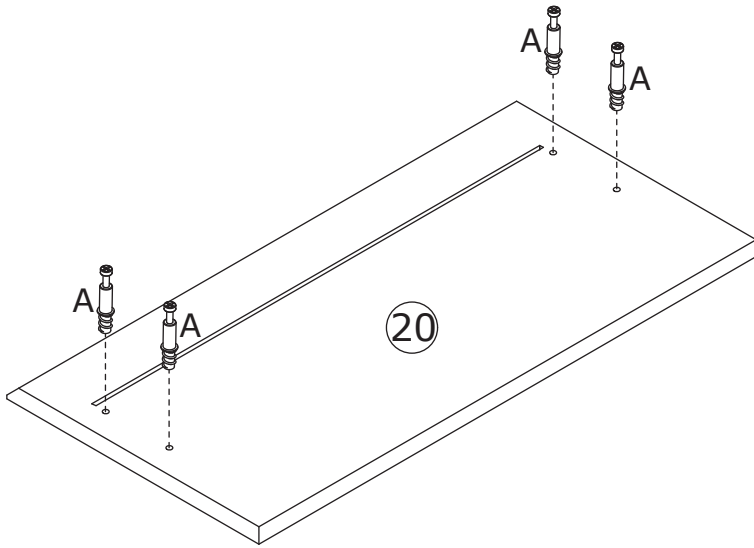
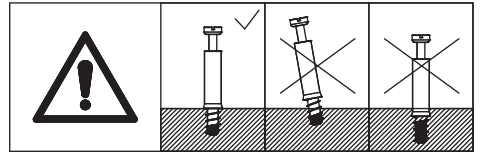
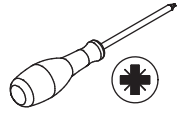
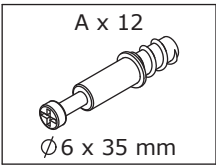


25

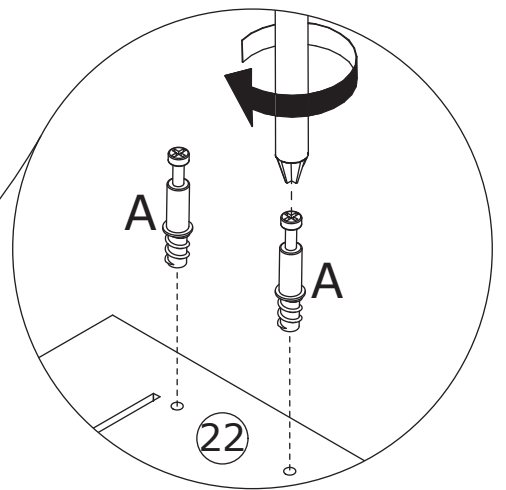
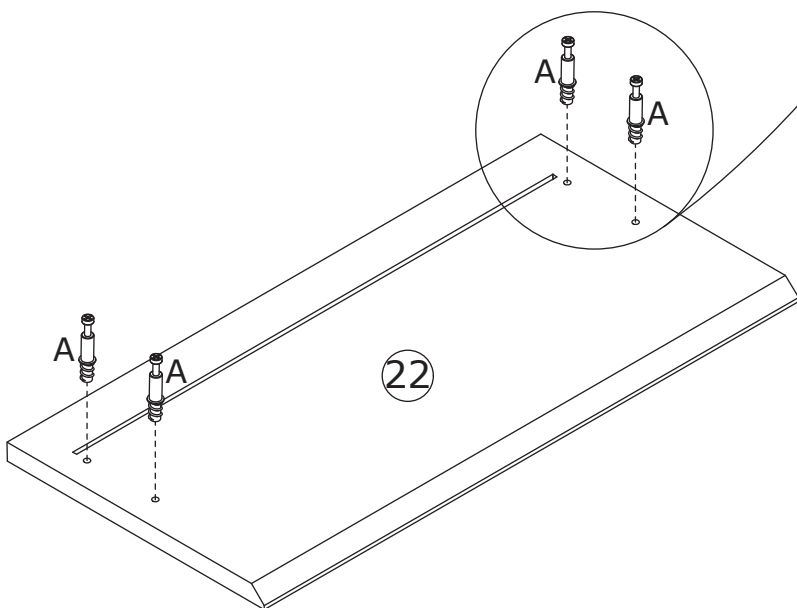
Insert bottom plate 26 along the grooves.



26

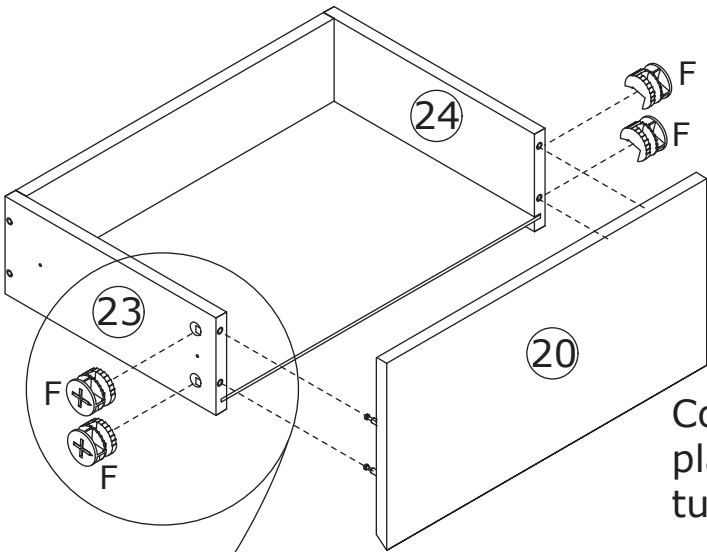
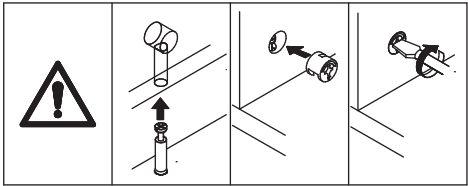
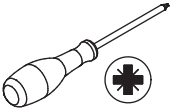


Screw self-tapping rod (A) onto plates 20, 21, and 22.

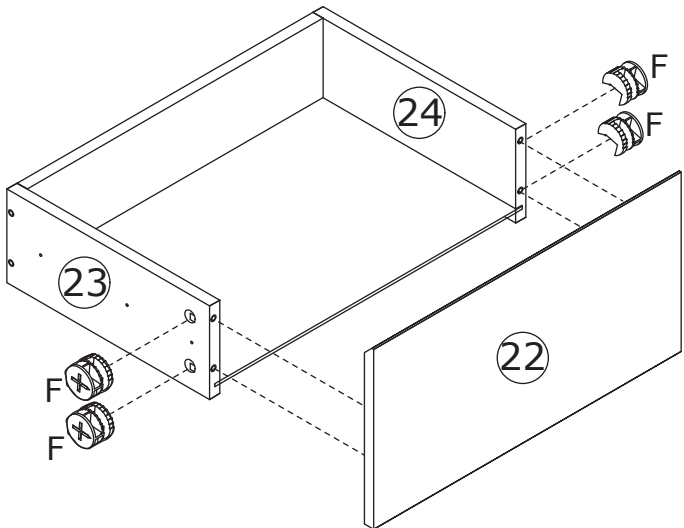
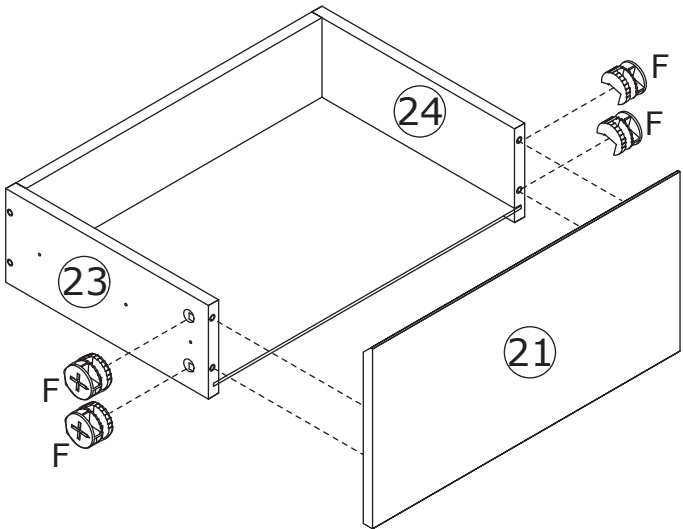
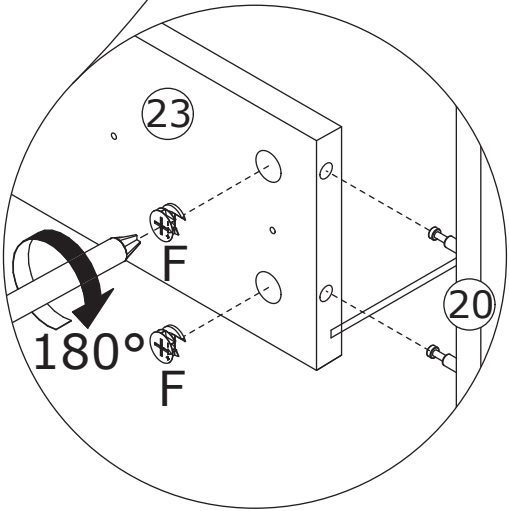


27

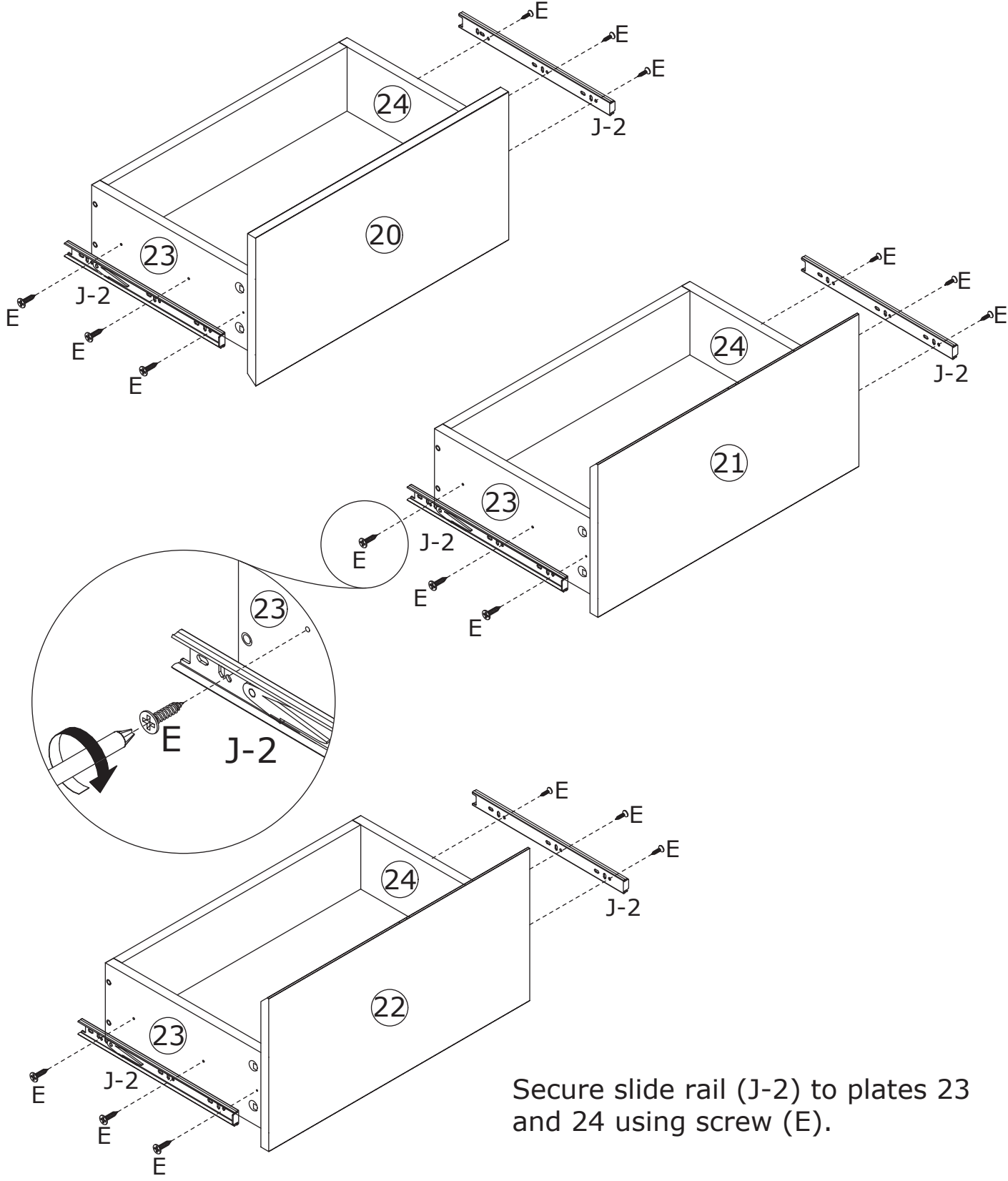
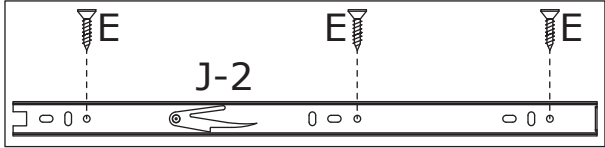
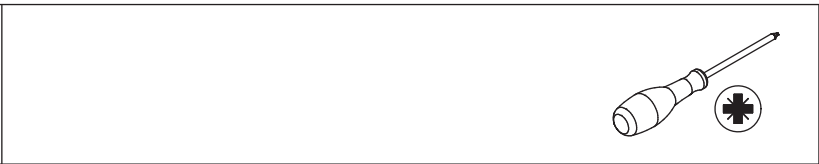
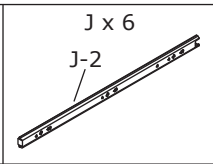
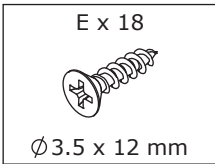
F x 12
Ø 15 x 9.5 mm



Connect plates 20, 21, and 22 to plates 23 and 24, then tighten by turning cam lock (F) clockwise.

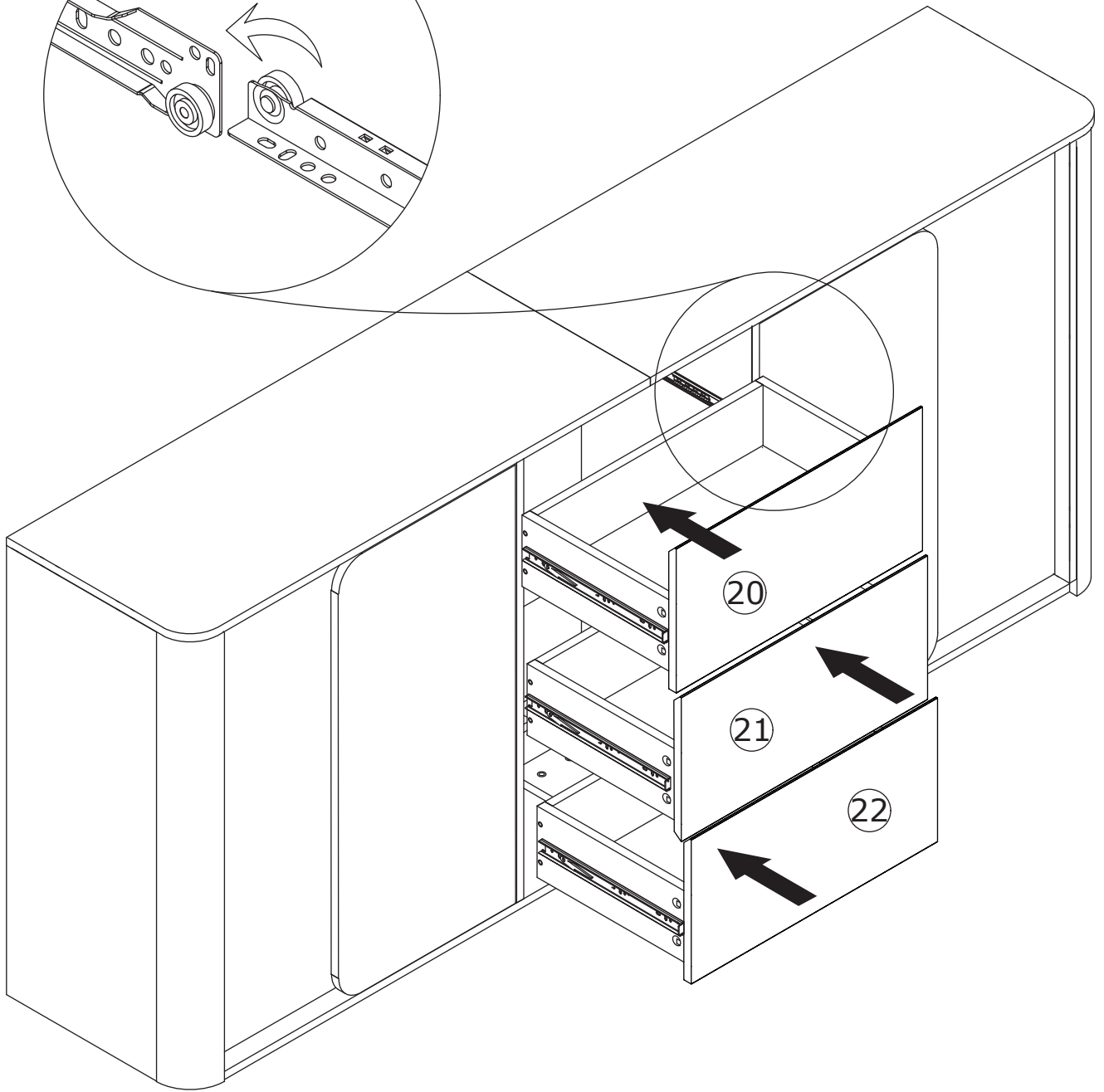
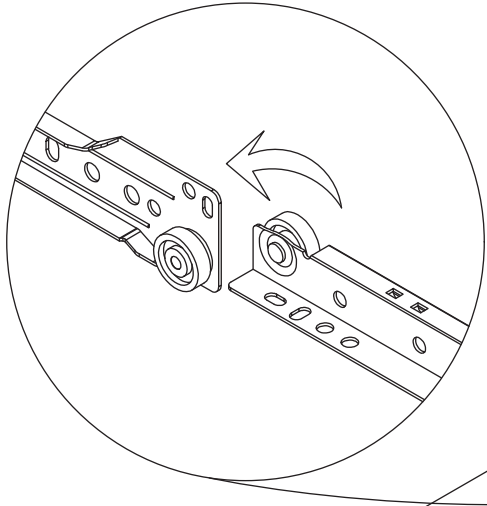
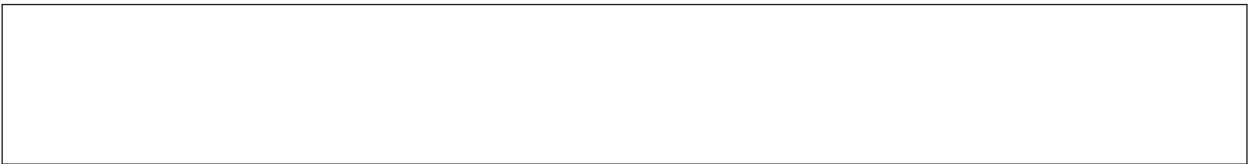


28

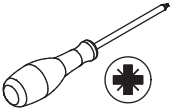
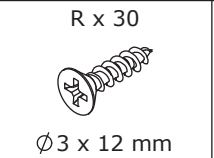
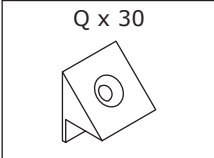


Secure slide rail (J-2) to plates 23 and 24 using screw (E).

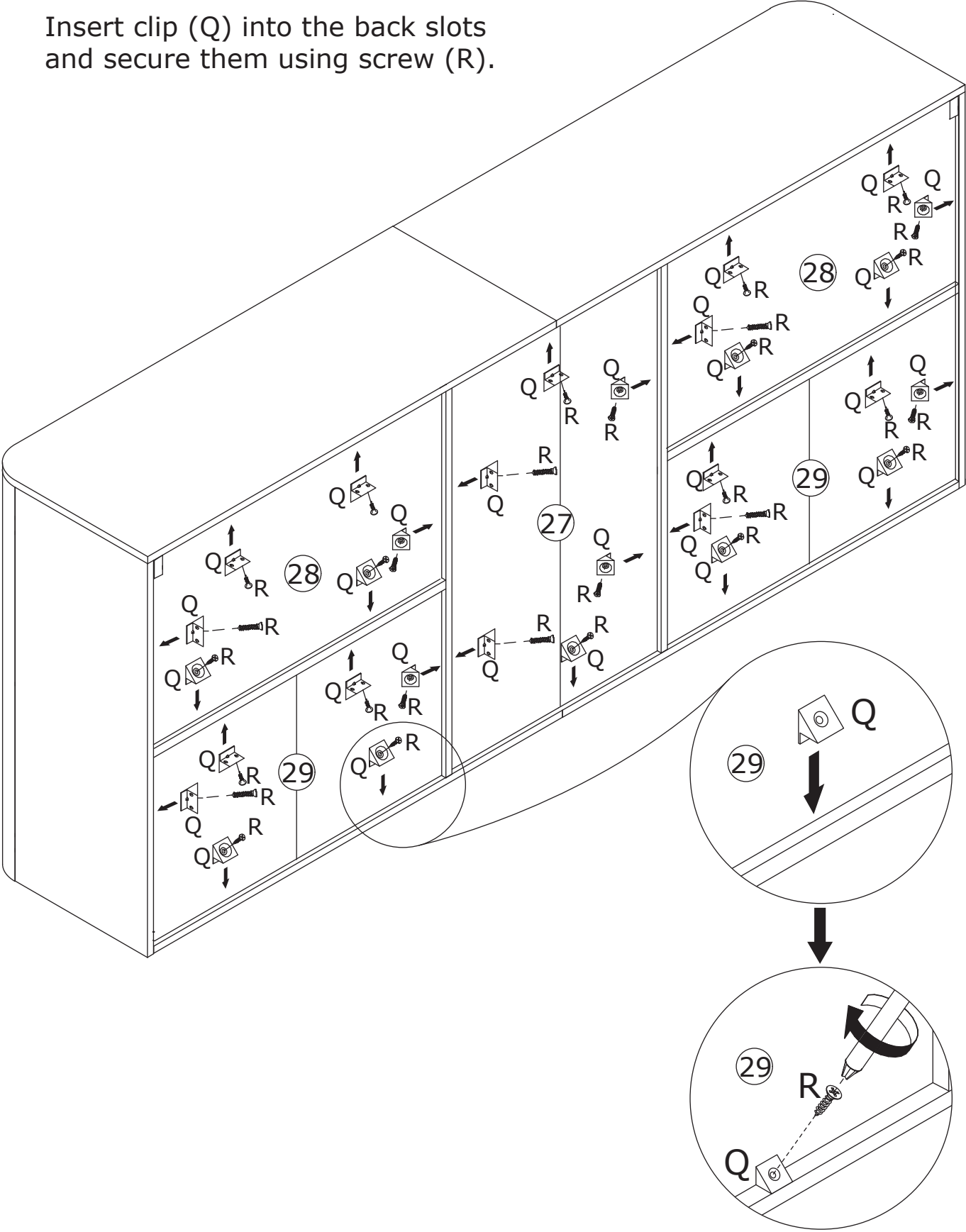
29



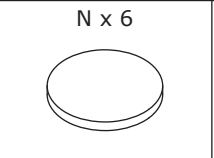
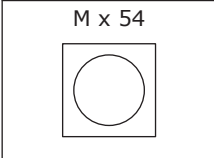
30



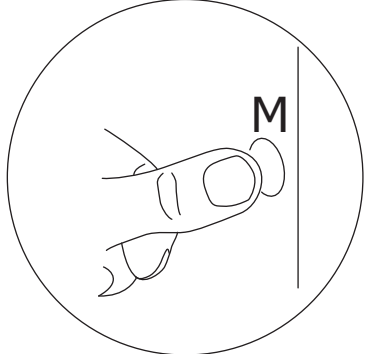
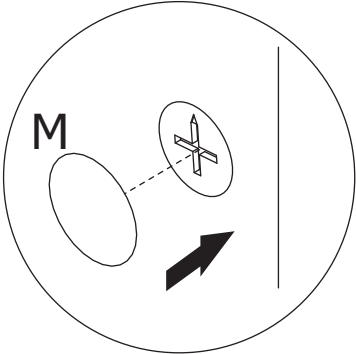
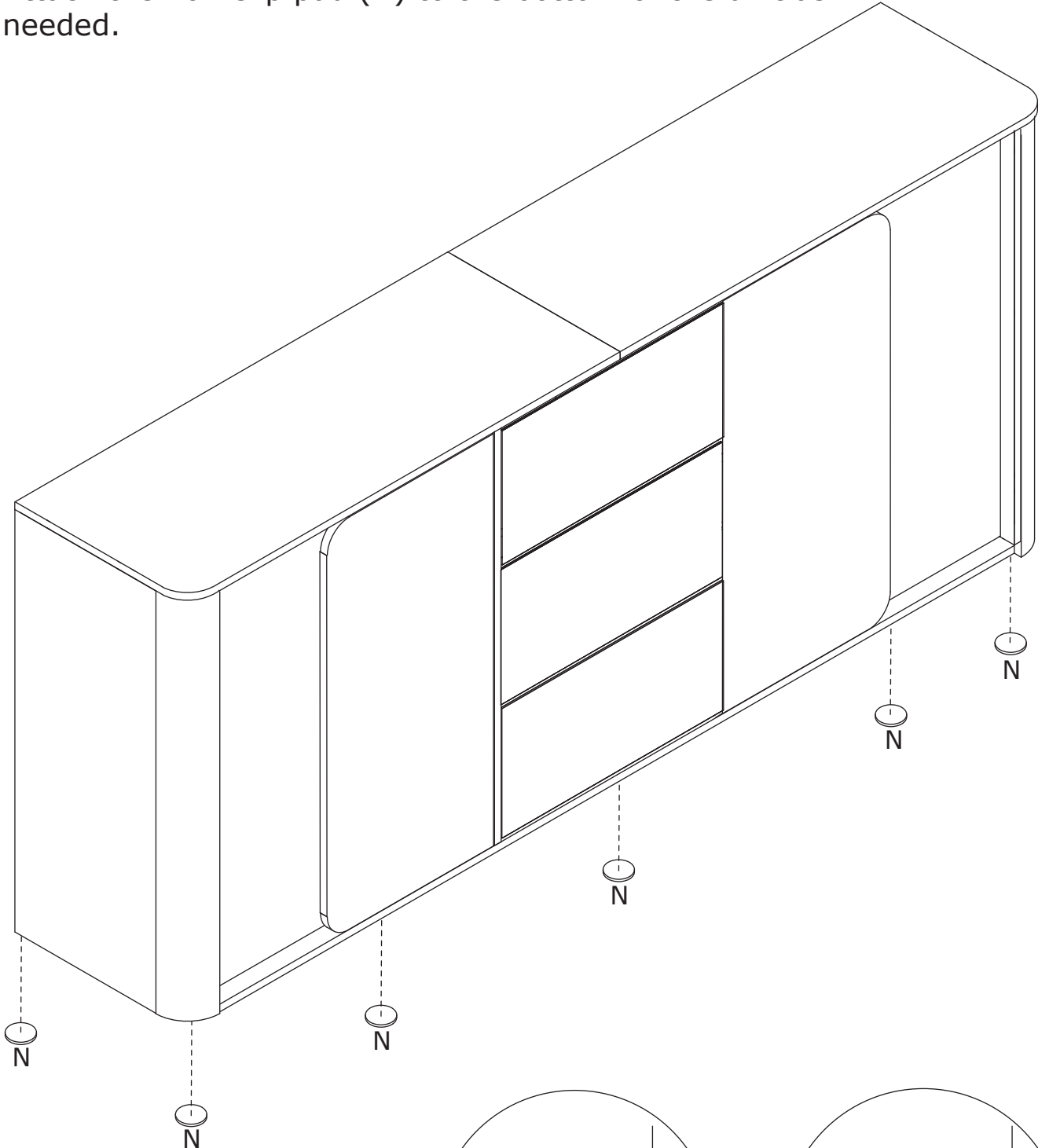
Insert clip (Q) into the back slots and secure them using screw (R).



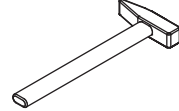
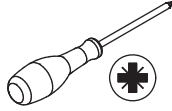
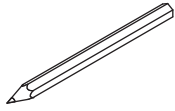
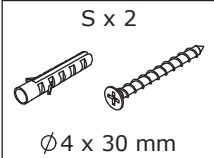
31



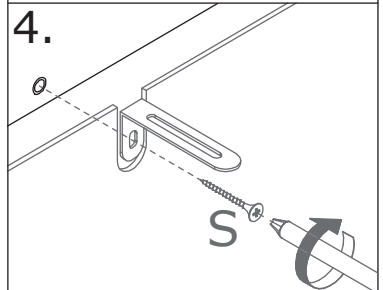
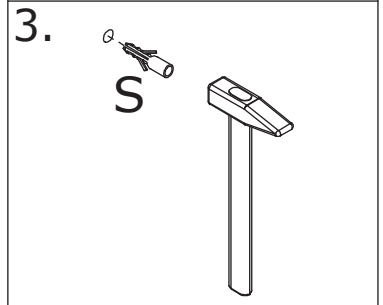
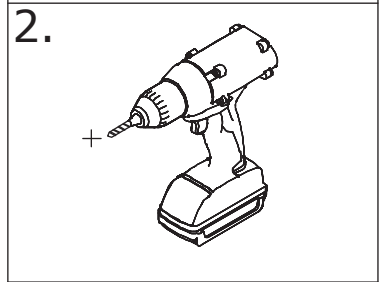
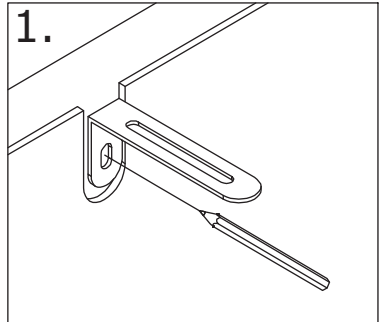
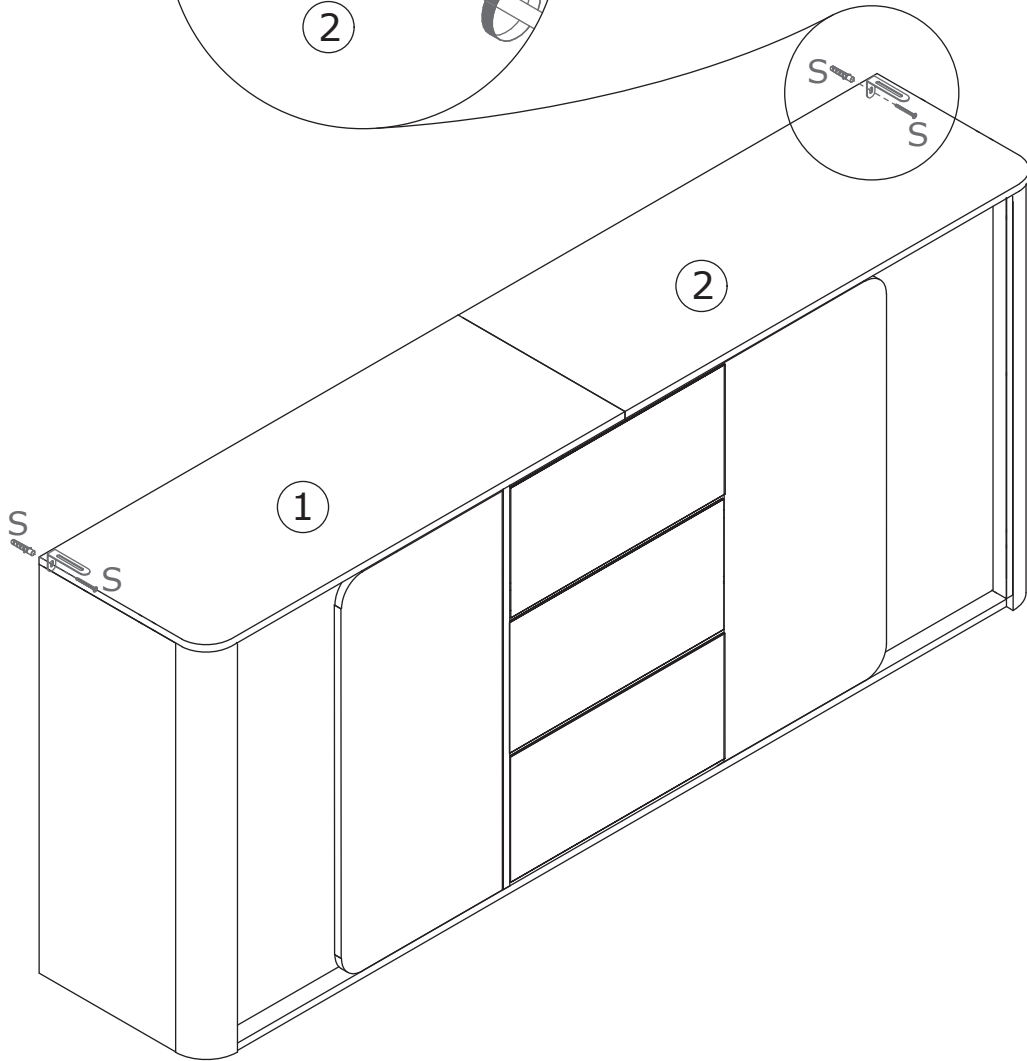
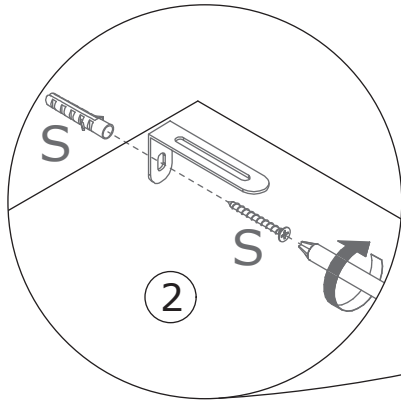
Stick the hole cover sticker (M) onto the cam lock holes.
Attach the non-slip pad (N) to the bottom of the unit as needed.

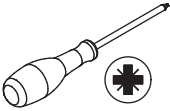


32



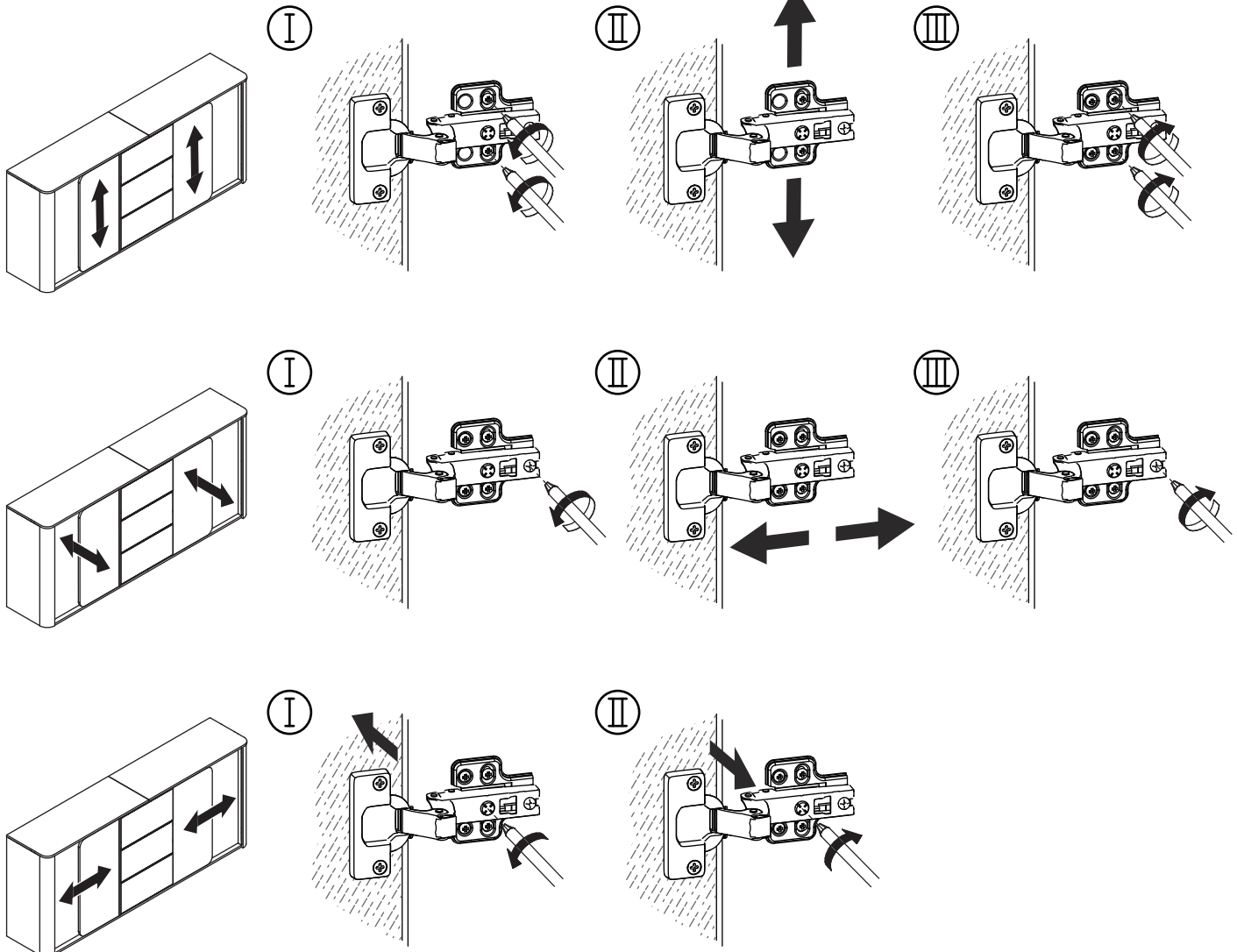
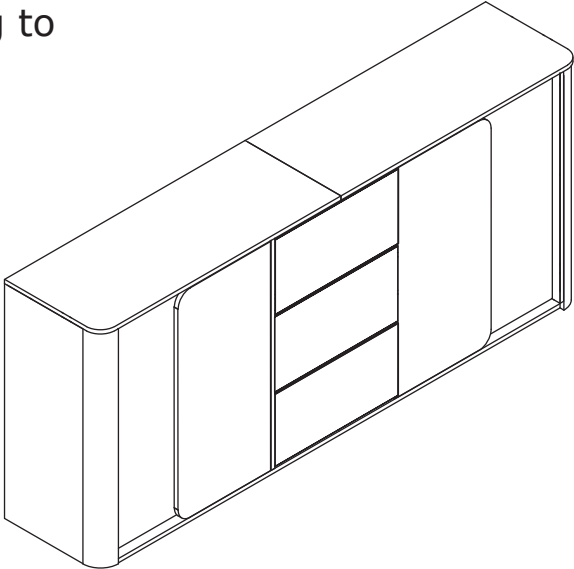
Install anti-tipping device.





If the door panels are not aligned, please adjust the screws on the hinges according to the illustration.

Or you can search this link to view the teaching video.
<https://youtu.be/n0Lb36SoODM>



WARRANTY

WARRANTY CLAIMS

- There is a 30-day warranty for broken furniture or any other problems that do not work properly. The warranty will start from the date of purchase which must be verified by proof of purchase.
- Before making a claim, we may be able to answer your query, simply call us. Please leave your purchase order number, along with some details of the problem, if you want a replacement part. We will arrange within 48 hours. If there is out of stock, we will reply with a shipping date.
- The product must be used in accordance with the instructions provided. For health reasons.
- For other reasons, if the furniture needs to be returned, it must be cleaned and dried and operated within 30 days of receipt.

Type of Warranty Claim

- Failure to follow the furniture instructions will invalidate the warranty. Attention please.
- Does not include damage during installation, but includes damage during transportation.

Scope of responsibility

- Shall not bear any responsibility for misuse or user damage and / or loss of parts during the installation of furniture.
- After using, the damage and scratches of the furniture are not covered by the warranty.

The Warranty Relates to All Bought in The Us and Covers The Following Areas

- Sheet parts: 1 month from the date of purchase.
- Electrical parts: 1 month from the date of purchase.

RETURNS

CHANGED YOUR MIND AND NEED TO RETURN YOU ITEM?

PLEASE FOLLOW THE BELOW INSTRUCTIONS:

- If you have purchased and have simply changed your mind, follow the retailer's instructions for returns.

DEFECTIVE ITEMS

- If your item is defective in any way, i.e. it doesn't work but you can't identify why, in the first instance, please call us.

DAMAGED ITEMS

- If you receive an order with obvious shipping damage from the retailer, then we suggest the delivery is refused. If the delivery has been accepted and then shipping damage is found, please follow the specific instructions advised by the retailer.
In all circumstances please save all packaging material and paperwork for the order. Please be aware that if you dispose of packaging material or attempt to return the merchandise without contacting the fulfiller, you jeopardise your chances of making a claim, and you may not receive a credit for the return.

AFTER-SALES CONTACT



adelahu@fufugaga.com



208-820-0068