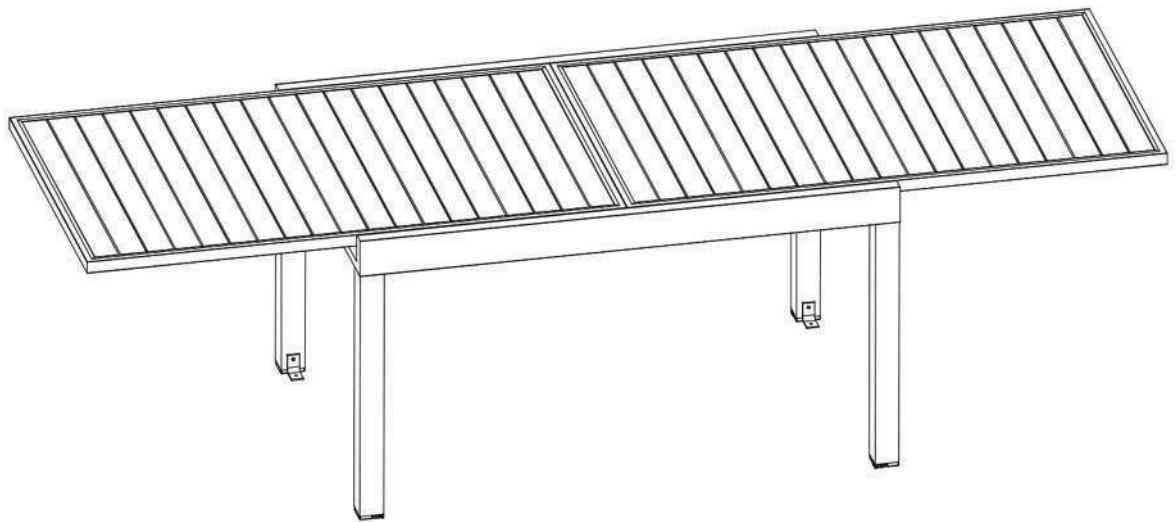
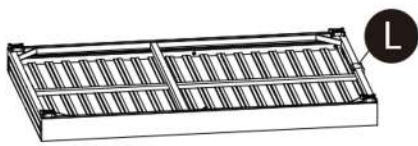


Aluminum Extendable Dining Table

ASSEMBLY MANUAL



MODEL#: LTFA5058



L



B x4



C x4



G x4



H x4

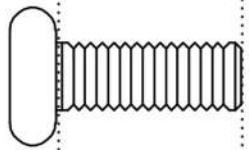


J x1

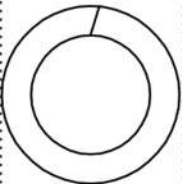


K x1

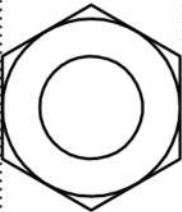
A x1



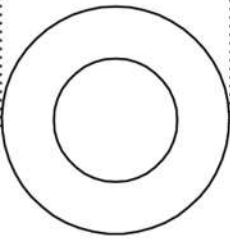
I x4 M6*16



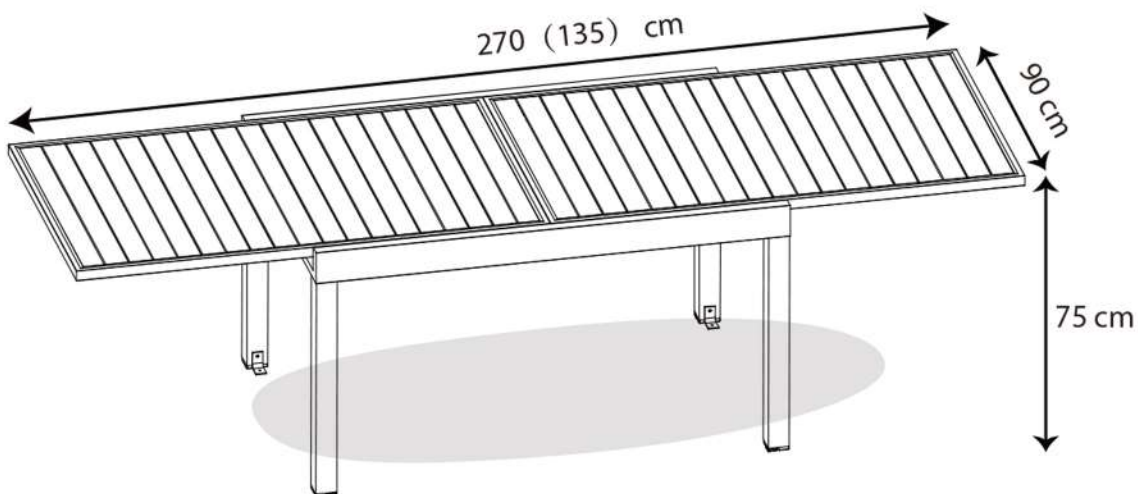
E x8



F x8

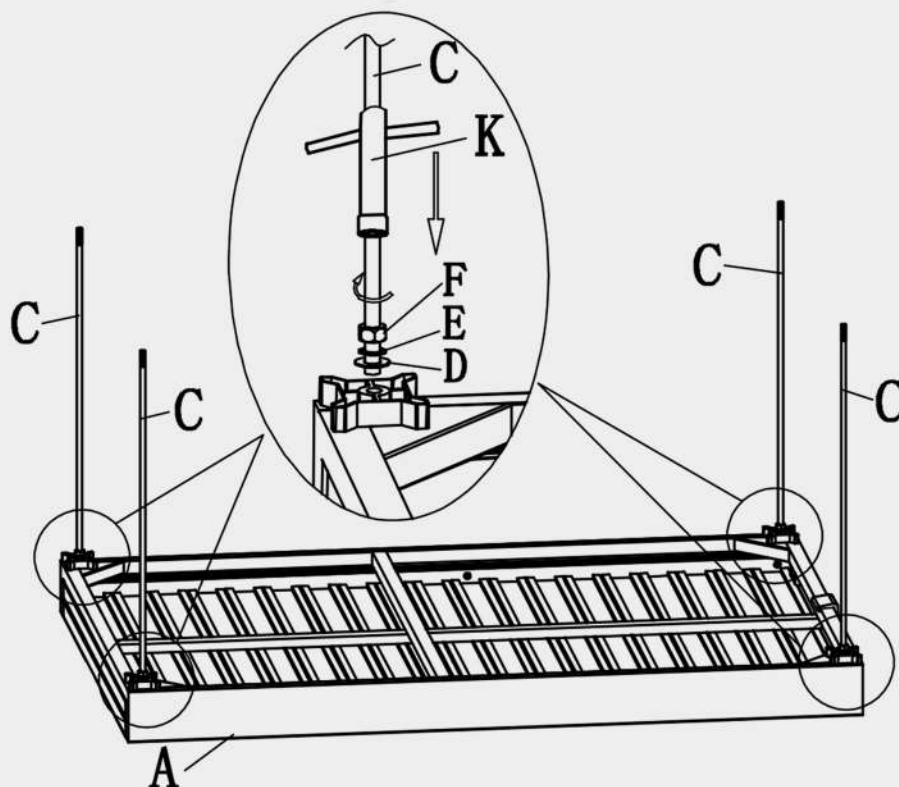
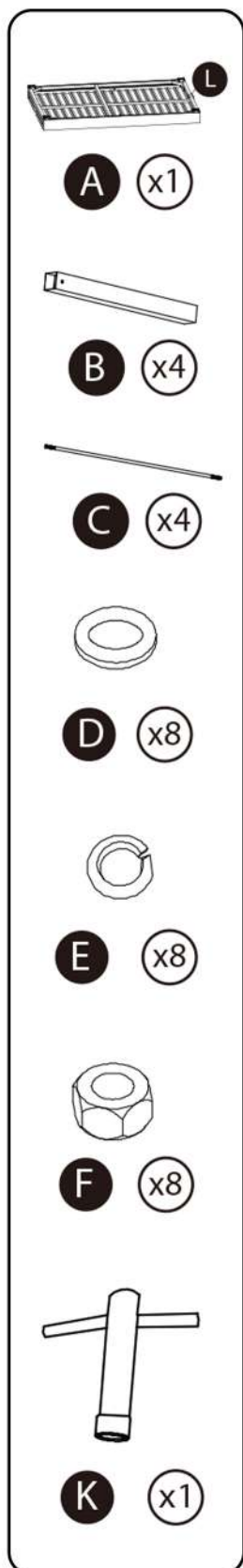


D x8



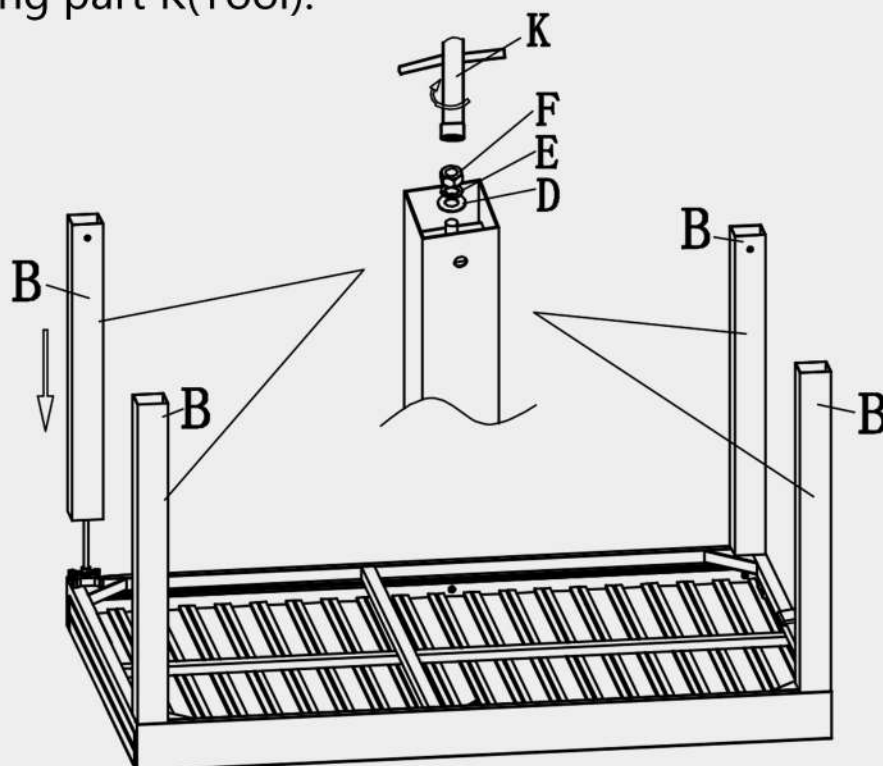
Step 1:

Screw part F to part C, then put on E and D. Finally, assemble part C to part A by lock F with part K(Tool).



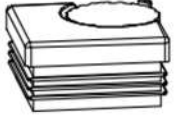
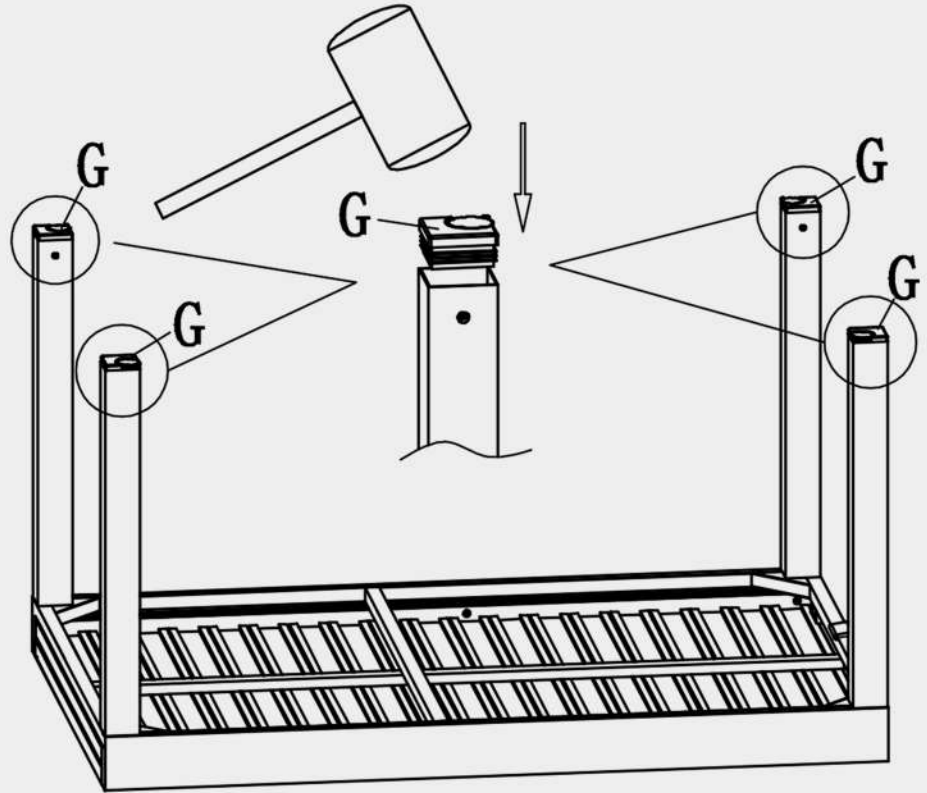
Step 2:

Cover part C with part B, then put D,E shown in the diagram. Then lock part F(screw) using part K(Tool).



Step 3:

Knock part G using hammer as shown in the diagram. (Hammer is not included.)



G (x4)



H (x4)



M6*16

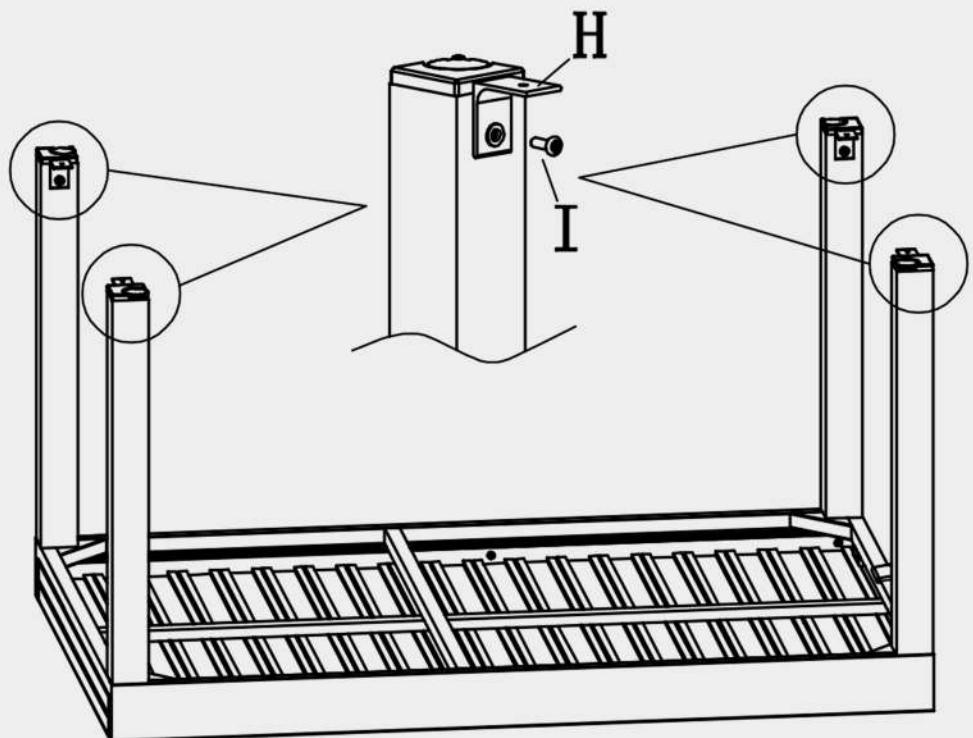
I (x4)



J (x1)

Step 4:

Fix part H to the leg as shown in the diagram with screws (part I) using the wrench (part J).



How to use it?

