

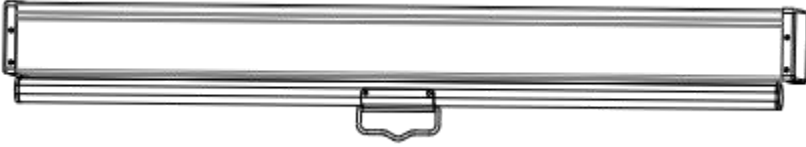


# **RETRACTABLE SIDE AWNING**

# WARNING

- When mounting the awning, keep the cassette part and stand column on the horizon, or the fabric will deform and become difficult to open and close.
- We recommend that two or more people are required to lift the awning into place.

# COMPONENTS



A: (x1)



B: (x1)



C: (x1)



D: (x4)  
M8 x 70



E: (x4)  
M8



F: (x8)  
 $\Phi 8$



G: (x2)



H: (x4)  
st5 x 30



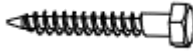
I: (x4)  
8 x 39



J: (x1)  
M6 x 32



K: (x1)



L: (x4)  
st8 x 50

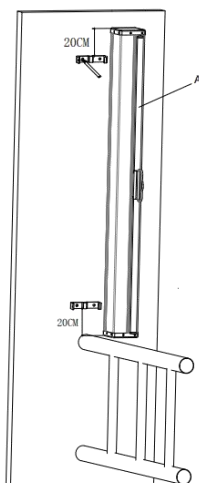


M: (x4)  
 $\Phi$  10 x 48

# INSTALLATION

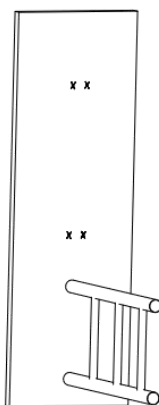
## Step 1

Mark the height of A on the wall.



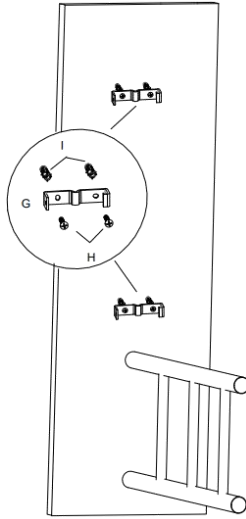
## Step 2

Drill holes.



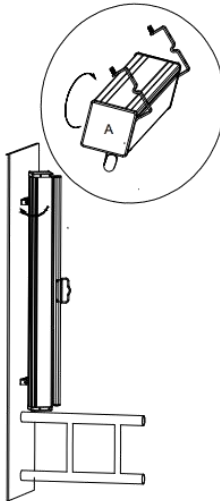
**Step 3**

Insert I into the holes. Attach G to the holes with H as shown.



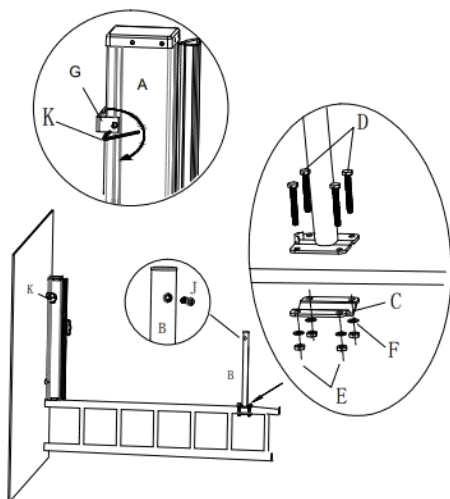
**Step 4**

Attach A to G as shown.



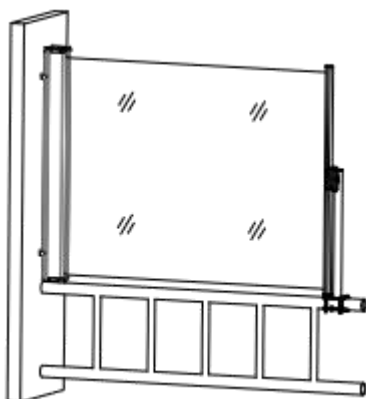
### Step 5

Fasten A and G together using K. According to the maximum expanded size of the awning, mark the position of B. Attach B to the marked place with C, F, E and D as shown. Insert J to the corresponding position of B.



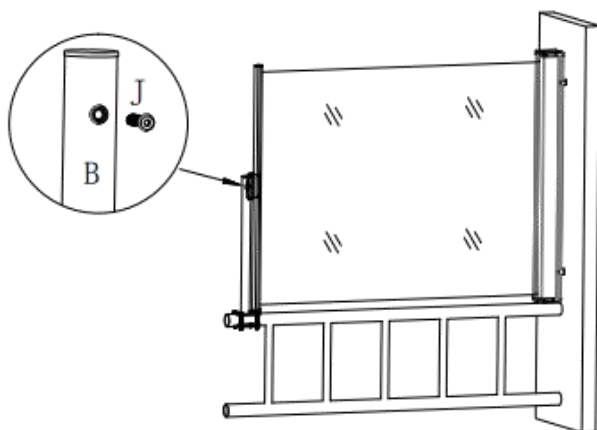
### Step 6

Open the awning.



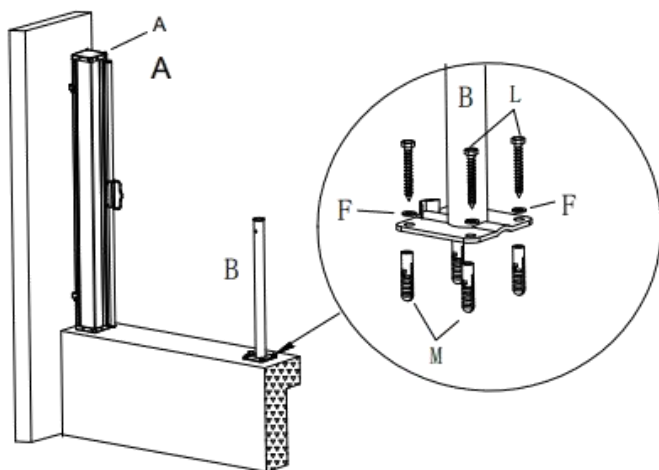
### Step 7

Insert J to the corresponding position of B.



### Step 8

Insert M into the marked place. Attach B to the corresponding holes with F and L.



# CLEANING & CARE

- Awnings should be cleaned at least once a year.
- Cleaning consists of brushing off debris with broom, brushing on a non-detergent cleaning compound (such as 1/2 vinegar, 1/2 water), letting it sit for 20 minutes and rinsing.
- Remember that your awning is an exterior product, you must clean your awning to preserve and extend its beauty and life.
- Do not use any cleaners with chemicals, solvents, or harsh abrasives.