


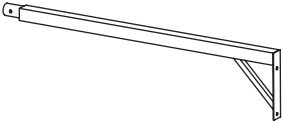
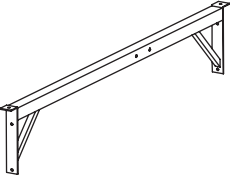



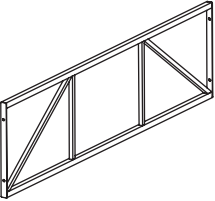
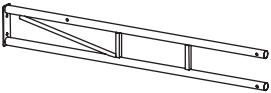
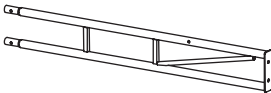

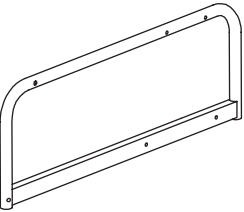

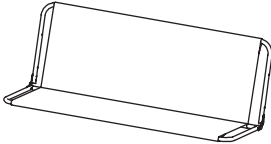


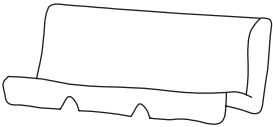
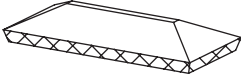
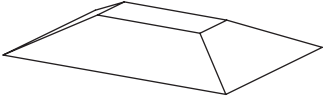
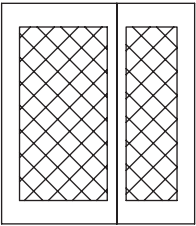

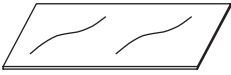
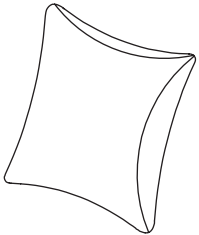


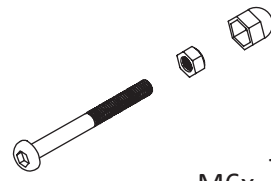
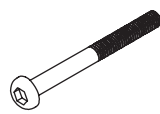
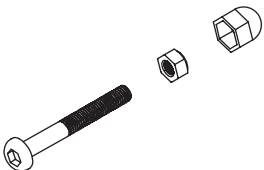
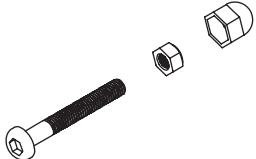
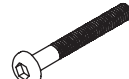
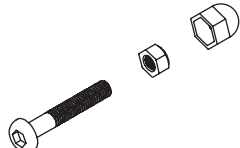
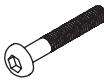
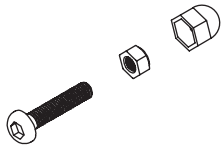

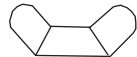
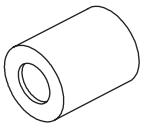



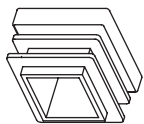
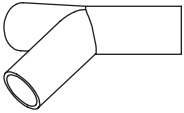
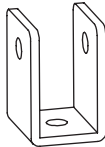
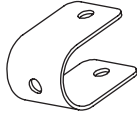



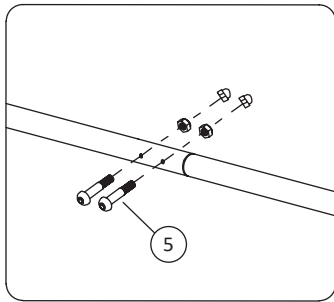
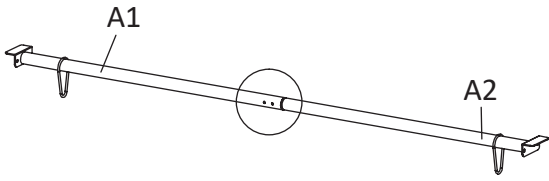


<p>A1x1</p> 	<p>A2x1</p> 	<p>B1x2</p> 	<p>B2x2</p> 
<p>Cx2</p> 	<p>Dx4</p> 	<p>E1x2</p> 	<p>E2x2</p> 
<p>Fx2</p> 	<p>G1x1</p> 	<p>G2x1</p> 	<p>Hx4</p> 
<p>Ix2</p> 	<p>Jx1</p> 	<p>Kx1</p> 	<p>Lx4</p> 
<p>Mx1</p> 	<p>Nx1</p> 	<p>Ox1</p> 	<p>Px1</p> 
<p>Qx4</p> 	<p>Rx2</p> 	<p>Sx2</p> 	<p>Tx2</p> 

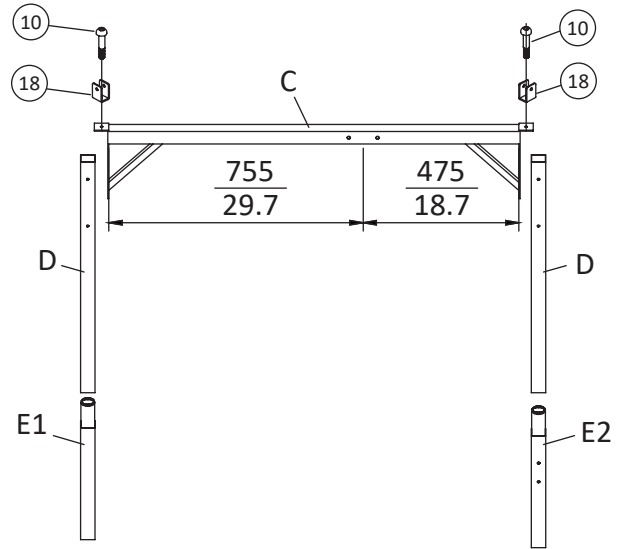
<p>Ux2</p> 	<p>① x2</p> 	<p>② x2</p>  <p>M6x $\frac{75}{2.9}$</p>	<p>③ x2</p>  <p>M6x $\frac{75}{2.9}$</p>
<p>④ x32</p>  <p>M6x $\frac{50}{2.0}$</p>	<p>⑤ x8</p>  <p>M6x $\frac{45}{1.8}$</p>	<p>⑥ x2</p>  <p>M6x $\frac{40}{1.6}$</p>	<p>⑦ x4</p>  <p>M6x $\frac{35}{1.4}$</p>
<p>⑧ x2</p>  <p>M6x $\frac{35}{1.4}$</p>	<p>⑨ x6</p>  <p>M6x $\frac{30}{1.2}$</p>	<p>⑩ x6</p>  <p>M6x $\frac{20}{0.8}$</p>	<p>⑪ x4</p>  <p>M6</p>
<p>⑫ x2</p>  <p>$\phi 6.5 \times \frac{15}{0.6}$</p>	<p>⑬ x12</p>  <p>$\phi 19$</p>	<p>⑭ x4</p>  <p>$\phi 25$</p>	<p>⑮ x4</p>  <p>$\phi 32$</p>
<p>⑯ x4</p>  <p>$\frac{40}{1.6} \times \frac{40}{1.6}$</p>	<p>⑰ x2</p> 	<p>⑱ x4</p> 	<p>⑲ x2</p> 
		 <p>mm inch</p> <p>x2</p>	

1



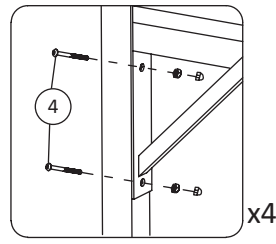
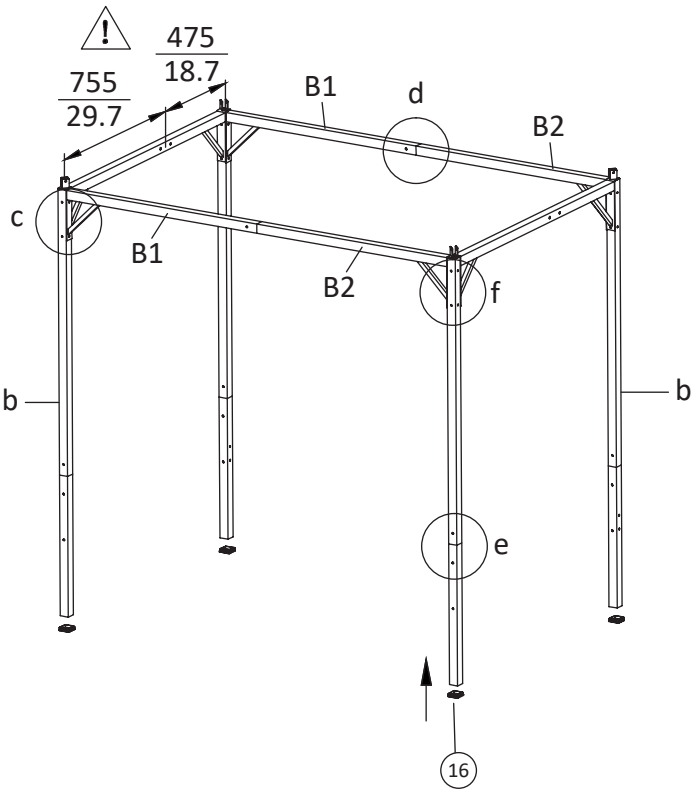
a

2



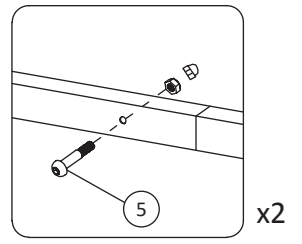
bx2

3



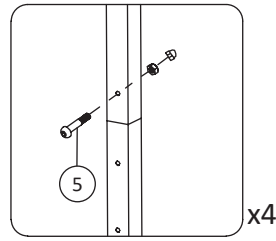
c

x4



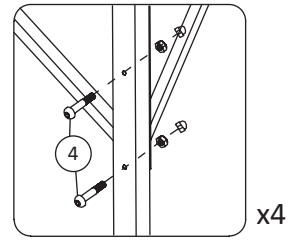
d

x2



e

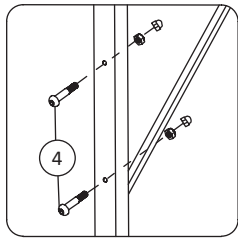
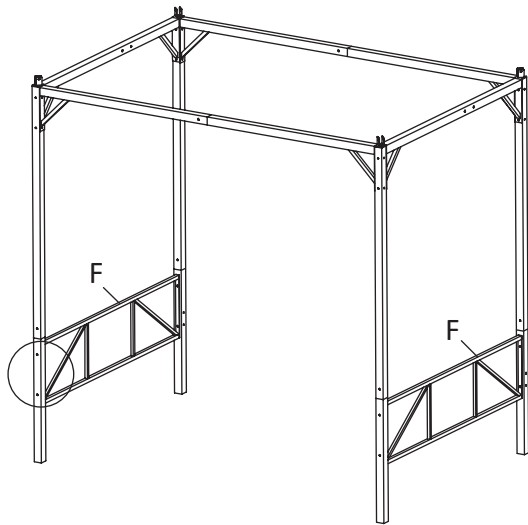
x4



f

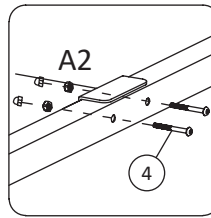
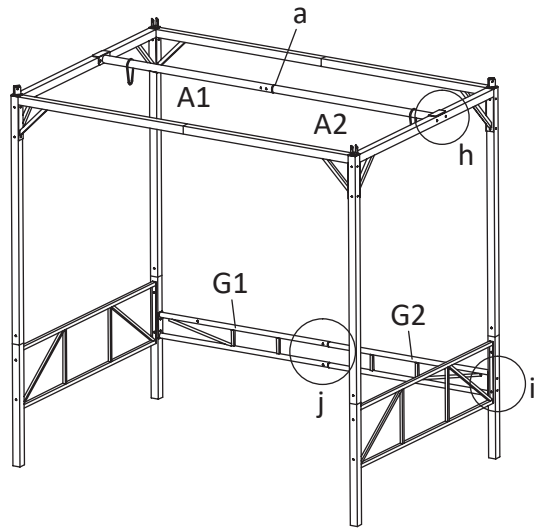
x4

4

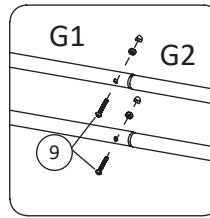


x4

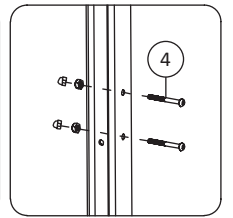
5



hx2

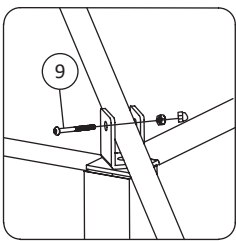
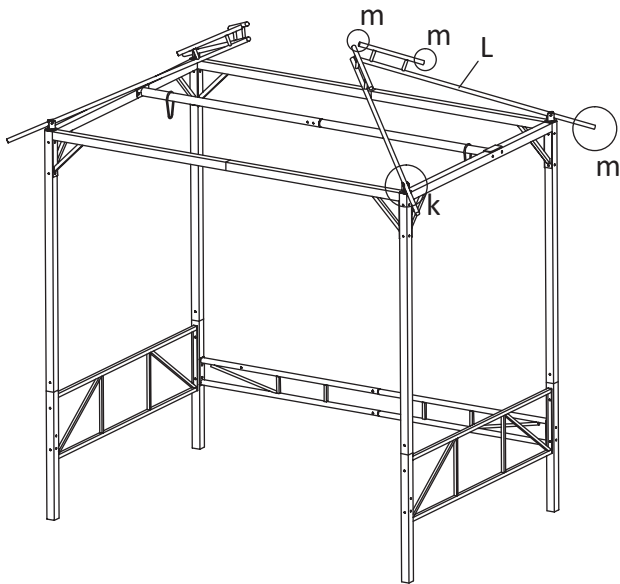


j



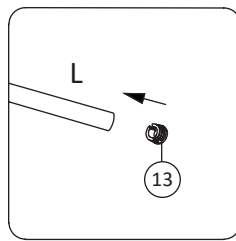
ix2

6



x4

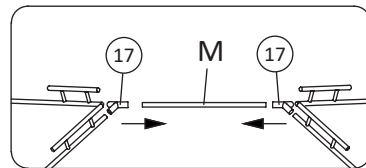
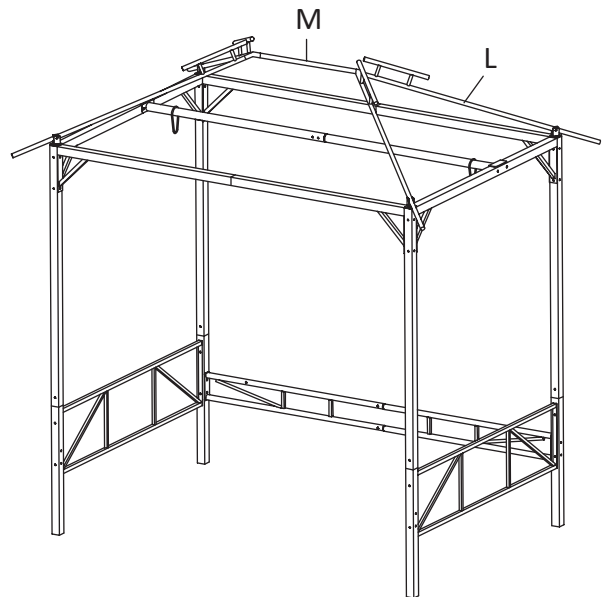
k



x12

m

7

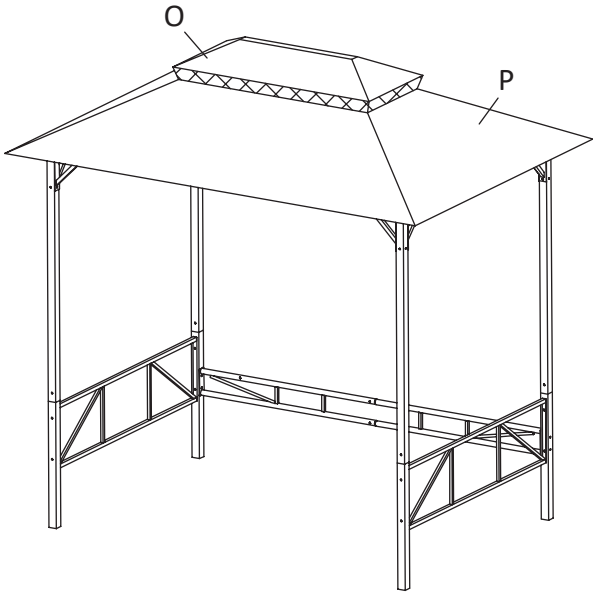


17

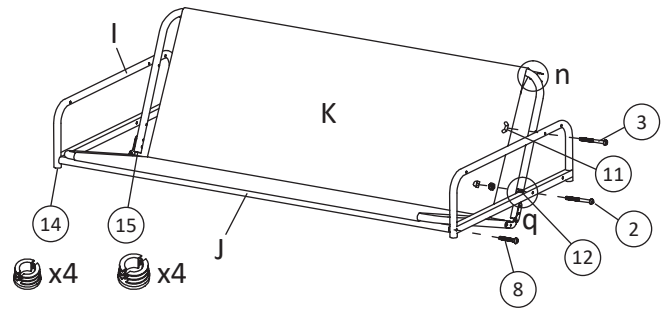
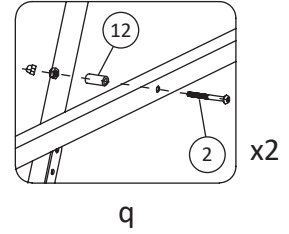
17

M

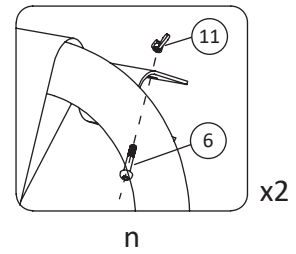
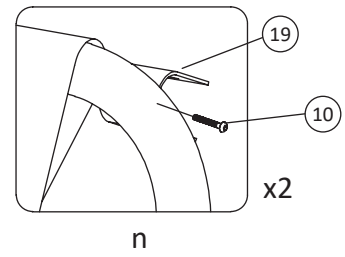
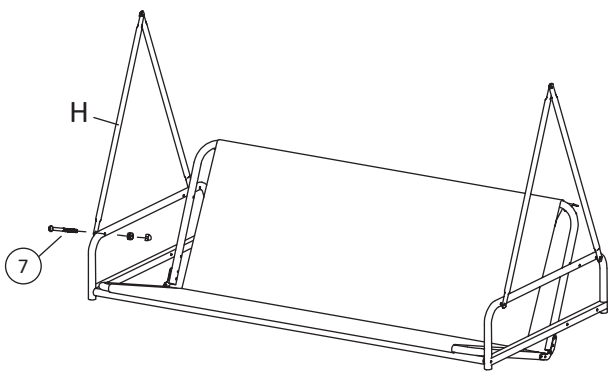
8



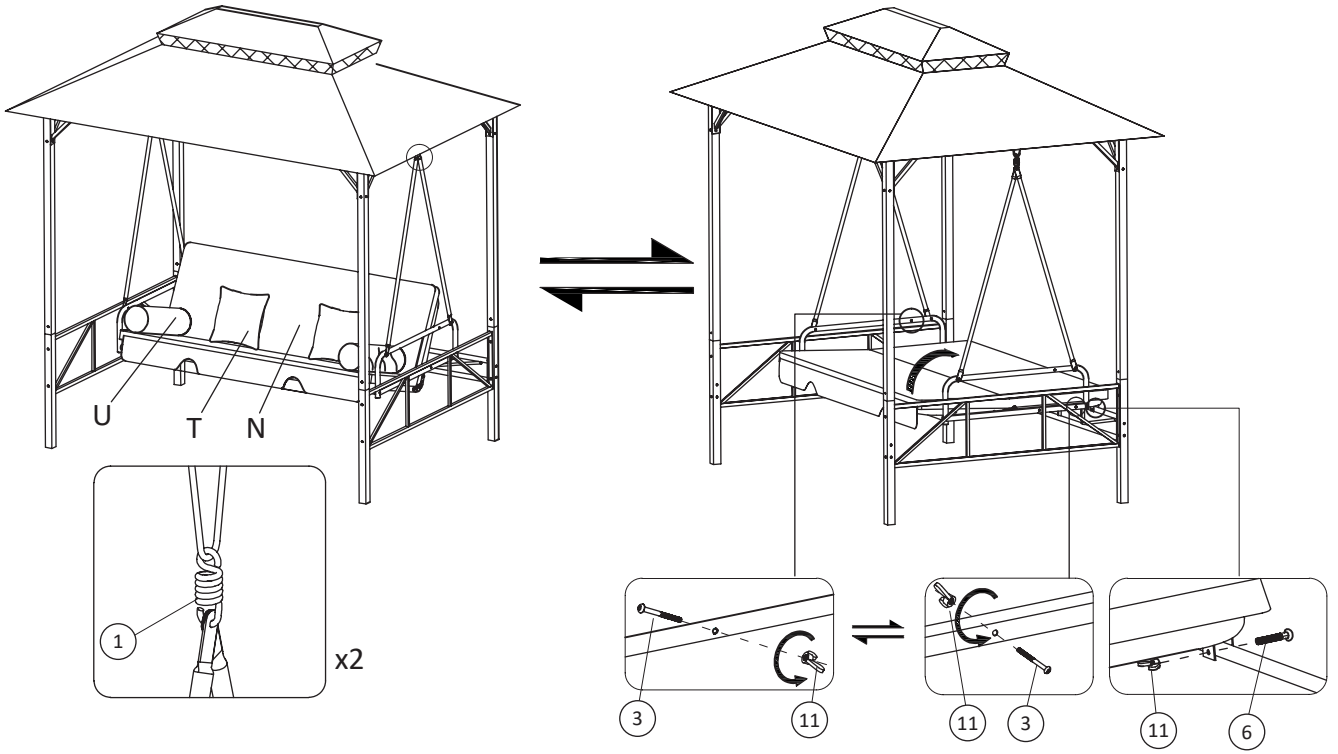
9



10



11



12

