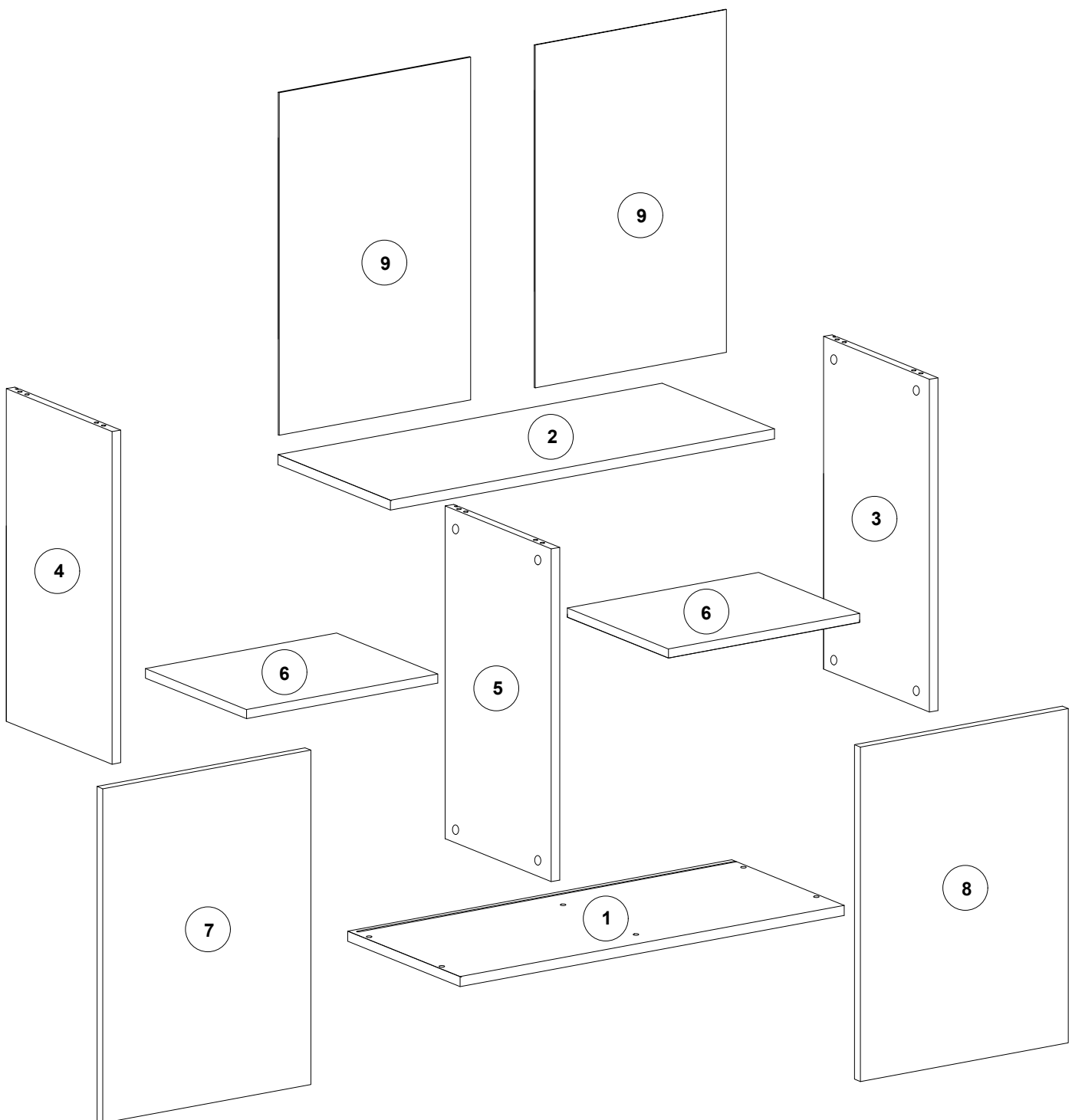
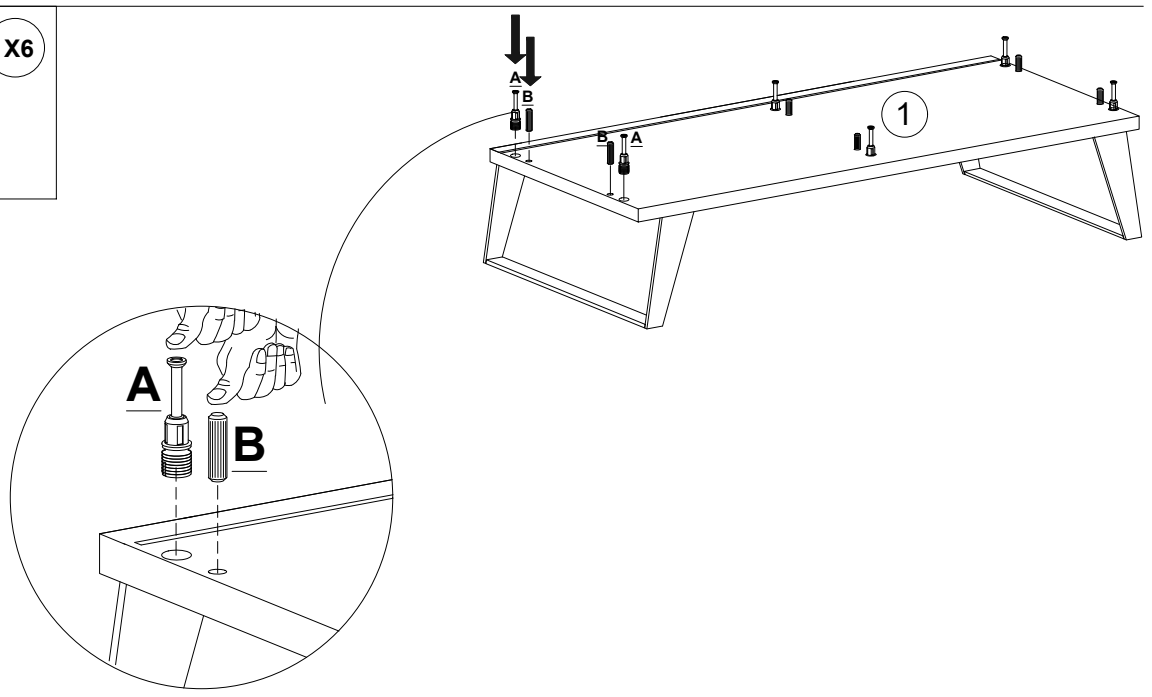
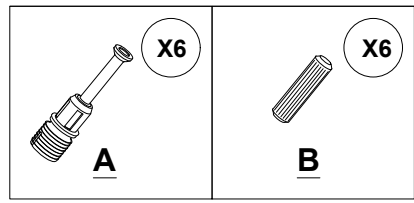
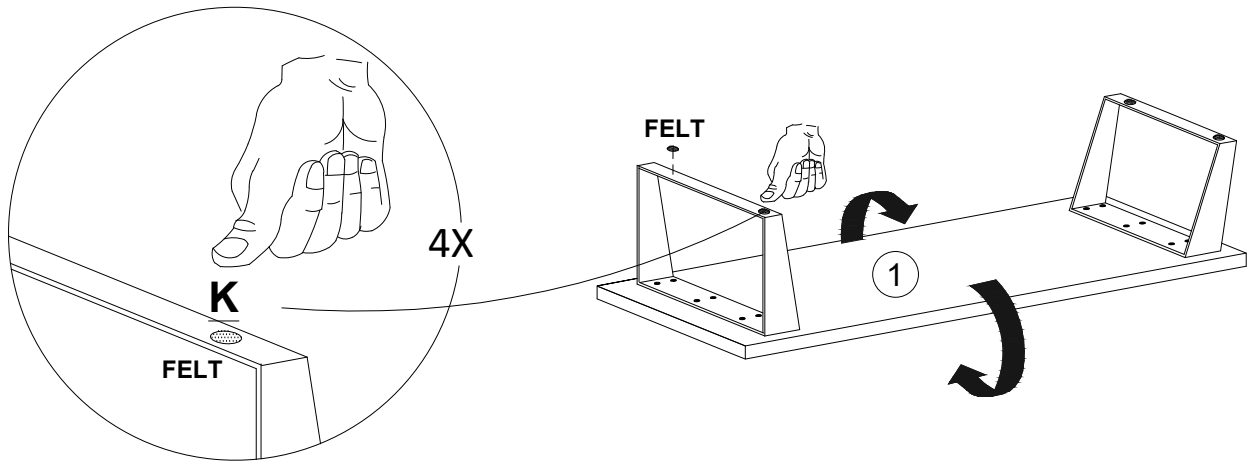
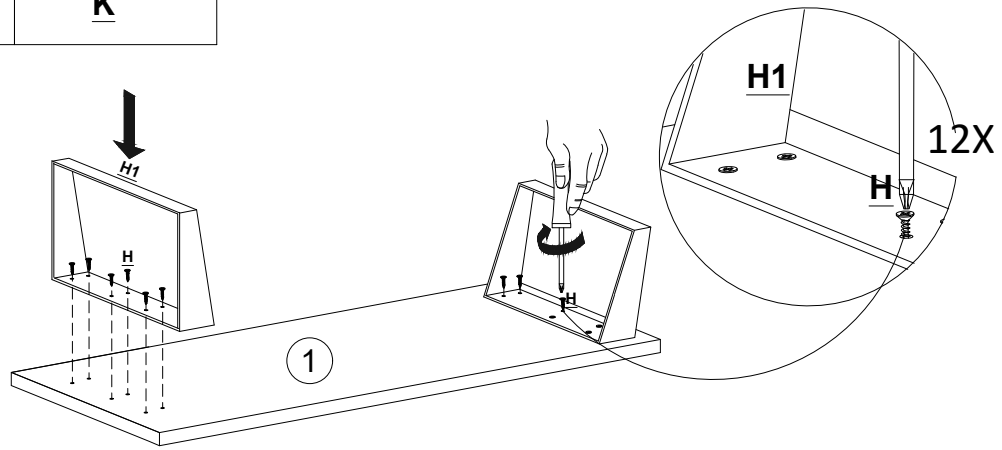
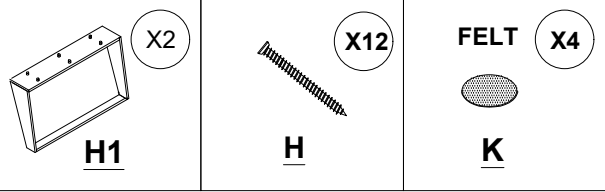
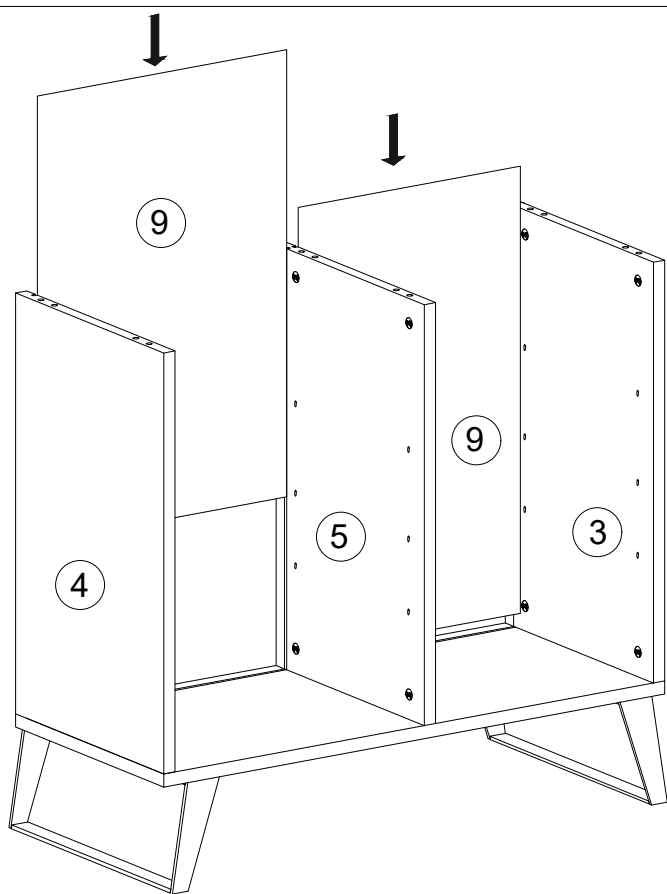
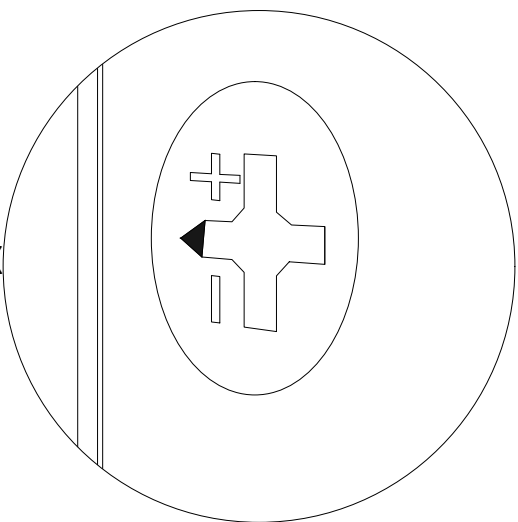
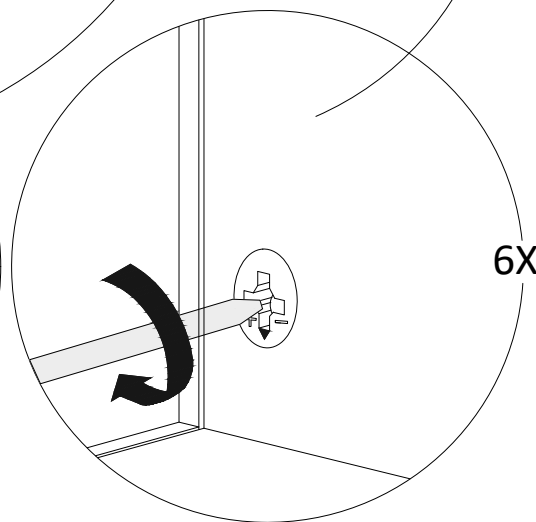
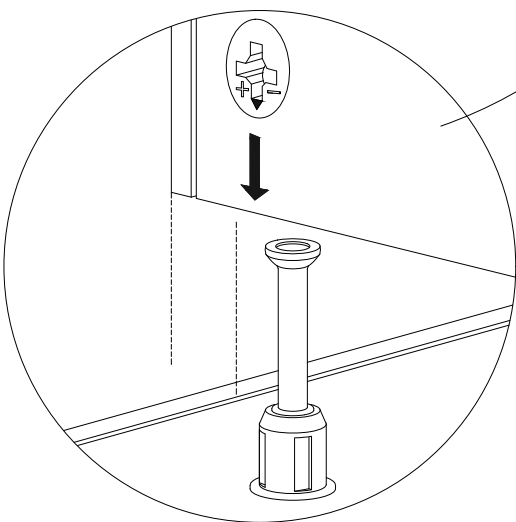
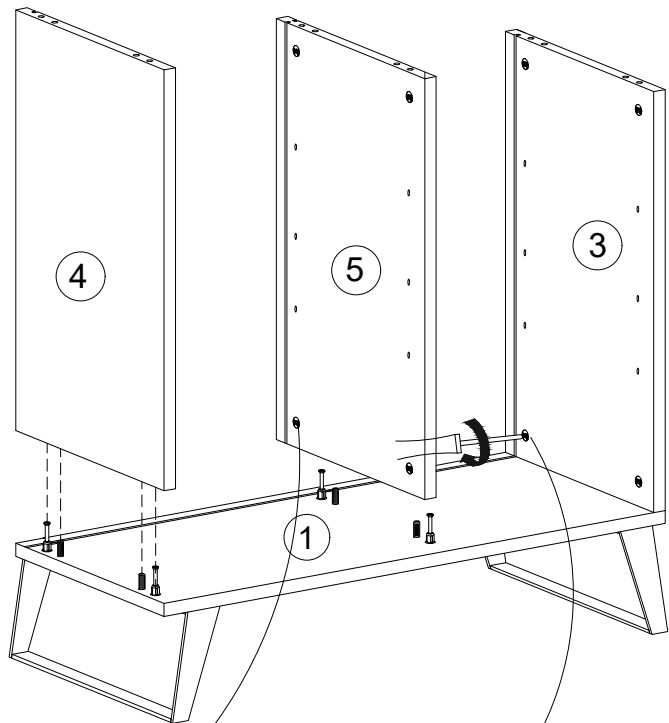
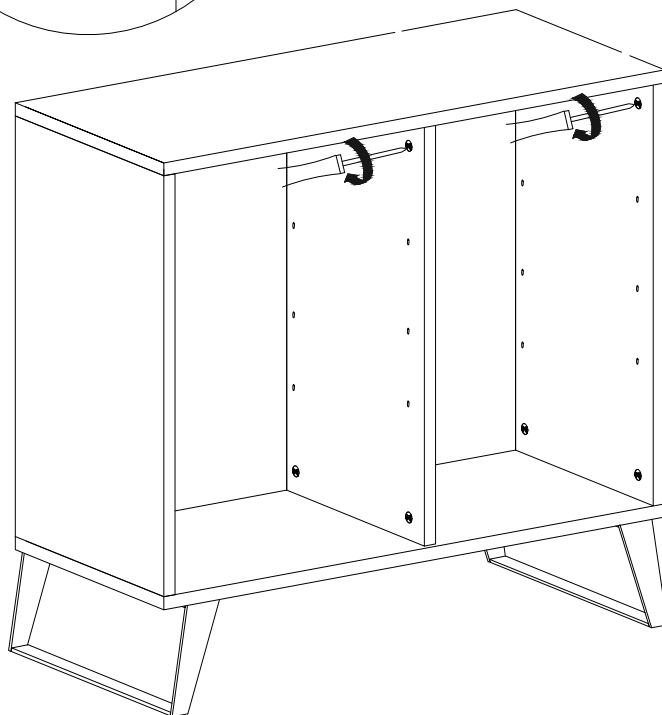
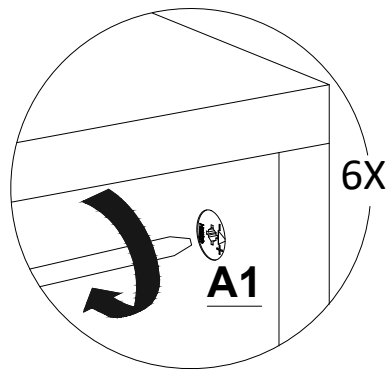
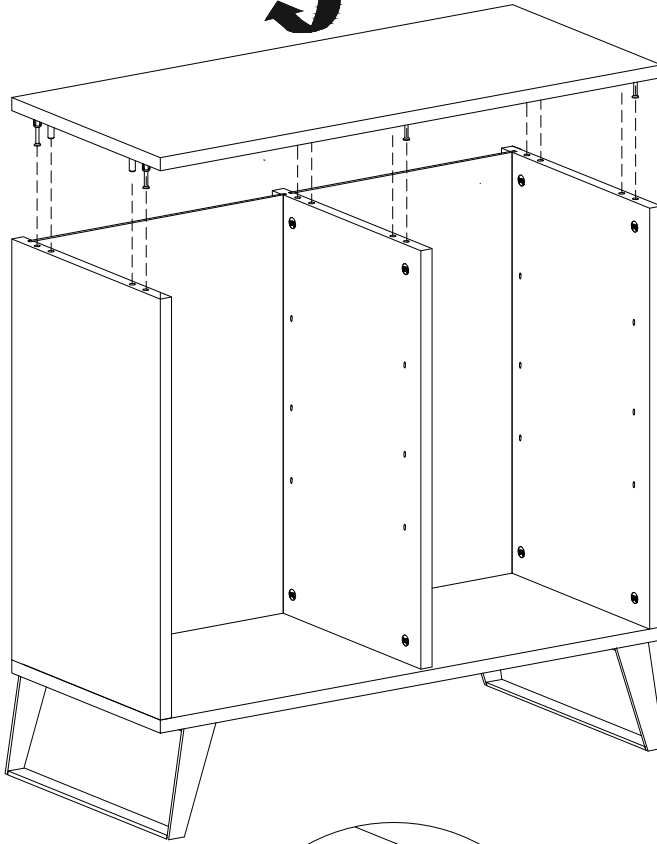
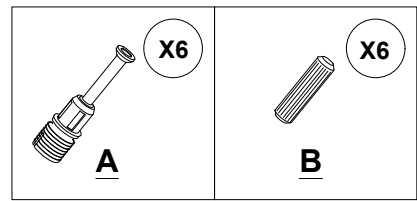
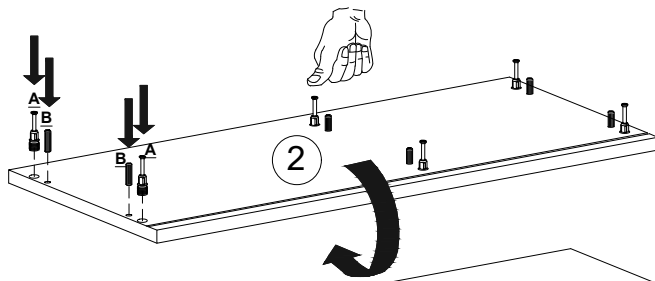


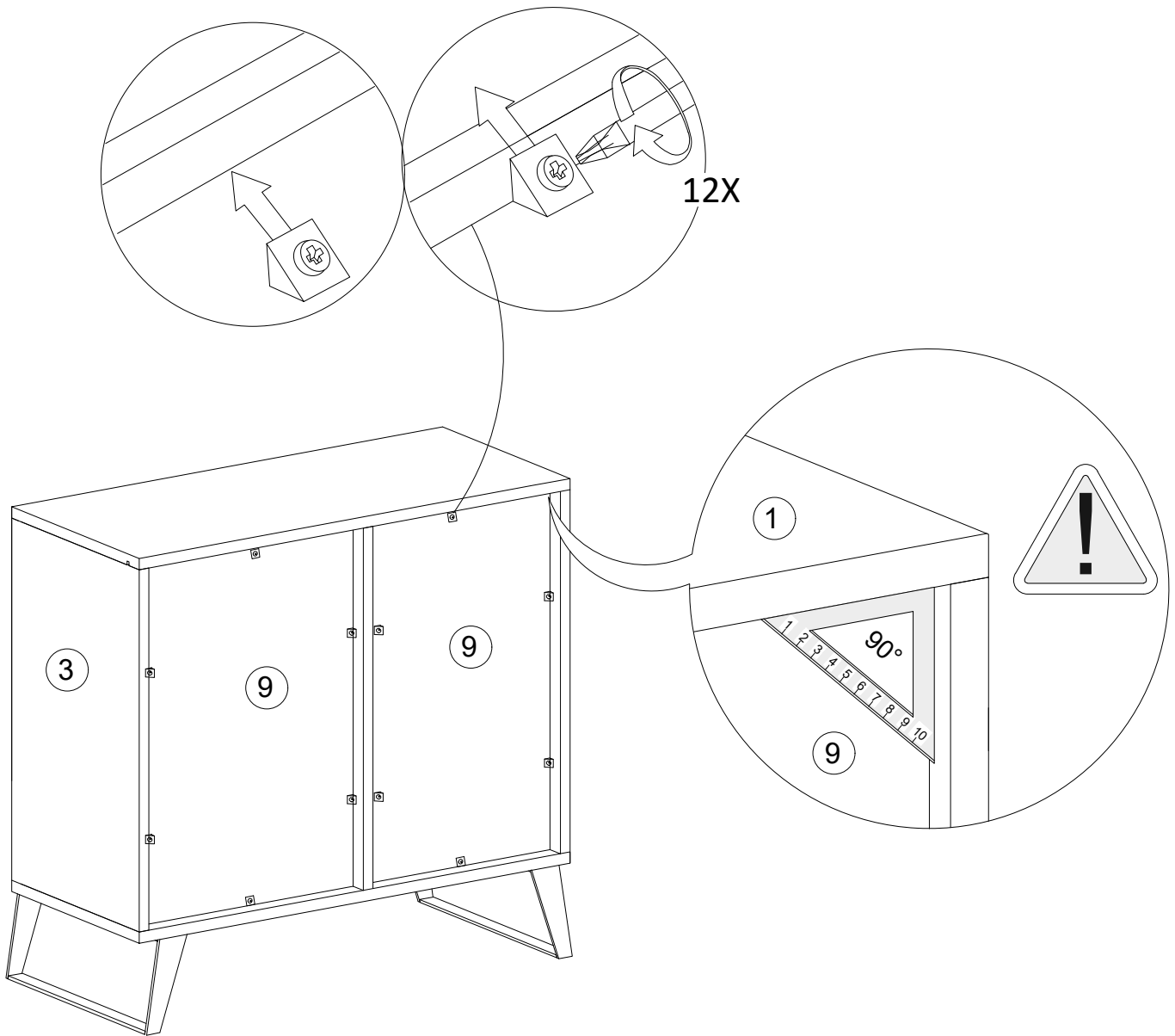
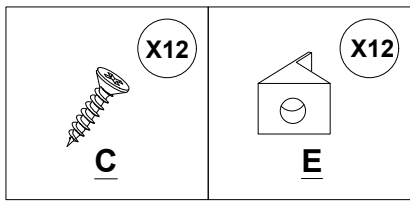
No	a*b(mm)	a*b(inches)	Pcs
1	800x395	31 1/2x15 1/2	1
2	800x395	31 1/2x15 1/2	1
3	564x394	22 1/4x15 1/2	1
4	564x394	22 1/4x15 1/2	1
5	564x349	22 1/4x13 3/4	1
6	371x339	14 5/8x13 3/8	2
7	557x378	21 7/8x14 7/8	1
8	557x378	21 7/8x14 7/8	1
9	574x386	22 5/8x15 1/4	2

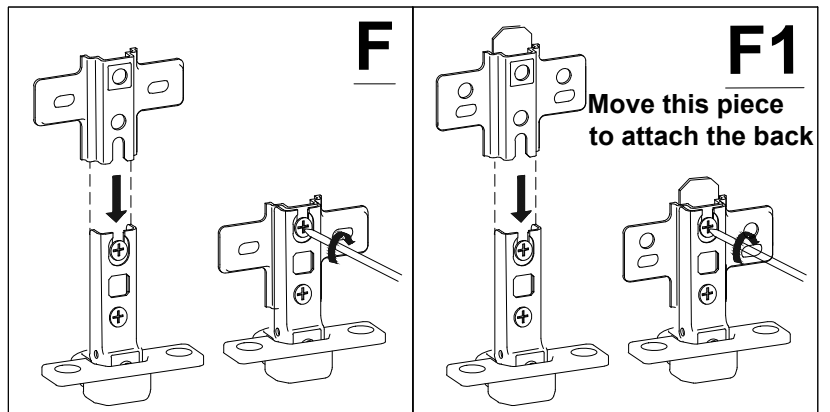
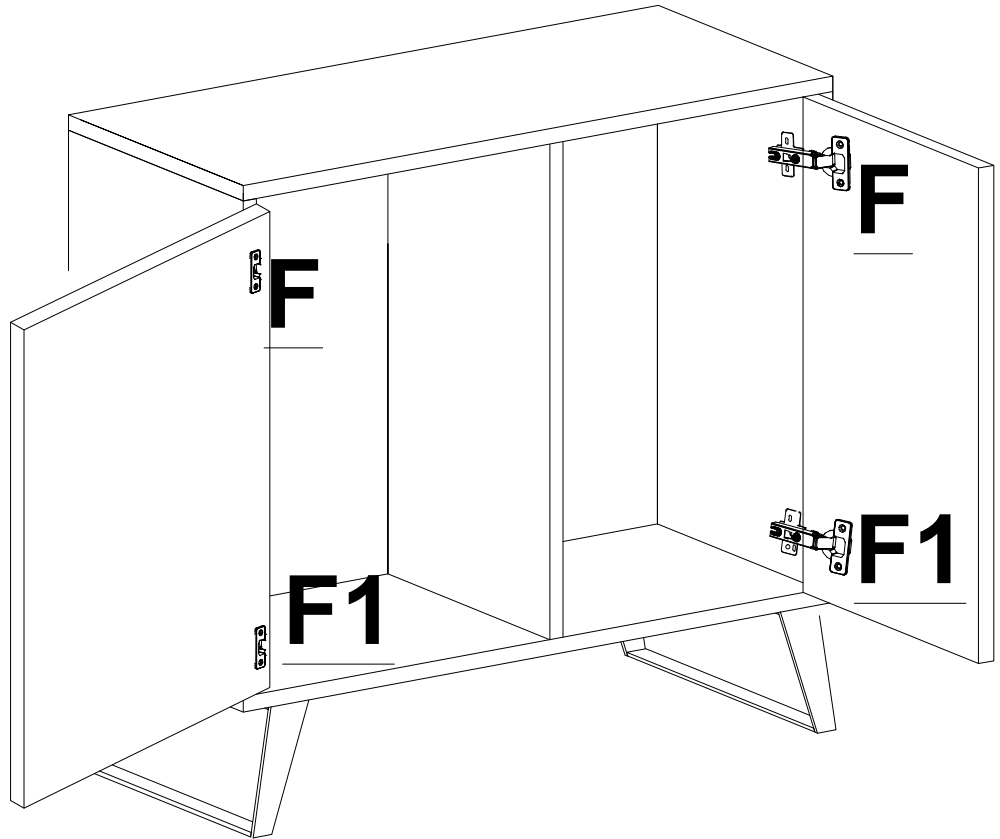
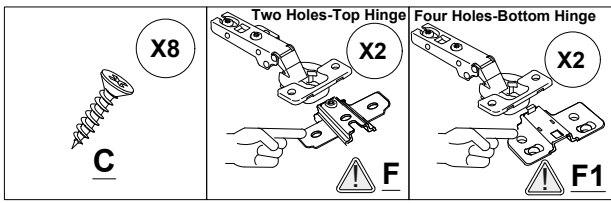












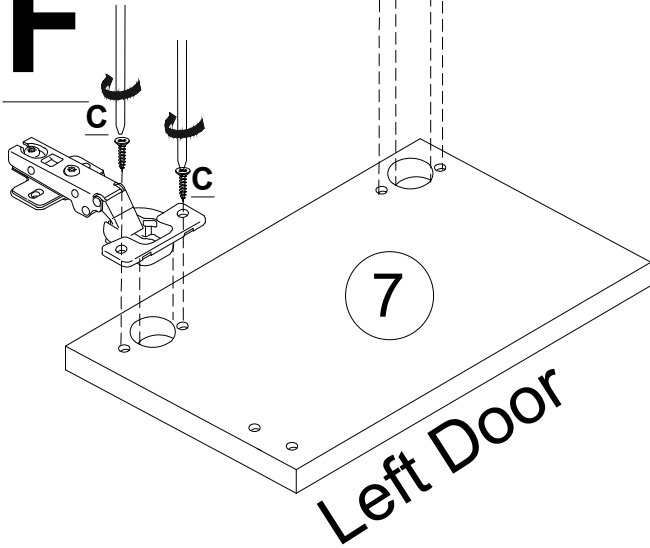
Soft Close

Four Holes-Bottom Hinge

F1

Two Holes-Top Hinge

F



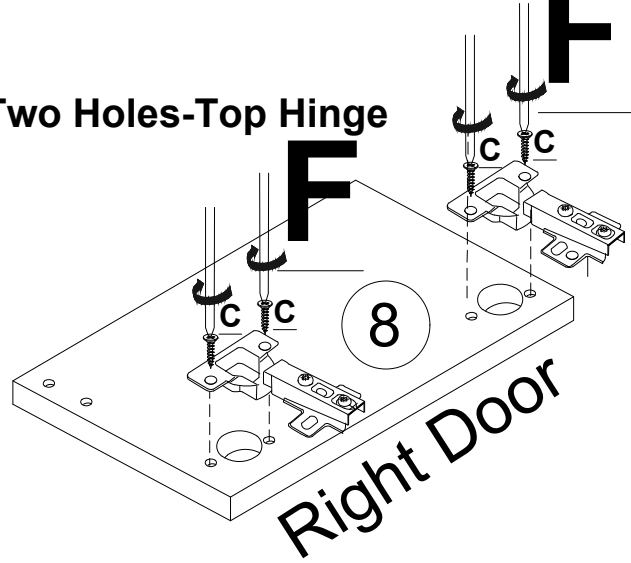
Soft Close

Four Holes-Bottom Hinge

F1

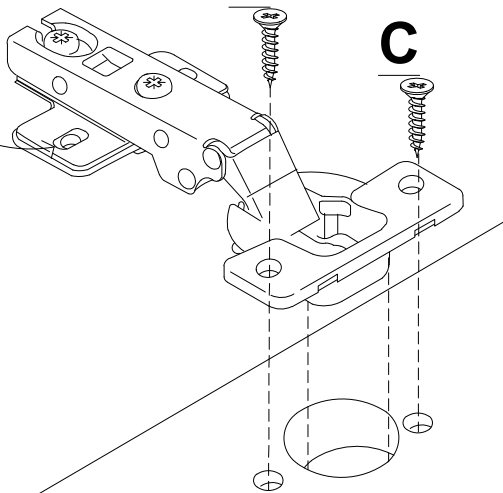
Two Holes-Top Hinge

F



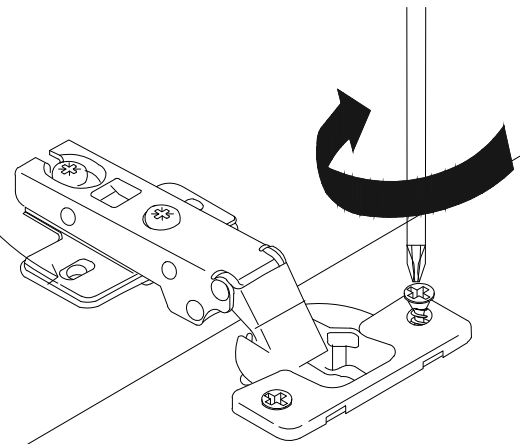
Two Holes-Top Hinge

F



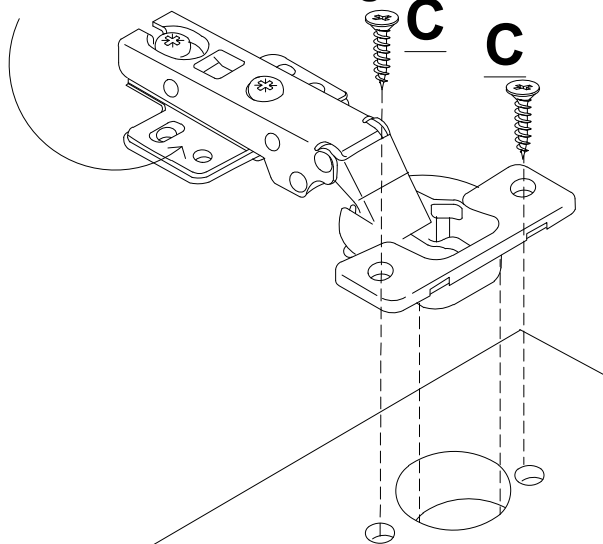
Two Holes-Top Hinge

F



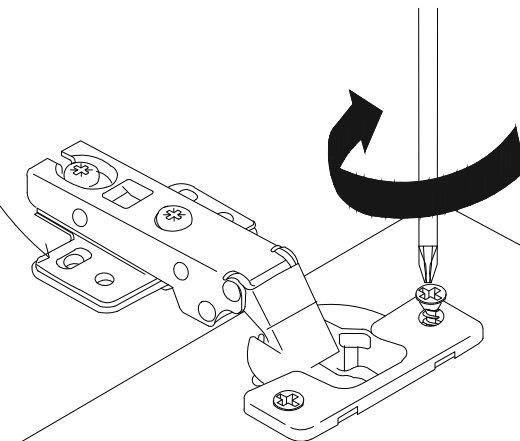
Soft Close
Four Holes-Bottom Hinge

F1

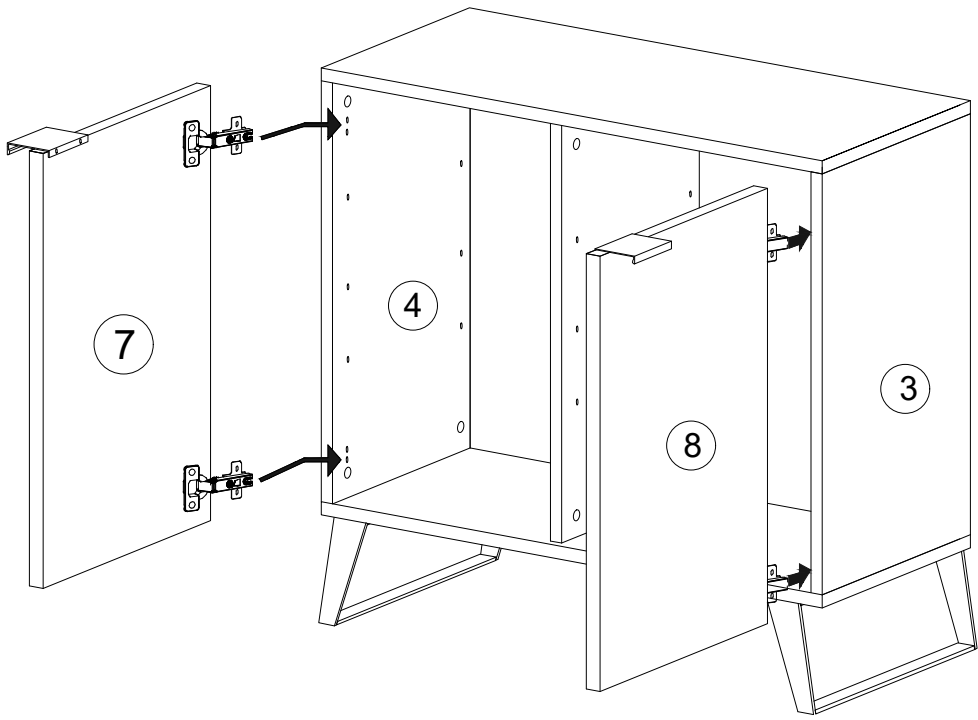
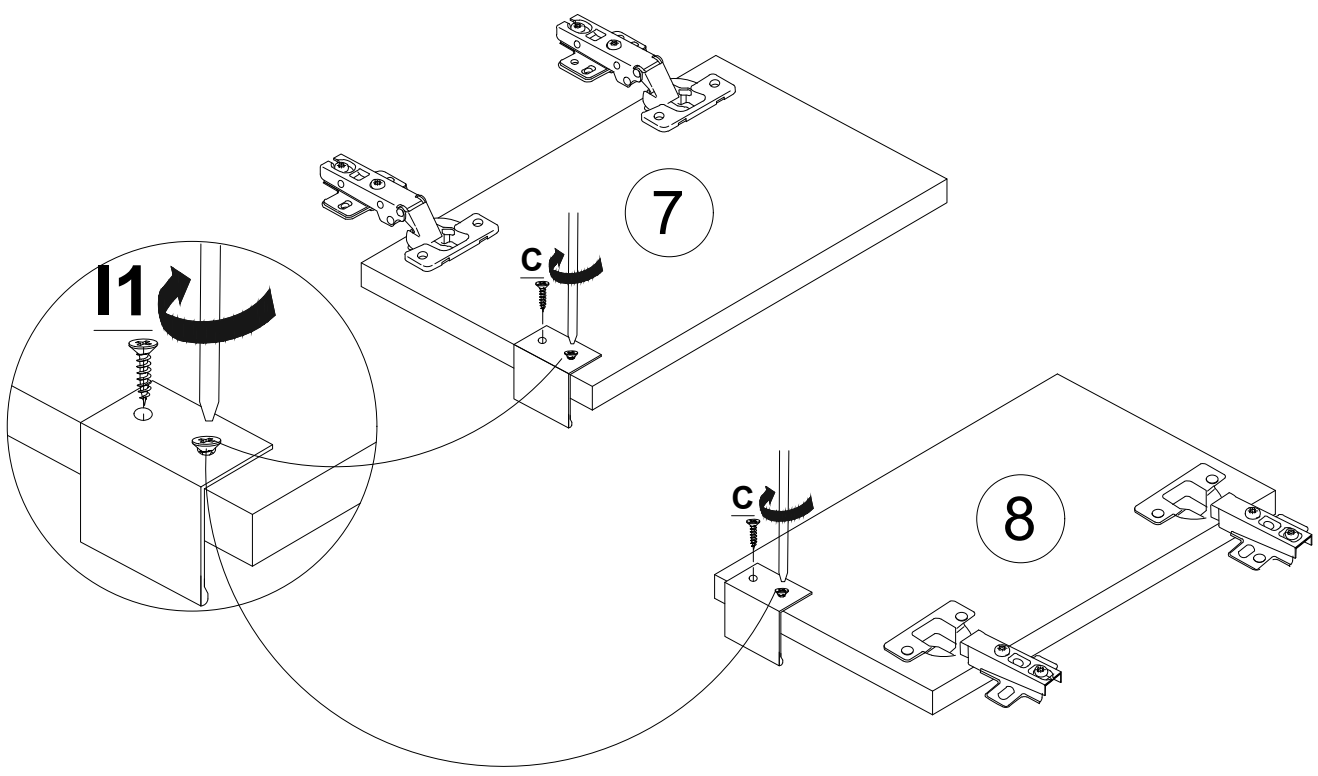
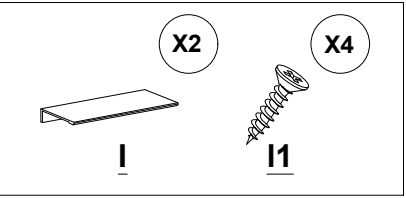


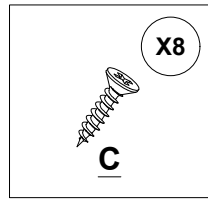
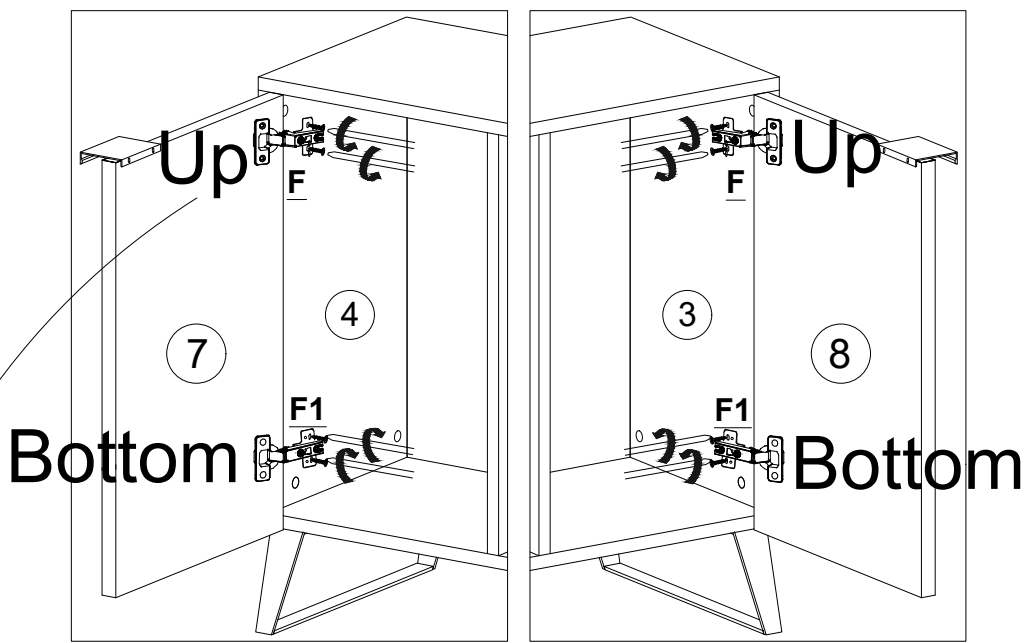
Soft Close
Four Holes-Bottom Hinge

F1

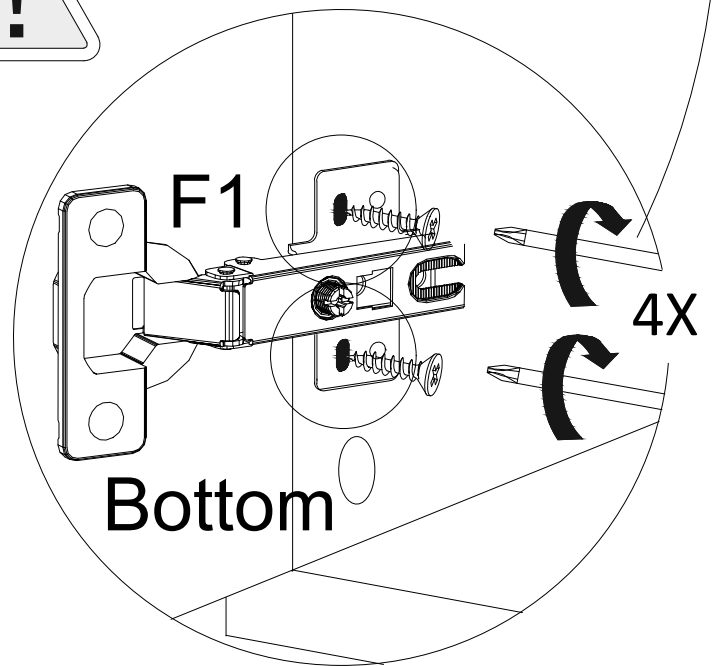
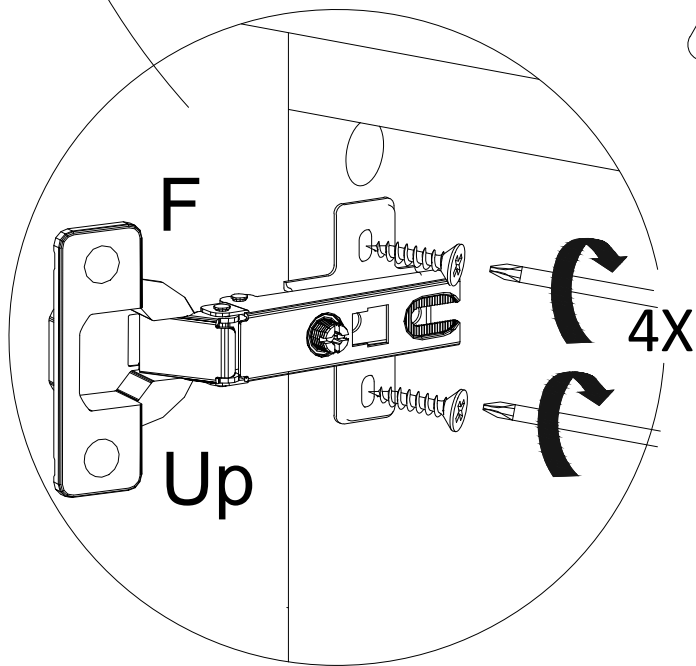


***Adapt this process to all doors**



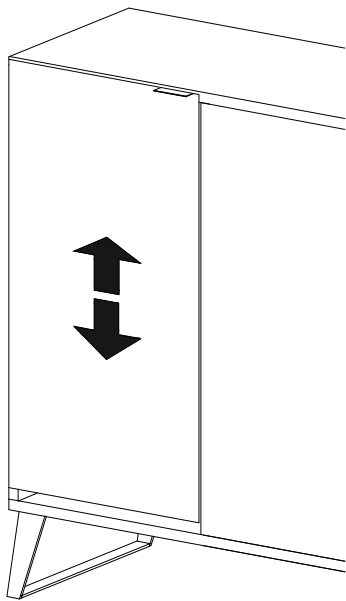
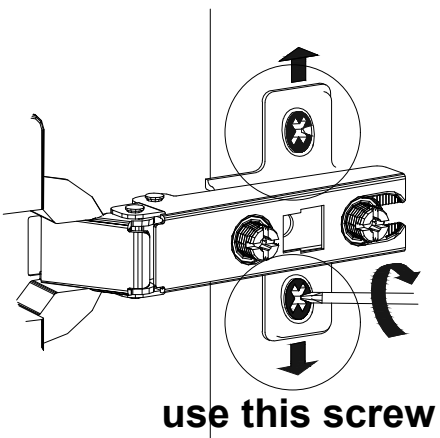


Use the marked Holes for 'F1'

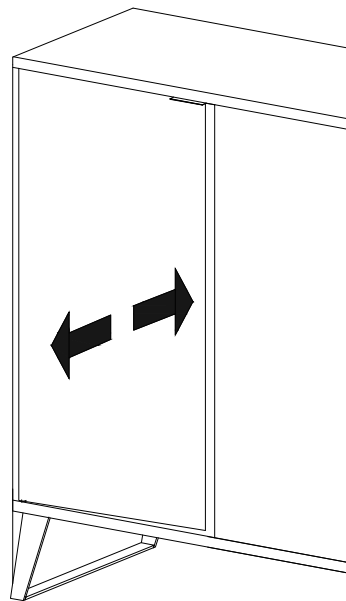
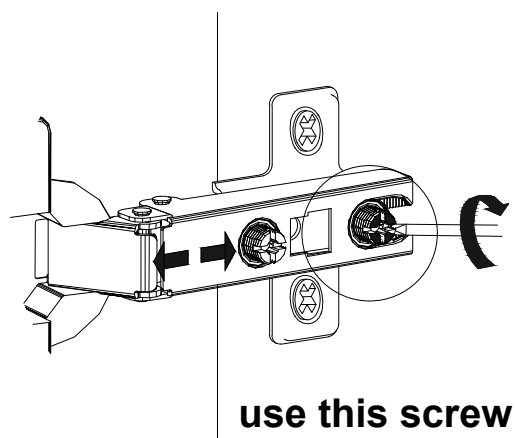




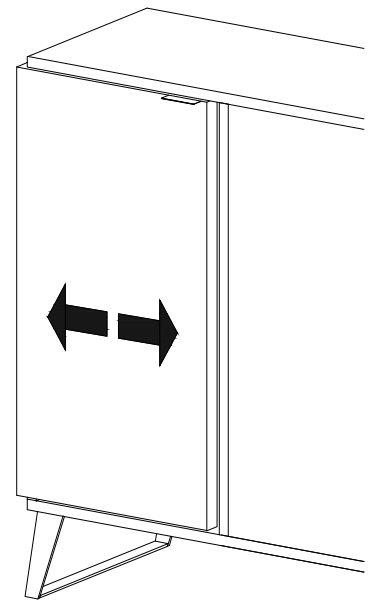
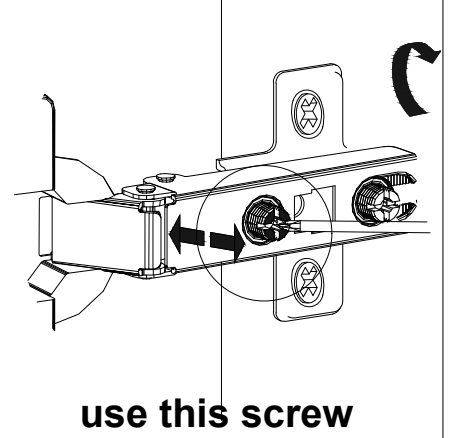
Up-Down



Back and Forth



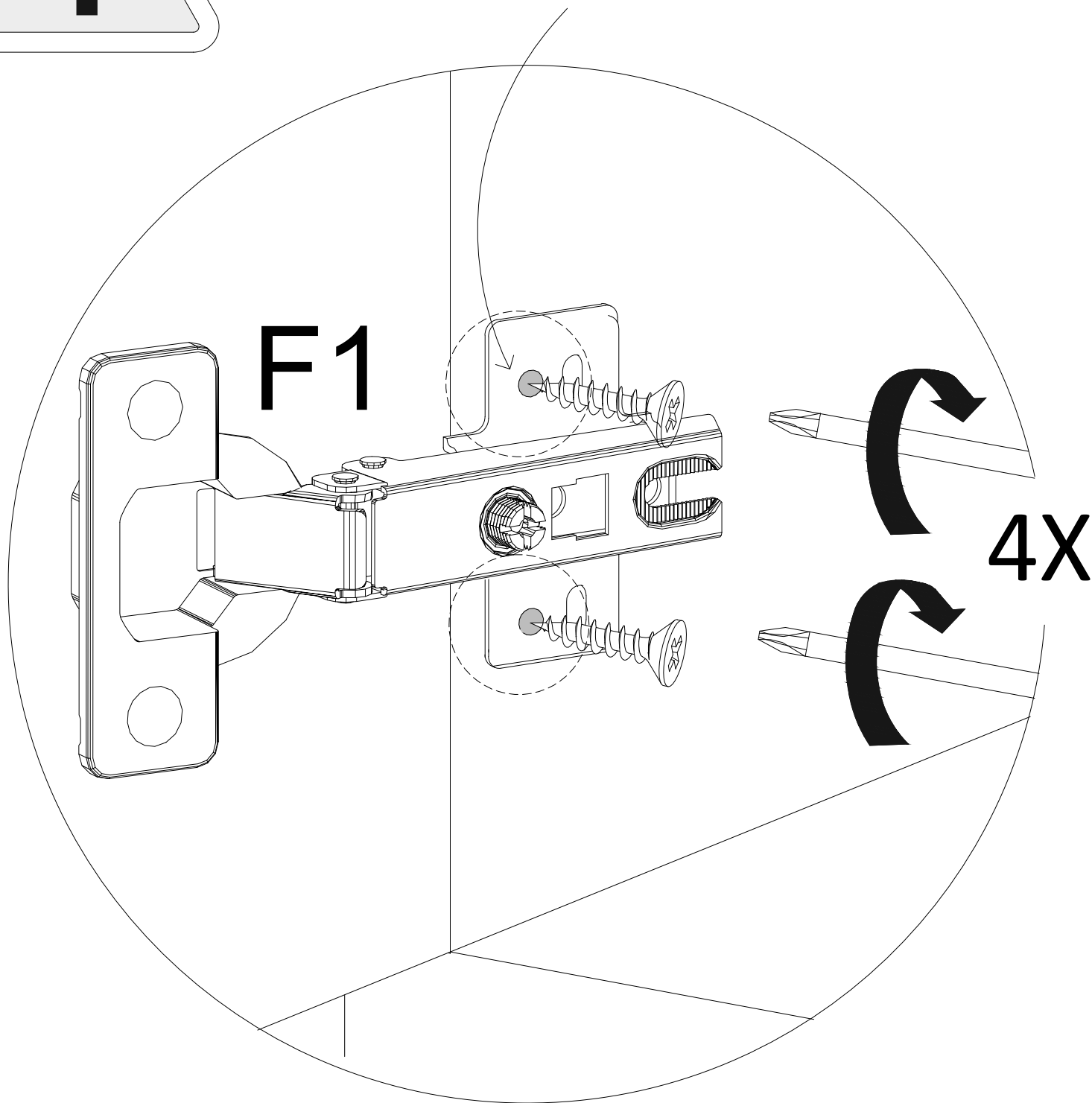
Left-Right

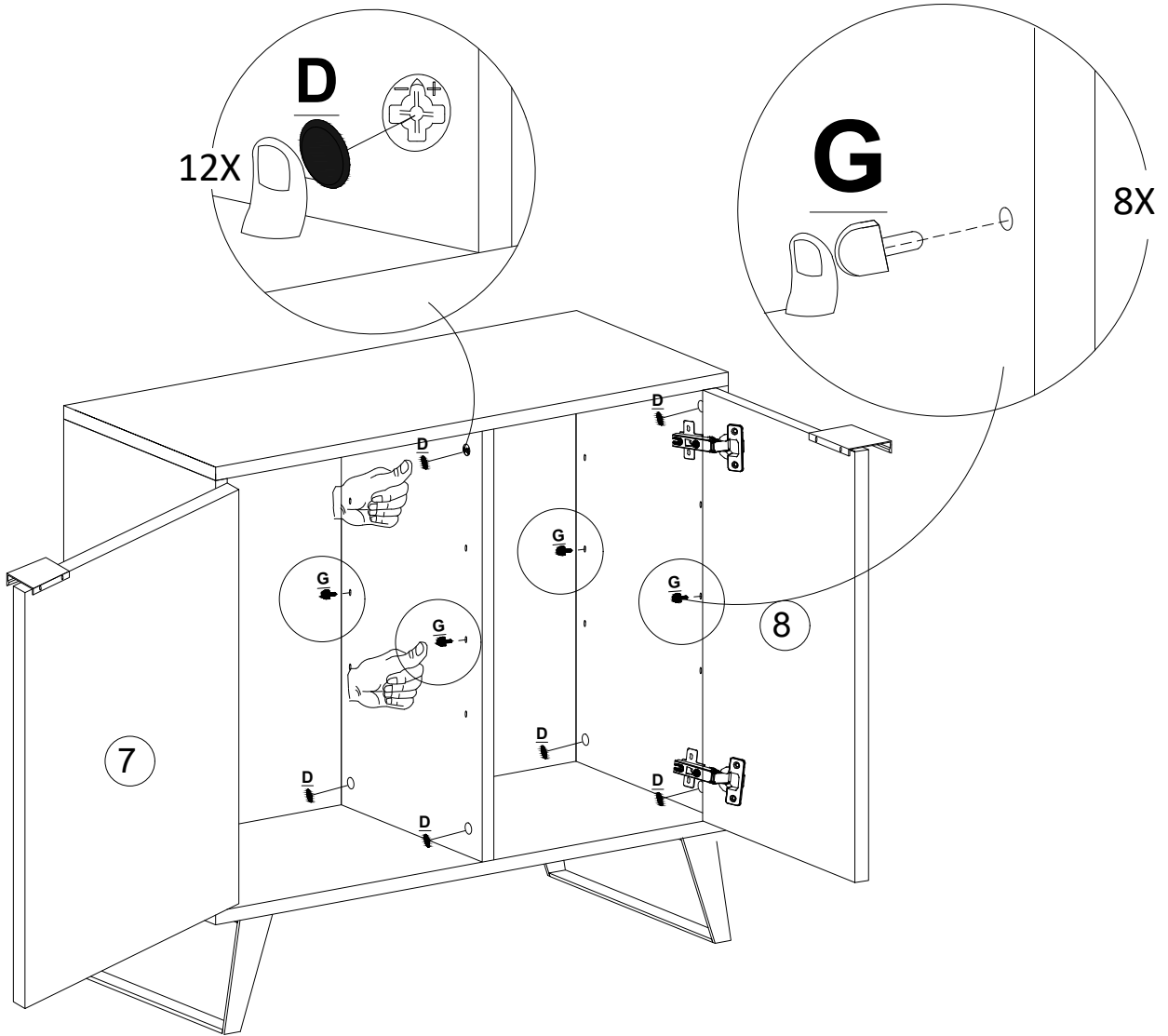
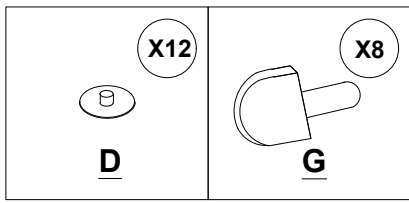


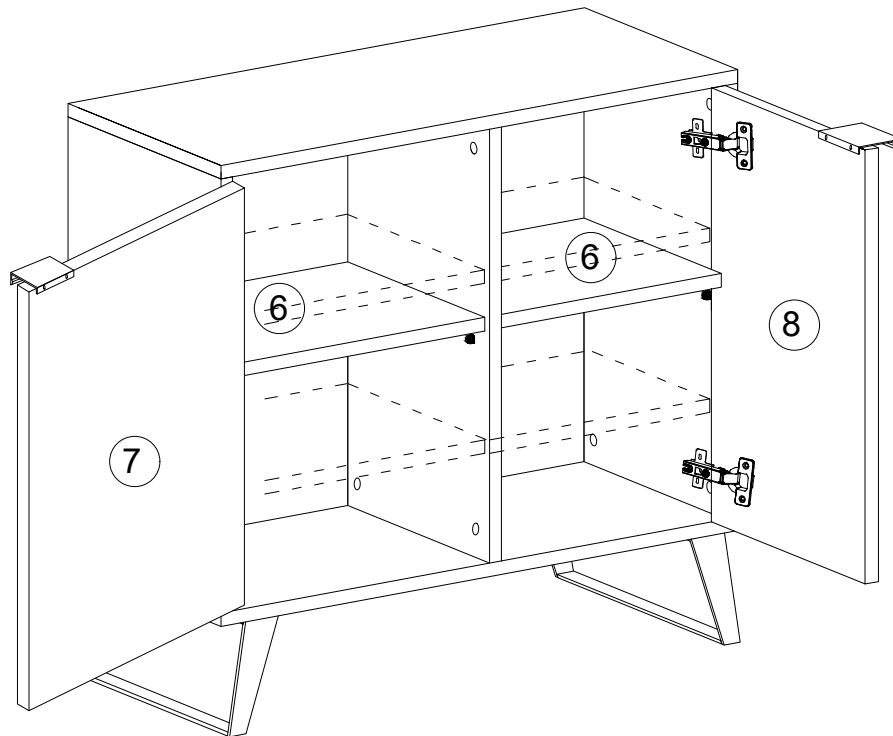
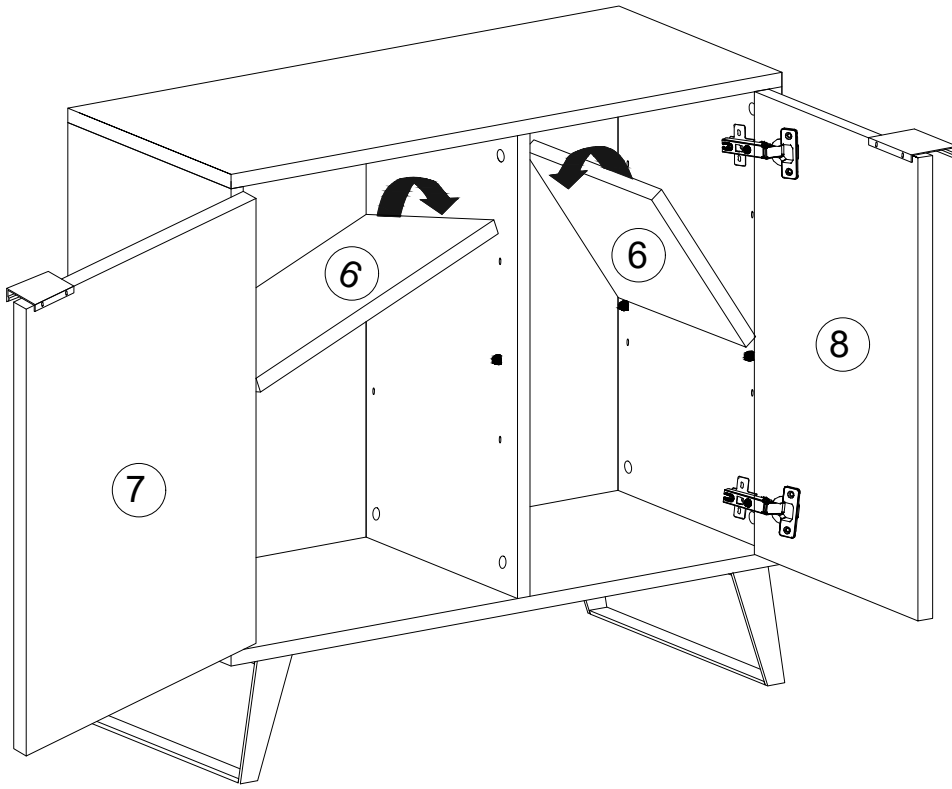
X4



***After adjusting the doors,
use fixing screws to fix the
soft close hinges.**







Notes

A series of horizontal dotted lines for writing notes.