

artos[®]

TS181

INSTRUCTION MANUAL

trova shower set with
tub filler classic

BRUSHED NICKEL (BN)



CHROME (CH)



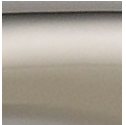
BLACK (BK)



SATIN BRASS (SB)



POLISHED NICKEL (PN)



artos[®]

TS181

OPERATING SPECIFICATIONS

trova shower set with
tub filler classic



INCLUDES

Shower Head & Arm
Valve Trim

OPERATING PRESSURE

Minimum: 15 psi
Maximum: 125 psi
Above 90psi it may be necessary to install a pressure reducer

OPERATING TEMPERATURE

Maximum: 176°

FLOW CAPACITY

Shower Head: 1.8 USGPM

STANDARDS

ASSE 1016-2011 | ASME_A112.1016-2011 | CSA B125:16-11



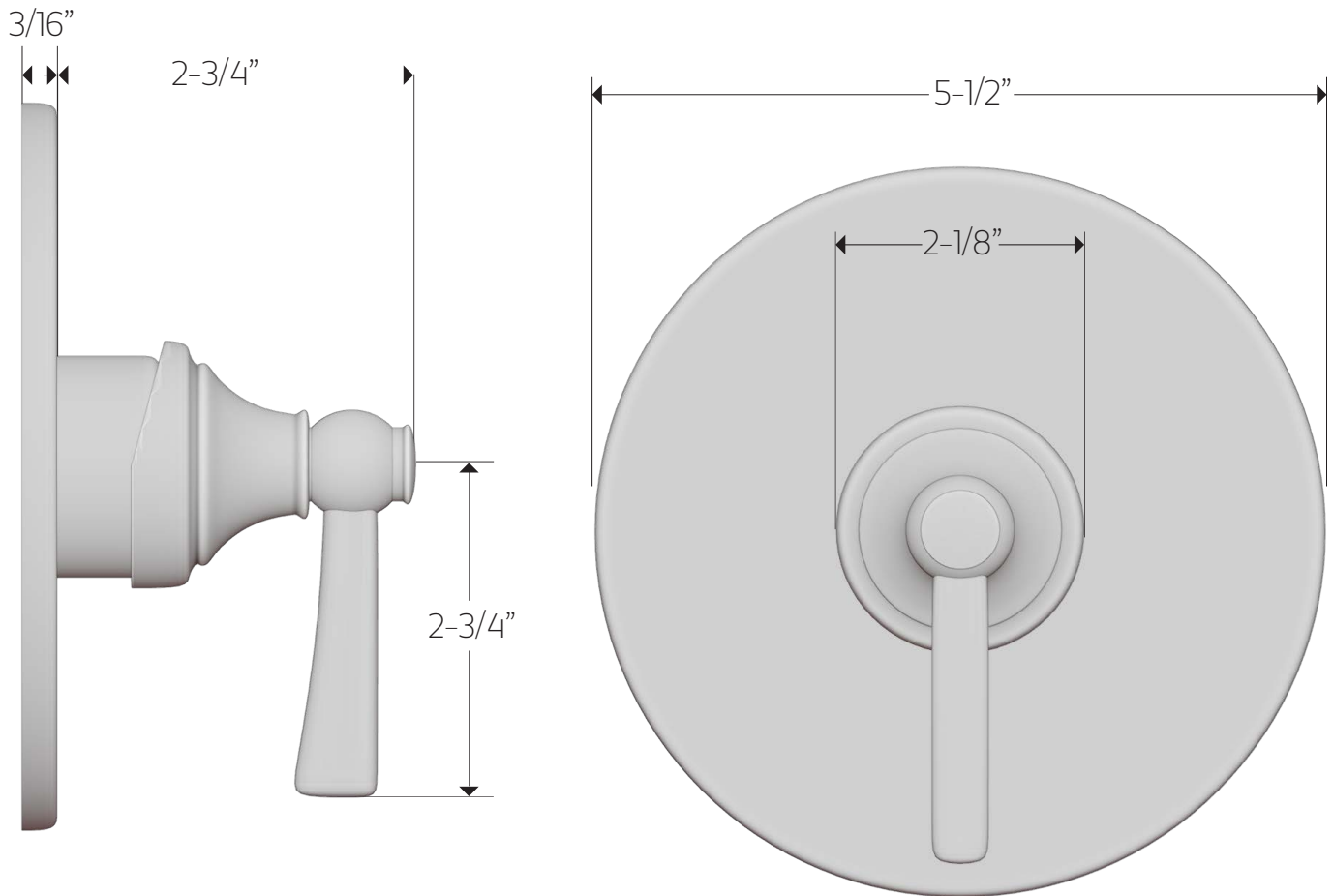
artos[®]

TS181

PRODUCT DIMENSIONS

trova shower set with
tub filler classic

for trim kit



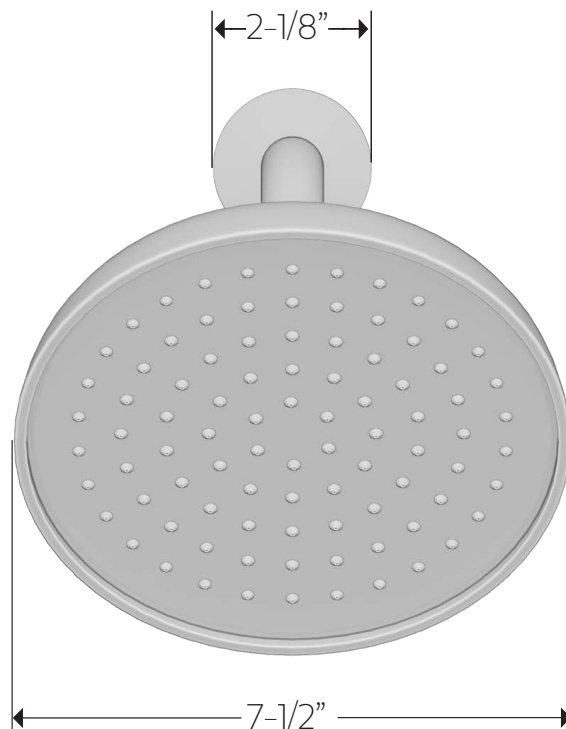
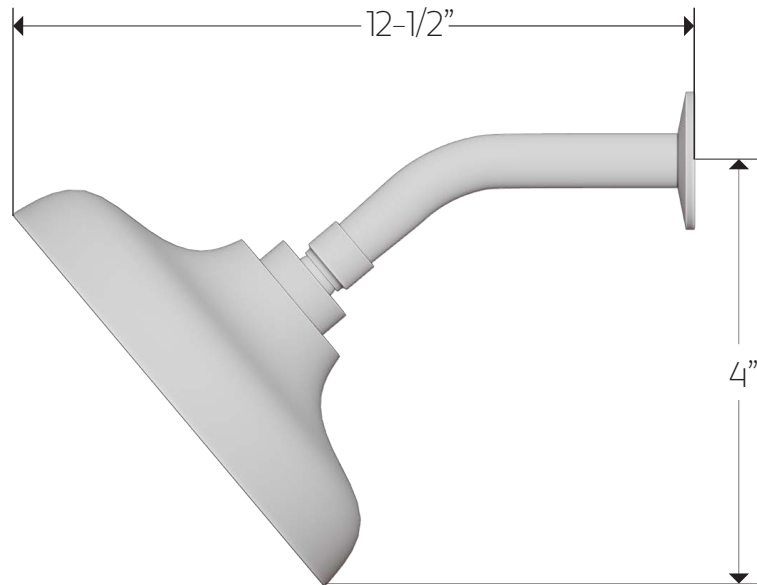
artos[®]

TS181

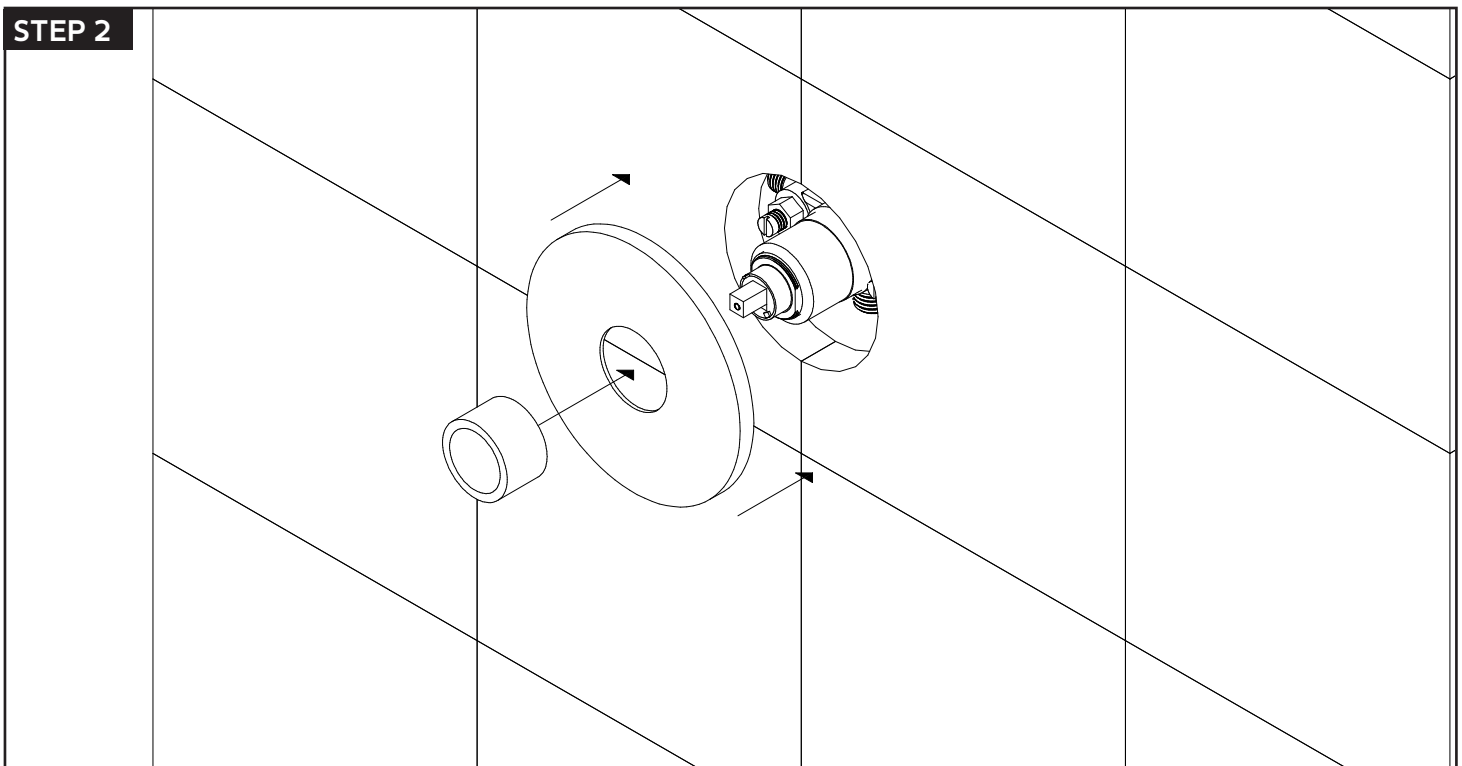
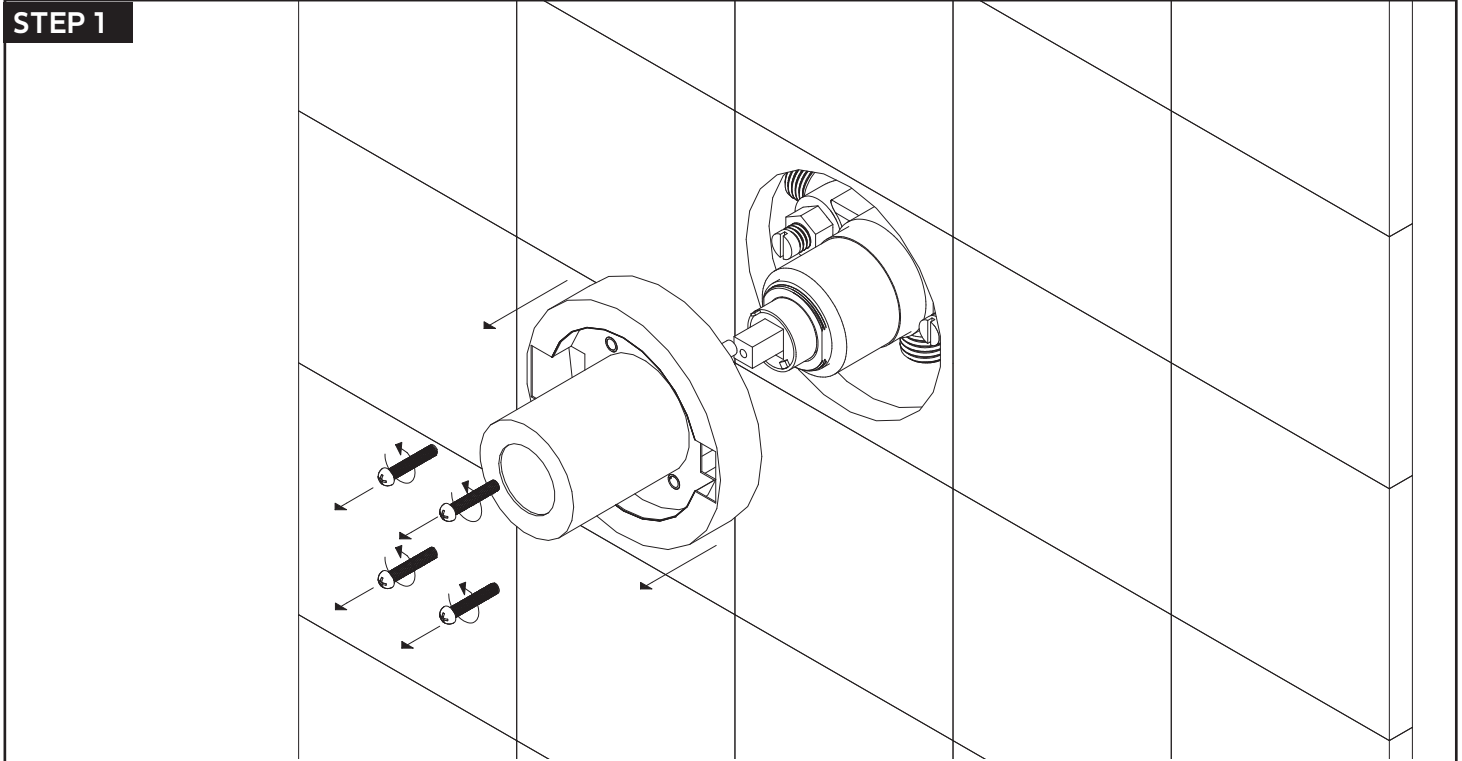
PRODUCT DIMENSIONS

trova shower set with
tub filler classic

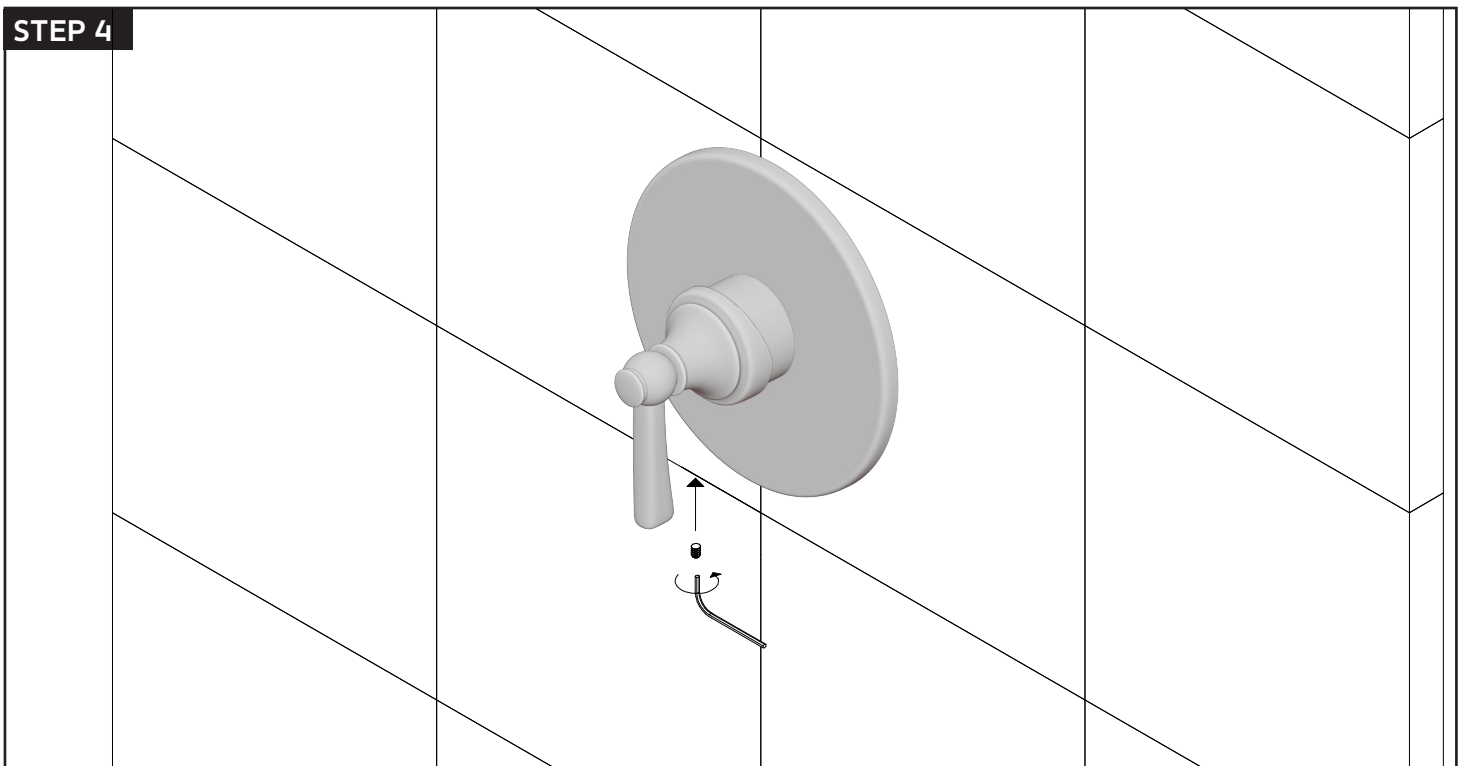
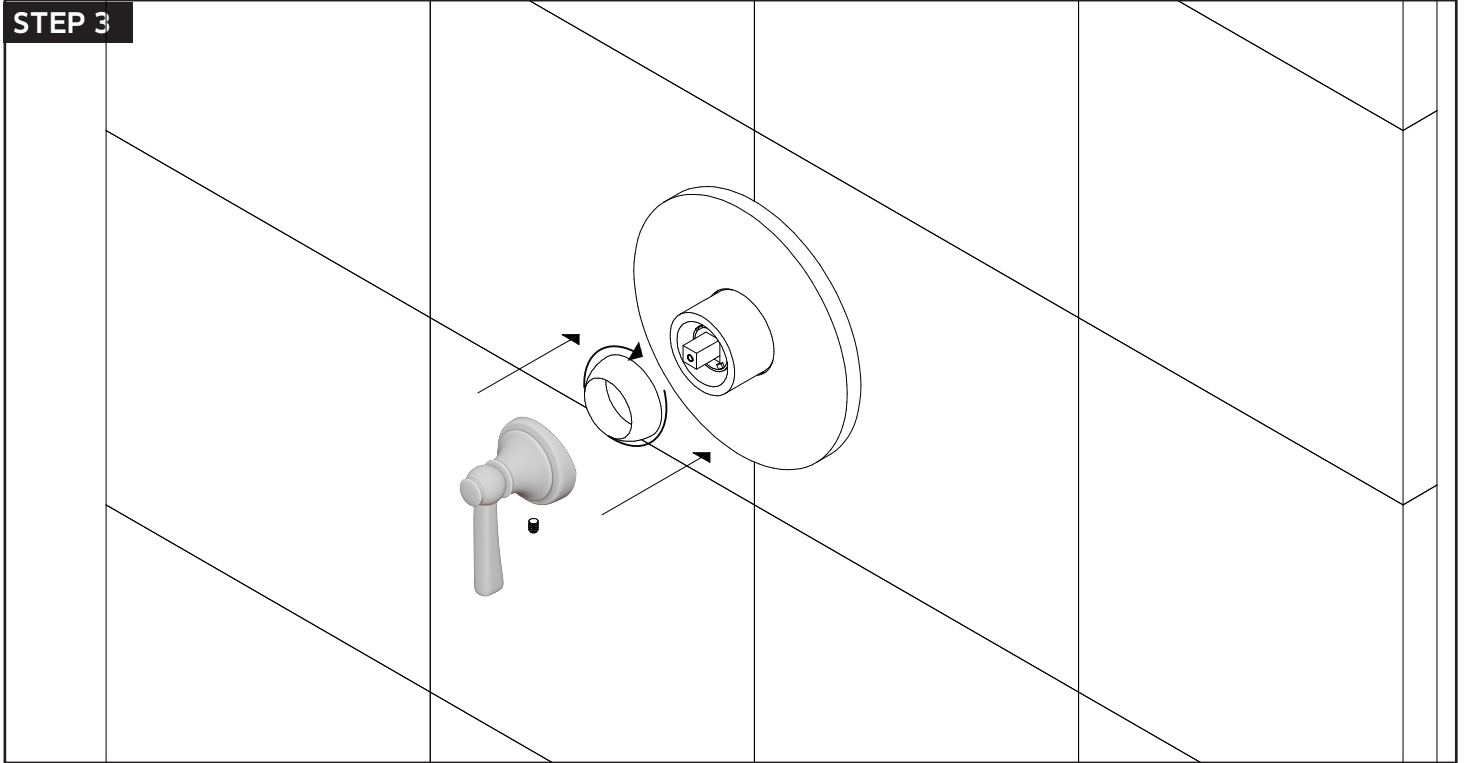
for shower head



valve trim

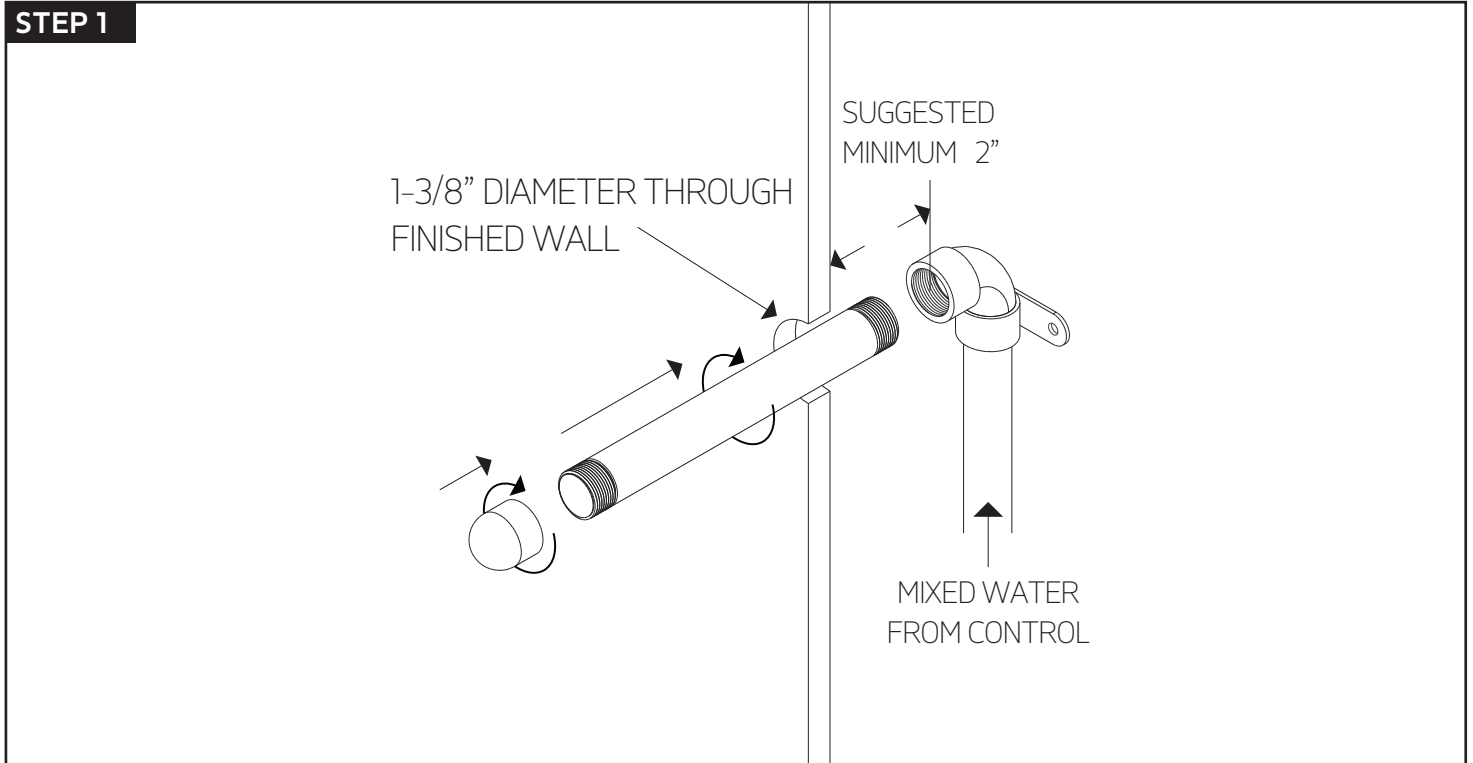


valve trim

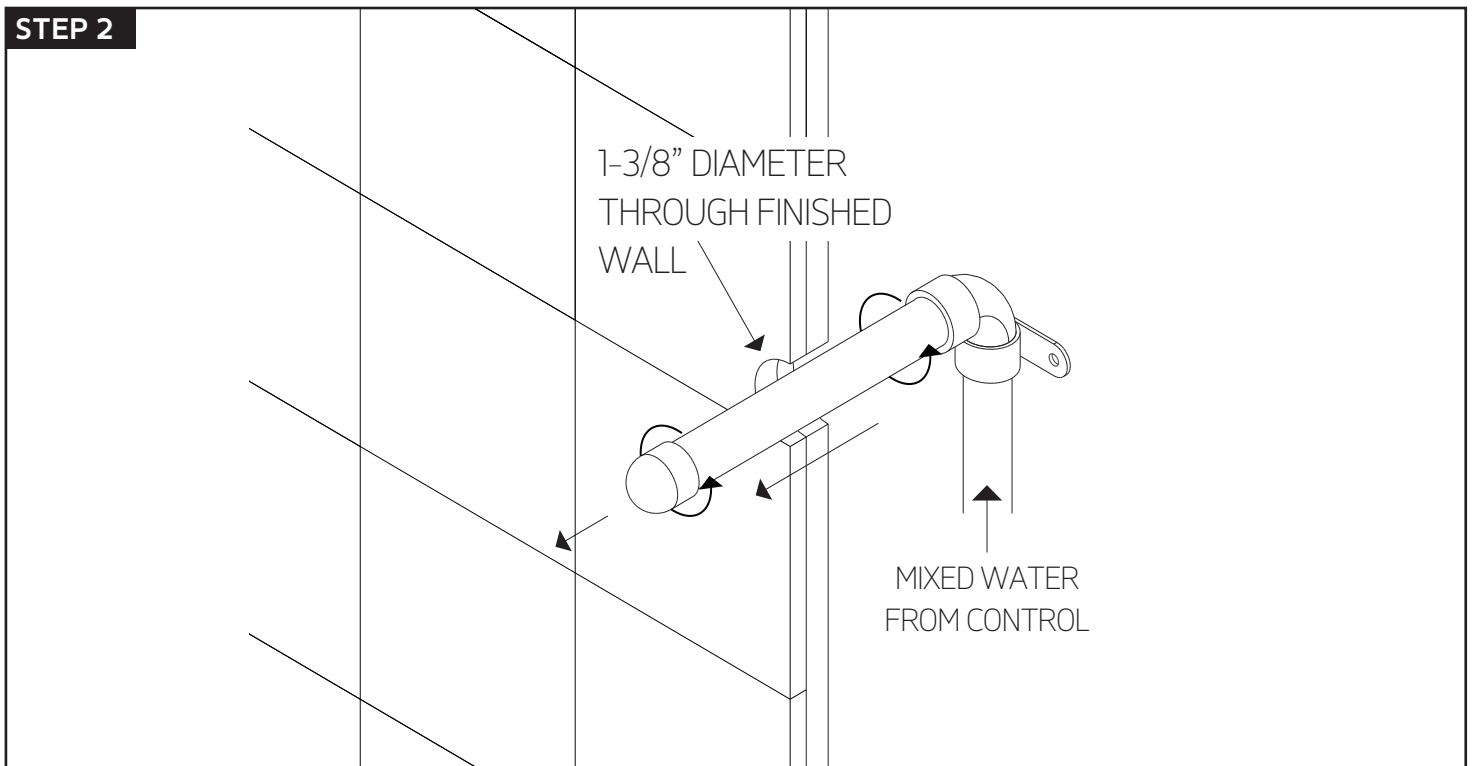


shower head

STEP 1



STEP 2

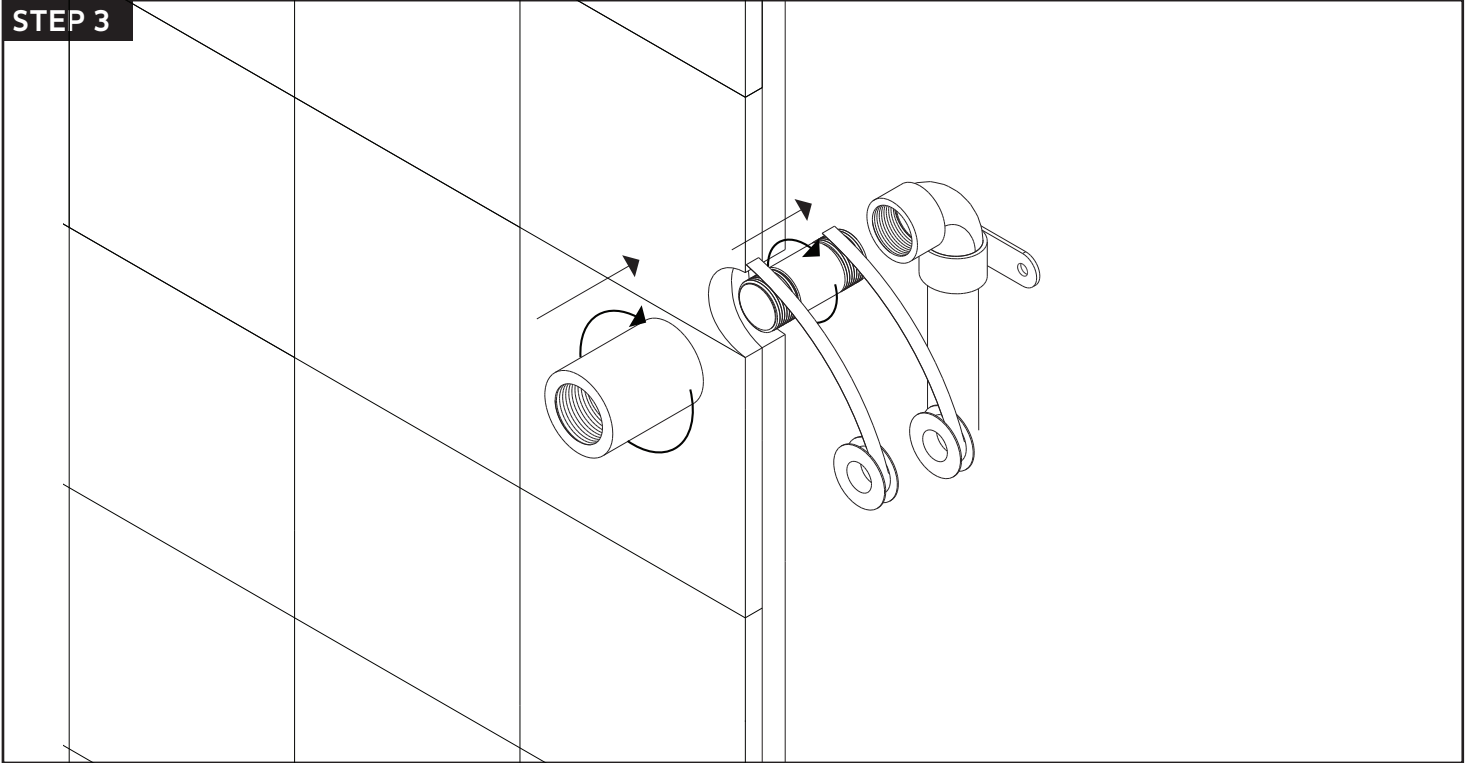


artos[®]

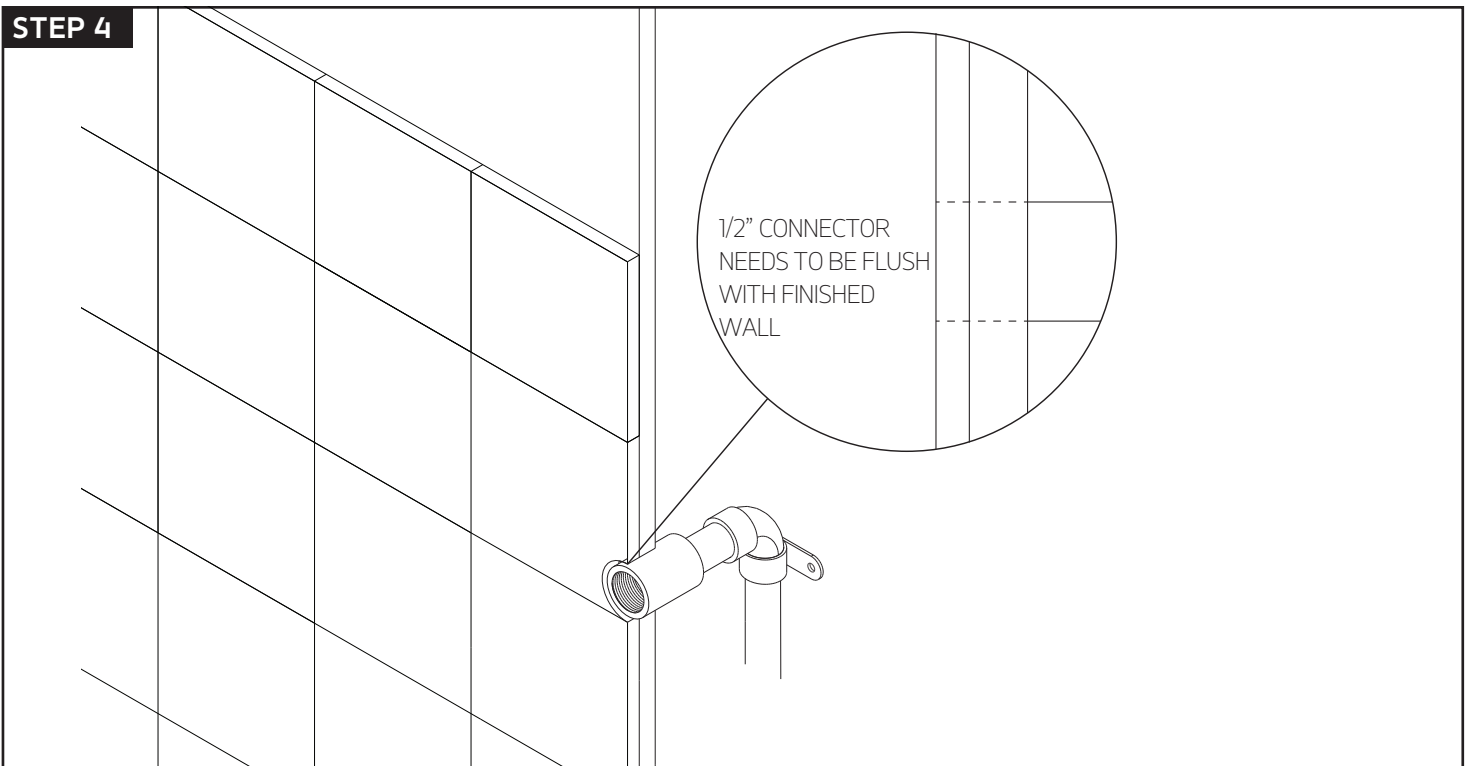
TS181

shower head

STEP 3

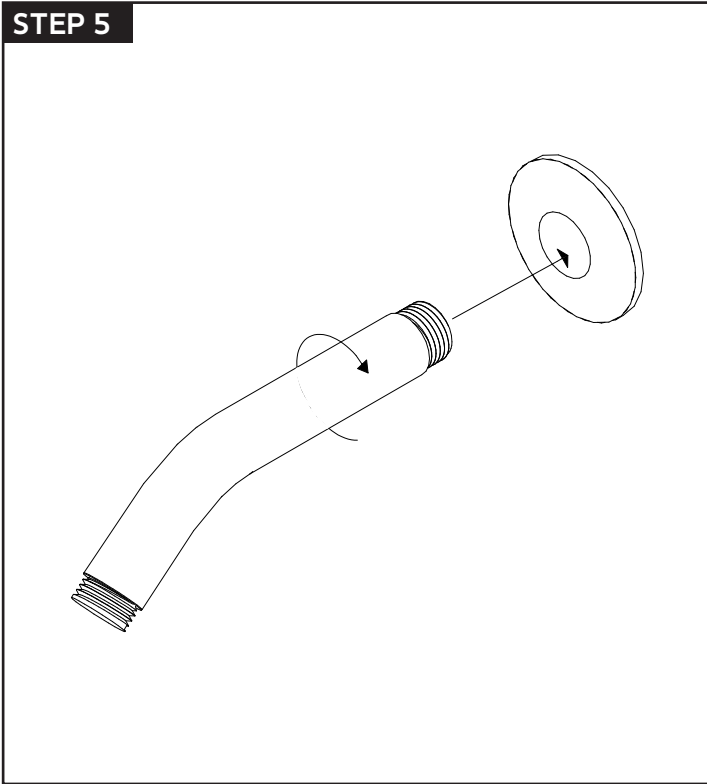


STEP 4

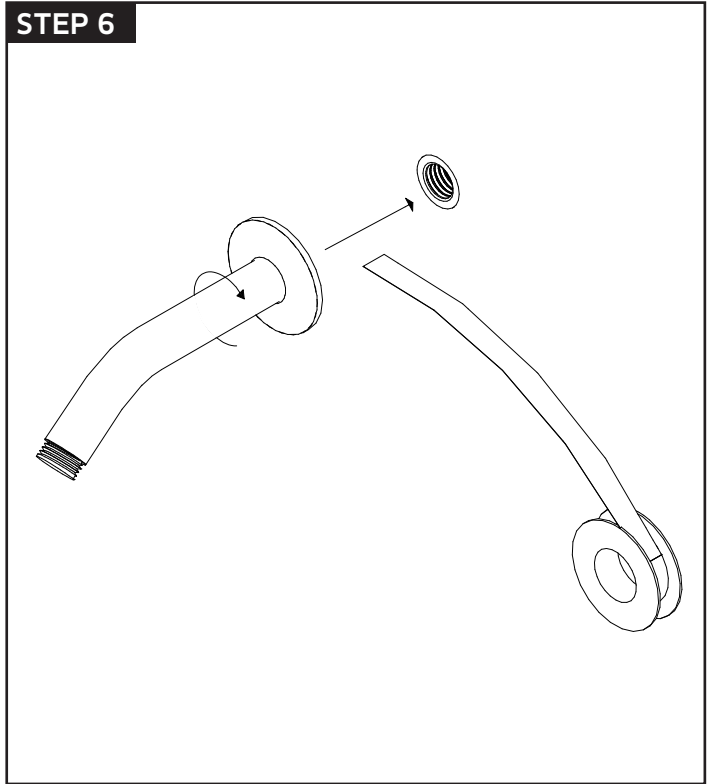


INSTALLATION STEPS

STEP 5



STEP 6



STEP 7

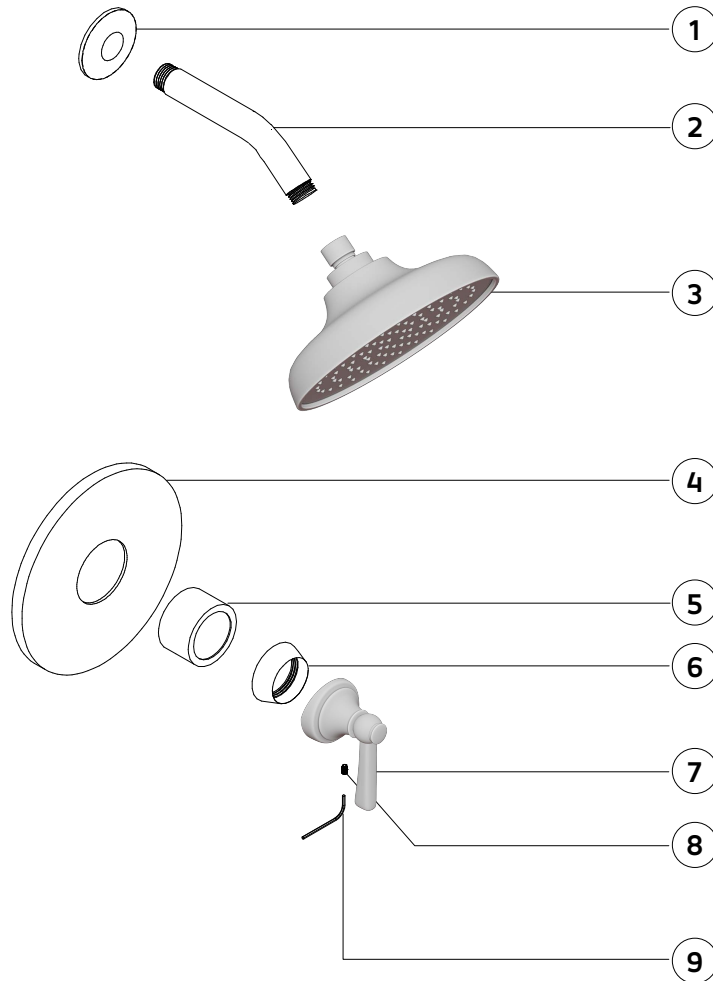


artos[®]

TS181

trova shower set
with tub filler round

PARTS BREAKDOWN



- 1 SHOWER ARM ESCUTCHEON
- 2 SHOWER ARM
- 3 SHOWER HEAD
- 4 TRIM KIT ESCUTCHEON
- 5 SLEEVE
- 6 BEVEL
- 7 HANDLE
- 8 SET SCREW
- 9 ALLEN WRENCH