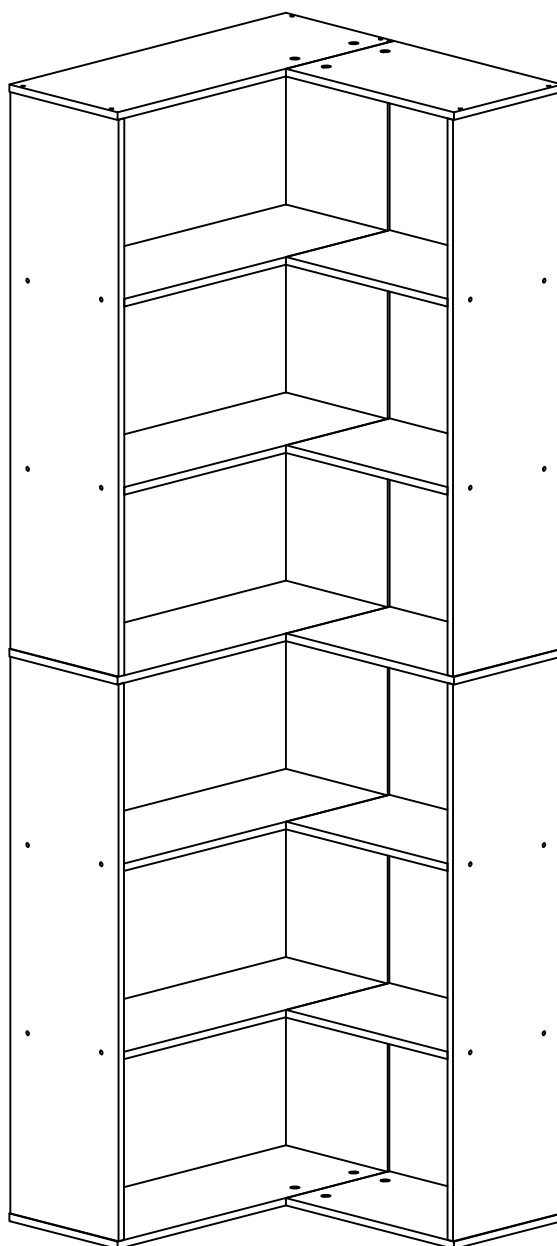


anctor

Installation Instruction

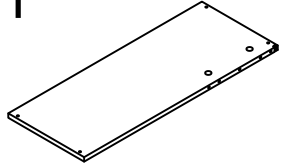
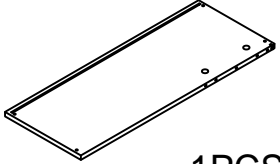
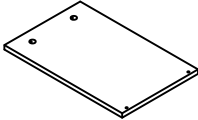
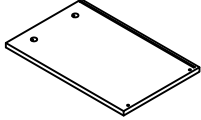
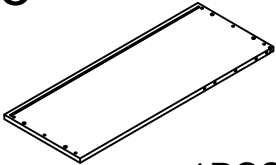
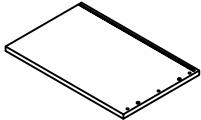
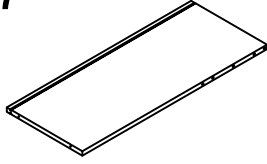
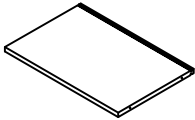
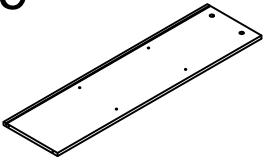
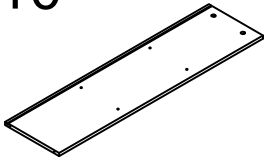
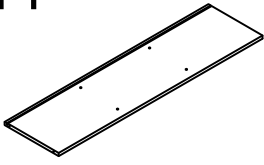
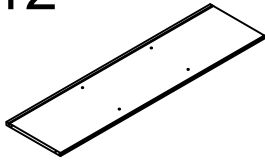
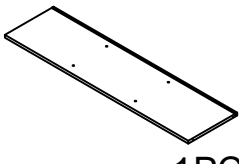
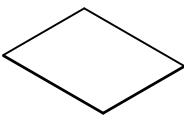
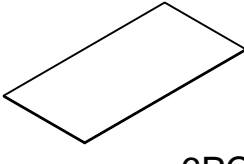
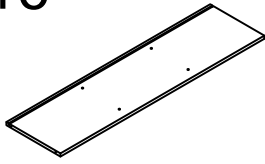
Please don't tighten the screws completely and go back later for a final tightening of all the screws after pieces are aligned with each other.




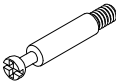
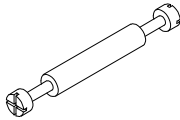
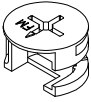
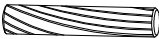
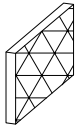
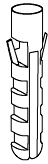
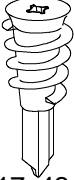
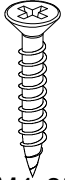
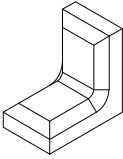
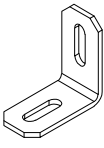


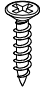
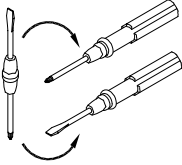

MADE IN CHINA

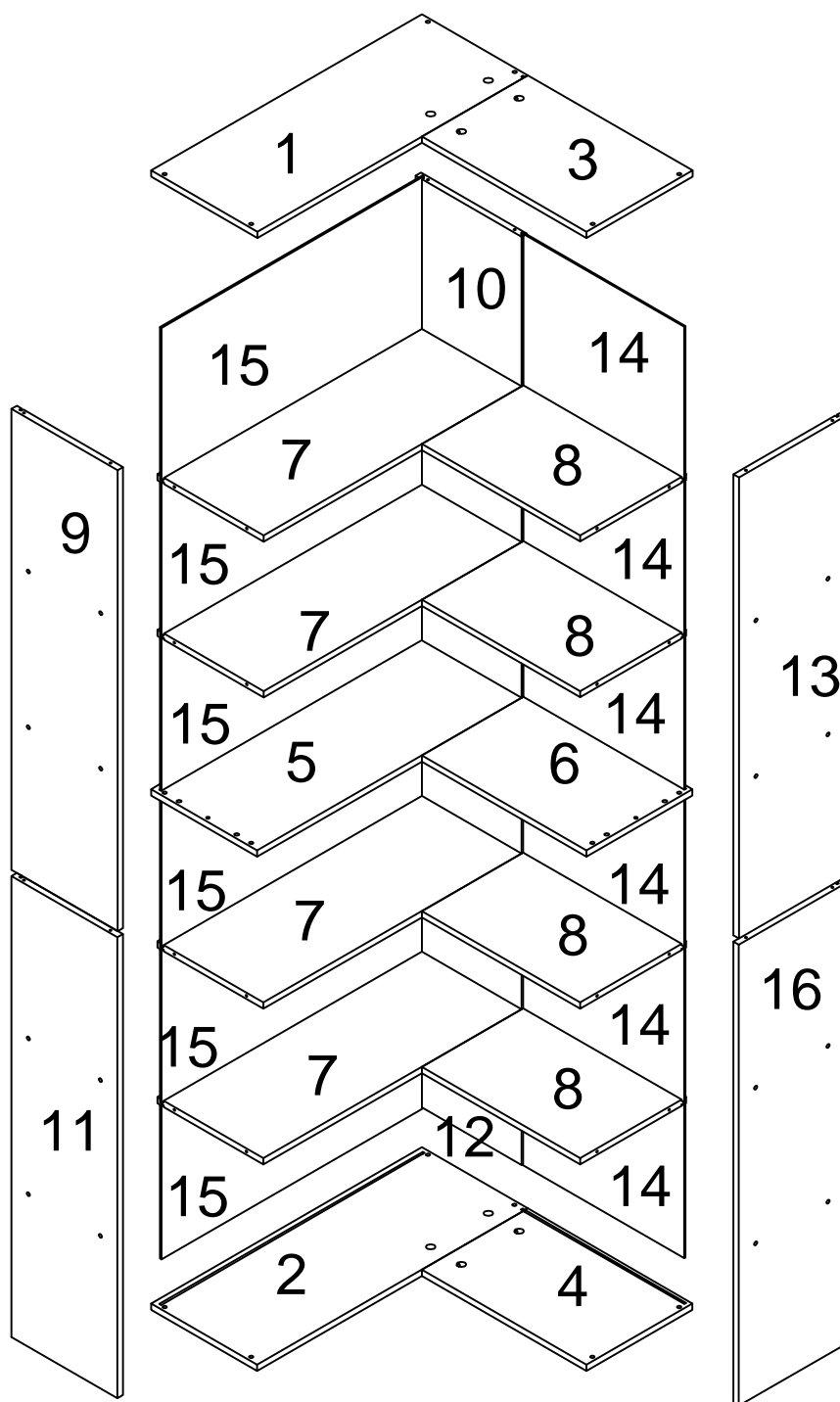
1.

HARDWARE LIST

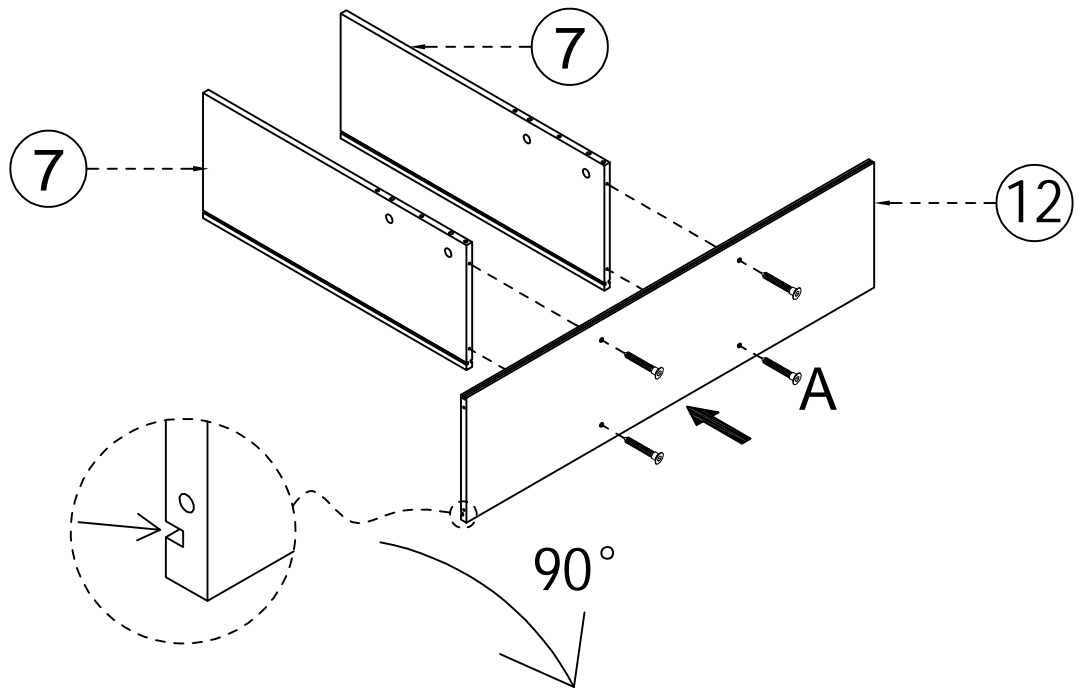
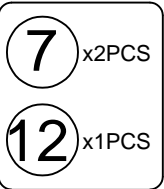
1  1PCS	2  1PCS	3  1PCS	4  1PCS
5  1PCS	6  1PCS	7  4PCS	8  4PCS
9  1PCS	10  1PCS	11  1PCS	12  1PCS
13  1PCS	14  6PCS	15  6PCS	16  1PCS

PARTA LIST

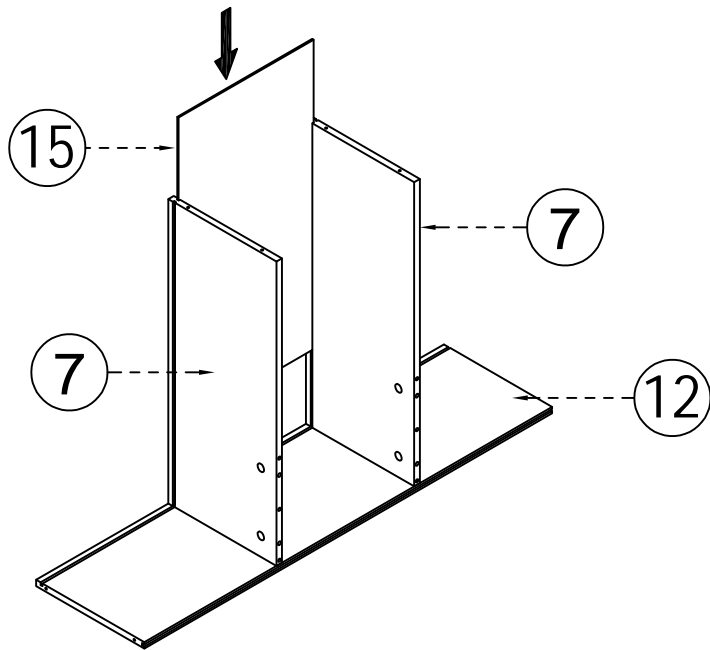
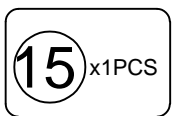
<p>A</p>  <p>M5*45mm 42+2PCS</p>	<p>B</p>  <p>Ø6.5x32mm 6+1PCS</p>	<p>C</p>  <p>Ø5x64mm 14+1PCS</p>	<p>D</p>  <p>Ø15x9.8mm 34+2PCS</p>	
<p>E</p>  <p>ø6*30mm 24+2PCS</p>	<p>F</p>  <p>6PCS</p>	<p>G</p>  <p>Ø6x25mm G1x2PCS</p>  <p>Ø17x42mm G2x2PCS</p>  <p>Ø8xM4x25mm G3x2PCS</p>		
<p>H</p>  <p>28x28x18mm H1x2PCS</p>  <p>26x26x13.5mm H2x2PCS</p>  <p>Ø7*M3.5*12mm H3x2PCS</p>			<p>I</p>  <p>14*14*11mm 48+2PCS</p>	<p>J</p>  <p>Ø6*M3*16mm 48+2PCS</p>
 <p>1SETS</p>		 <p>M4 1PCS</p>		



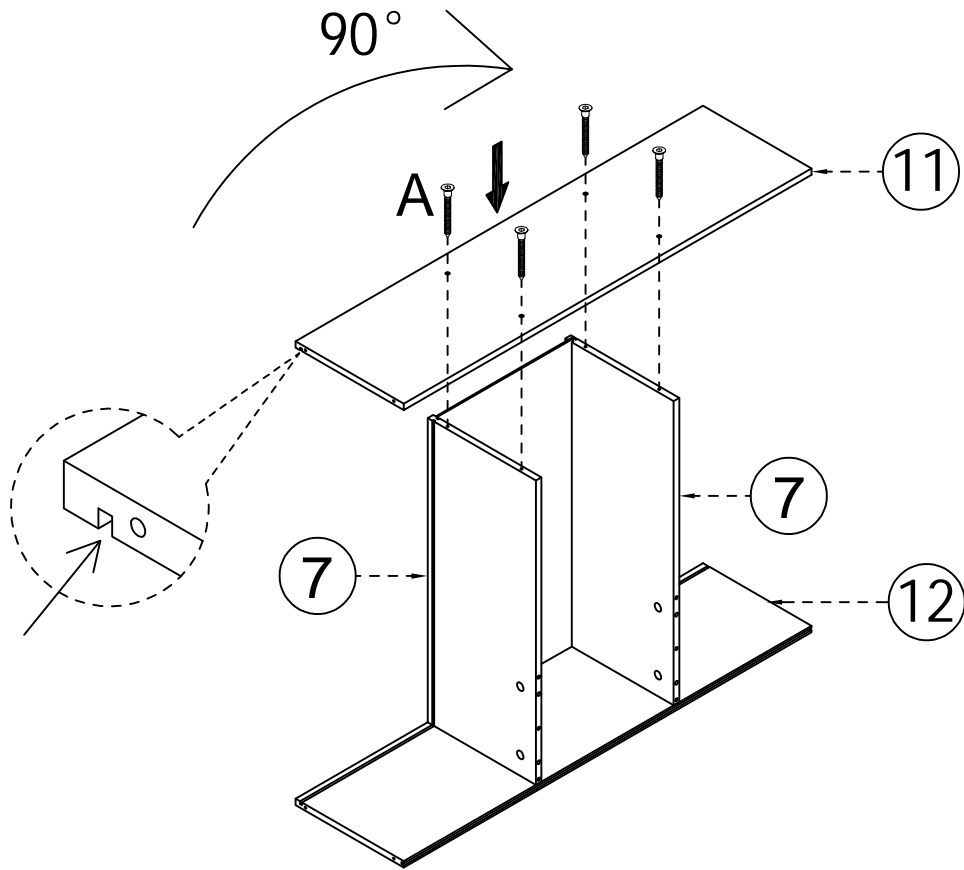
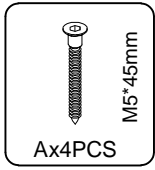
1



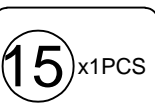
2



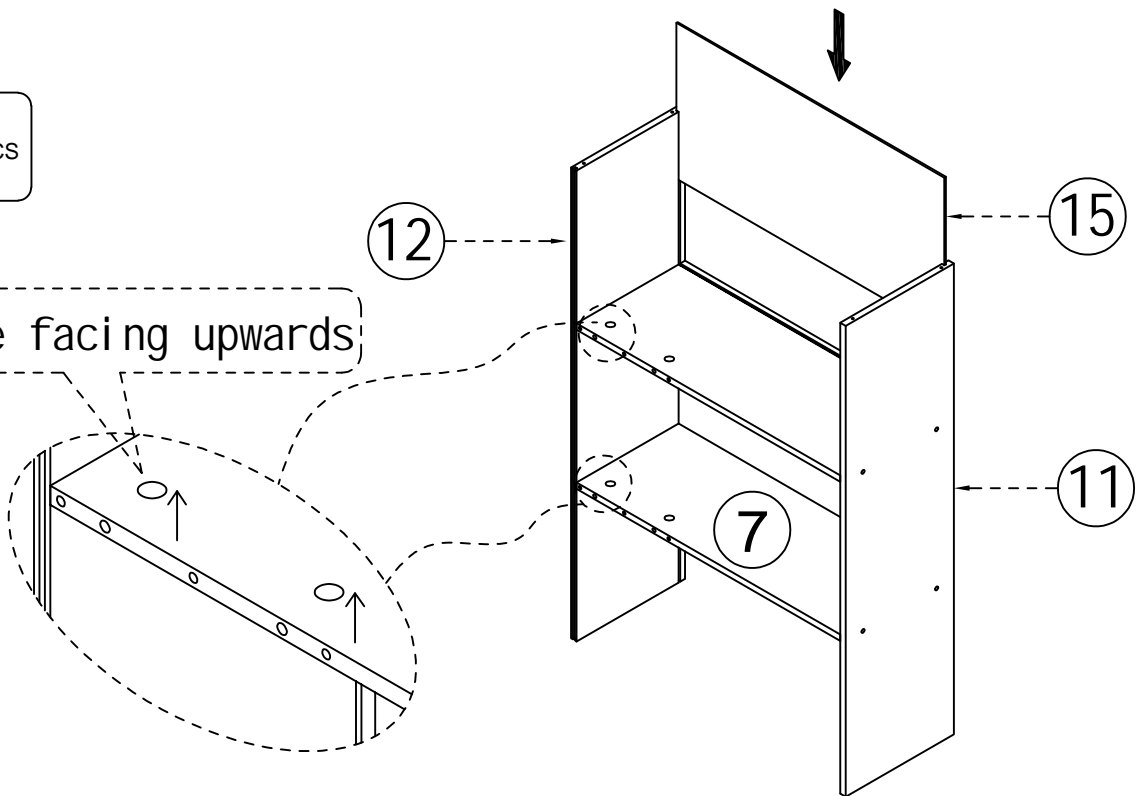
3



4

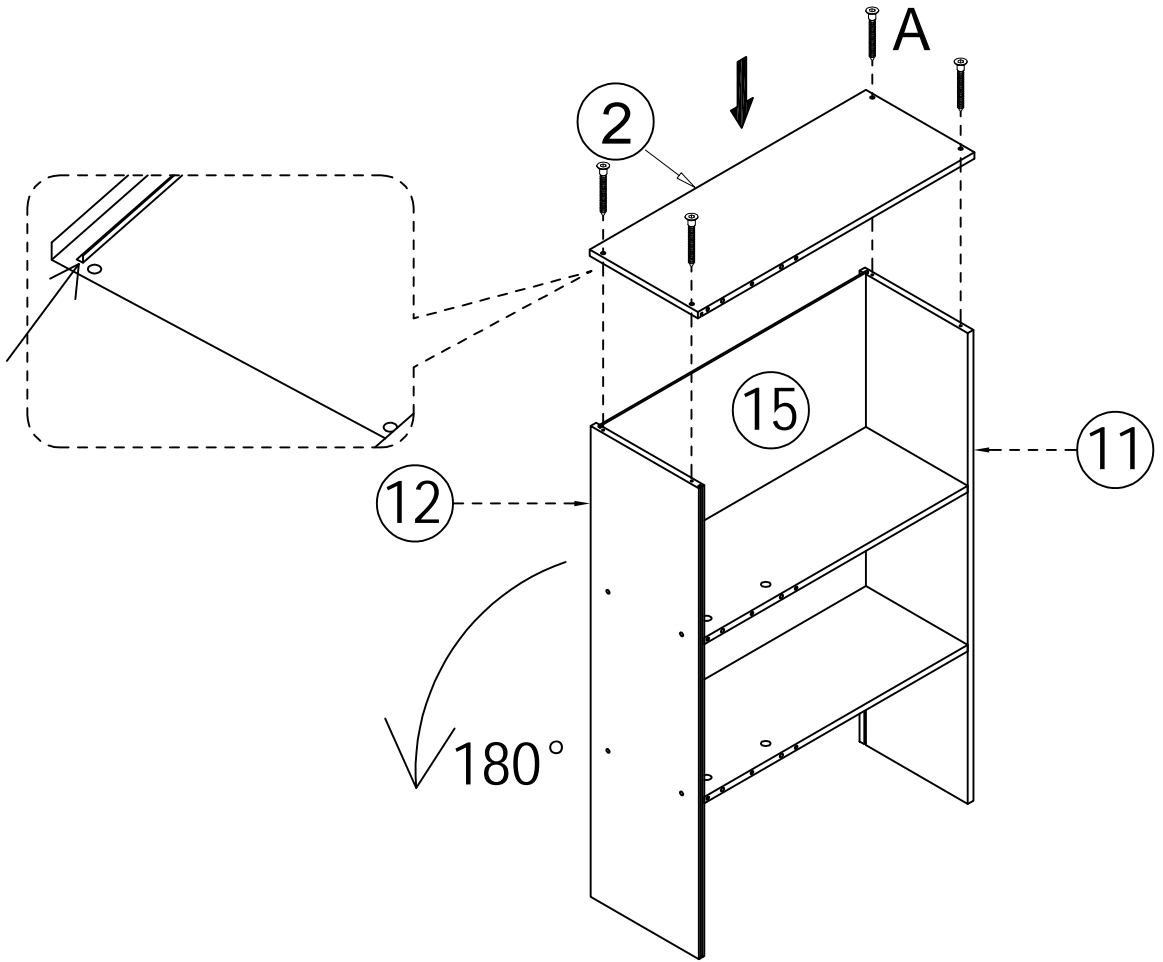
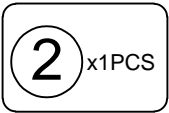
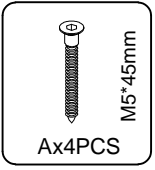


Hole facing upwards

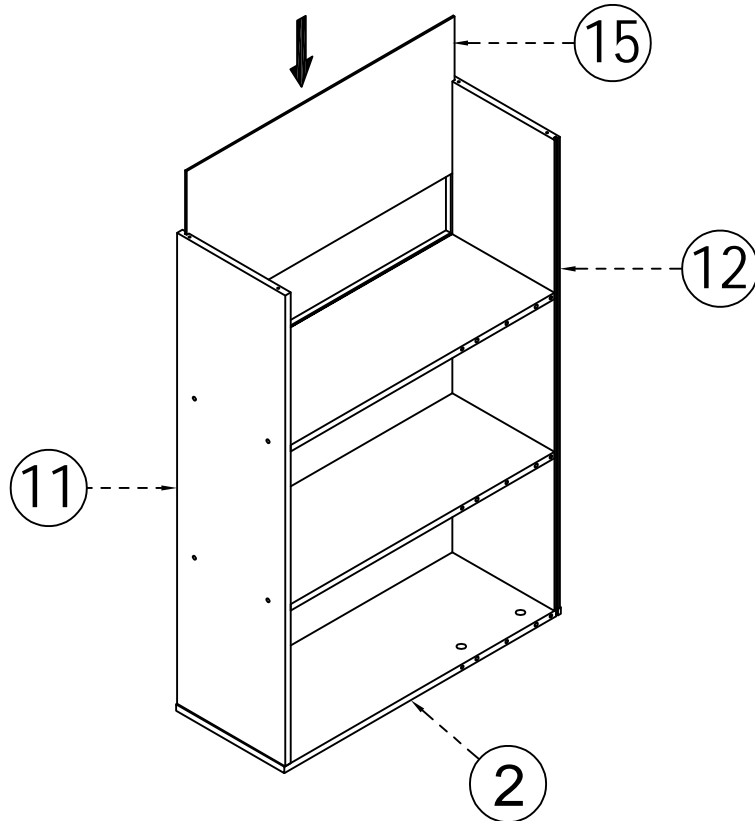
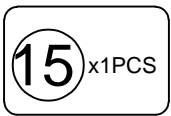


6.

5

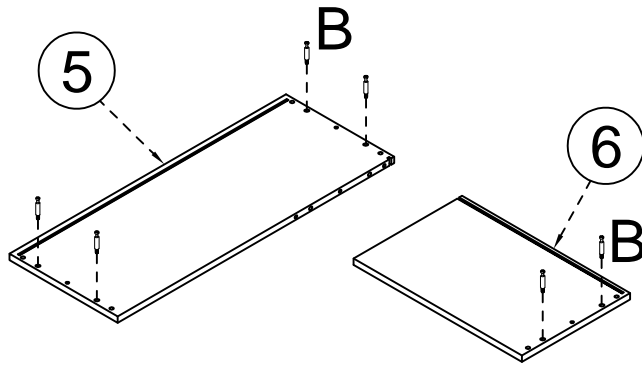
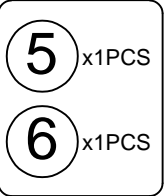
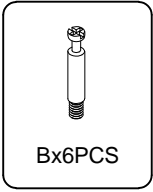


6

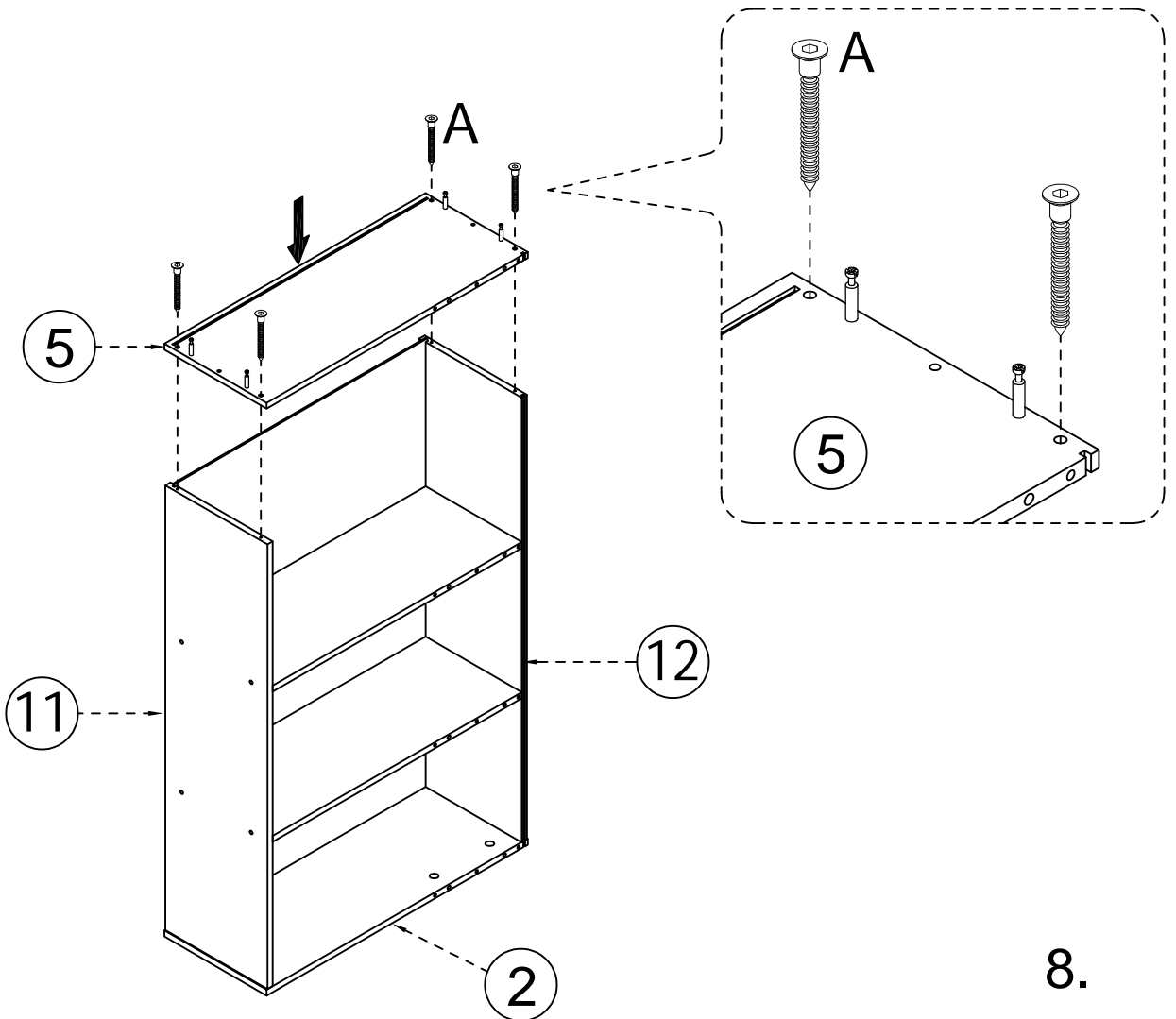


7.

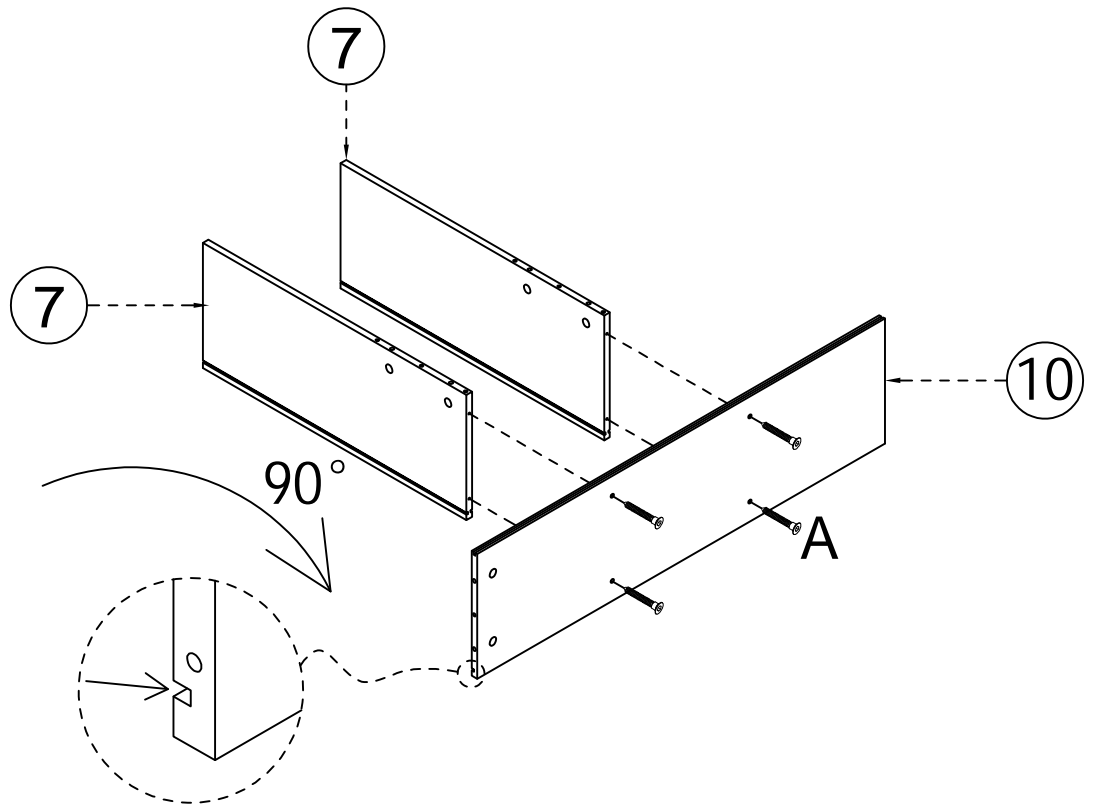
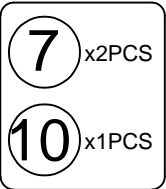
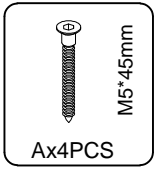
7



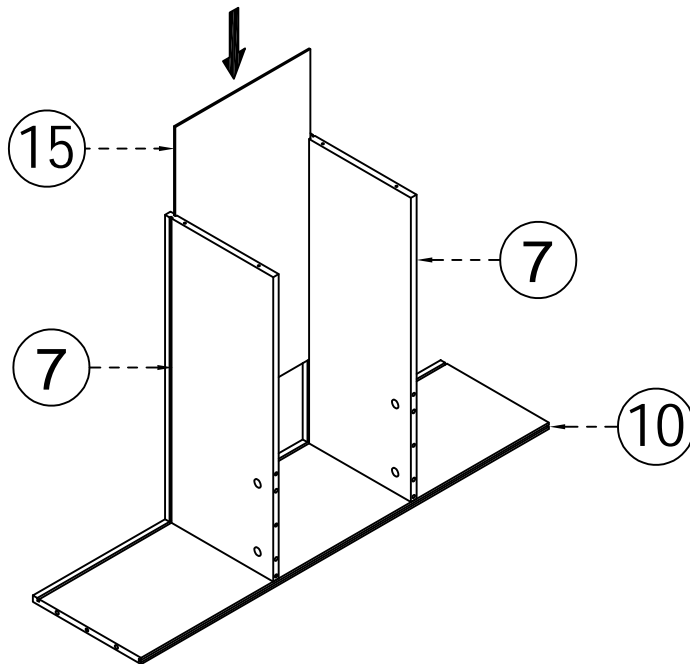
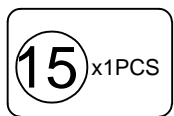
8



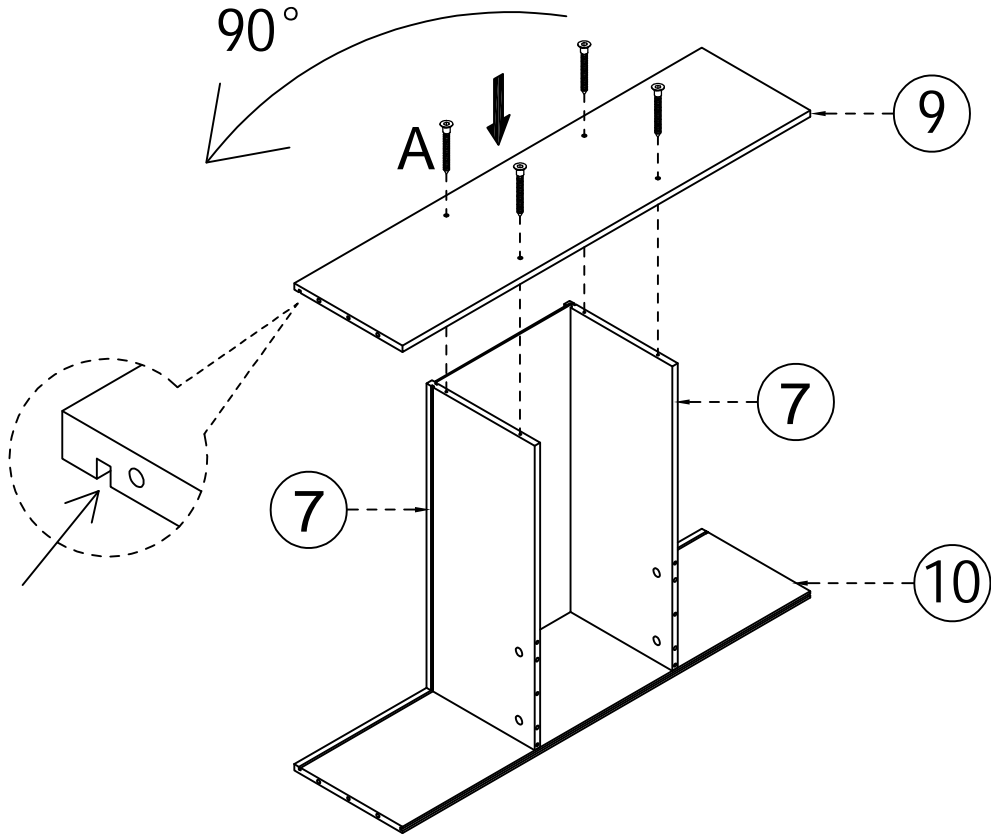
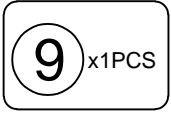
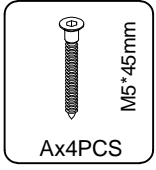
9



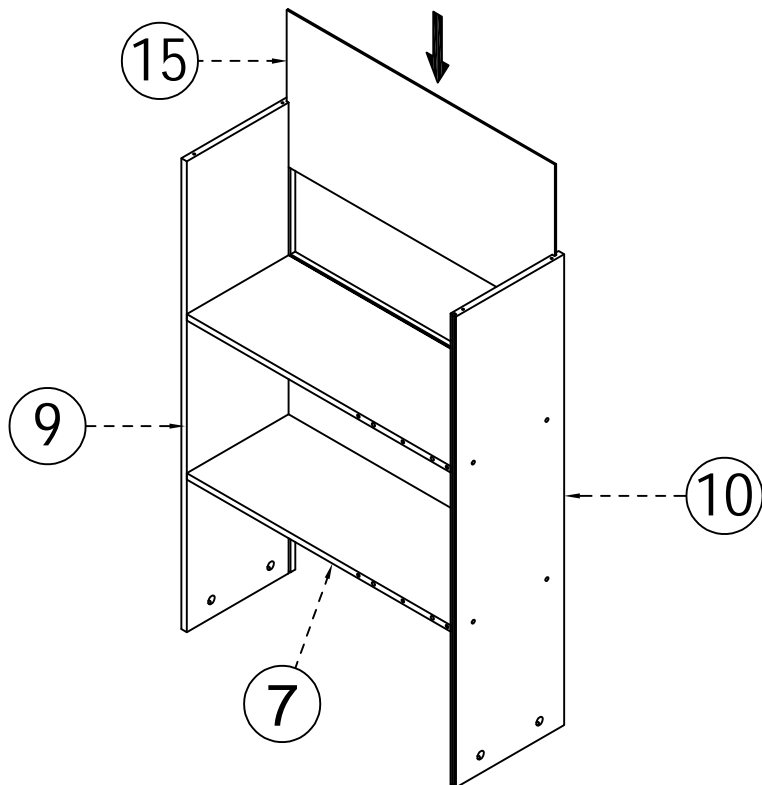
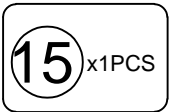
10



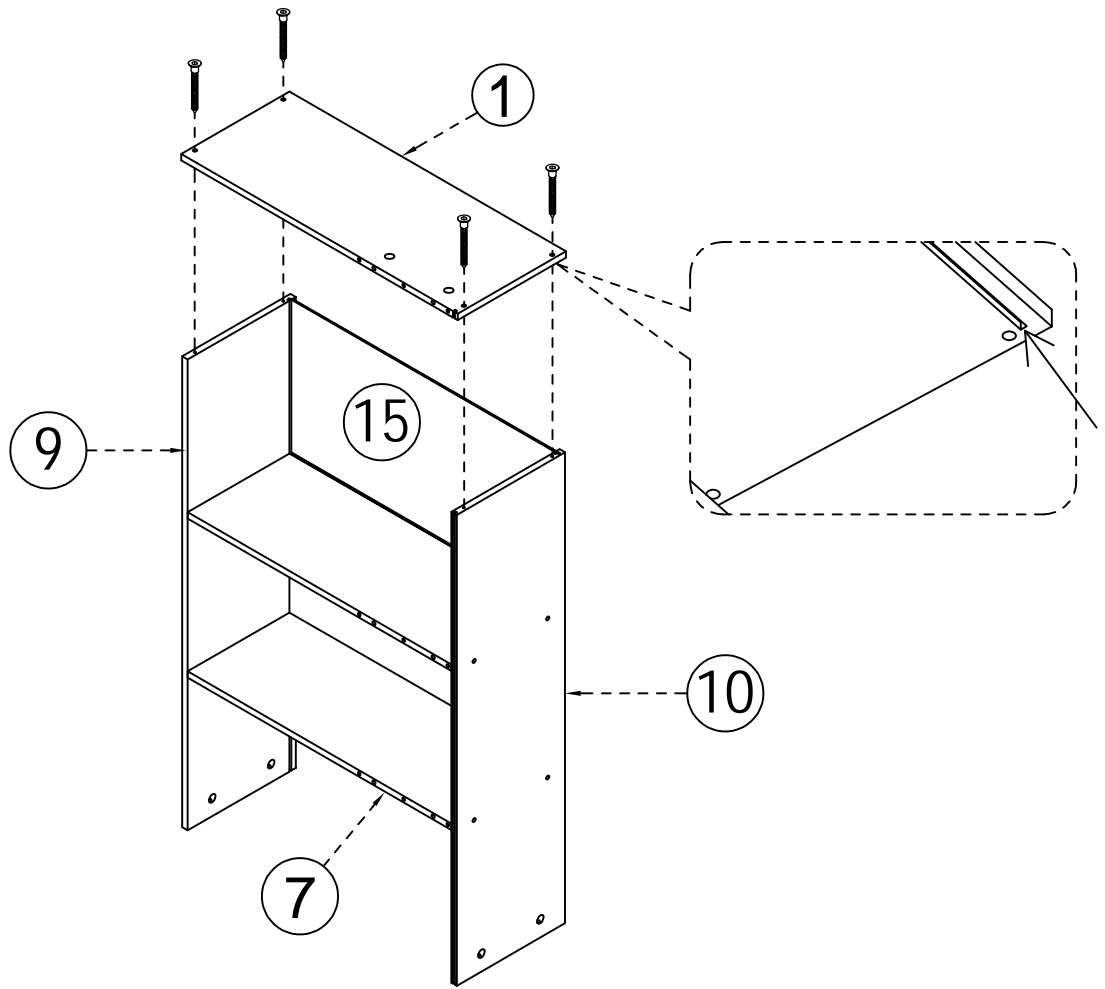
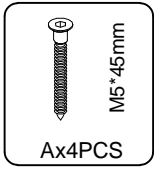
11



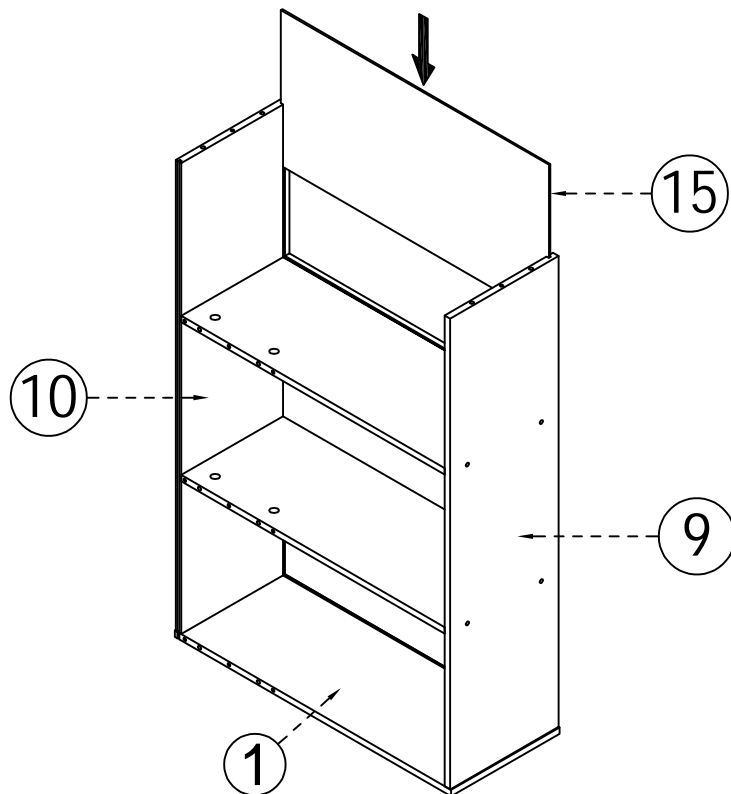
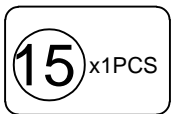
12



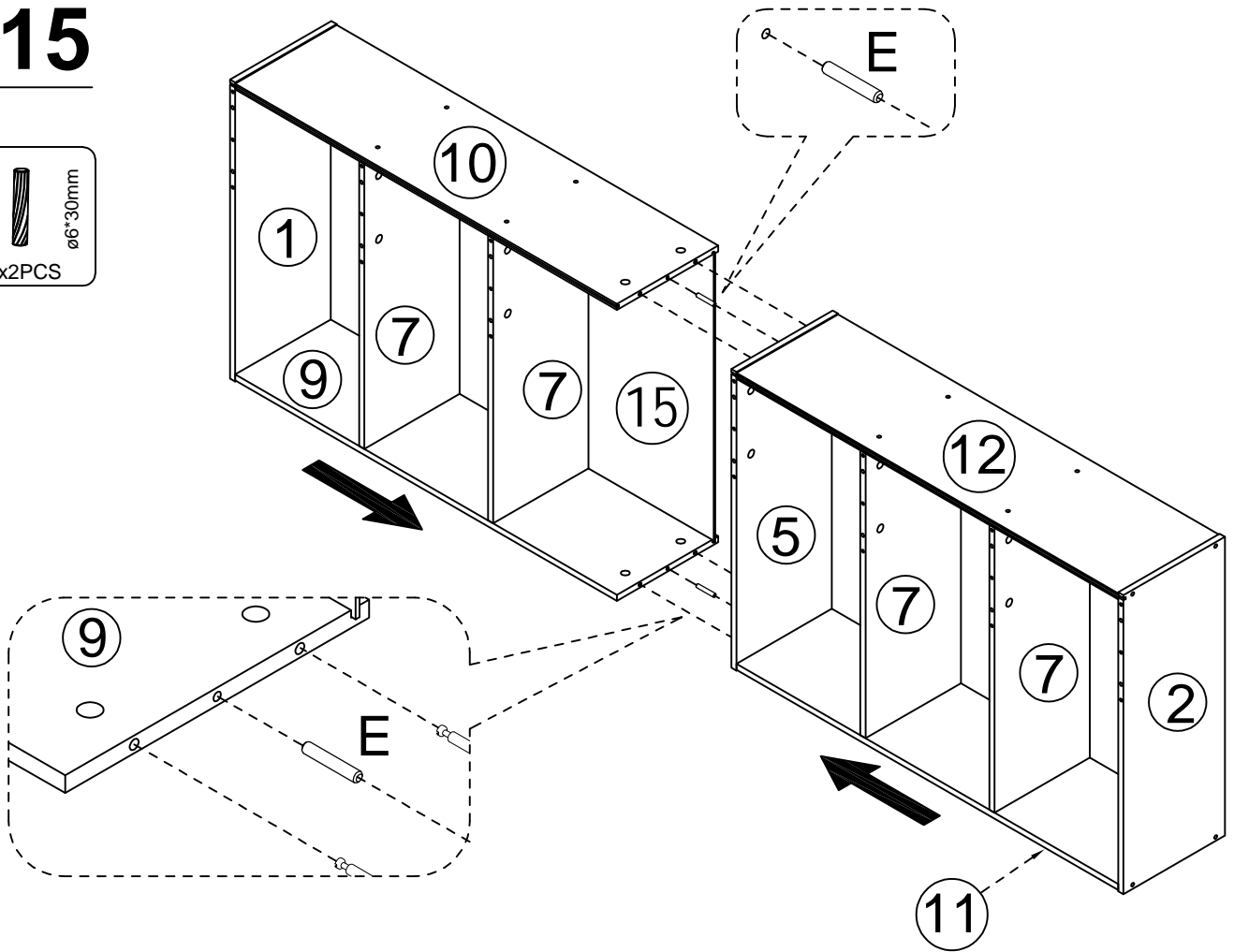
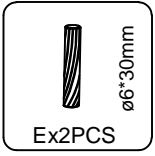
13



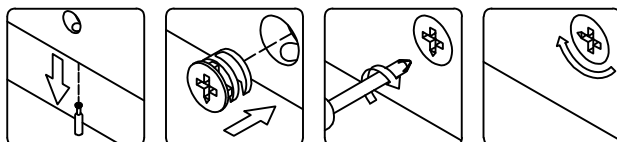
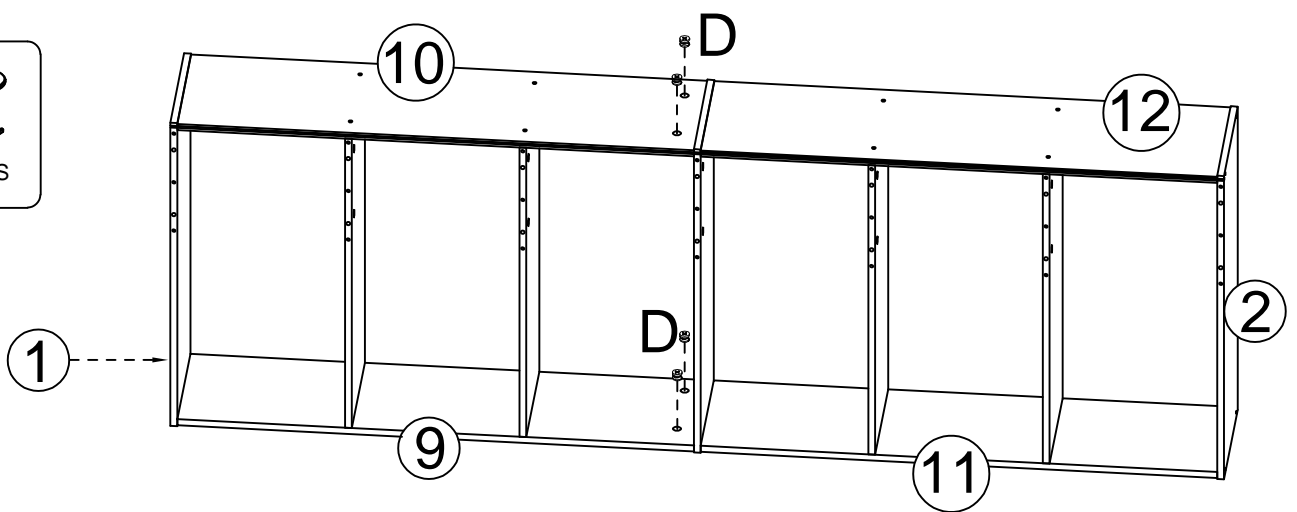
14



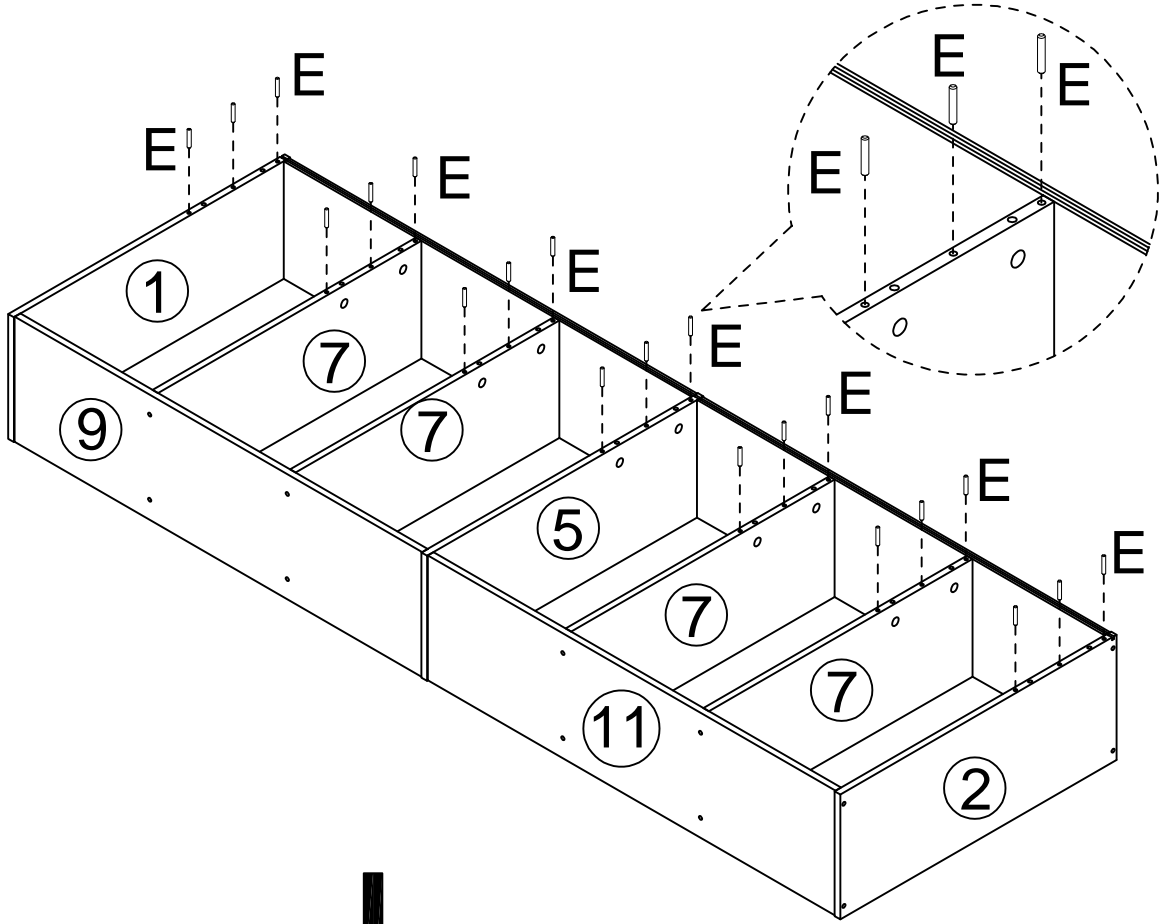
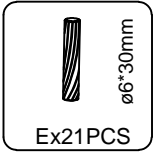
15



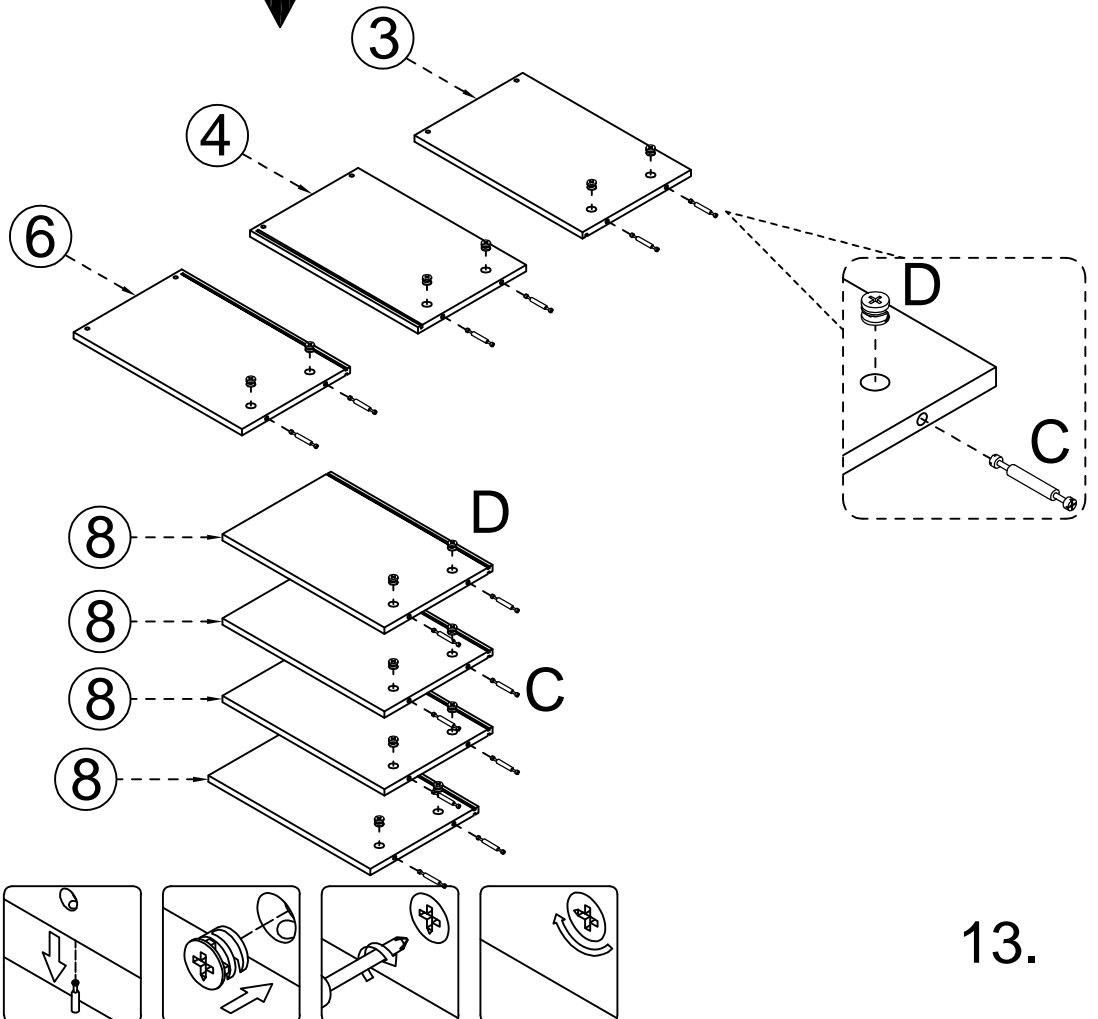
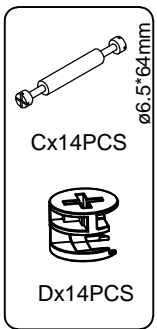
16



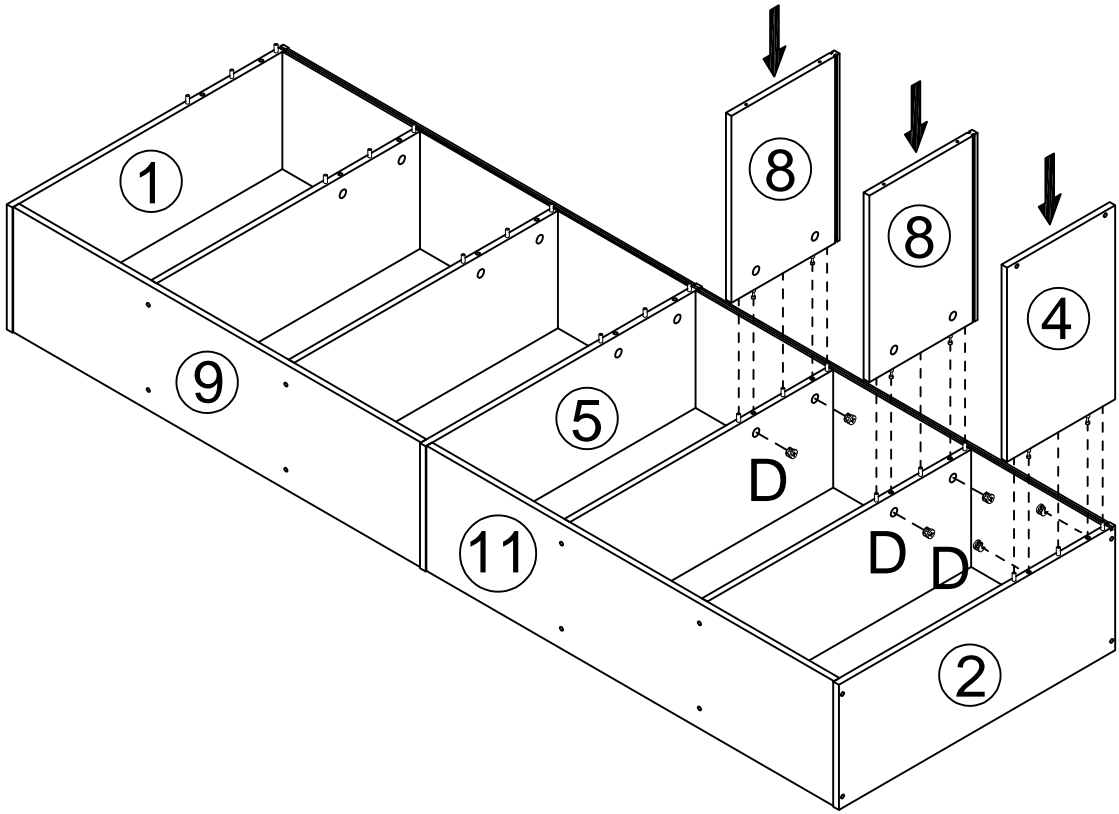
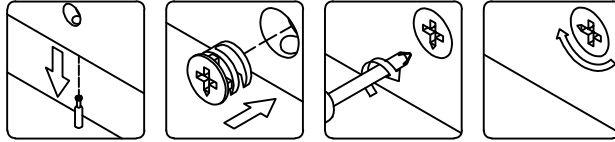
17



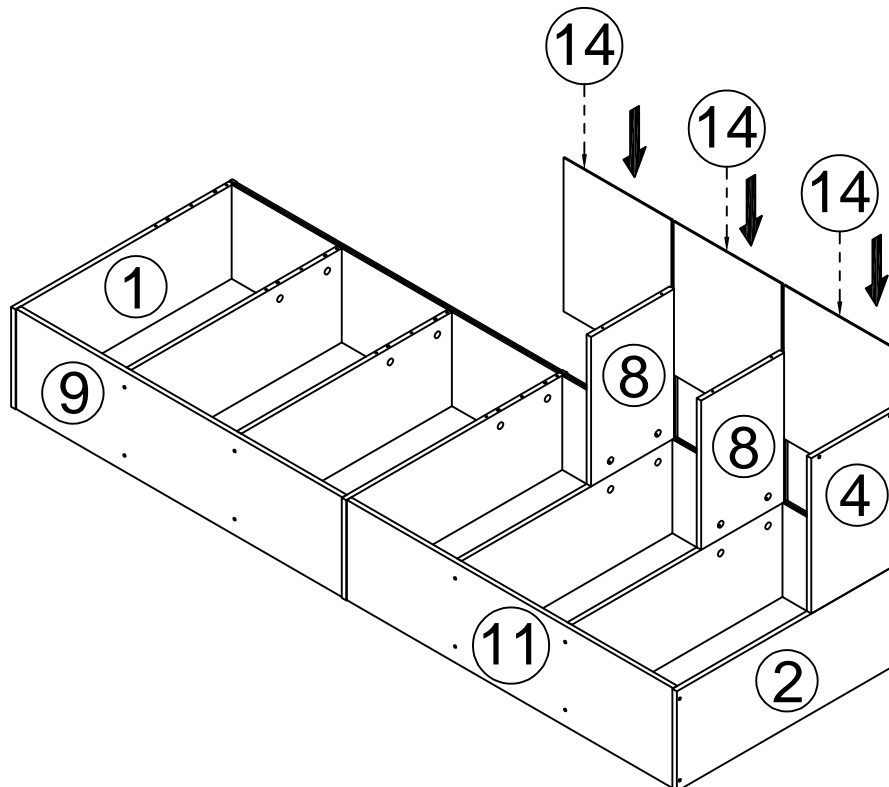
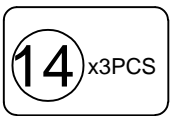
18



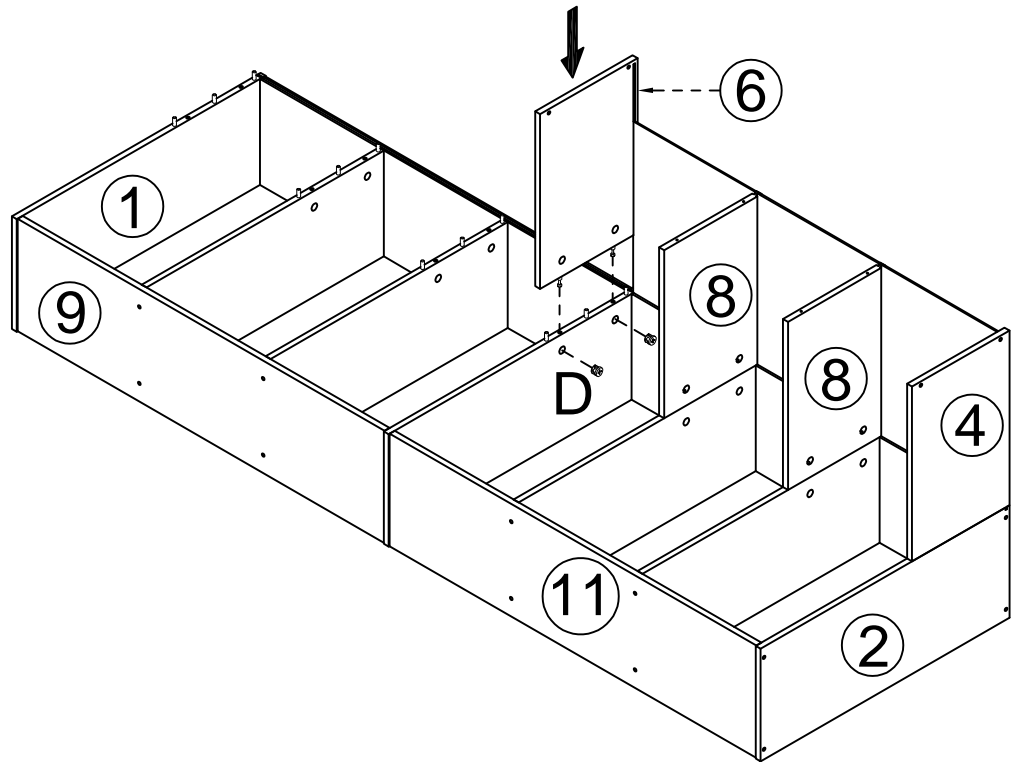
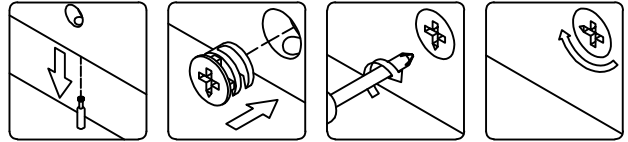
19



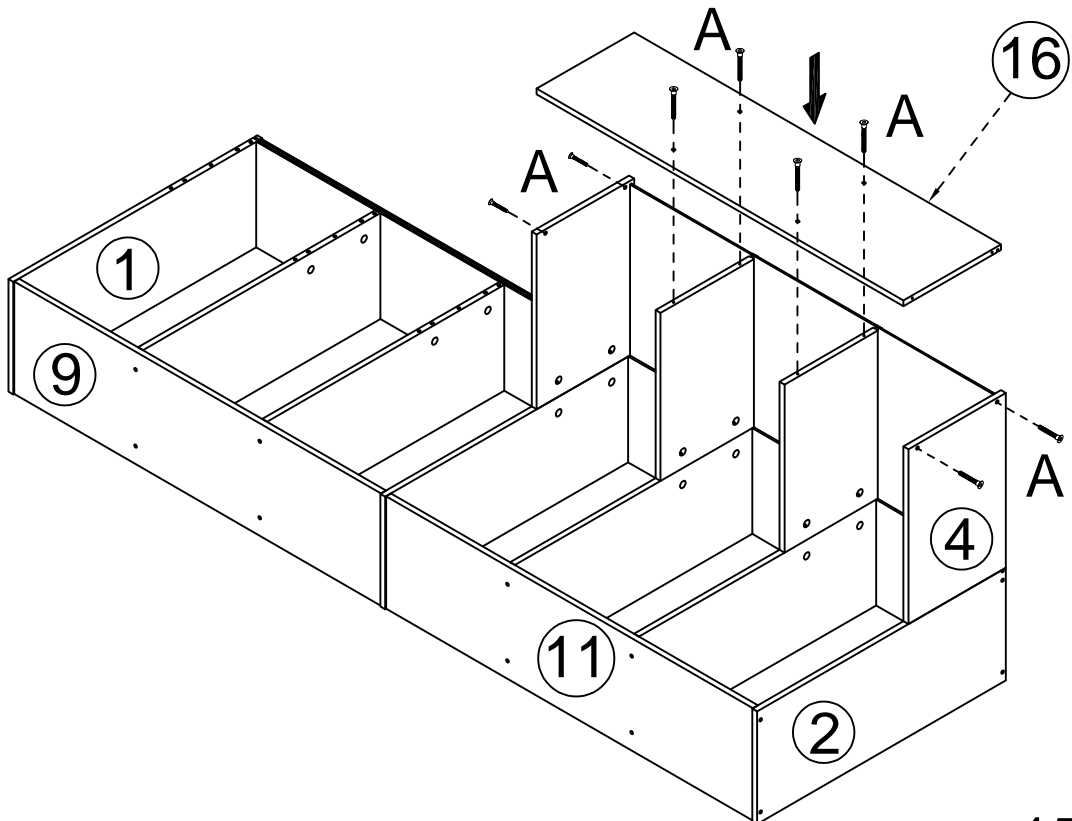
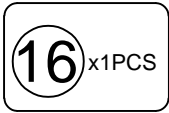
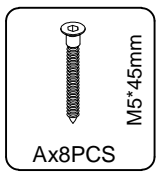
20



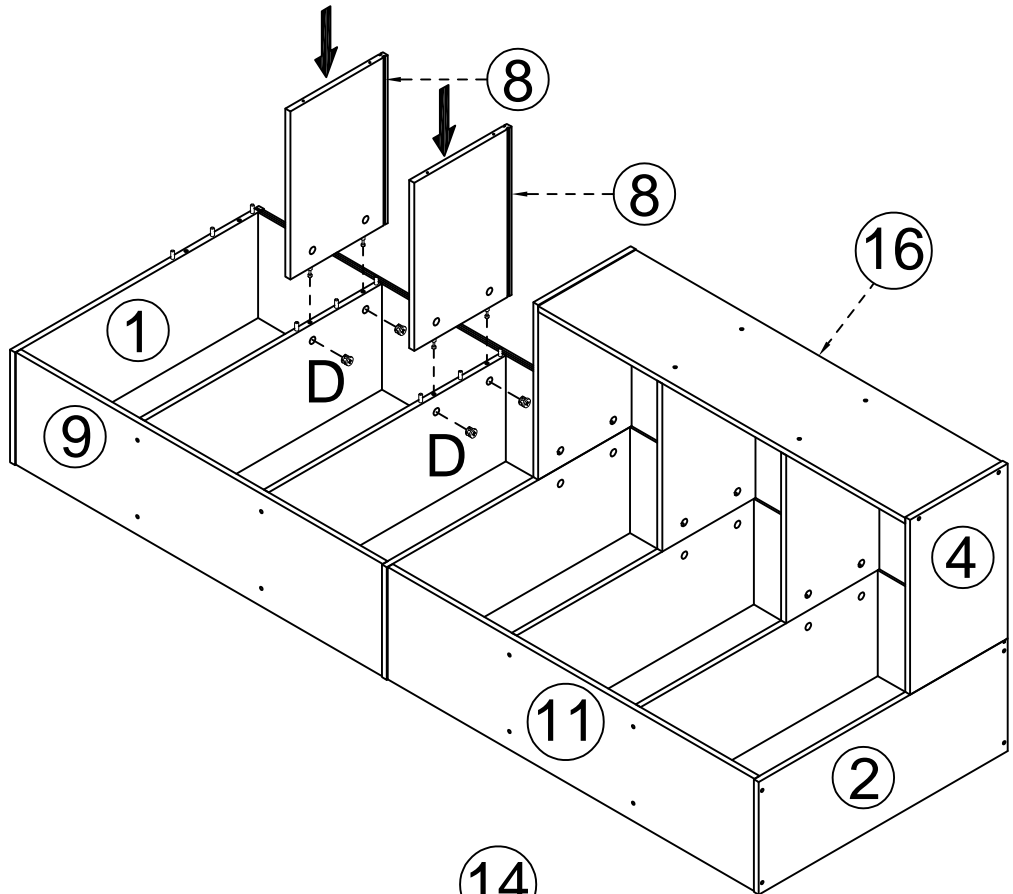
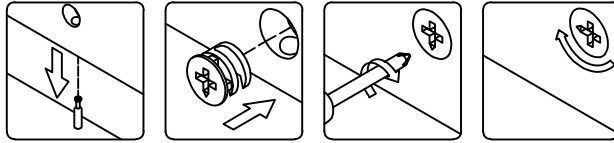
21



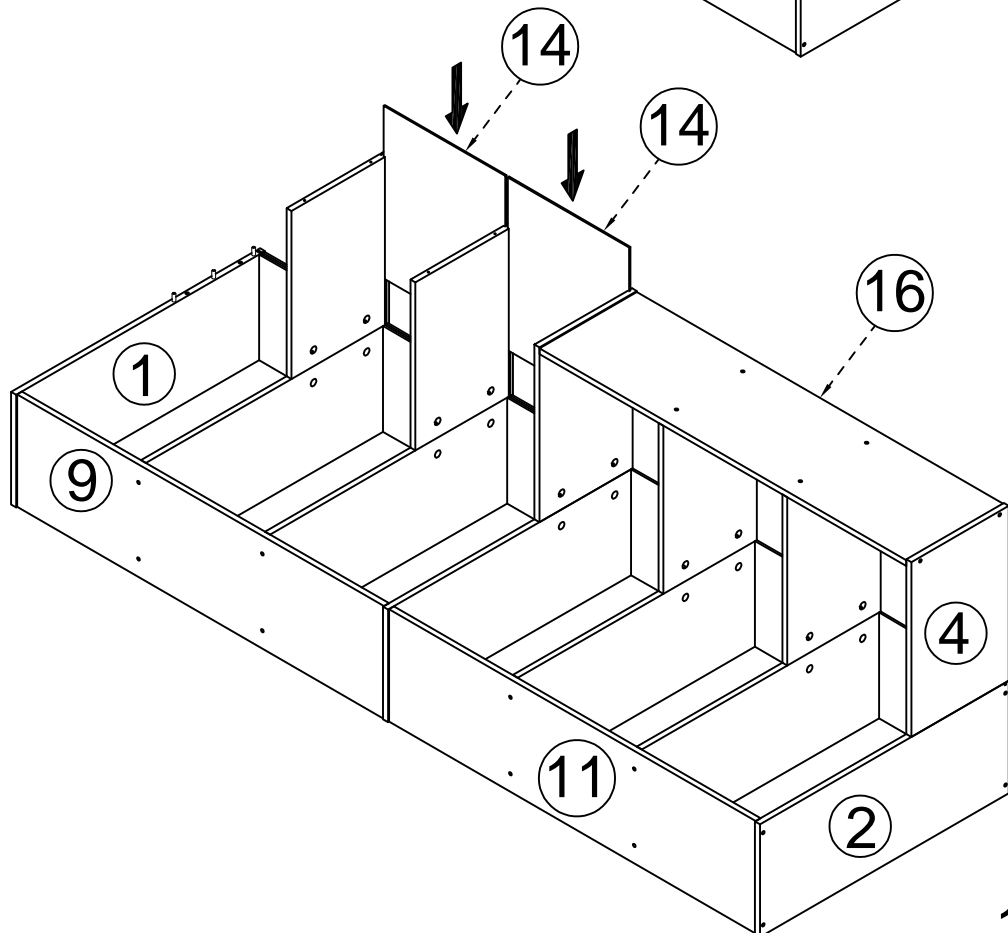
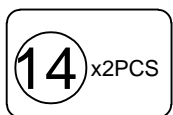
22



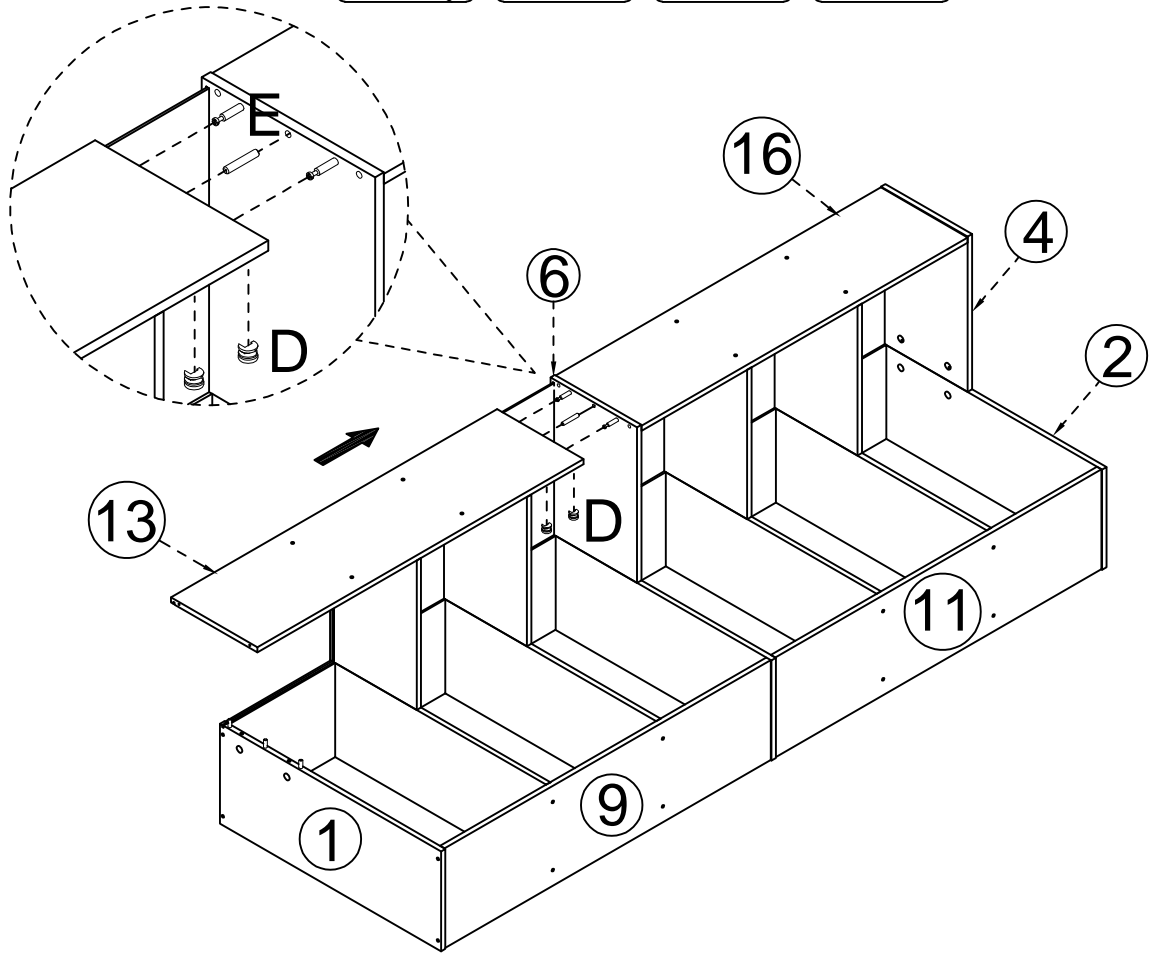
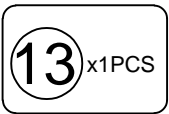
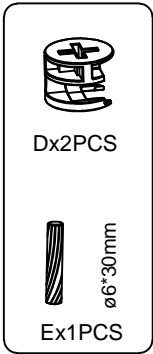
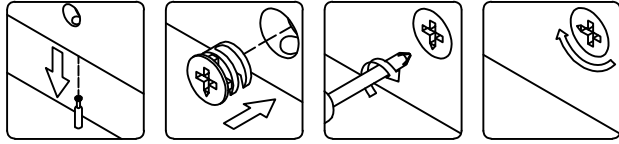
23



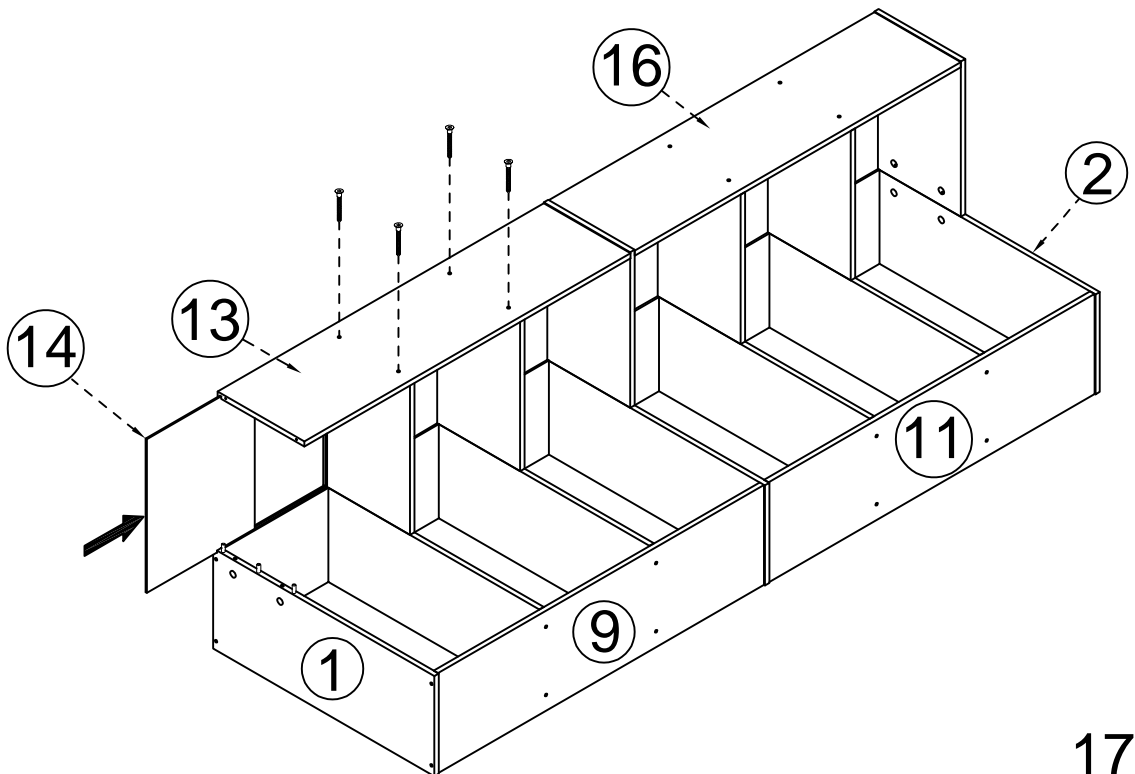
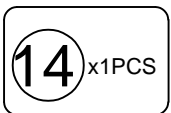
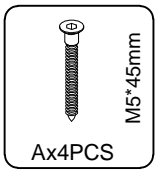
24



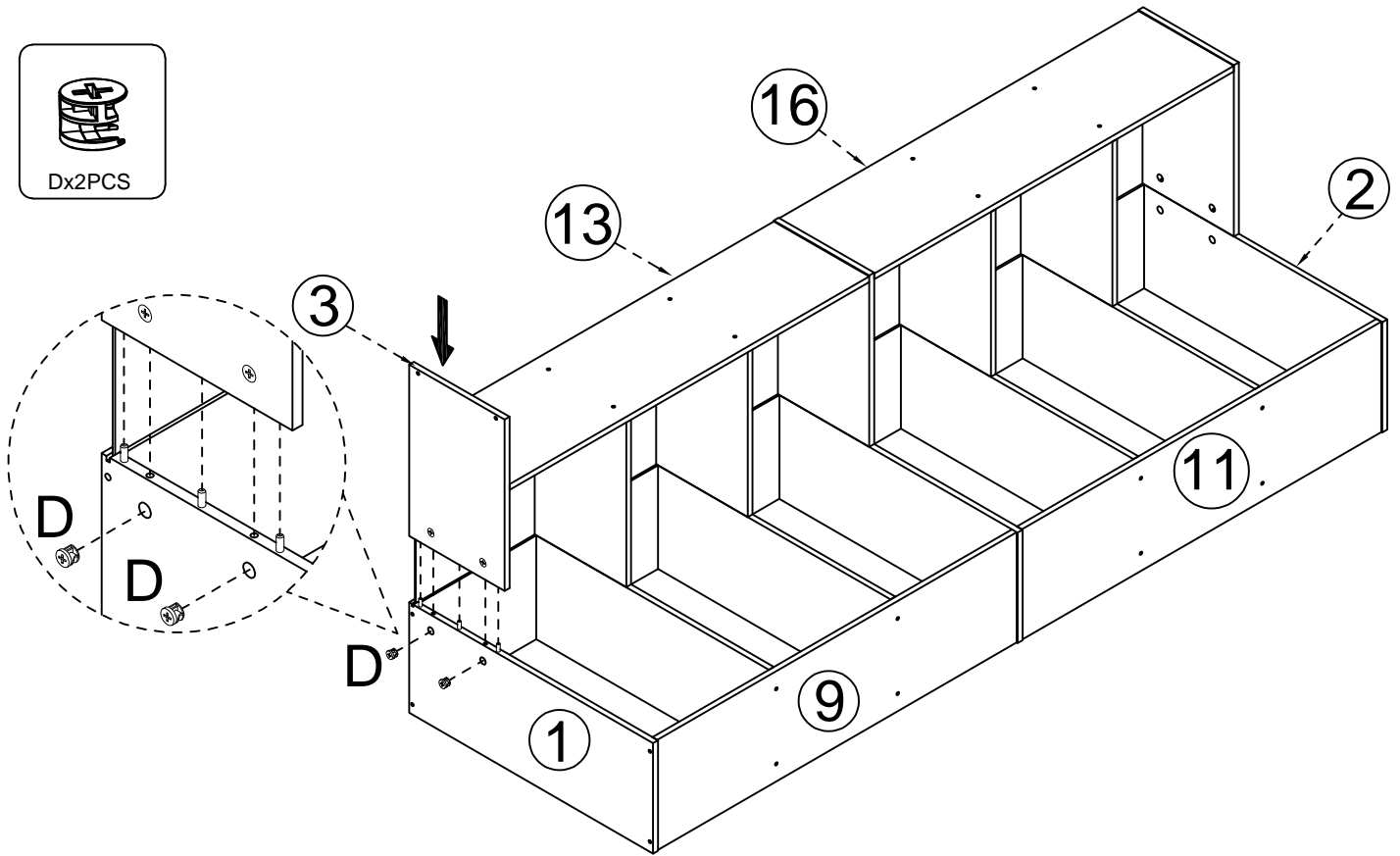
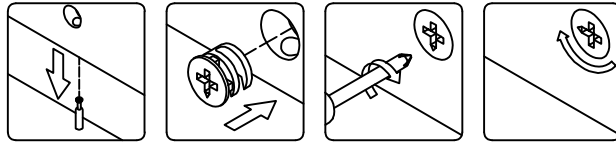
25



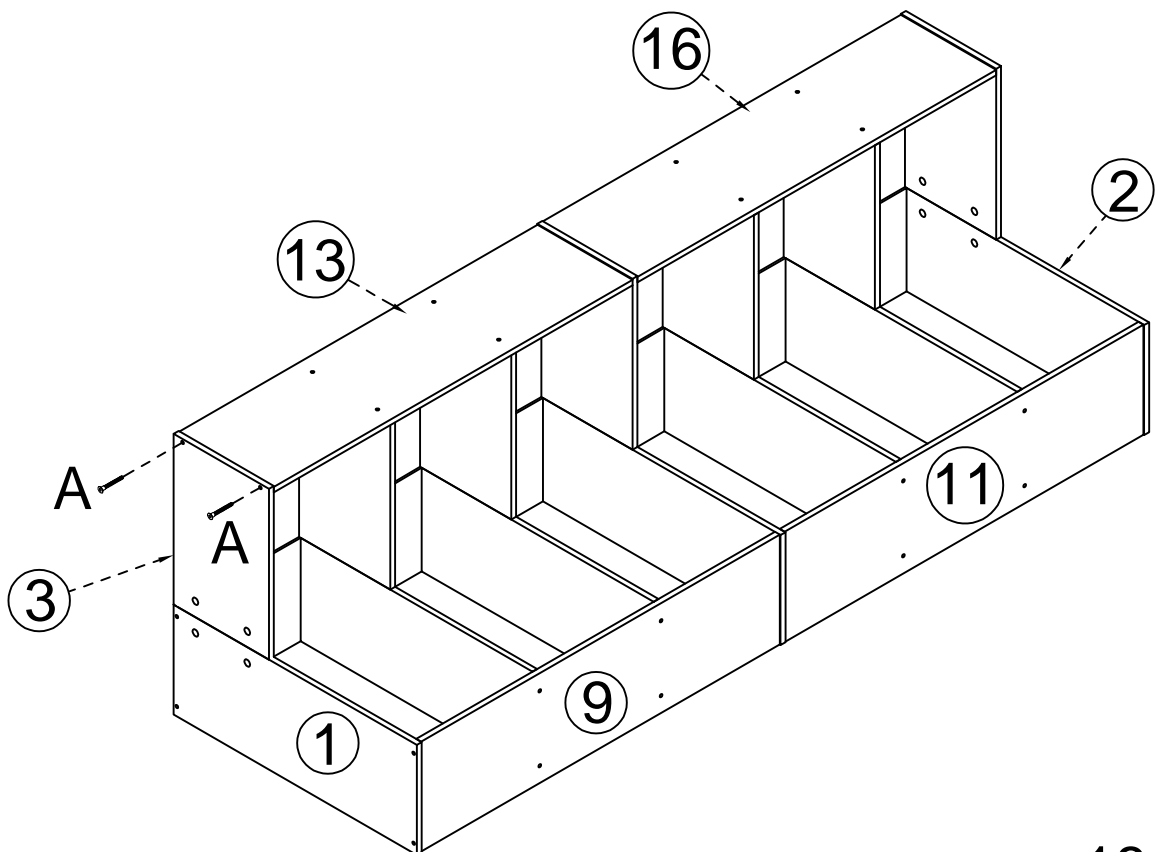
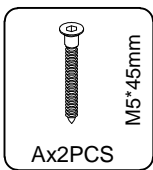
26



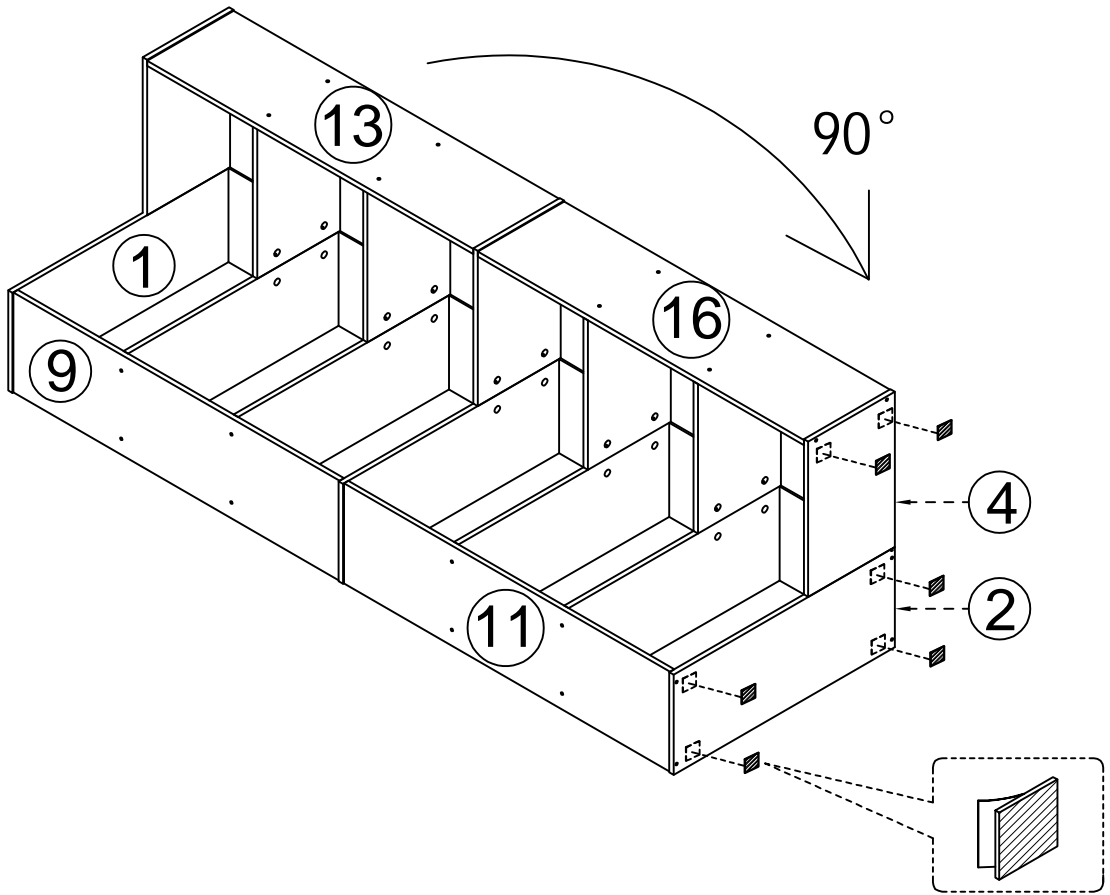
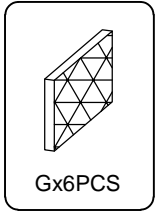
27



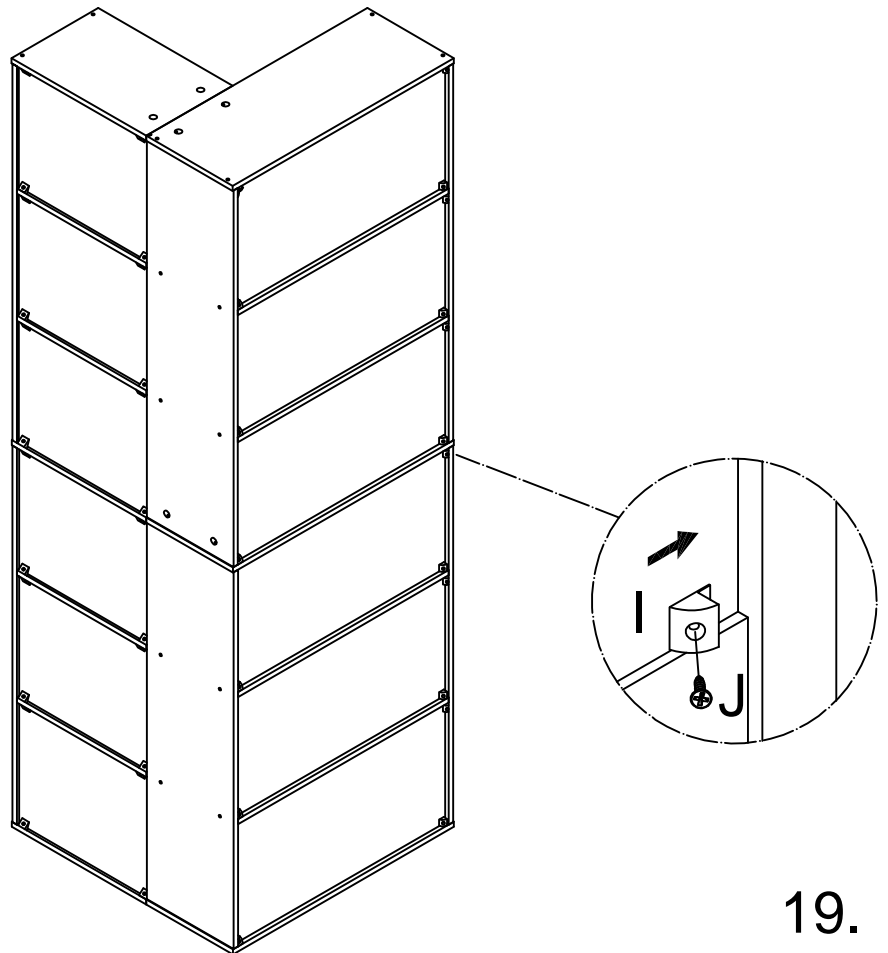
28




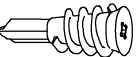
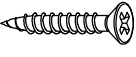
29

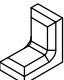




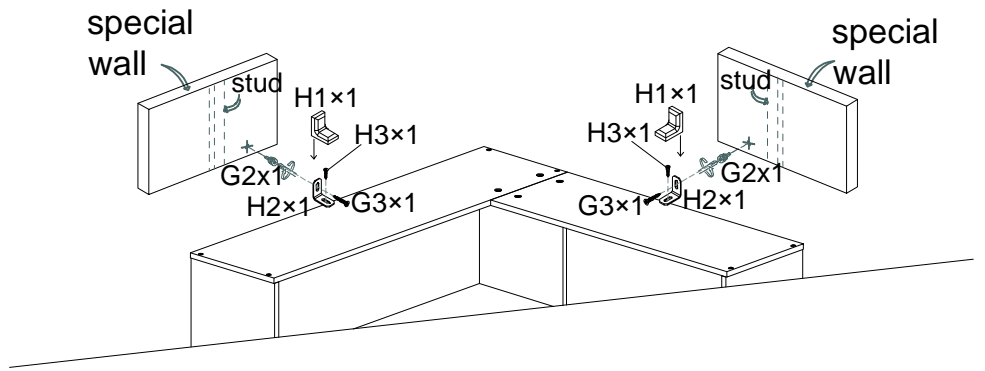
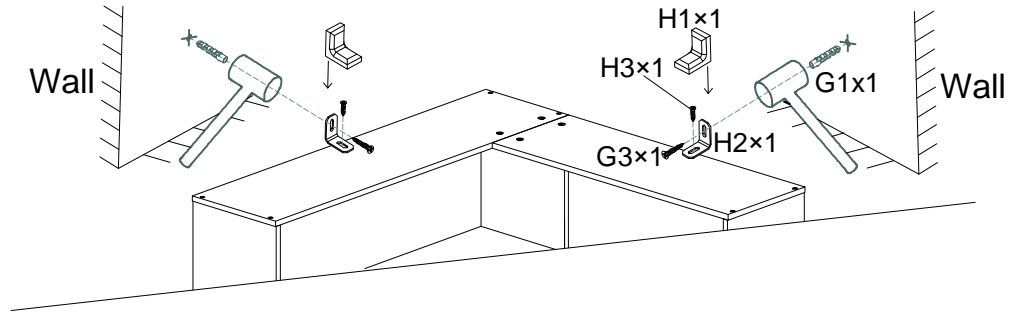
30



31

-  Ø6x25mm
G1x2PCS
-  Ø13x40mm
G2x2PCS
-  Ø8xM4x25mm
G3x2PCS

-  28x28x18mm
H1x2PCS
-  26x26x13.5mm
H2x2PCS
-  Ø7*M3.5*12mm
H3x2PCS



32

