

*ASSEMBLY INSTRUCTIONS
COASTER FINE FURNITURE*



Fine Furniture for every stage of life

ASSEMBLY INSTRUCTIONS

ASSEMBLY TIPS:

1. Remove hardware from box and sort by size.
2. Please check to see that all hardware and parts are present prior to start of assembly.
3. Please follow attached instructions in the same sequence as numbered to assure fast & easy assembly.



WARNING!

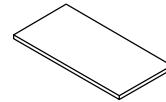
1. Don't attempt to repair or modify parts that are broken or defective. Please contact the store immediately.
2. This product is for home use only and not intended for commercial establishments.



ASSEMBLY TIME 30 MINUTES

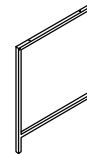
PARTS IDENTIFICATION

A TOP WOOD PANEL



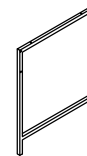
1PC

B LEFT SIDE



1PC

C RIGHT SIDE



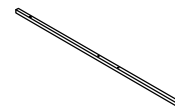
1PC

D FRONT CROSSBAR



1PC

E BACK CROSSBAR



1PC

F BOTTOM CROSSBAR










1PC

ASSEMBLY INSTRUCTIONS

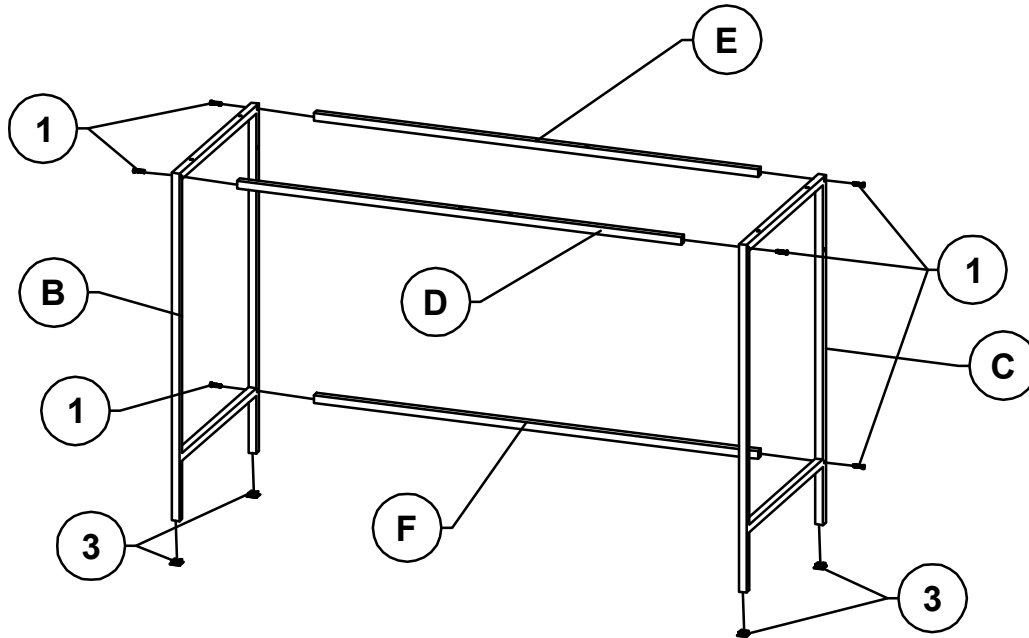
G	SMALL CROSSBAR		2PCS
H	SMALL WOOD PANEL		1PC

HARDWARE IDENTIFICATION

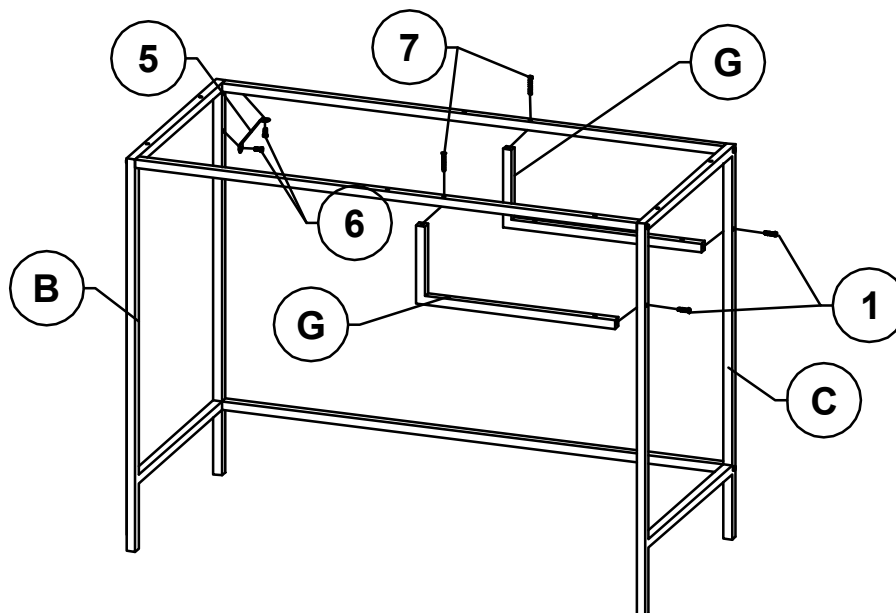
1	ALLEN BOLT (1/4" x 45mm SR)		8PCS
2	MEDIUM ALLEN BOLT (1/4" x 32mm SR)		10PCS
3	CAP (20 x 20mm BLK)		4PCS
4	ALLEN KEY (4mm)		1PC
5	METAL		1PC
6	SMALL ALLEN BOLT (1/4" x 12mm SR)		2PCS
7	LARGE ALLEN BOLT (1/4" x 45mm SR)		2PCS

ASSEMBLY INSTRUCTIONS

STEP 1 Do not tighten until each step is completed or instructed.

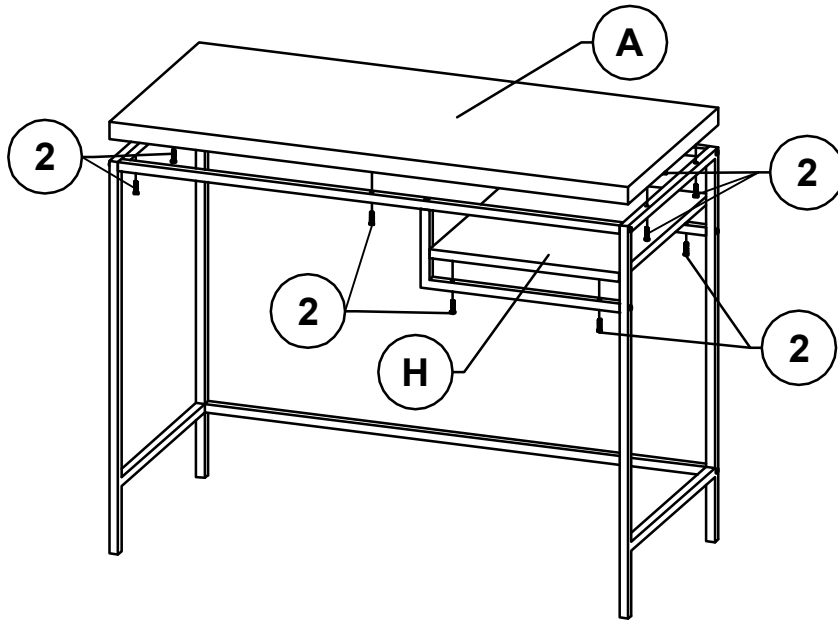


STEP 2

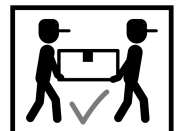
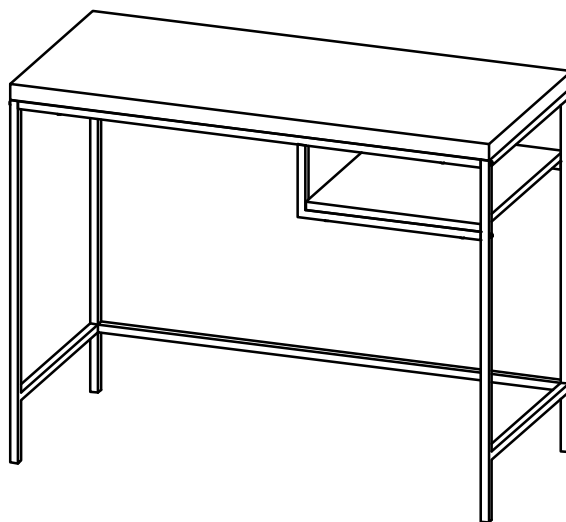


ASSEMBLY INSTRUCTIONS

STEP 3

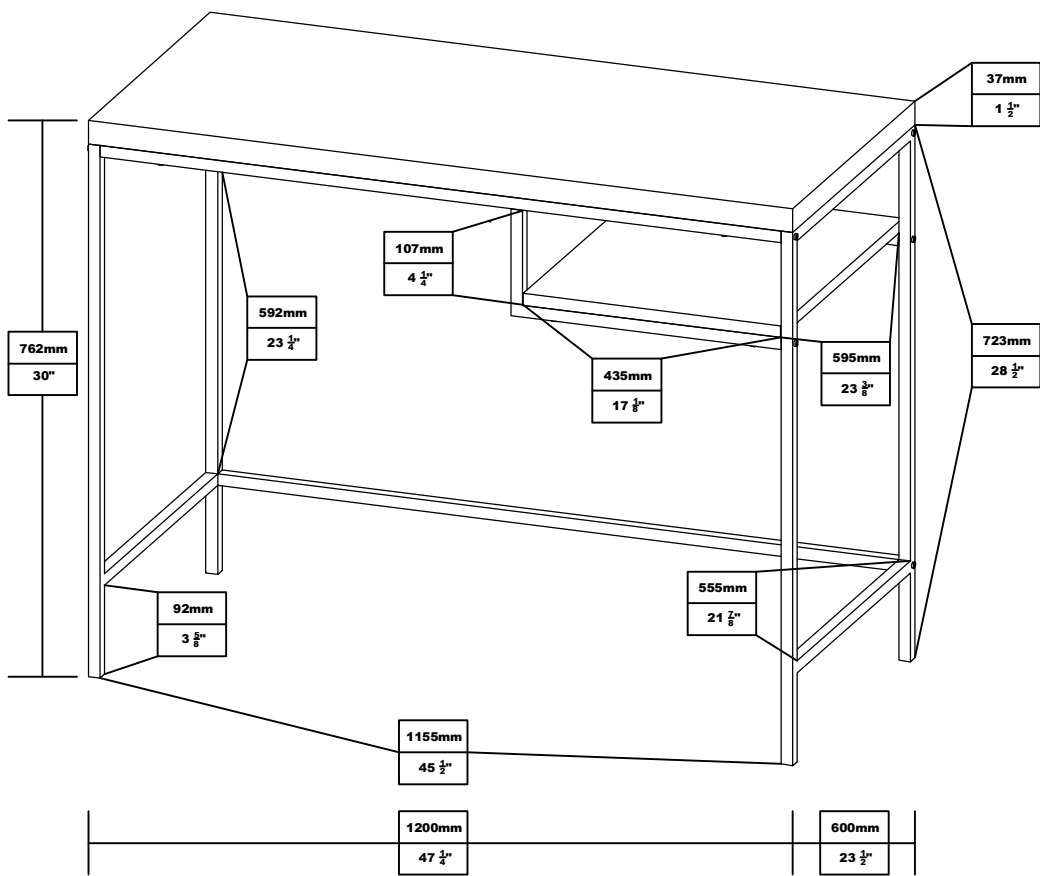


STEP 4



ASSEMBLY INSTRUCTIONS

Product Size : 1200 X 600 X 762 H (MM)
 Product Size : 47 $\frac{1}{4}$ " X 23 $\frac{1}{2}$ " X 30"



Note : Dimension tolerance $\pm 5\%$