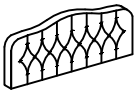





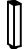
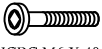
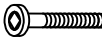

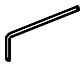
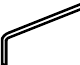

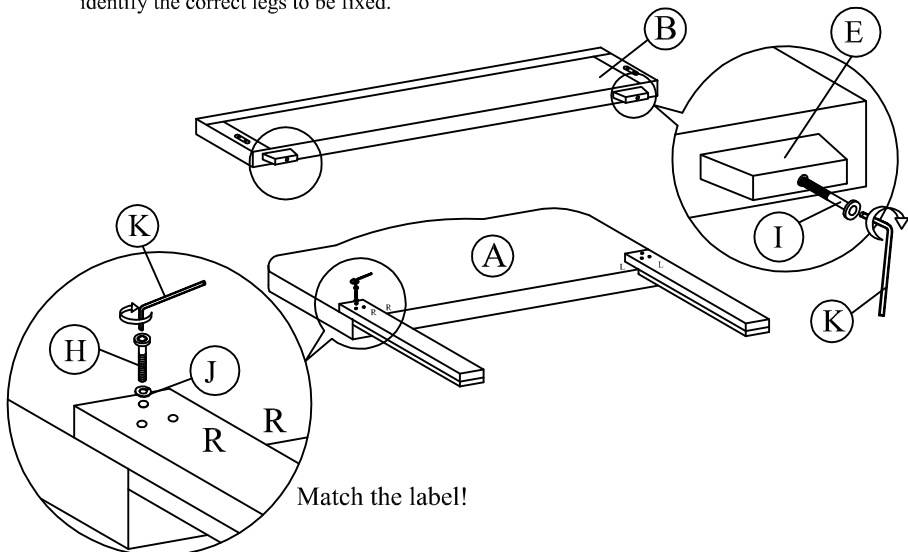


(3' Twin / 4'6" Full / 5' Queen)

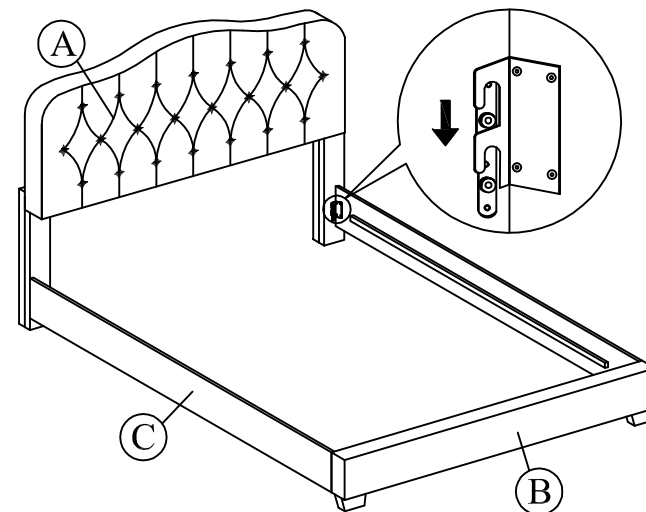
Assembly Instruction

A	 Headboard	1 pc
B	 Footboard	1 pc
C	 Siderail	2 pcs
D	 D1 D2 Headboard Legs	2 pcs
E	 Footboard Leg	2 pcs
F	 Slat	3 pcs
G	 Support Leg	3 pcs
H	 JCBC M6 X 40	9 pcs
I	 JCBC M6 X 50	2 pcs
J	 Spring Washer	6 pcs
K	 M4 x 100mm	1 pc
L	 M5 x 70mm	1 pc
M	 CSK M4 x 32mm	6 pcs

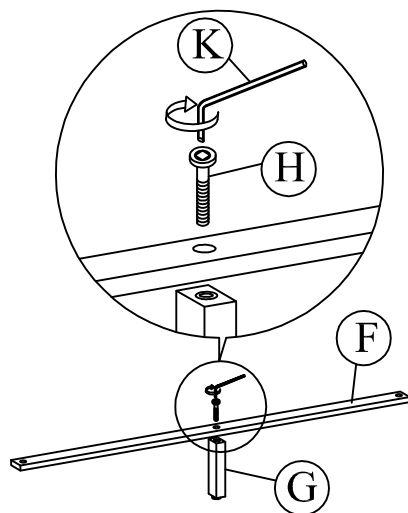
Step 1: Fix the headboard and footboard with legs as shown. Please follow the label to identify the correct legs to be fixed.



Step 2: Attach Side Rail (C) to Headboard (A) and Footboard (B) by pushing the bracket down to fit it.



Step 3: Attach the support legs (F) to the slats (G).



Step 4: Tighten the 4 Corner with Allen Key (L). Install the bed slats to side rail. Tighten the slats with CSK screw. The distance of the slats should be sufficient to obtain desirable bed stability.

