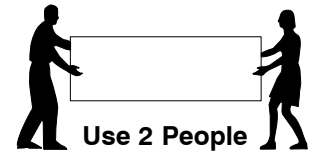
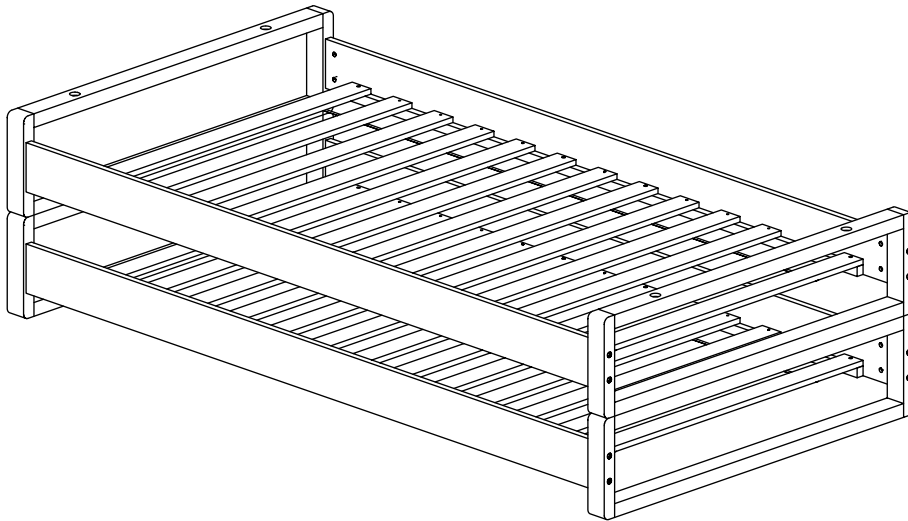


Twin Bed

Assembly Instructions

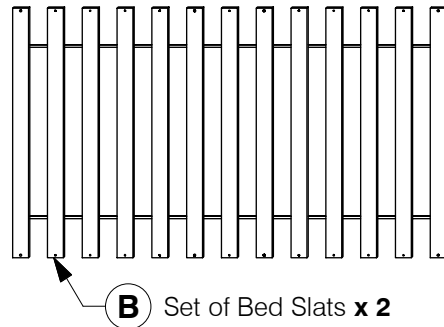
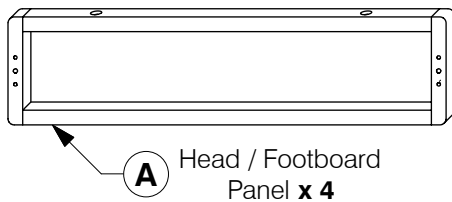
1 Assembled View



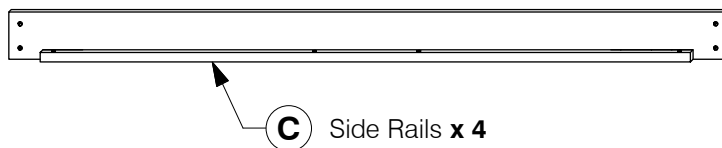
Note: Do not assemble using power tools. This can cause the bolts to be overtightened

2 Parts List

Parts in Box A:



Parts in Box B:



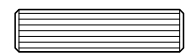
3 Hardware List



1 M6 x 90mm JCB
x 16



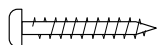
2 M6 x 40mm JCB
x 16



3 Wood Dowel
(10 x 40mm) x 8



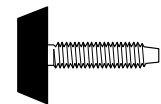
4 Barrel Nut
x 16



5 Wood Screw
(M4 x 32mm) x 36



6 M4 Allen Key
x 1



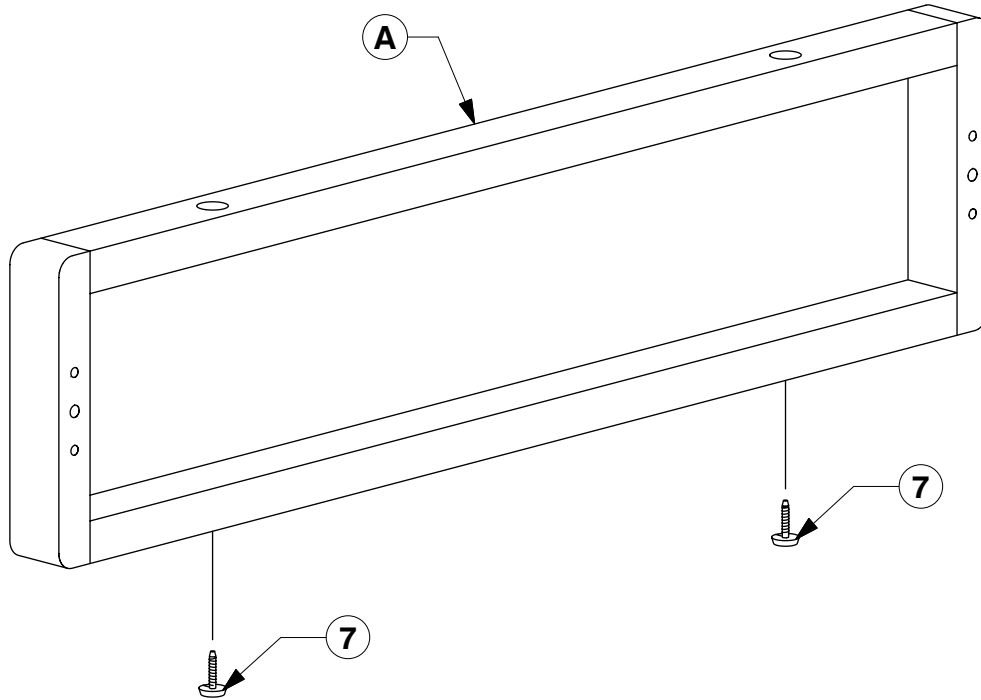
7 Adjustable
Foot x 8

Twin Bed

Assembly Instructions

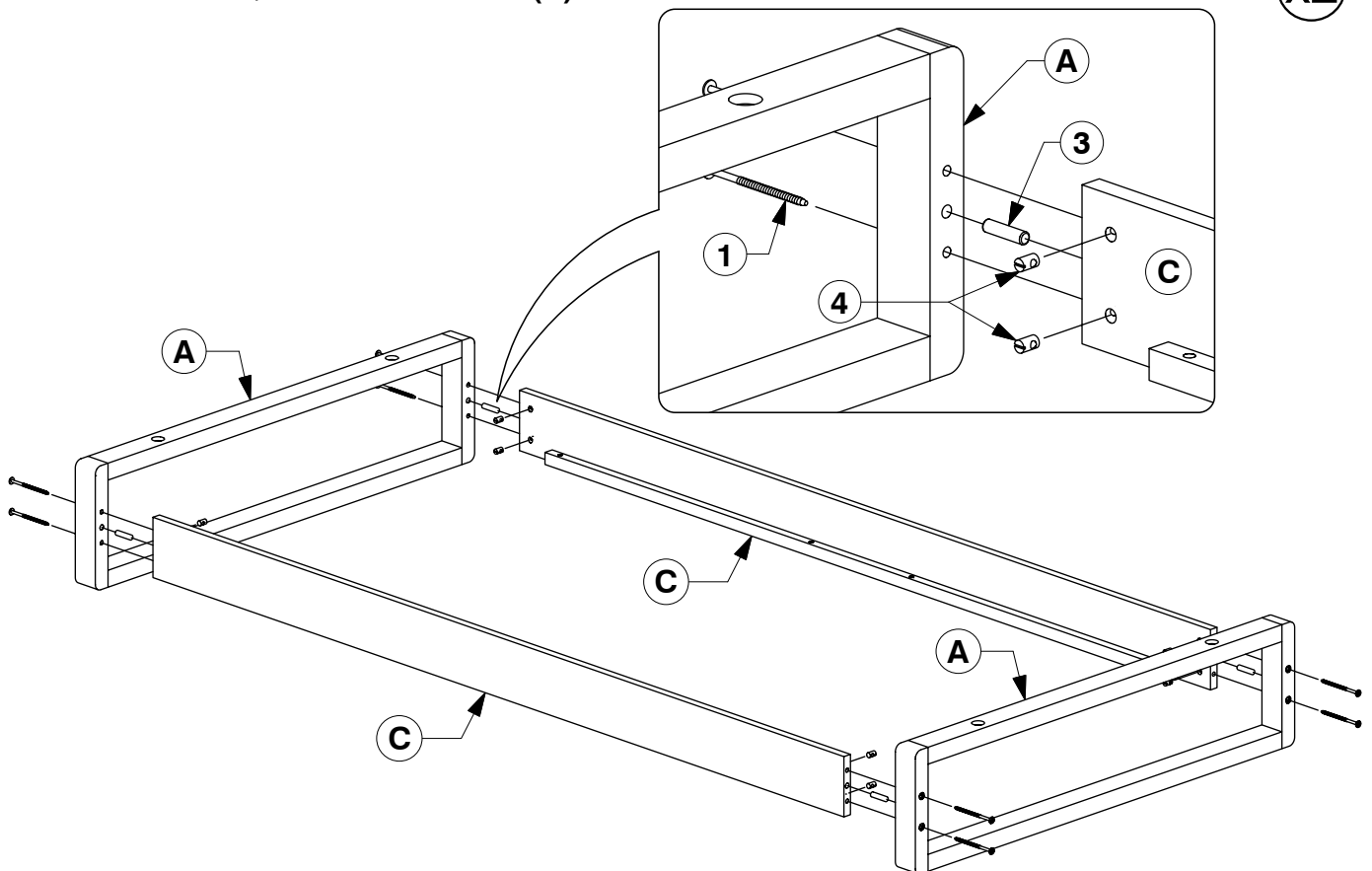
- 4** Fix the Adjustable foot to the bottom of the Head / Footboard Panel (A).

x4



- 5** Assemble the Side Rail (C) to the Headboard / Footboard Panel (A).

x2

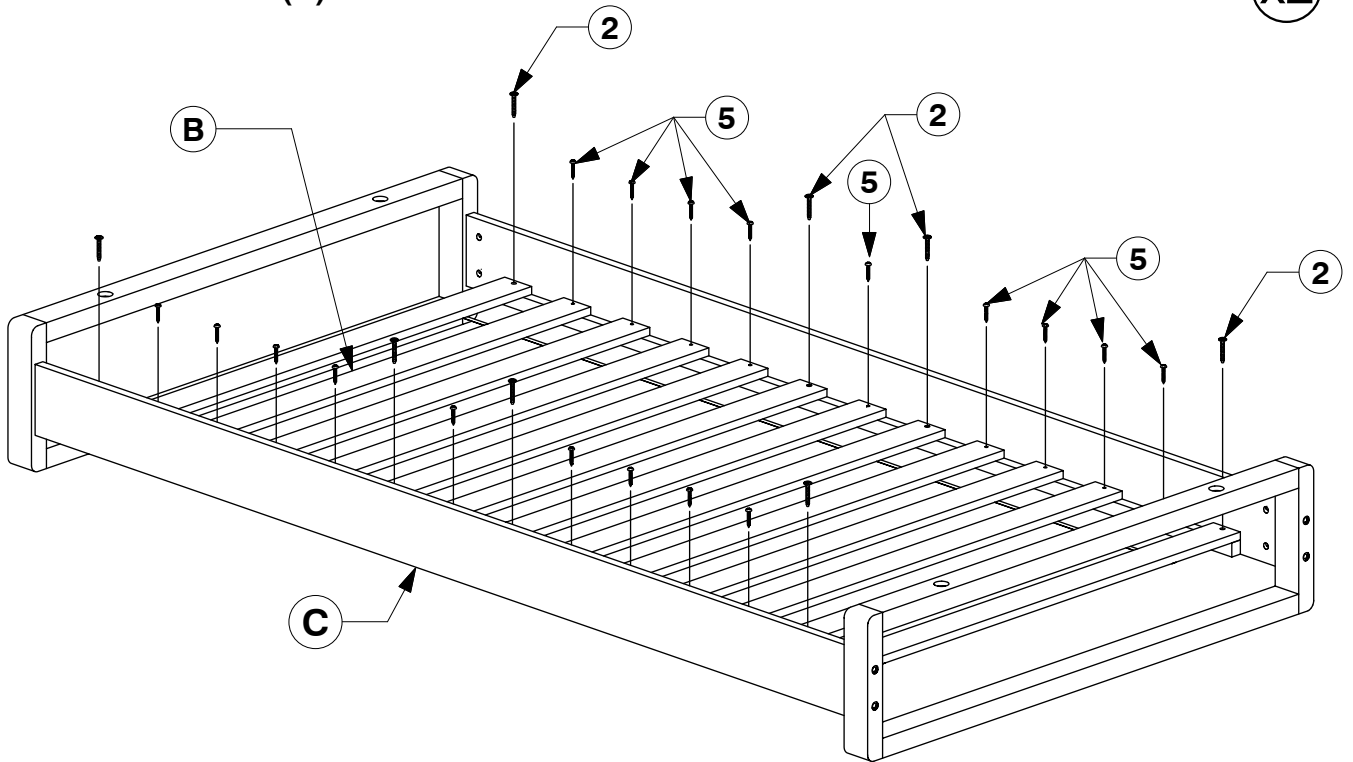


Twin Bed

Assembly Instructions

- 6** Bolt & screw the remaining Bed Slats (B) to the Side Rail (C).

x2



- 7** Assembled the Bed

