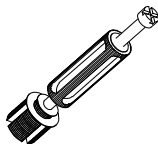
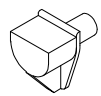
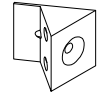


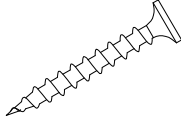
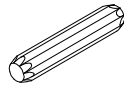

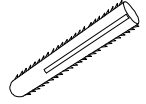

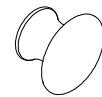
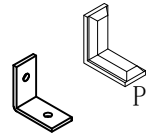
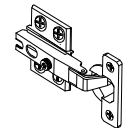

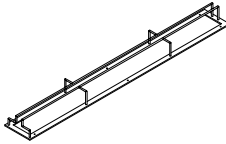
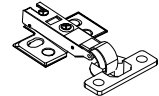
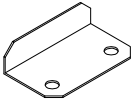
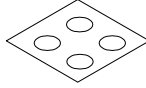
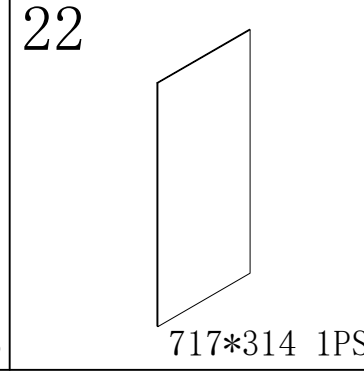
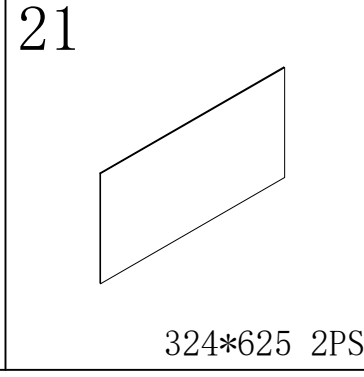
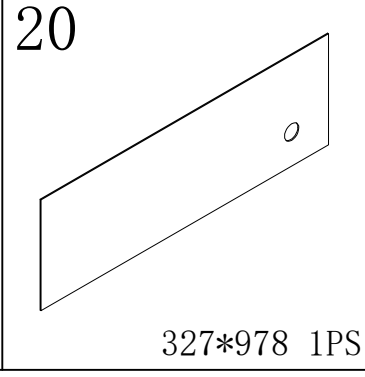
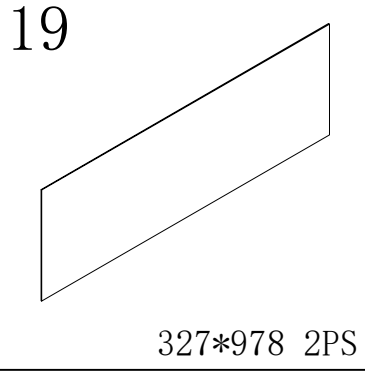
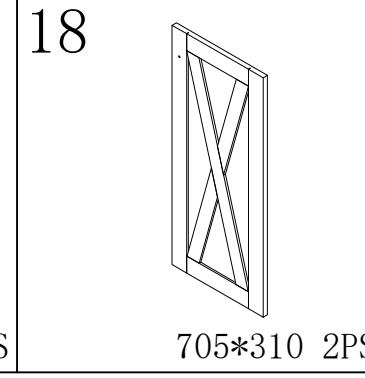
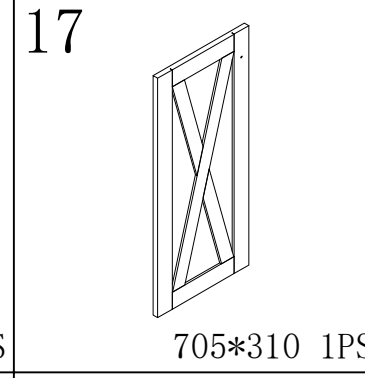
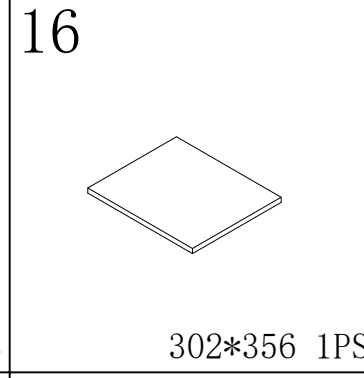
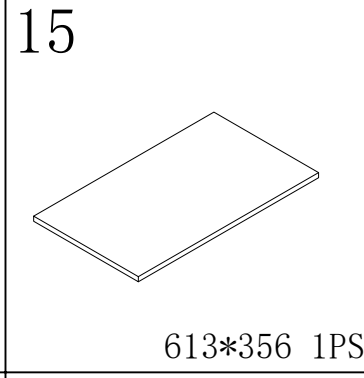
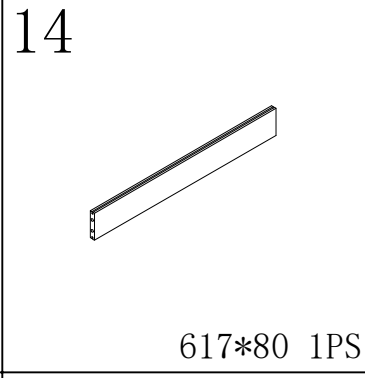
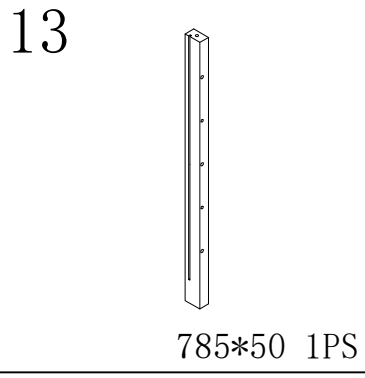
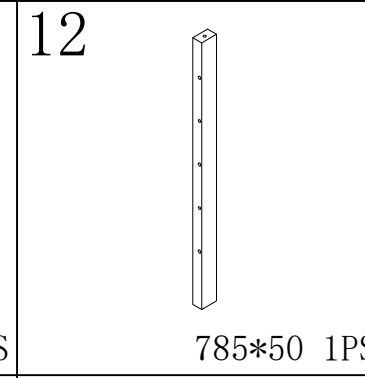
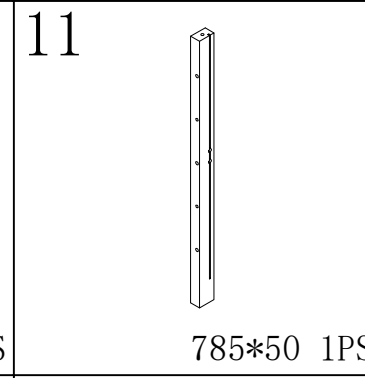
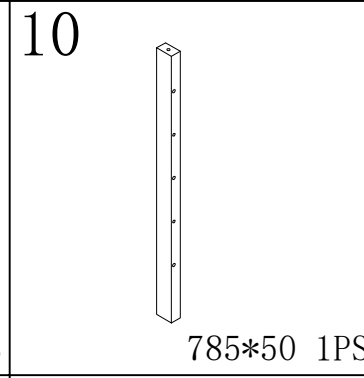
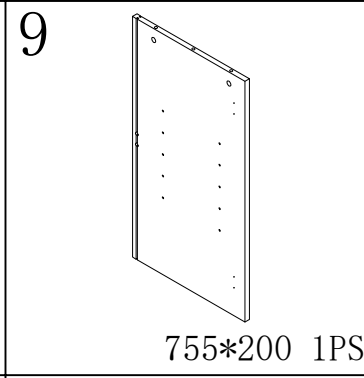
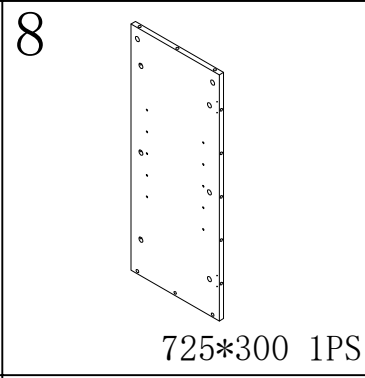
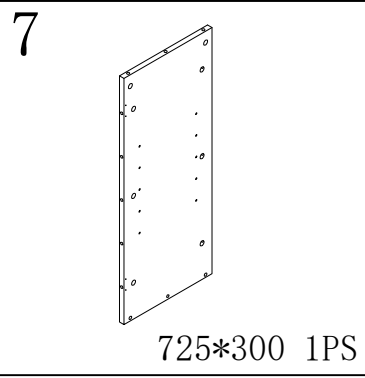
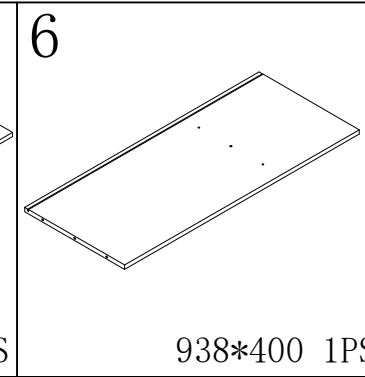
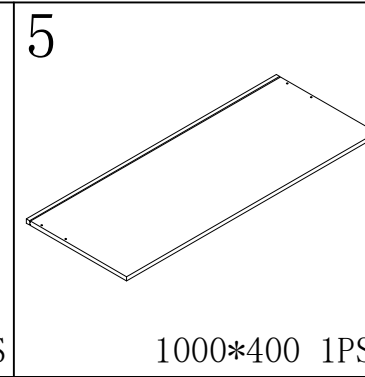
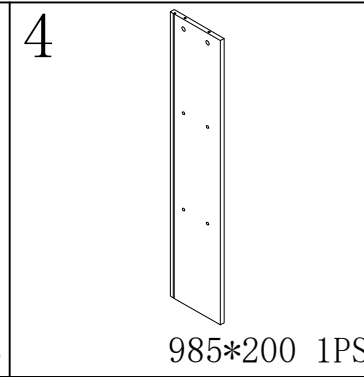
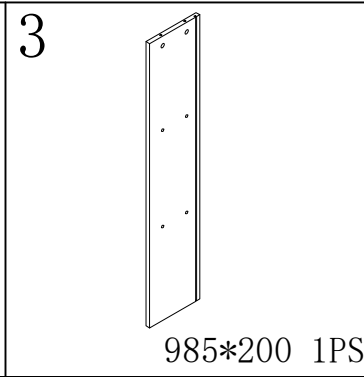
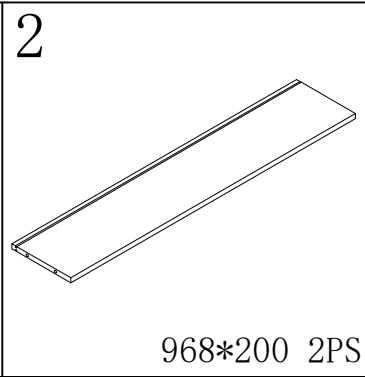
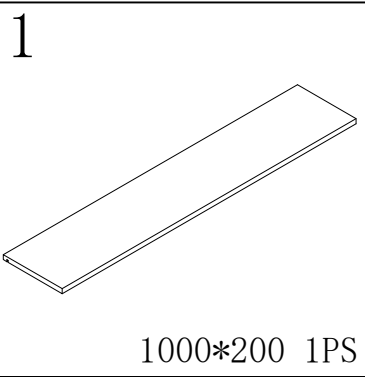


<p>A</p>  <p>38PCS</p>	<p>G</p>  <p>8PCS</p>	<p>M</p>  <p>36PCS</p>
<p>B</p>  <p>38PCS</p>	<p>H</p>  <p>36PCS</p>	<p>N</p>  <p>2PCS</p>
<p>C</p>  <p>18PCS</p>	<p>I</p>  <p>46PCS</p>	<p>O</p>  <p>2PCS</p>
<p>D</p>  <p>6PCS</p>	<p>J</p>  <p>3PCS</p>	<p>P</p>  <p>2PCS</p>
<p>E</p>  <p>2PCS</p>	<p>K</p>  <p>3PCS</p>	<p>Q</p>  <p>1PCS</p>
<p>F</p>  <p>4PCS</p>	<p>L</p>  <p>1PCS</p>	<p>R</p>  <p>4PCS</p>

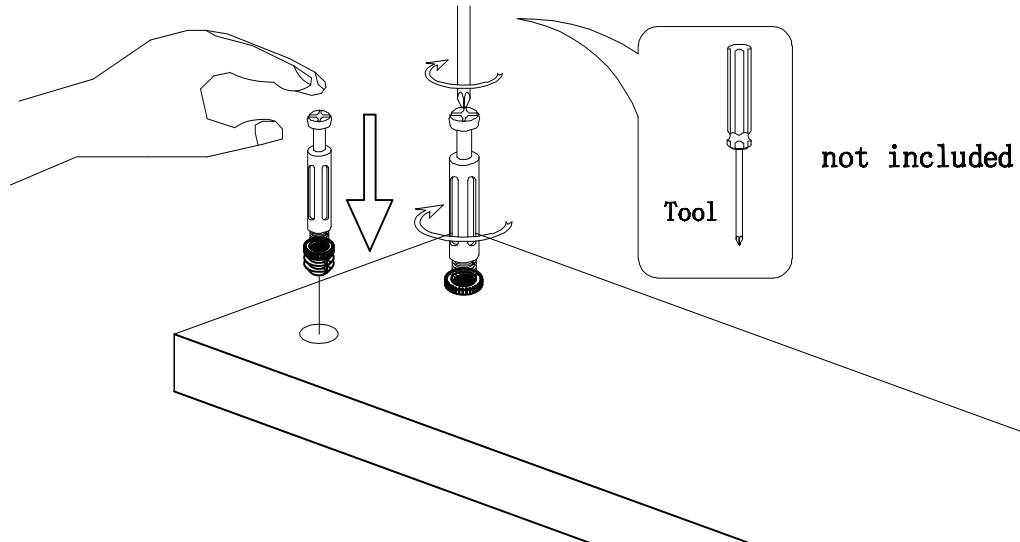




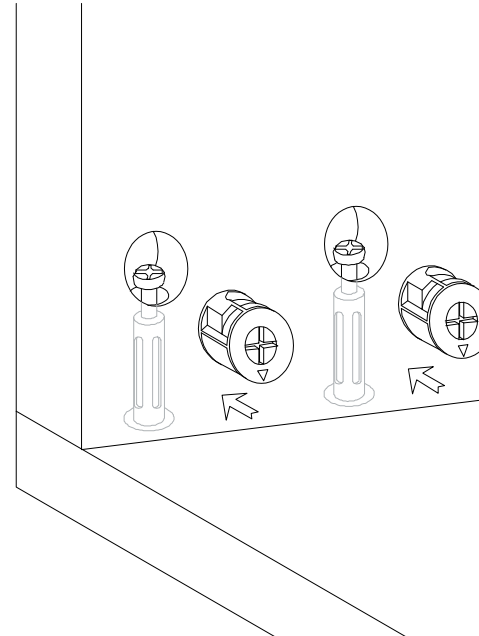
Hardware installation demonstration

NOTE: Please make sure "A" hardware tightened and can't be pulled out!

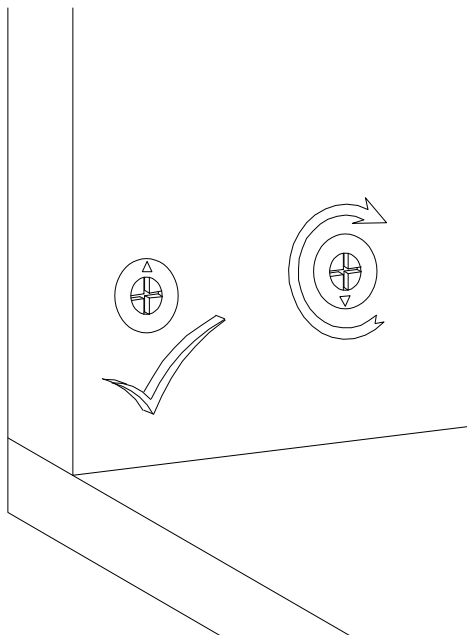
I



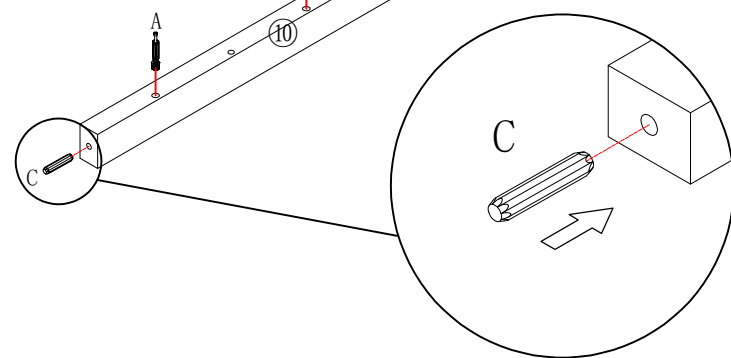
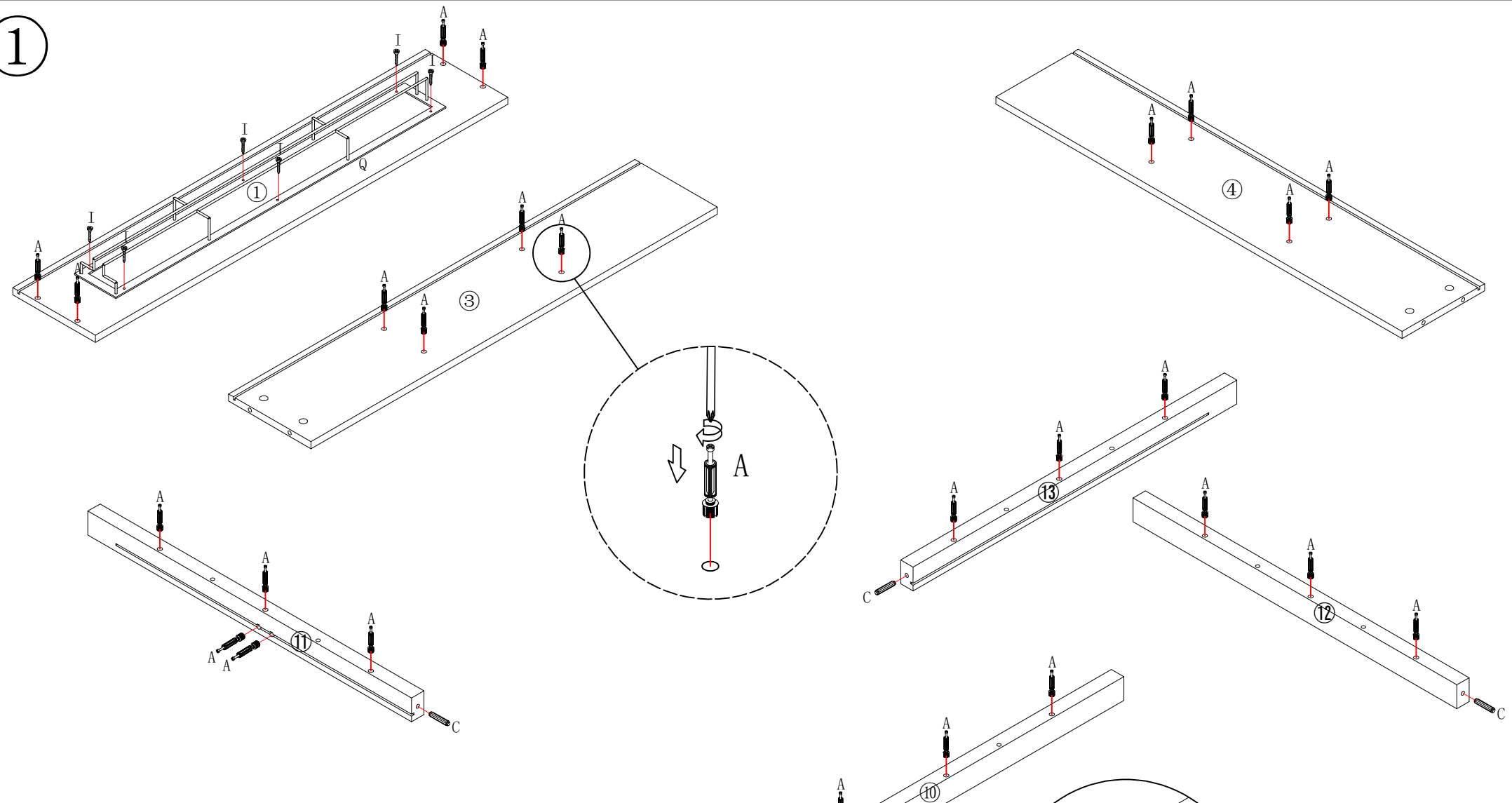
II


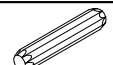




III



1

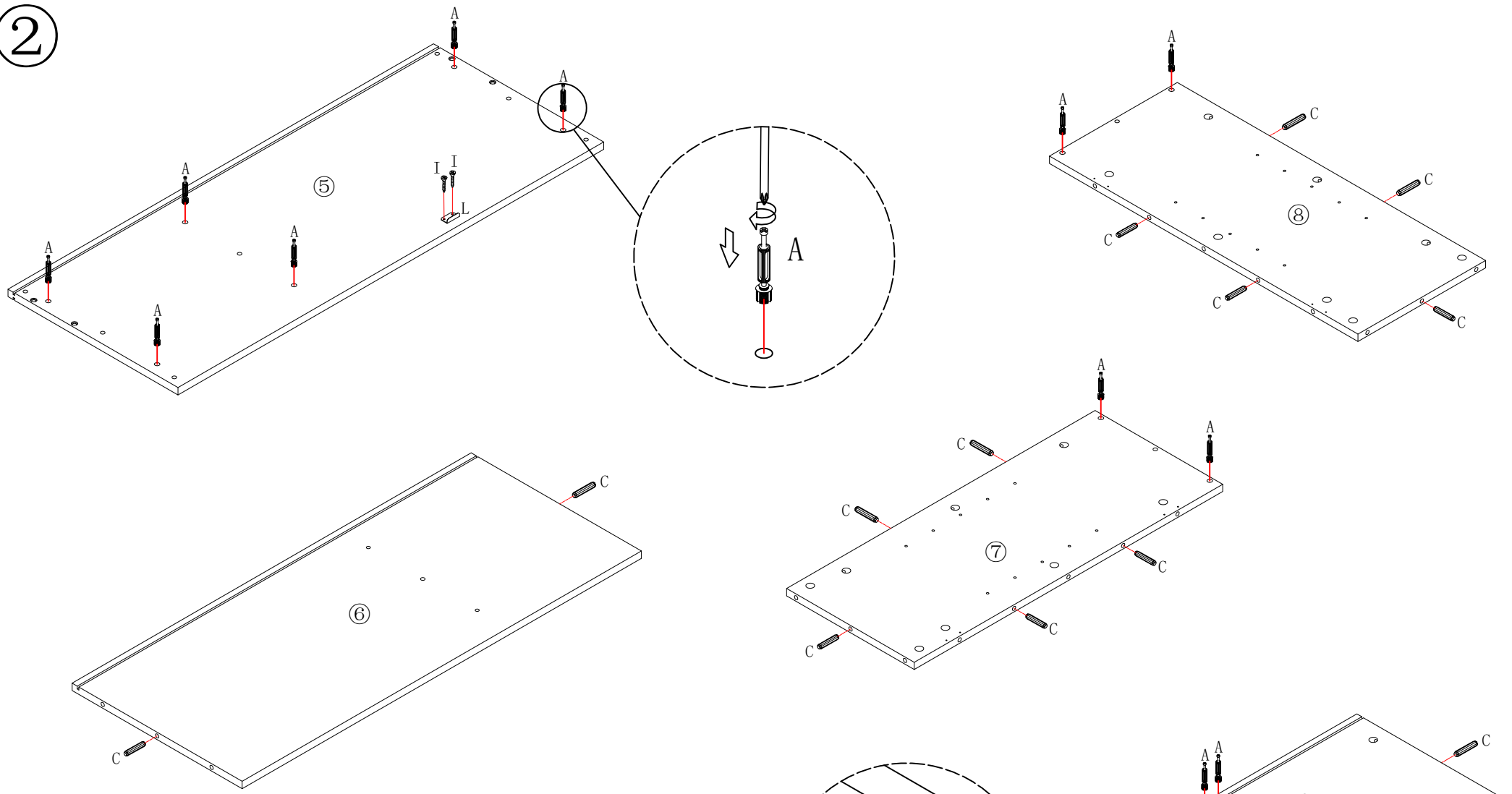



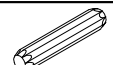

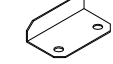
	A*26
	C*4
	I*6
	Q*1

put A on board ①③④⑩⑪⑫⑬

put C on board ⑩⑪⑫⑬

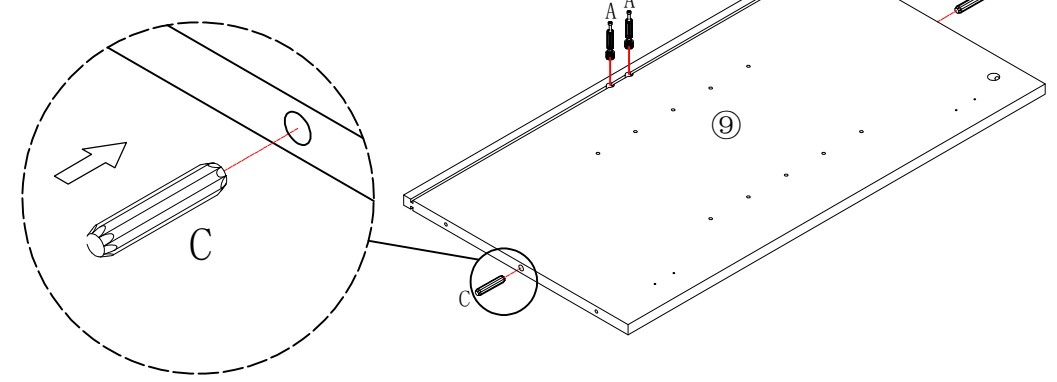
2



	A*12
	C*14
	I*2
	L*1

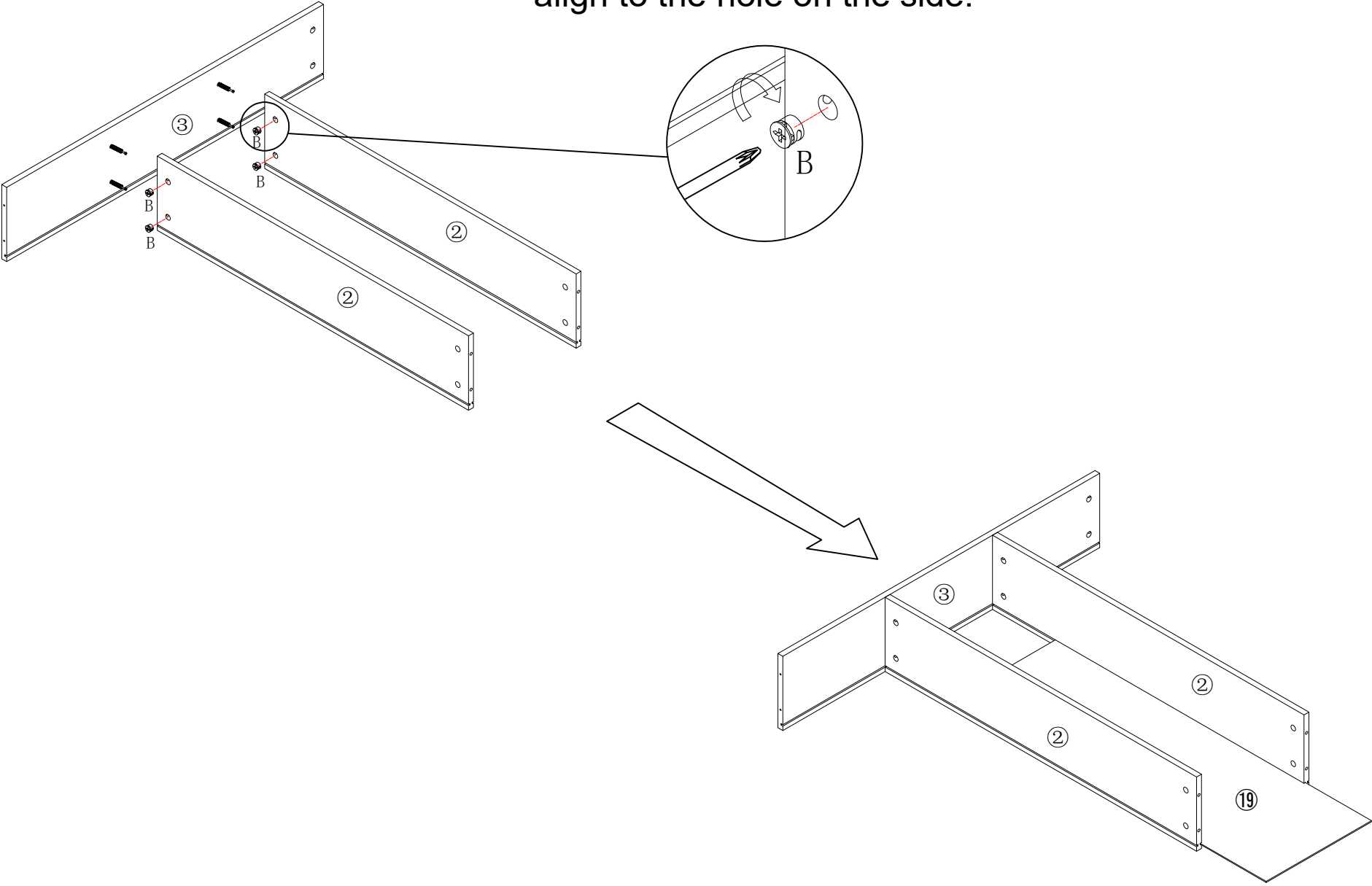
put A on board ⑤⑥⑦⑧⑨

put C on board ⑥⑦⑧⑨



3

Make sure the arrow on the screw align to the hole on the side.

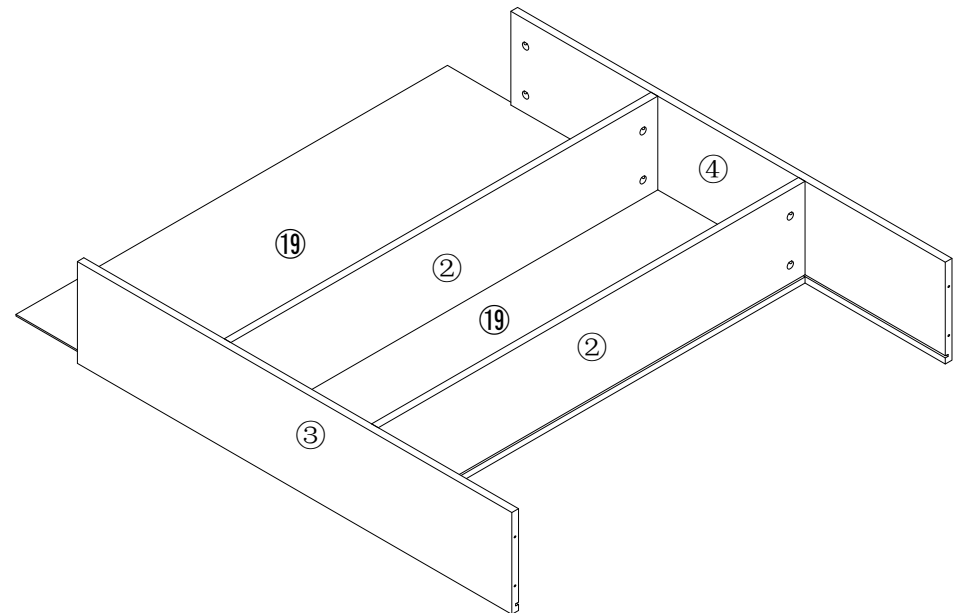
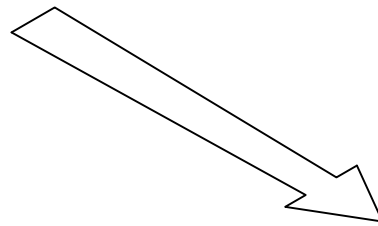
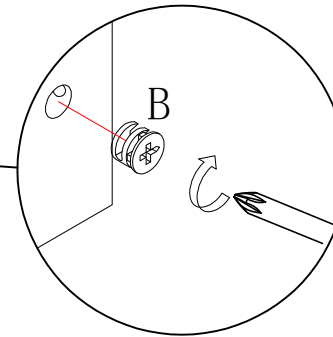
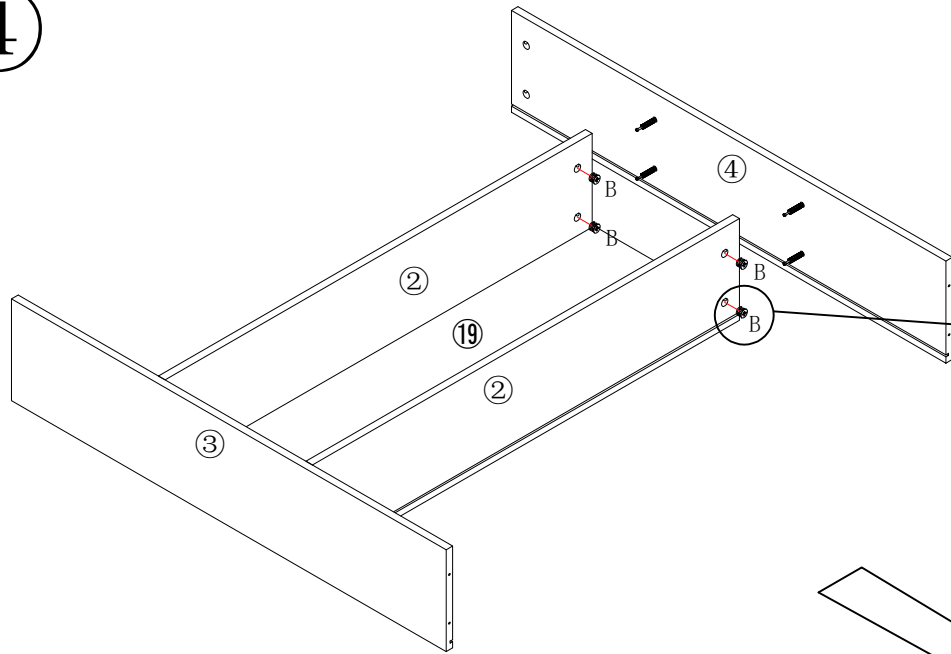


B*4

put B on board ②

4

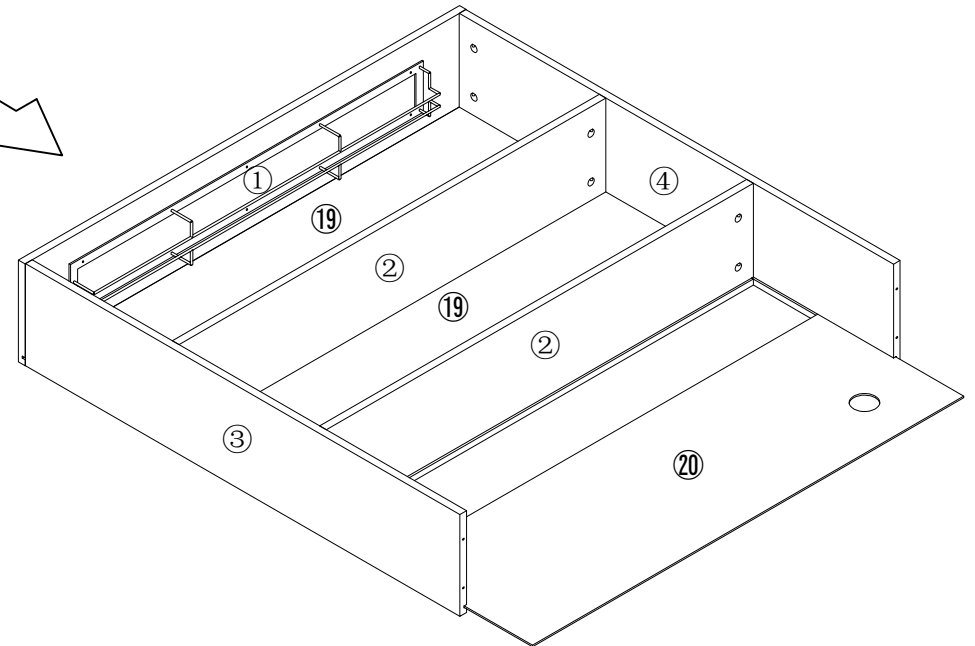
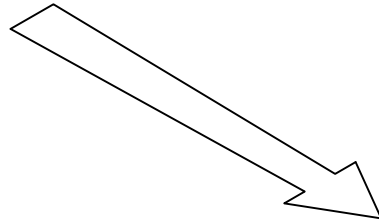
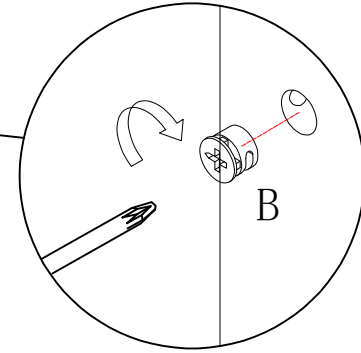
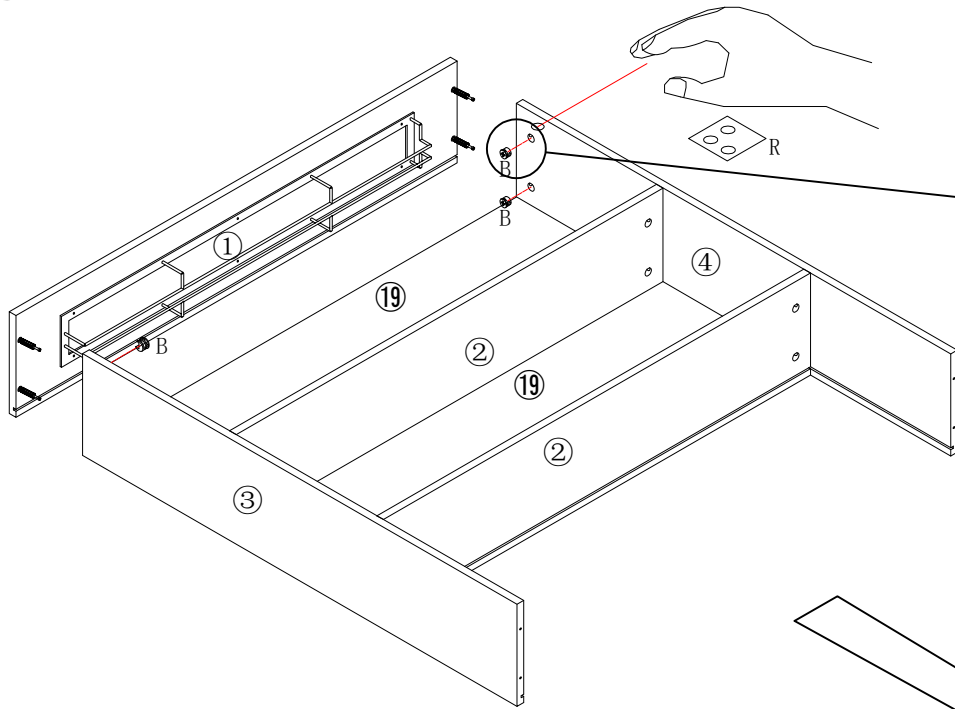
Make sure the arrow on the screw align to the hole on the side.



B*4 put B on board ②

5

Make sure the arrow on the screw align to the hole on the side.



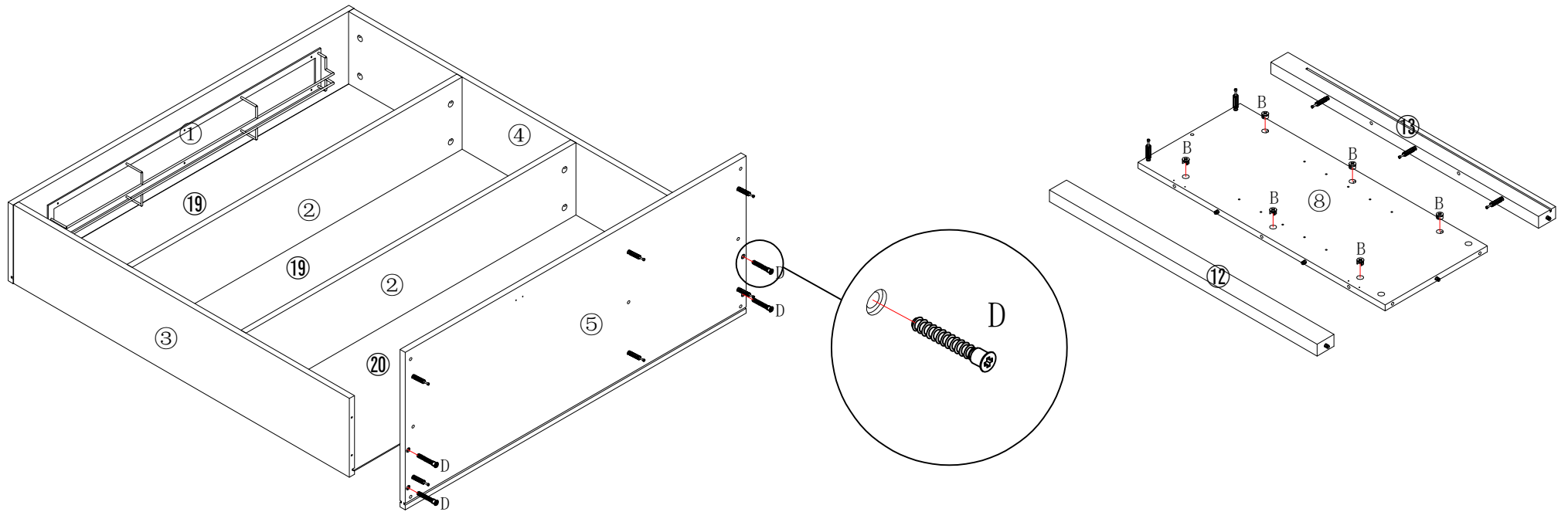
B*4

put B on board ③④

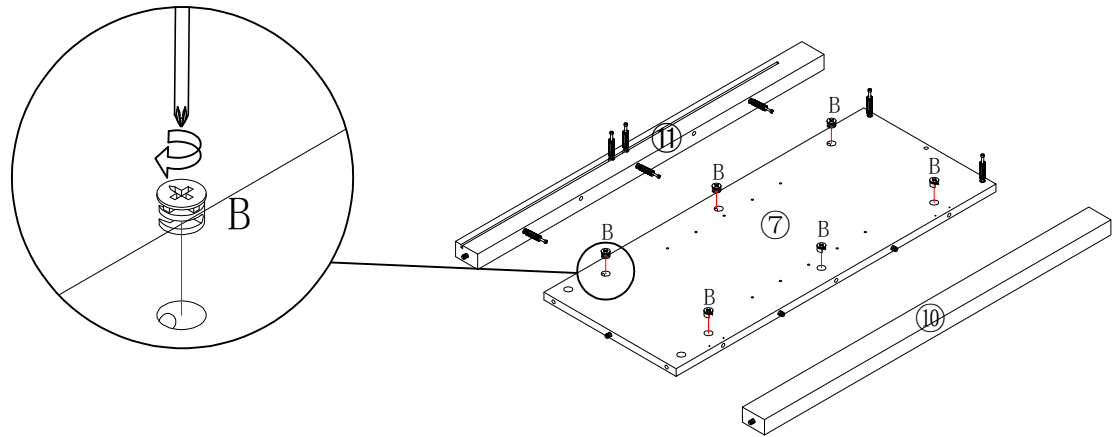


R*4

6



Make sure the arrow on the screw align to the hole on the side.

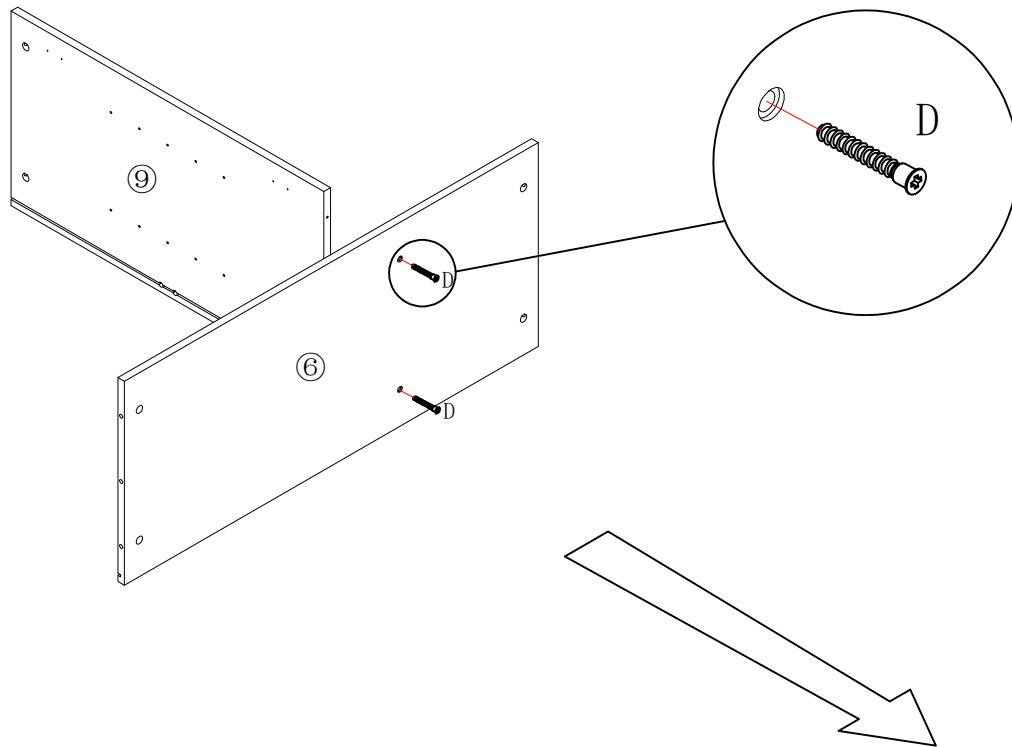


B*12 put B on board 7 8

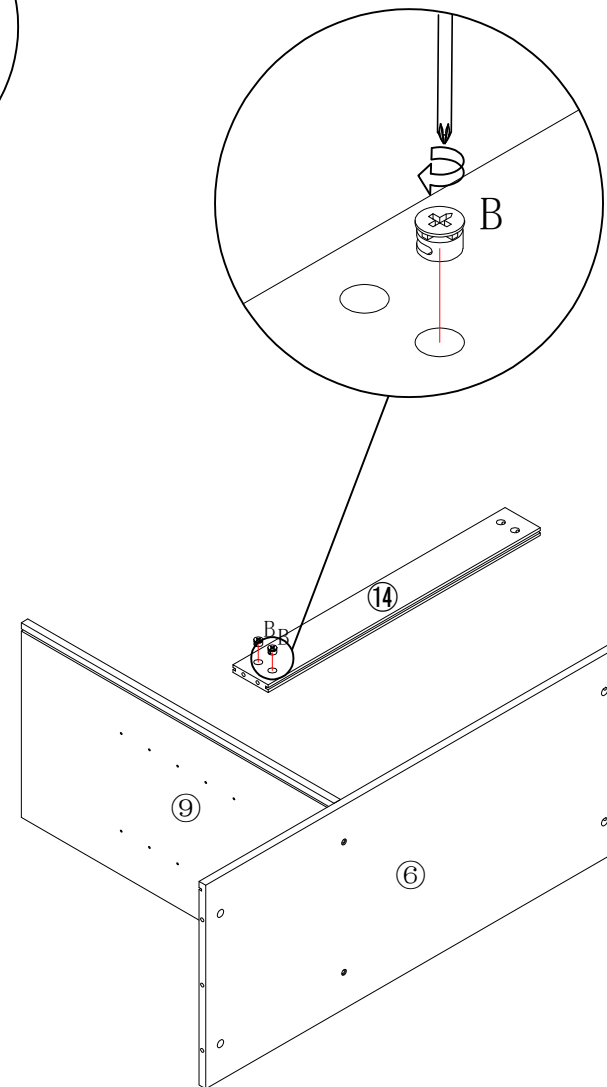
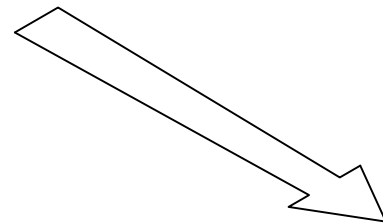


D*4

7



Make sure the arrow on the screw align to the hole on the side.



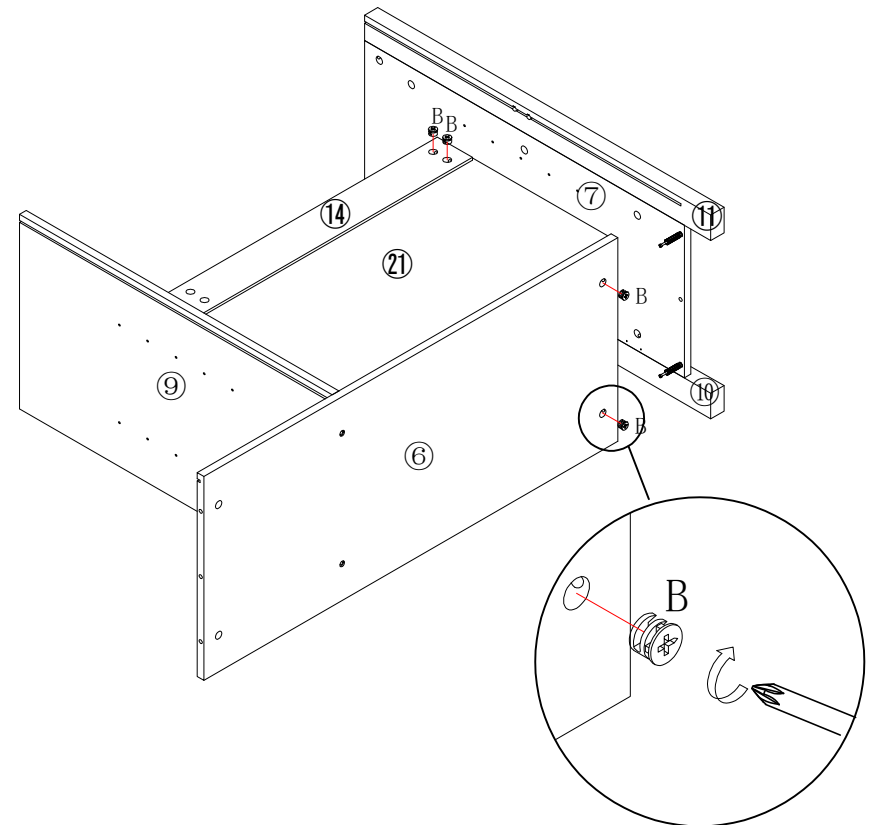
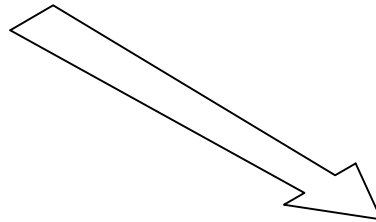
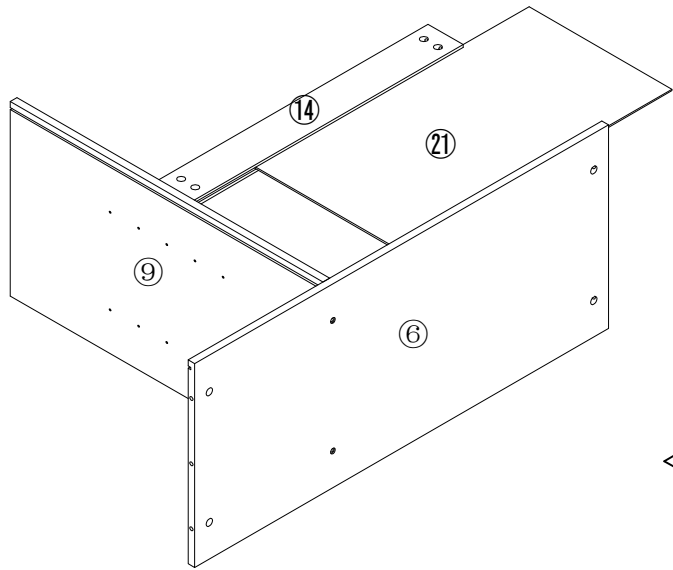
B*2

put B on board 14



D*2

8



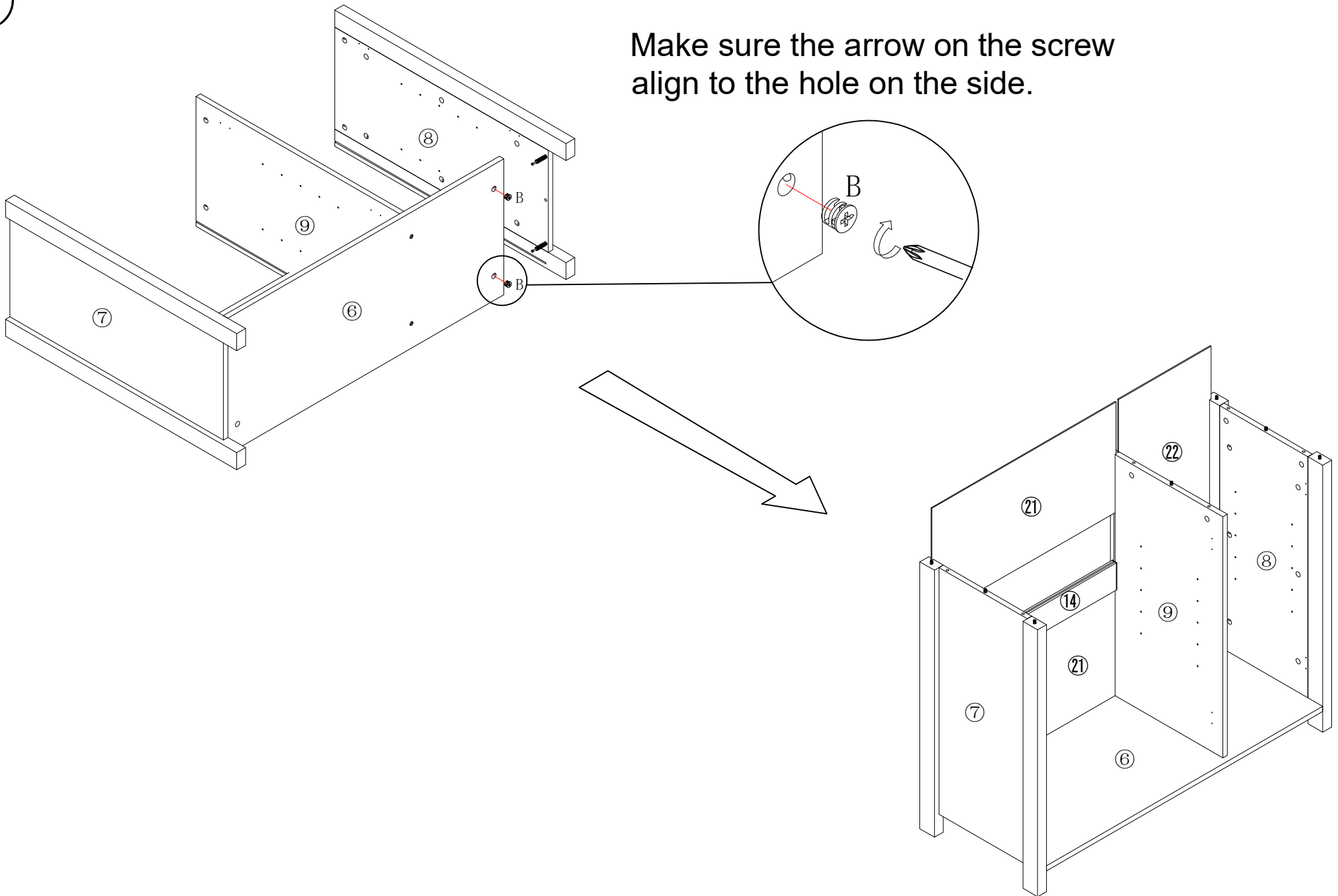
Make sure the arrow on the screw align to the hole on the side.



B*4 put B on board ⑥⑭

9

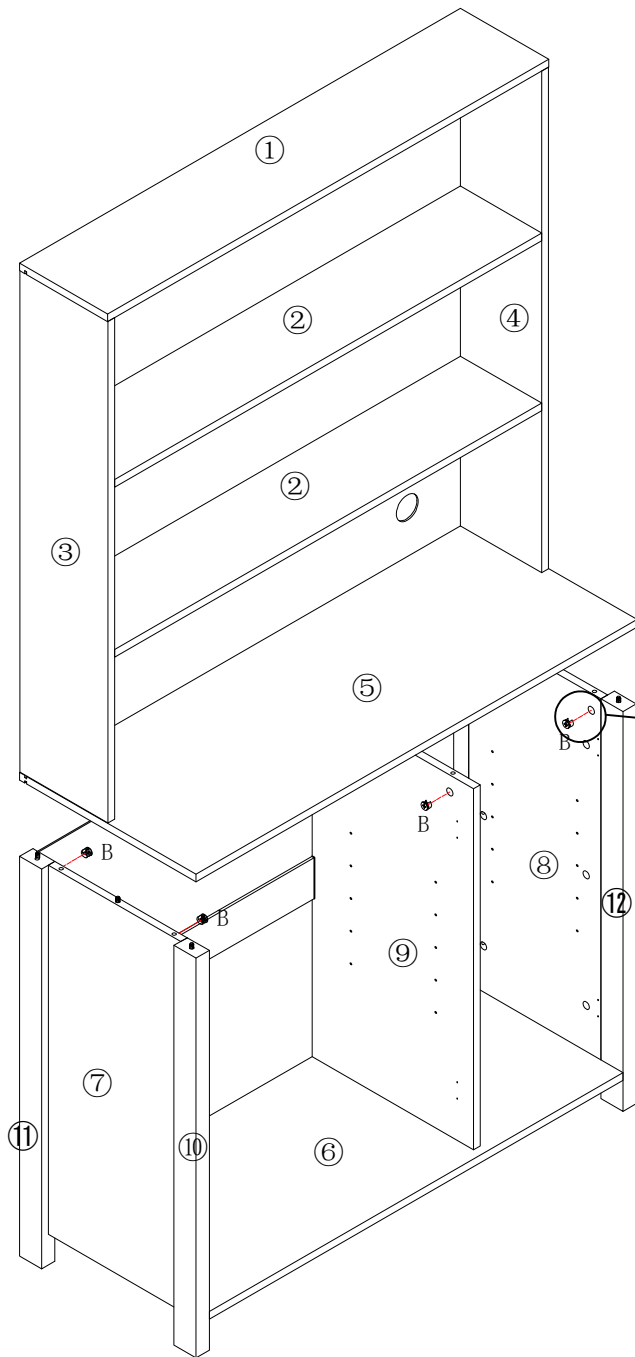
Make sure the arrow on the screw align to the hole on the side.



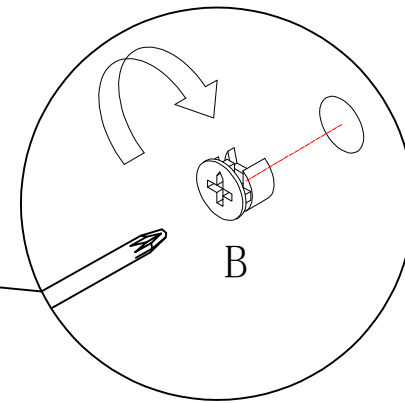
B*2

put B on board ⑥

10



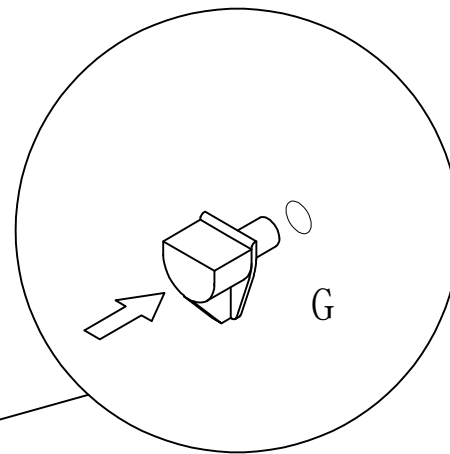
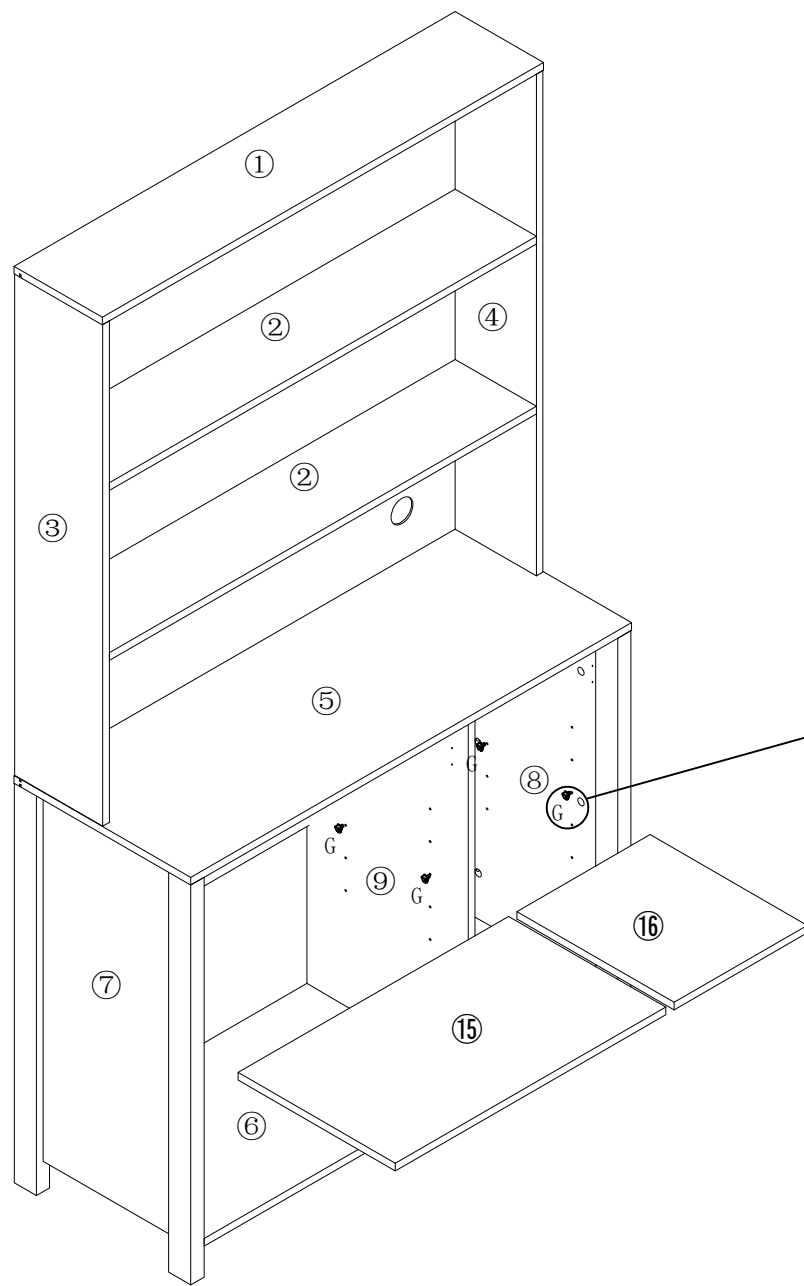
Make sure the arrow on the screw align to the hole on the side.



B*6

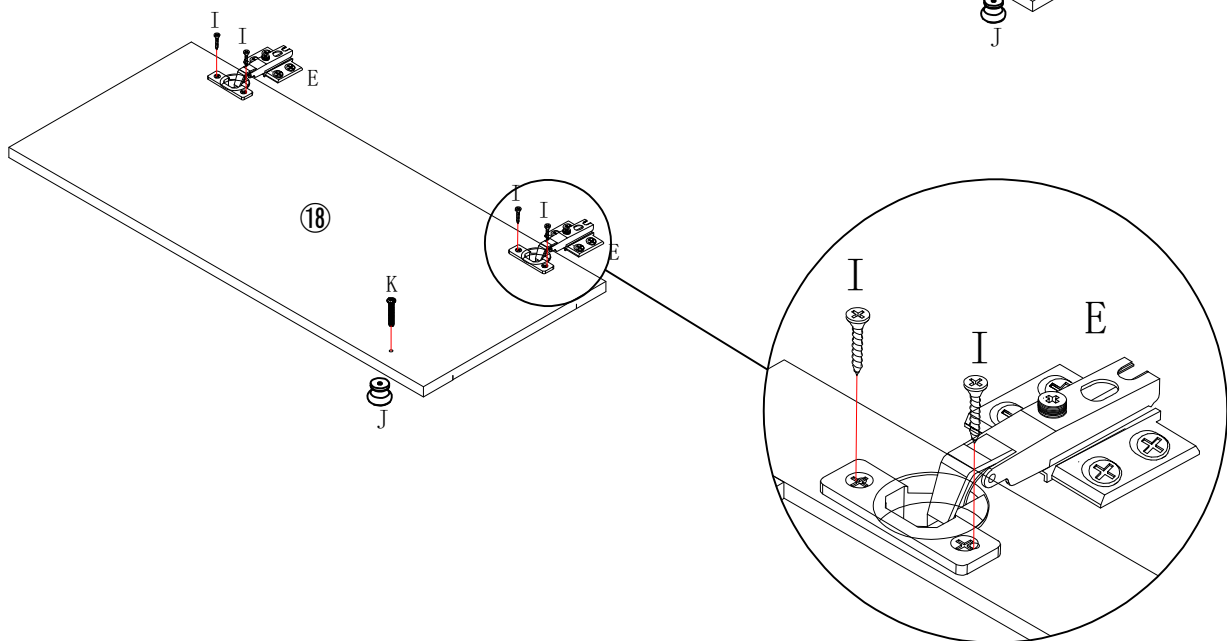
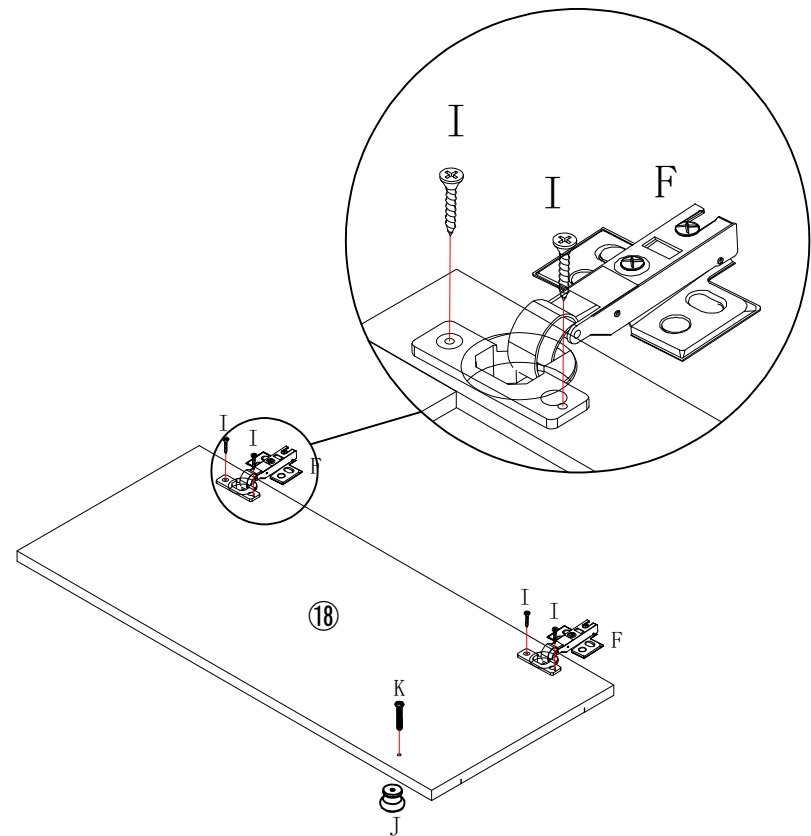
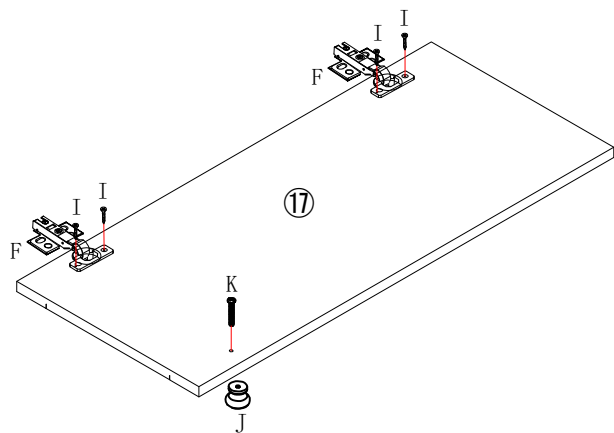
put B on board ⑦⑧⑨

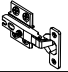




11



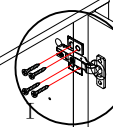
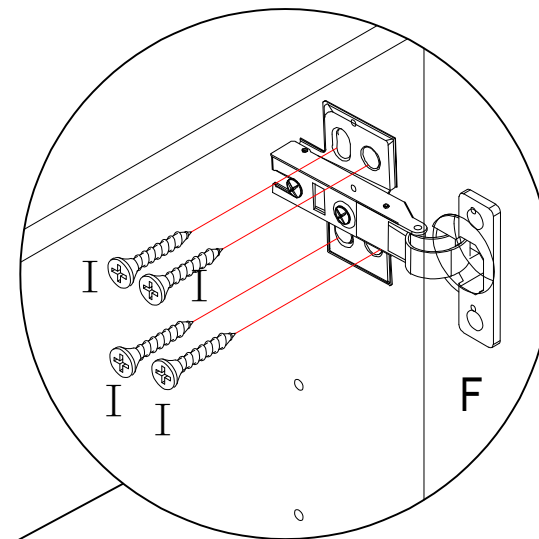
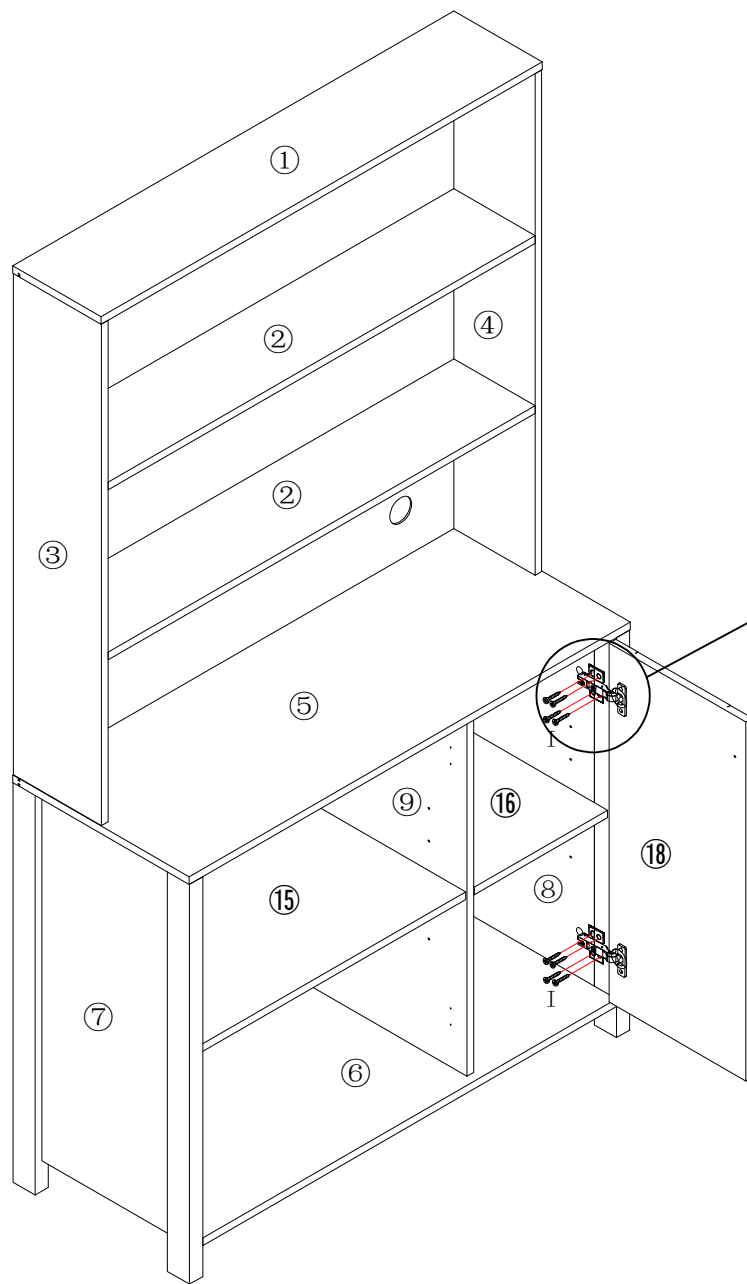
G*8

12



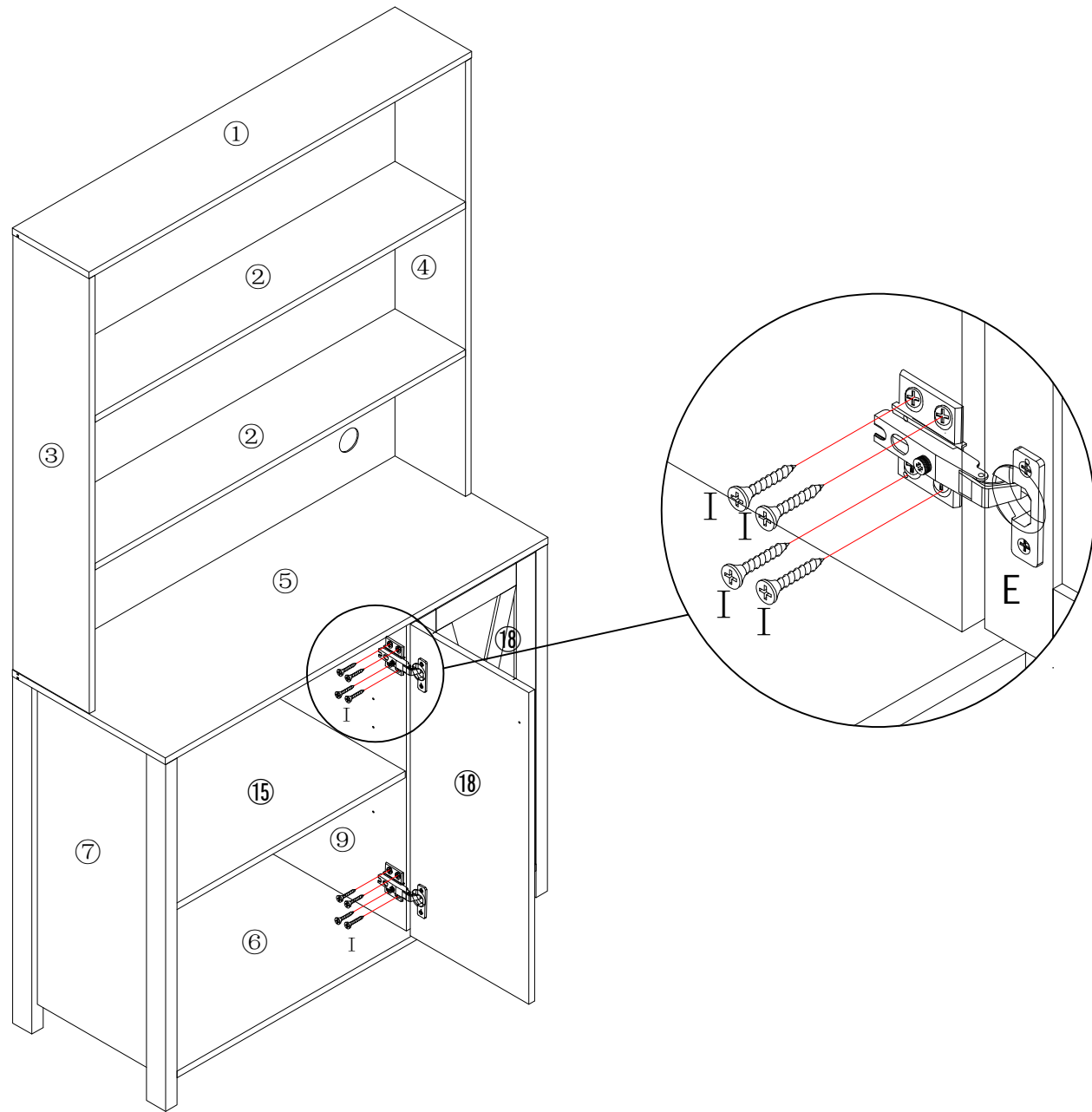
	E*2
	F*4
	I*12
	J*3
	K*3

13



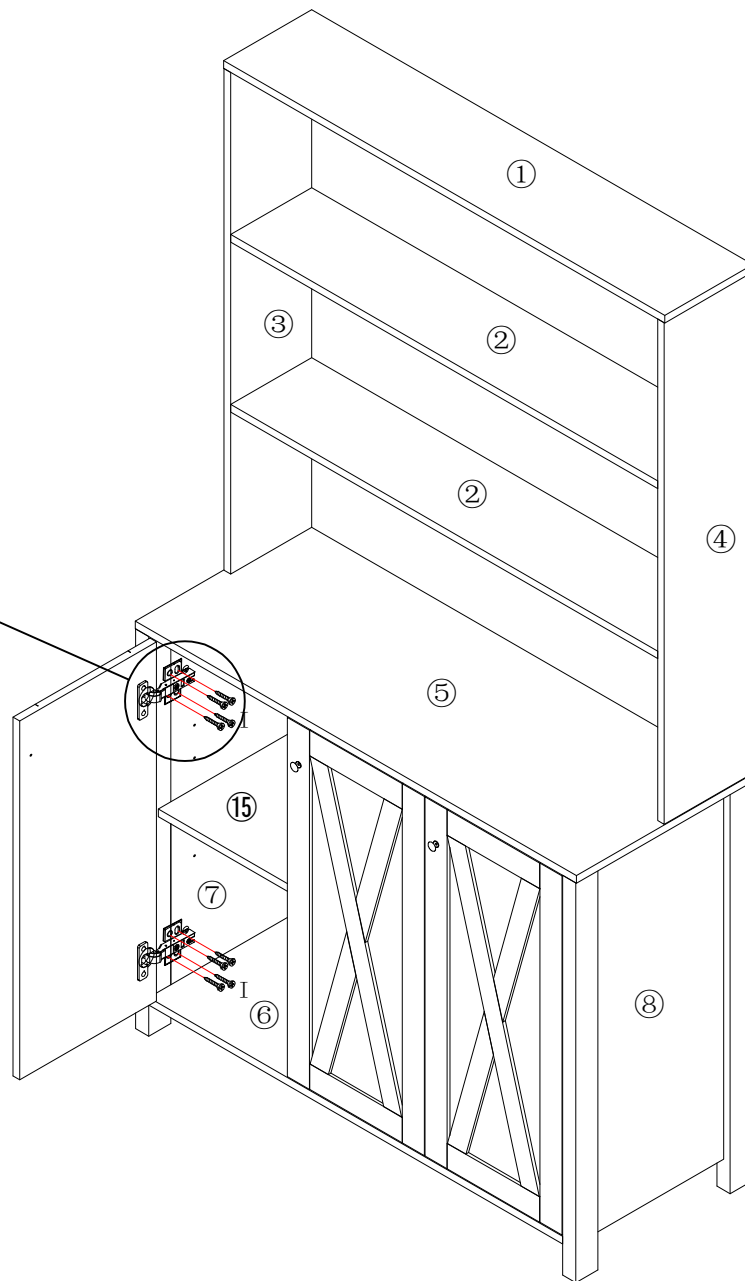
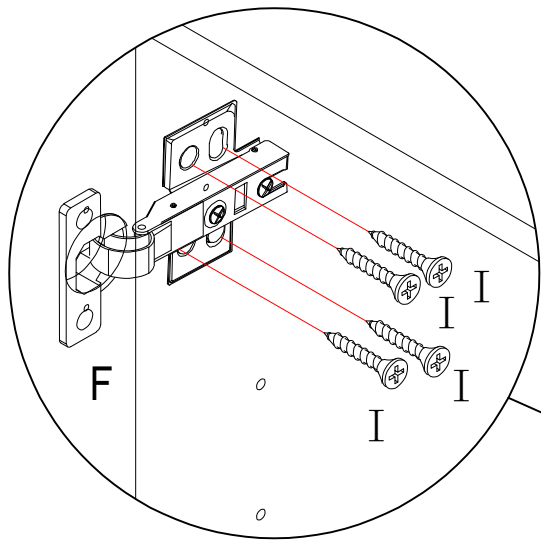
I*8

14



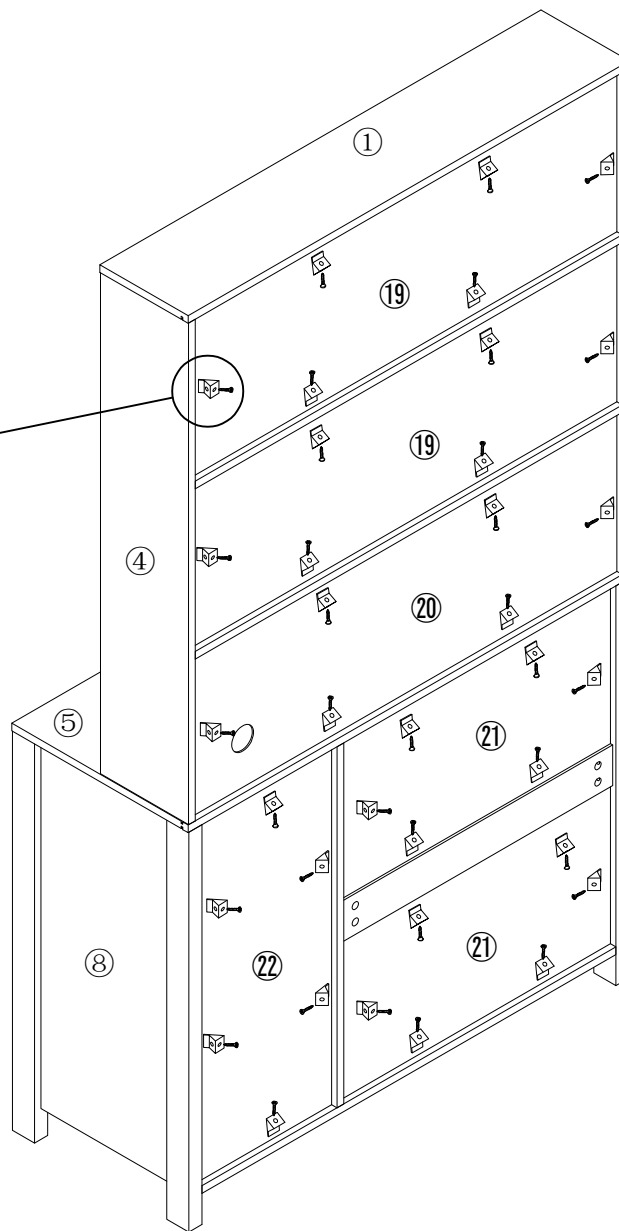
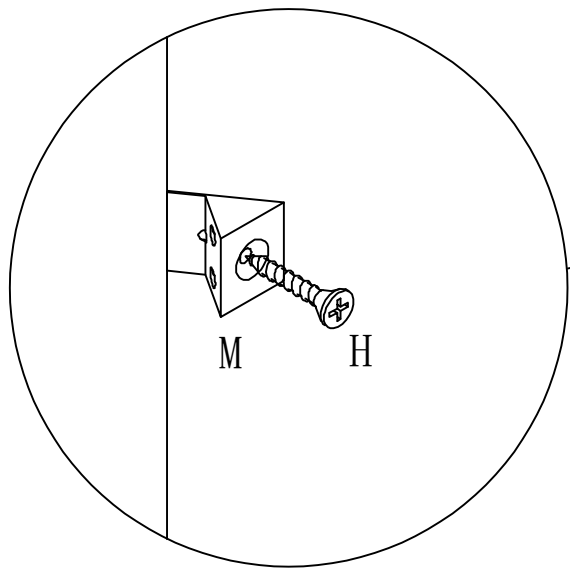
I*8

15



I*8

16

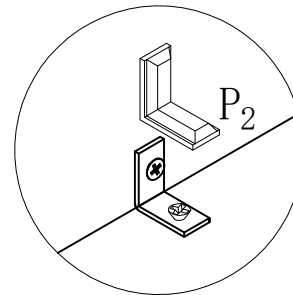
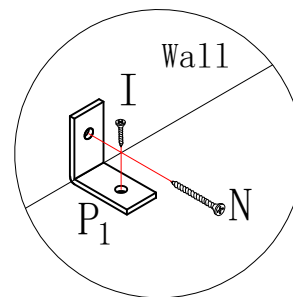
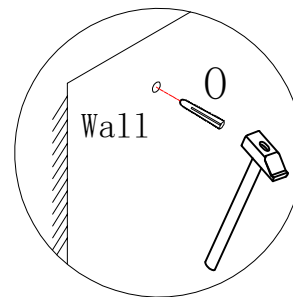
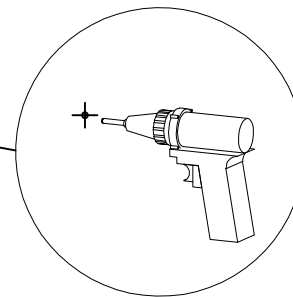
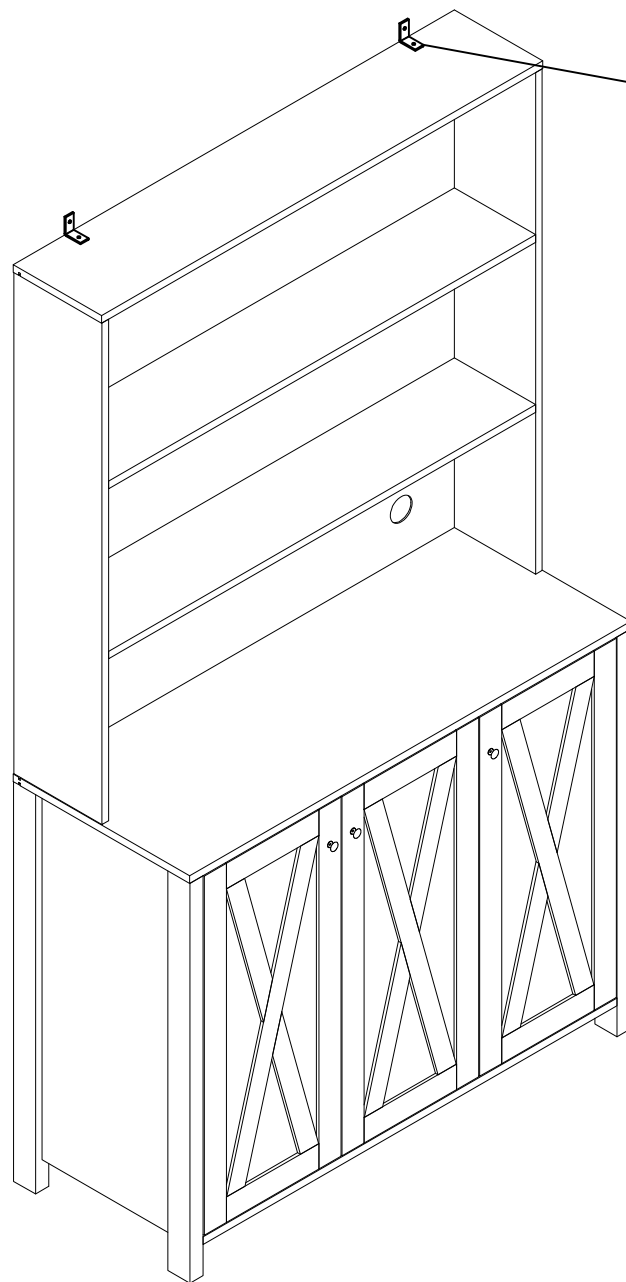


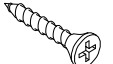
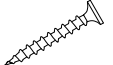

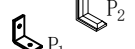
H*36



M*36

17



	I*2
	N*2
	O*2
	P*2

