

**A**

60PCS

**B** 15\*11.5

60PCS

**C** 8\*40

44PCS

**D** 7\*50

12PCS

**E** 3.5\*14

32PCS

**F**

2PCS

**G**

1PC

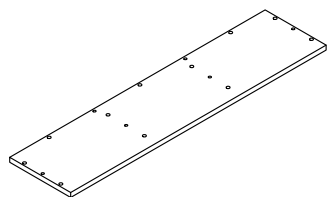
**H**

16PCS

**I**

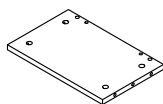
16PCS

1



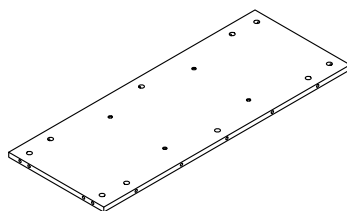
900\*215(mm)  
35.43\*8.46(inch)  
2PCS

2



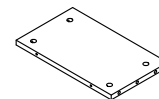
335\*215(mm)  
13.19\*8.46(inch)  
2PCS

3



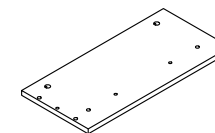
868\*335(mm)  
34.17\*13.19(inch)  
1PC

4



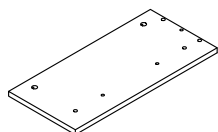
199\*335(mm)  
7.83\*13.19(inch)  
2PCS

5



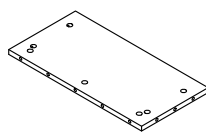
500\*235(mm)  
19.69\*9.25(inch)  
2PCS

6



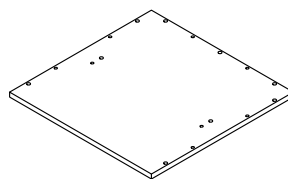
500\*235(mm)  
19.69\*9.25(inch)  
2PCS

7



468\*235(mm)  
18.43\*9.25(inch)  
2PCS

8



500\*500(mm)  
19.69\*19.69(inch)  
2PCS

9



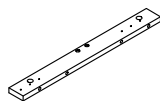
170\*80(mm)  
6.69\*3.15(inch)  
2PCS

10



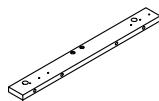
170\*80(mm)  
6.69\*3.15(inch)  
2PCS

11

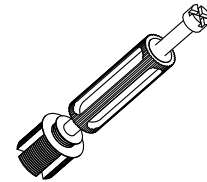
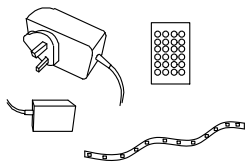


484\*50(mm)  
19.06\*1.97(inch)  
2PCS

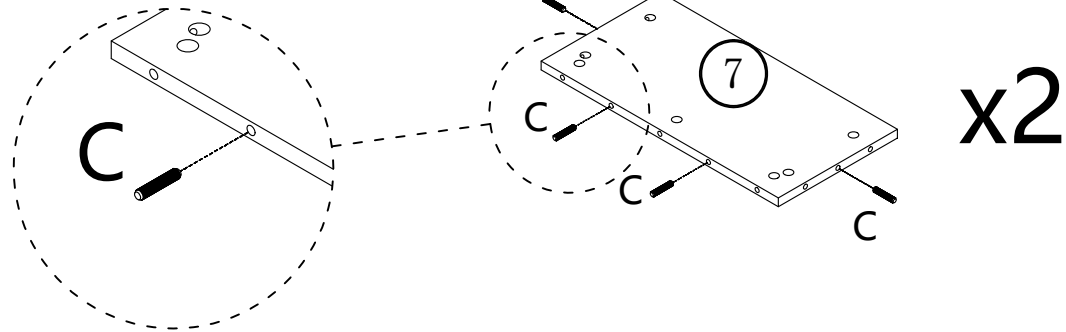
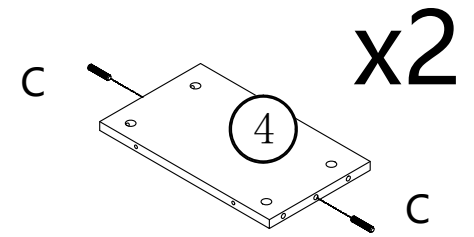
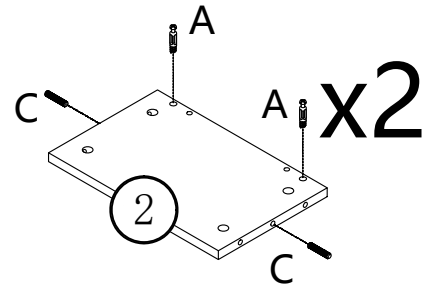
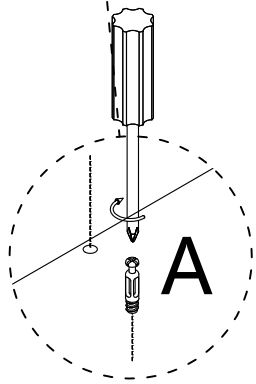
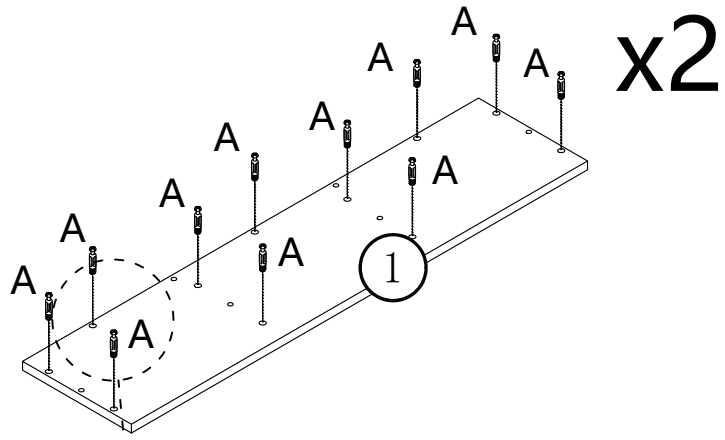
12



484\*50(mm)  
19.06\*1.97(inch)  
2PCS





1

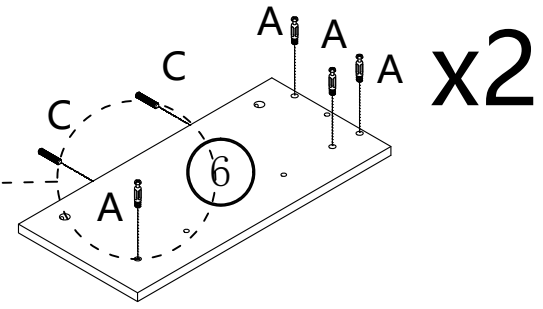
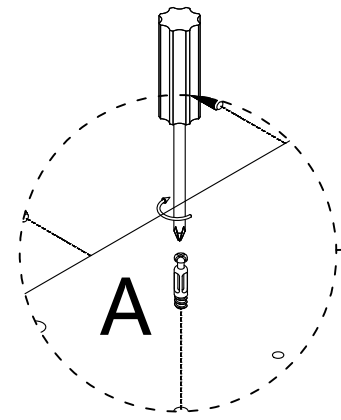
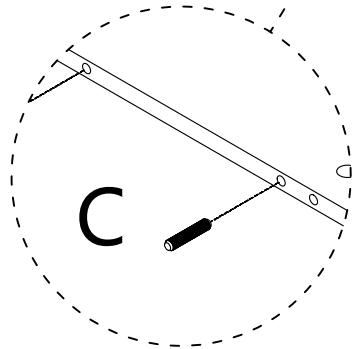
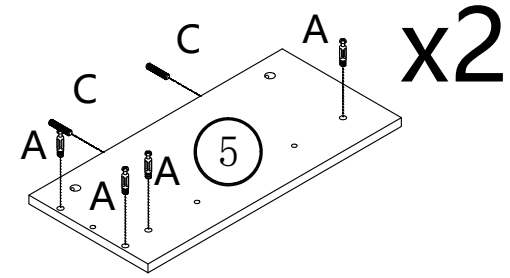
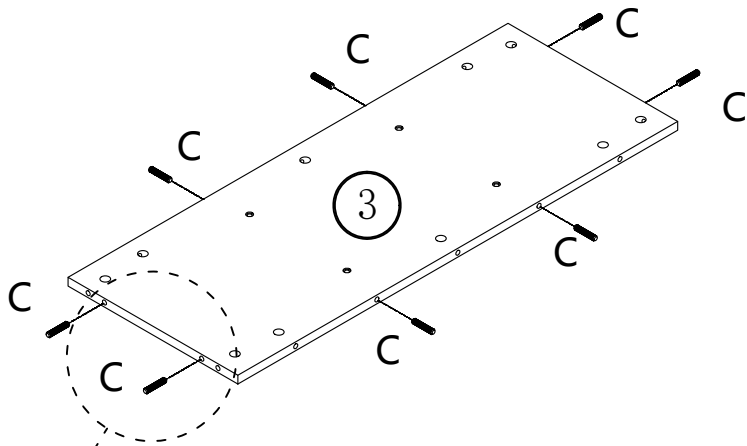


put A on board (1) (2)

put C on board (2) (4) (7)

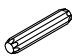

	C*16
	A*26

2



put A on board (5) (6)

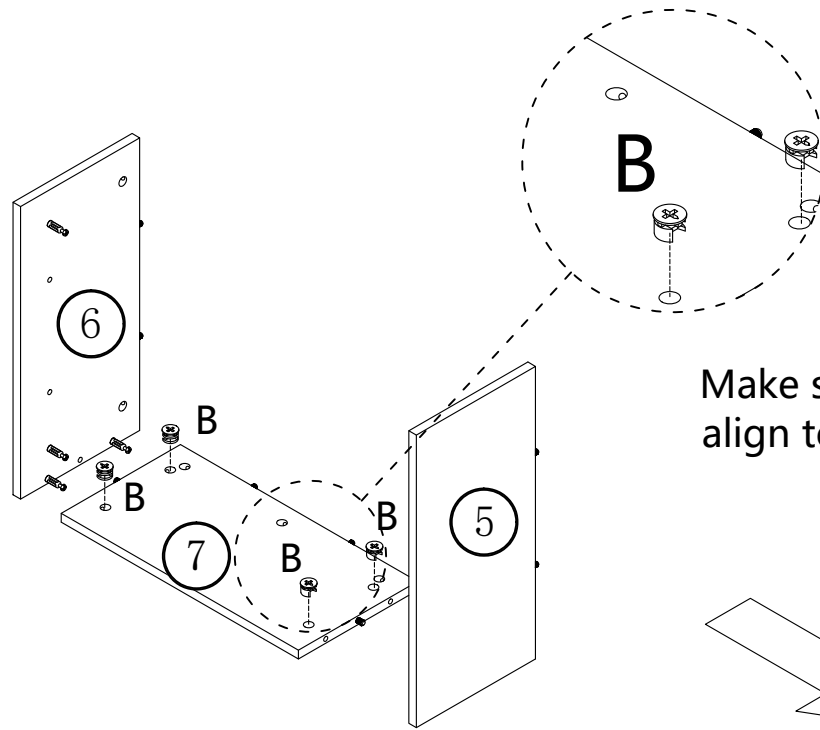
put C on board (3) (5) (6)

	C*16
	A*16

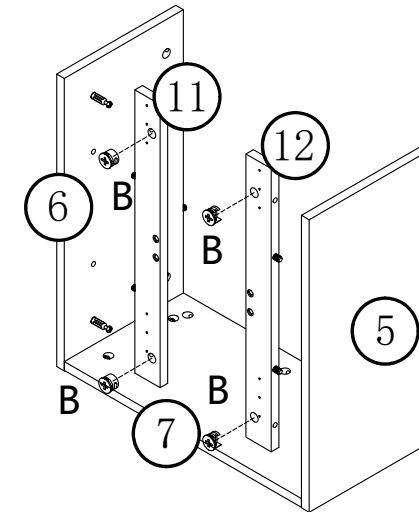
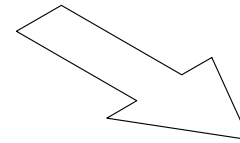


4

x2



Make sure the arrow on the screw align to the hole on the side.

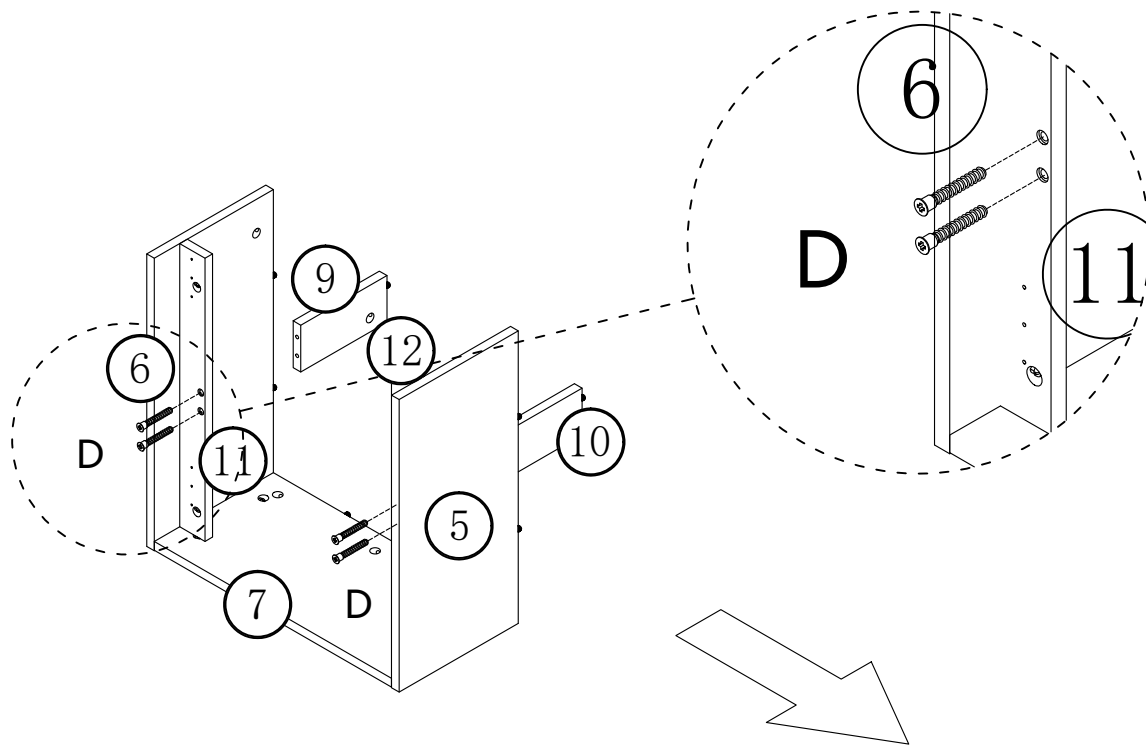


put B on board (7) (11) (12)



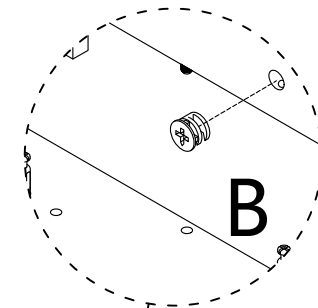
B\*16

5

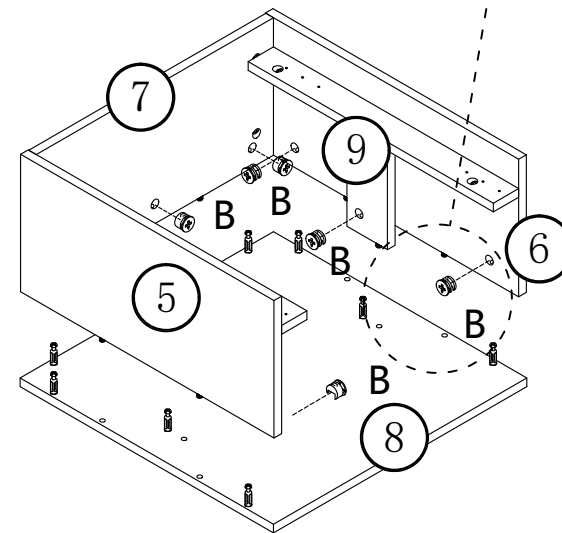




x2

Make sure the arrow on the screw align to the hole on the side.

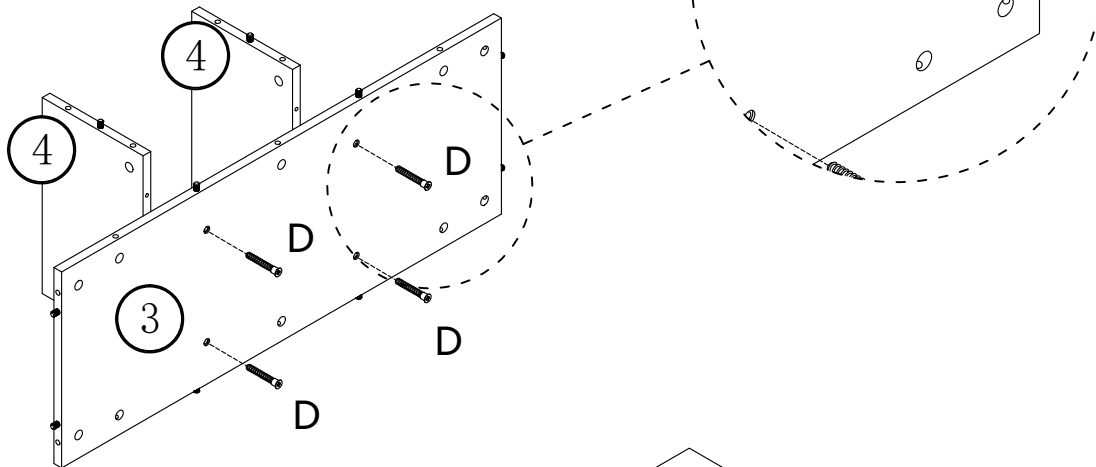


- put D on board (11) (12)
- put B on board (5) (6) (7) (9) (10)



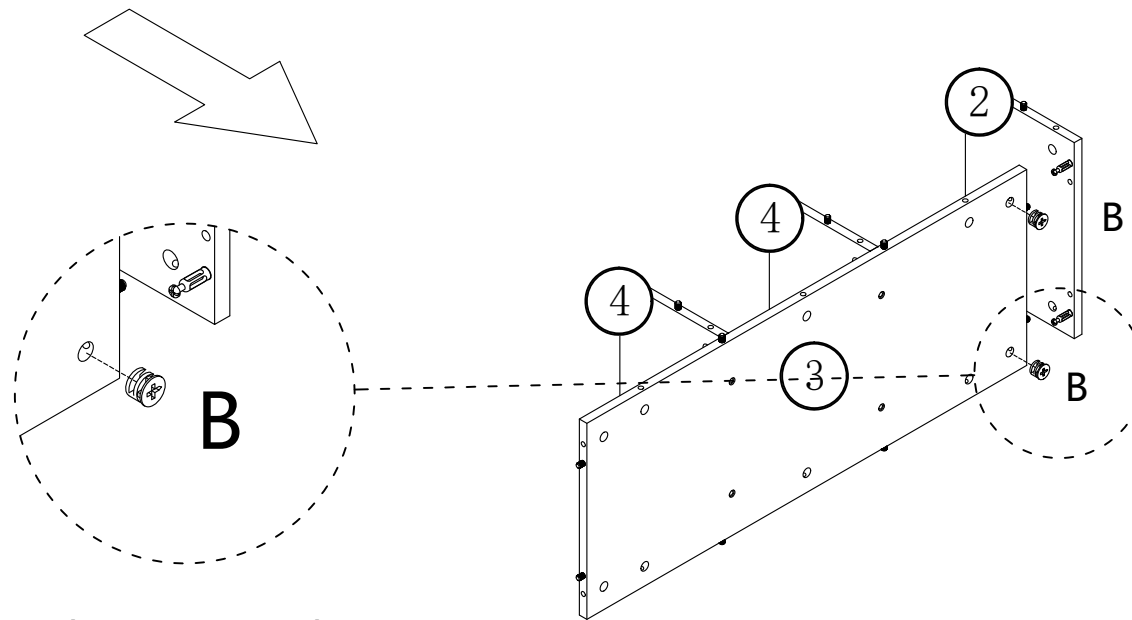
	B*18
	D*8



6



put D on board (3)

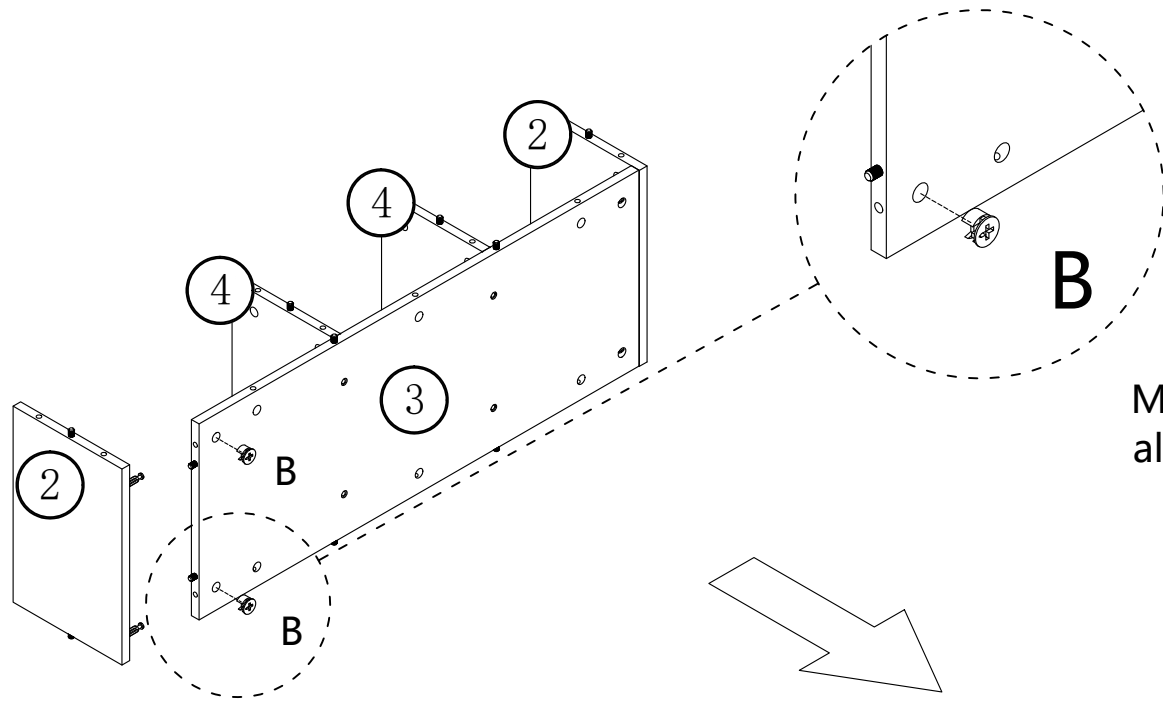
put B on board (3)



	B*2
	D*4

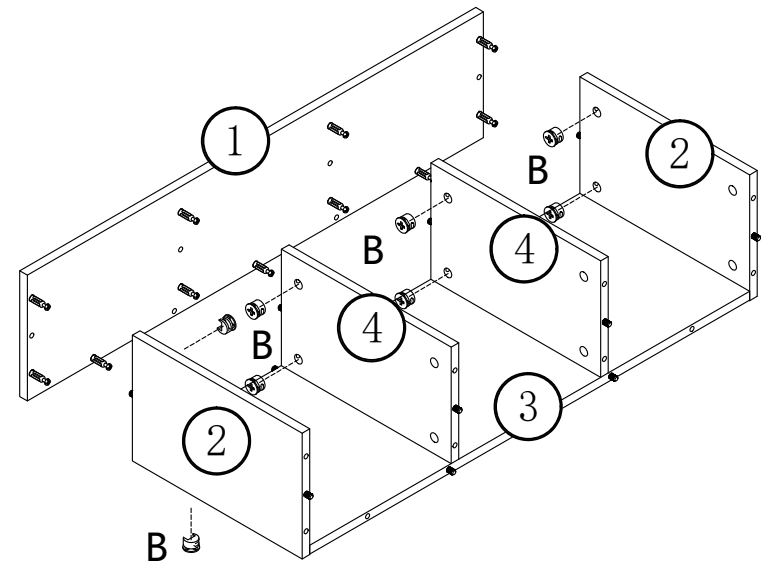
Make sure the arrow on the screw align to the hole on the side.

7



Make sure the arrow on the screw align to the hole on the side.

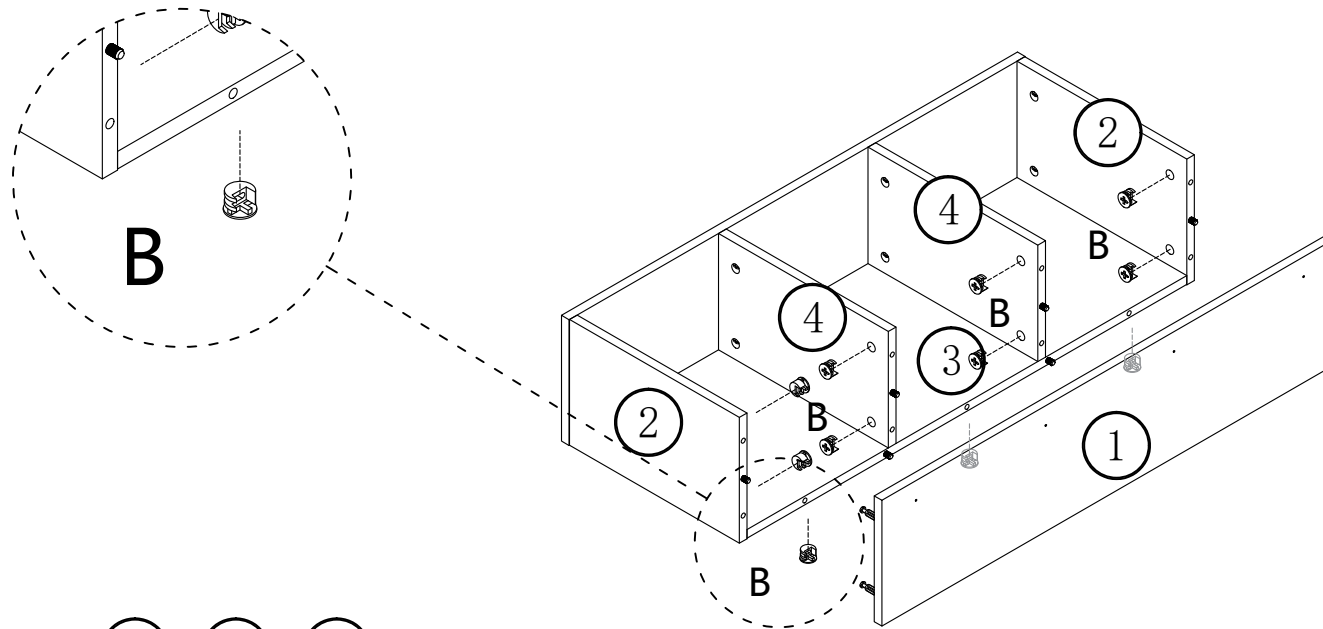
put B on board 2 3 4



B\*13

8

Make sure the arrow on the screw align to the hole on the side.

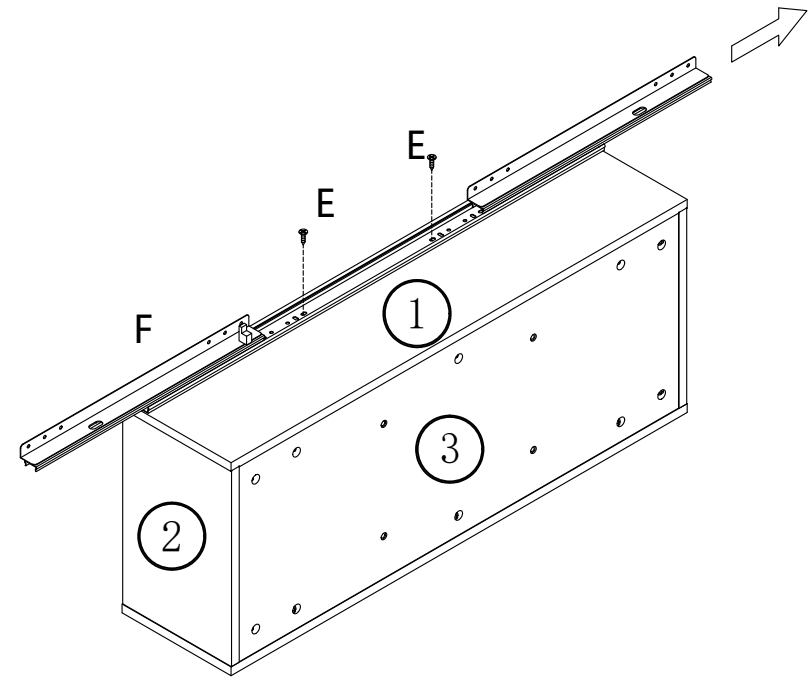
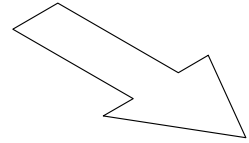
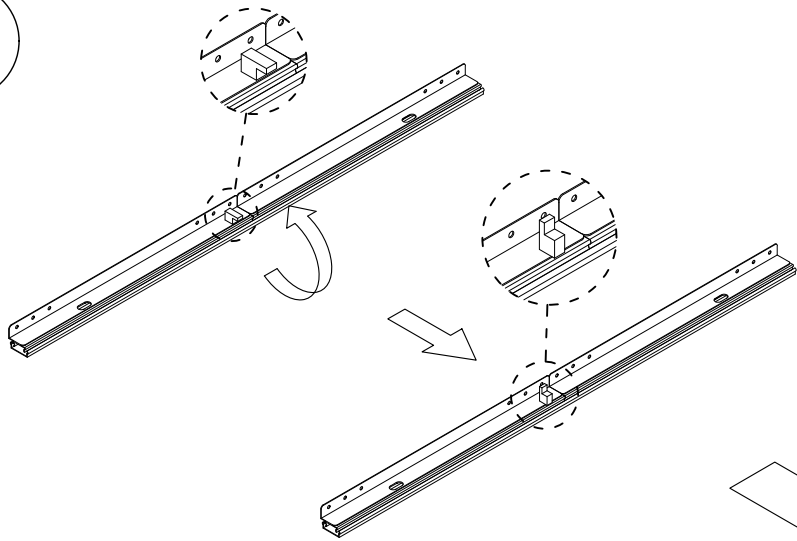


put B on board (2) (3) (4)





B\*11

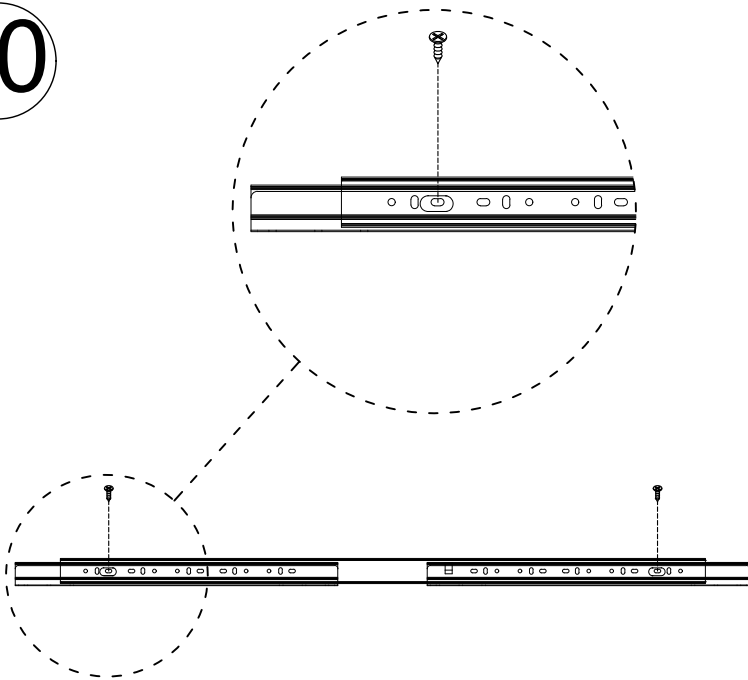
9



put E、 F on board ①

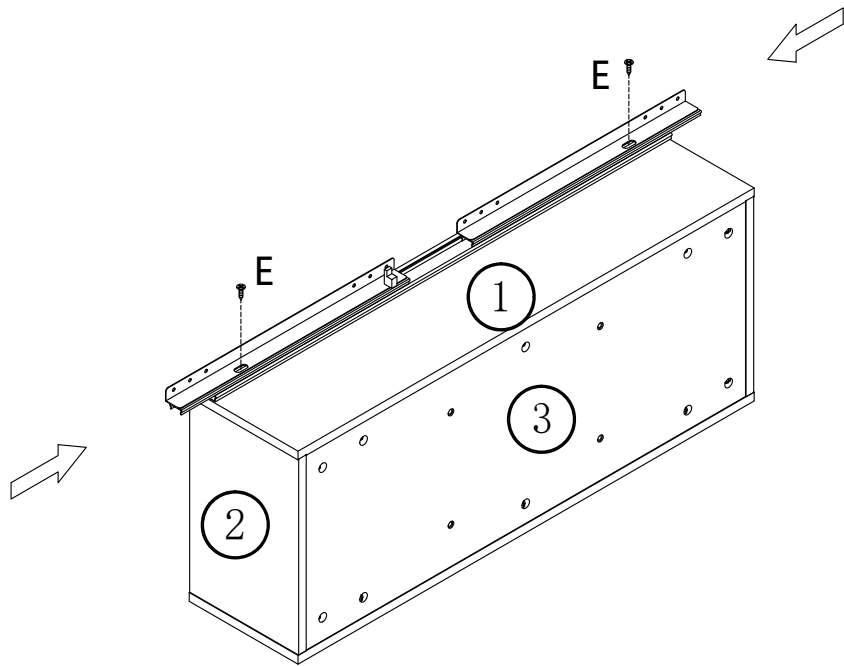
	E*2
	F*1

10



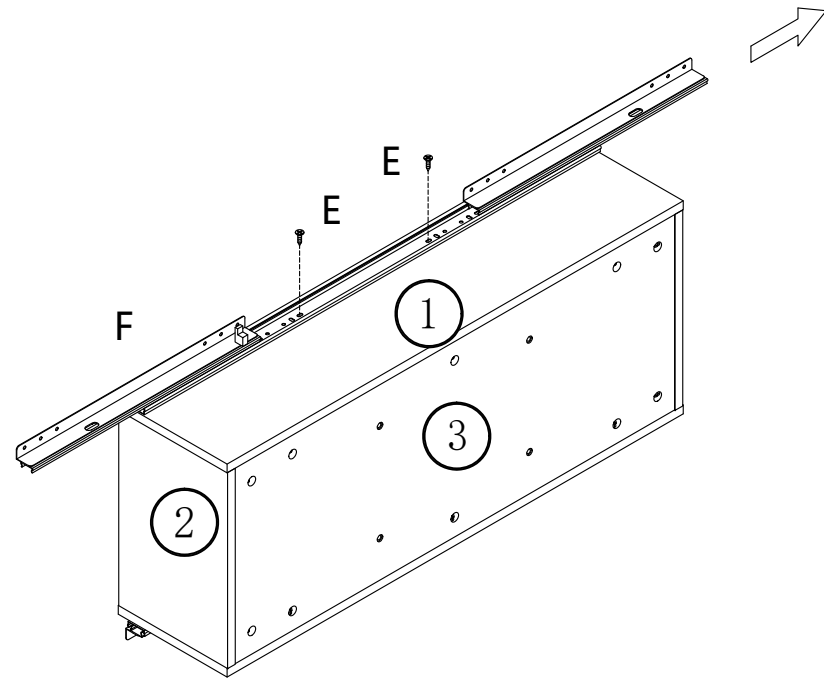
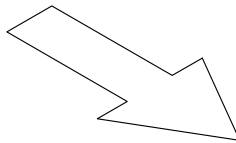
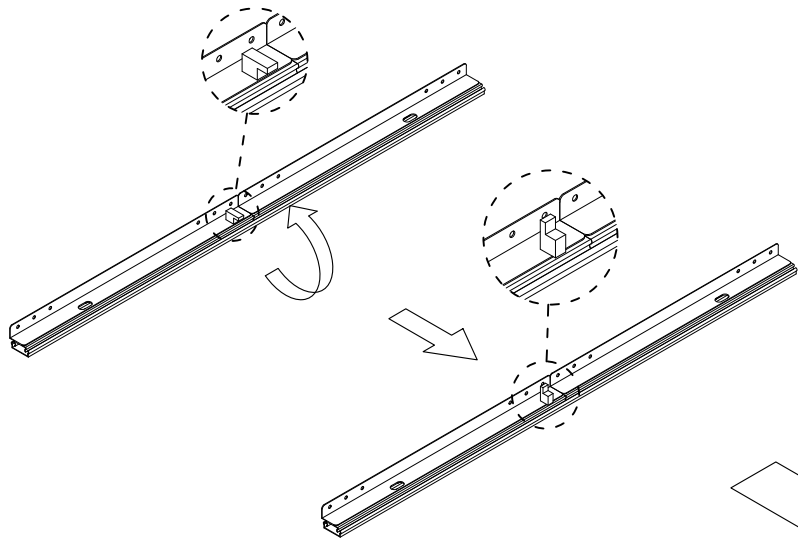
put E on board

1





E\*2

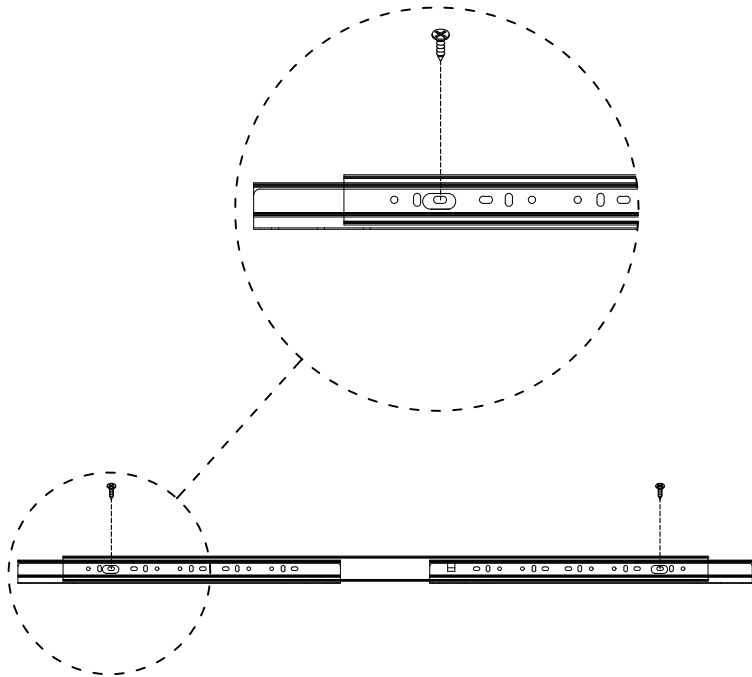
11



put E、 F on board ①

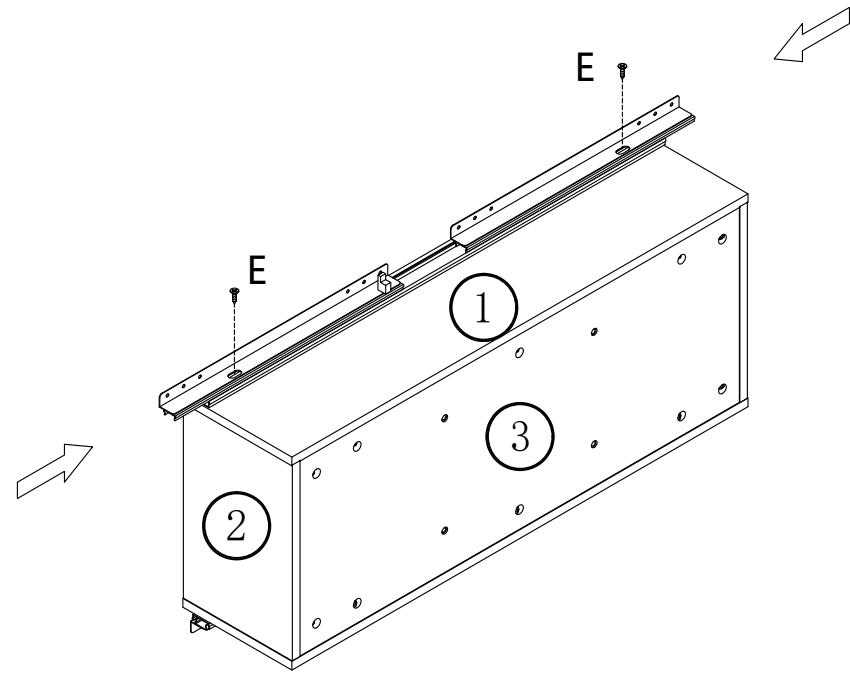
	E*2
	F*1

12



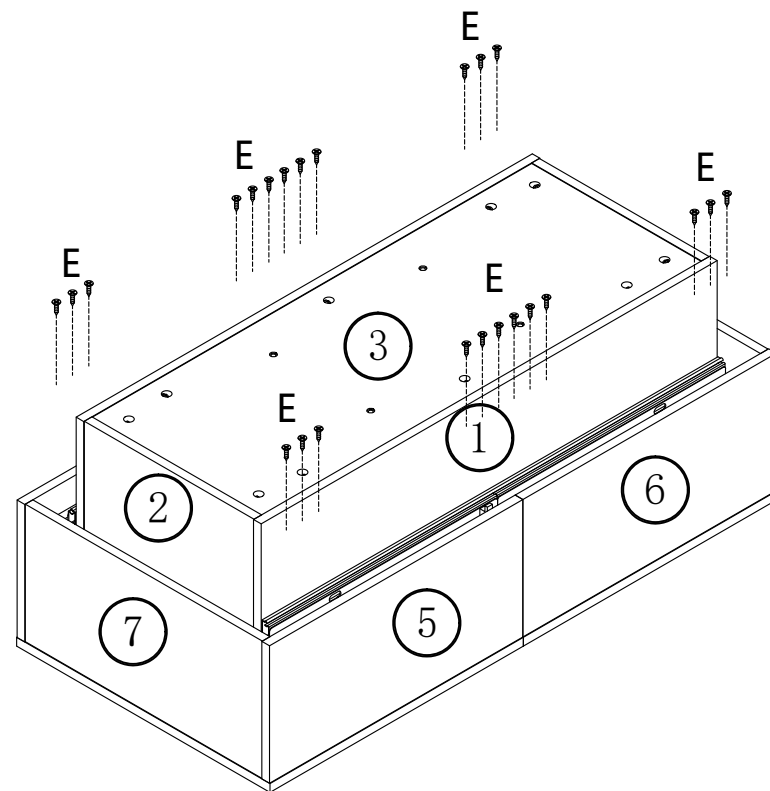
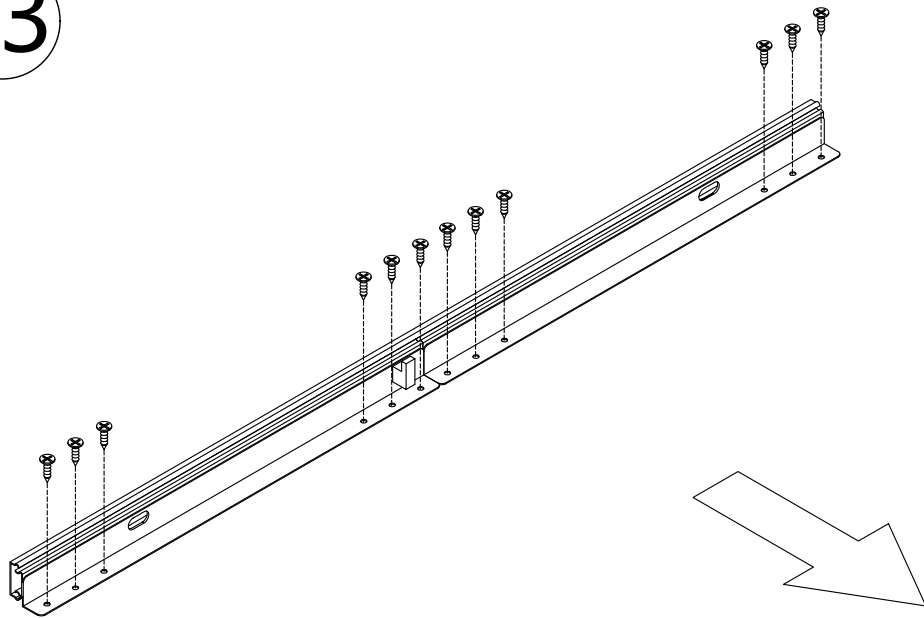
put E on board

1



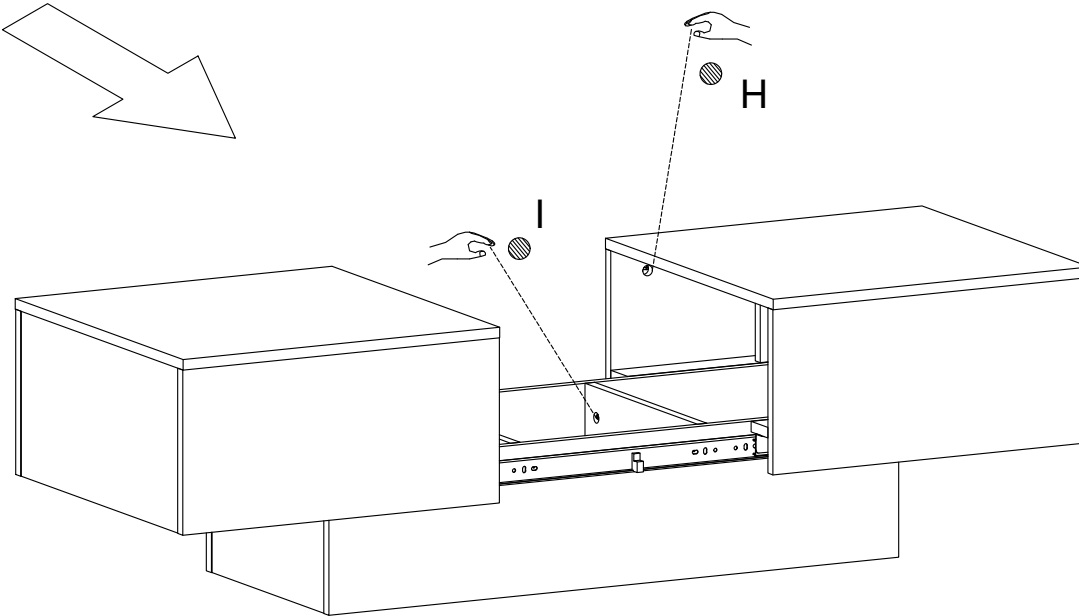
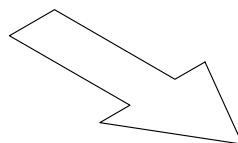
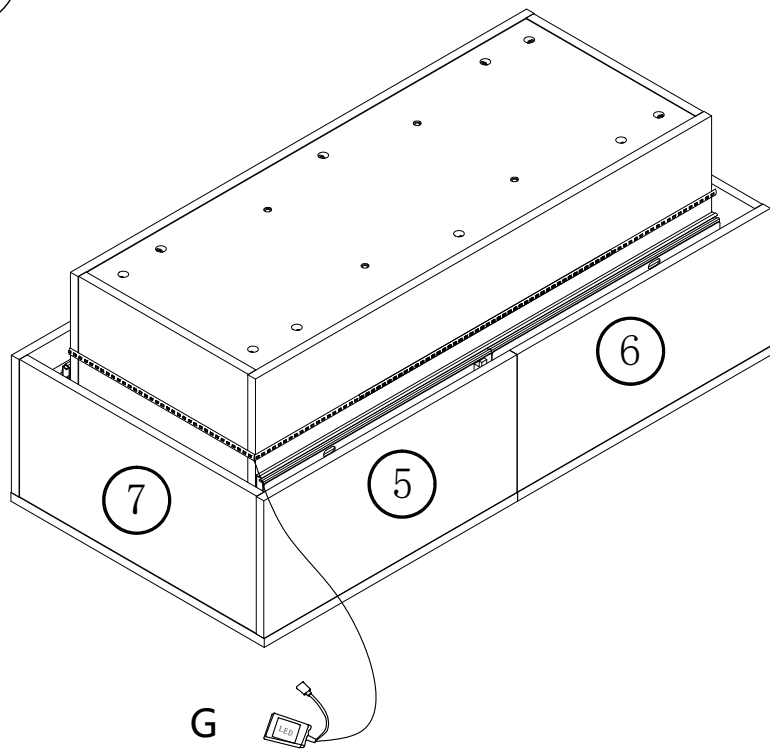
E\*2




13



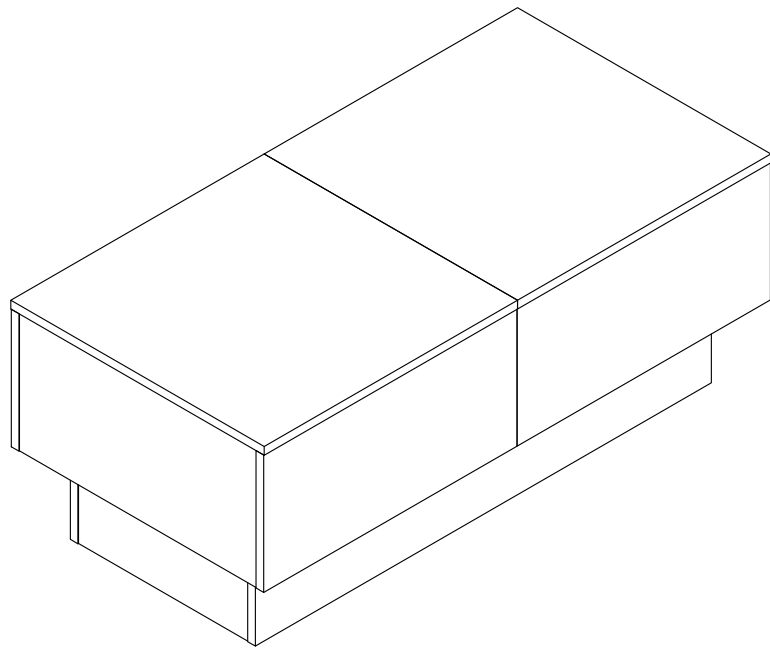
E\*24

14



	<b>G*1</b>
	<b>H*16</b>
	<b>I*16</b>

14



END