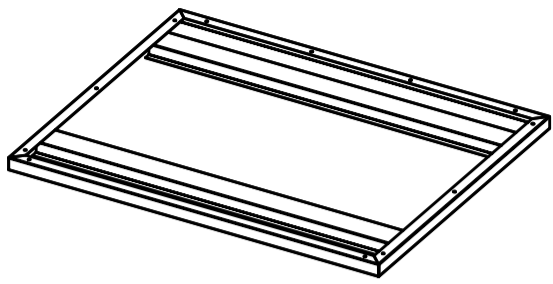


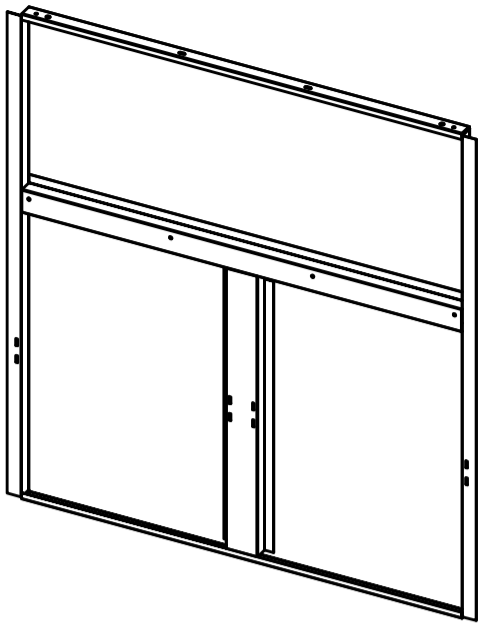
**NOTE: Please find a helper to help you assemble it, this is very necessary**



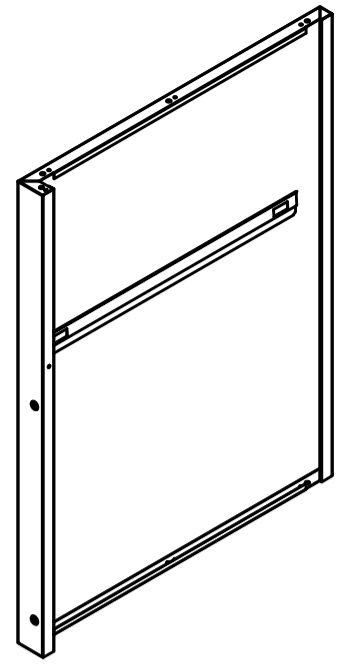
**Please scan the QR code to check the assembly video**



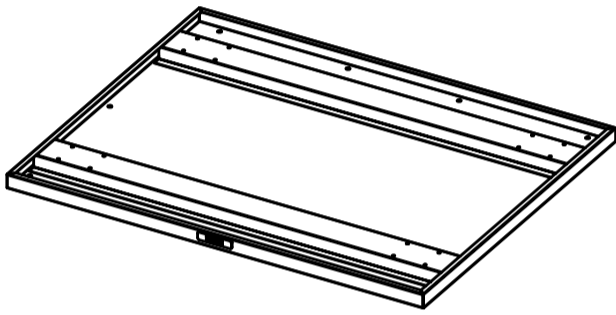
**A:Top panel**



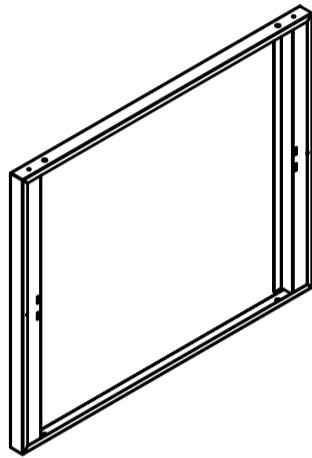
**B: Back panel**



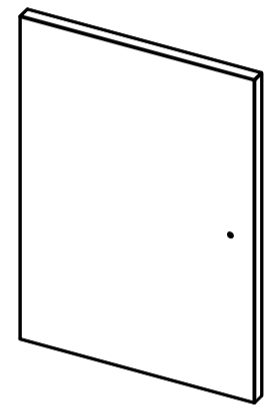
**C: Panel x2**



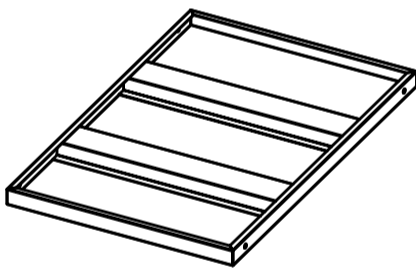
**D:Bottom panel**



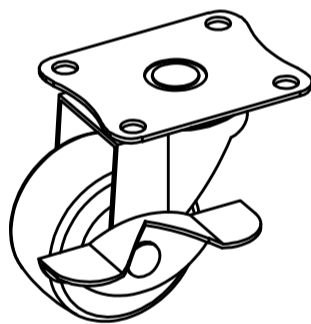
**E: Middle panel**



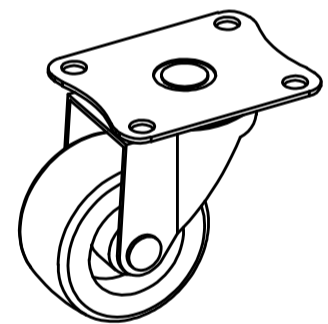
**F:Door x2**



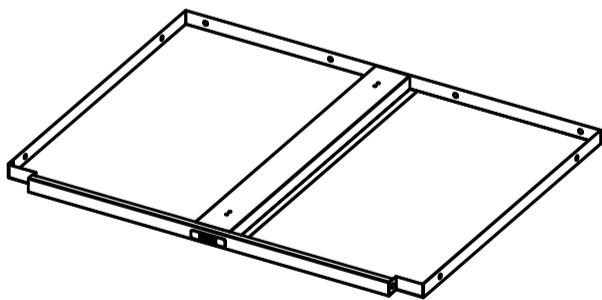
**G:Shelf x2**



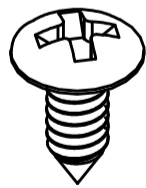
**H: Front wheel x2**



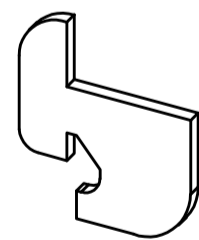
**I: Rear wheel x2**



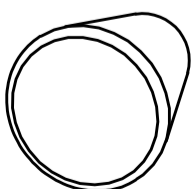
**J:Middle shelf**



**K:5x12mm Screw x50**



**L:Shelf suppor x8**



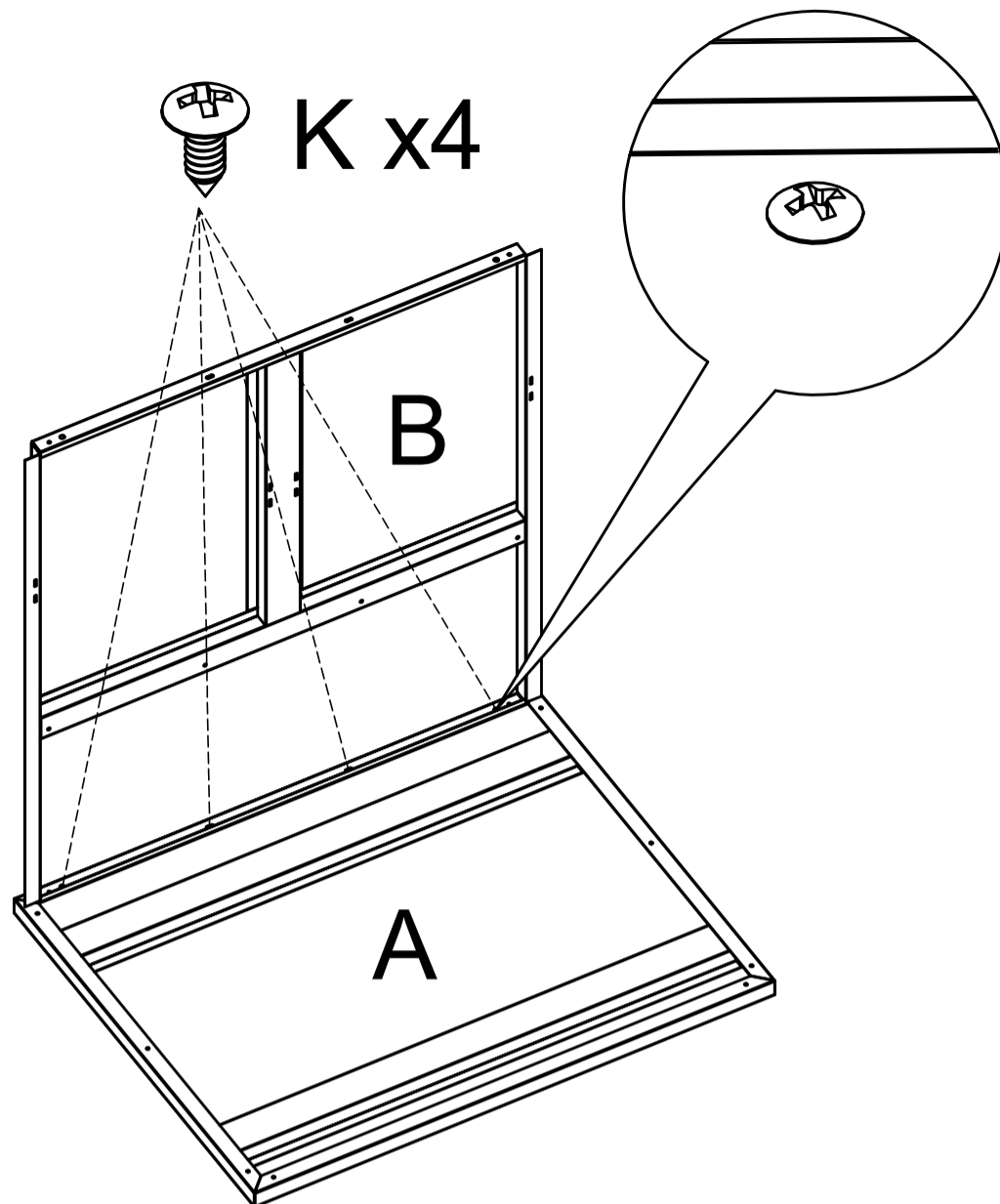
**M: Hold hands x2**



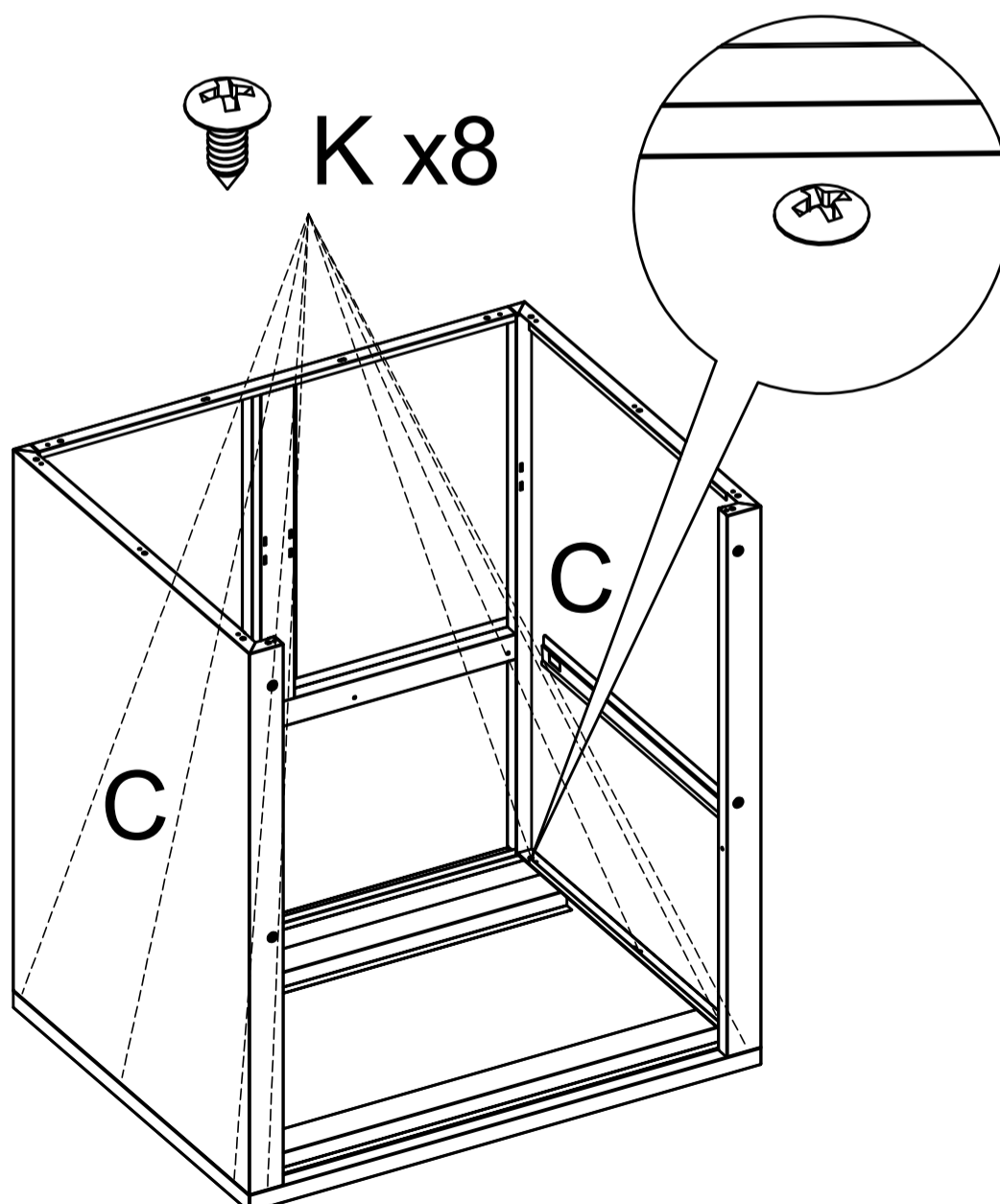
**N:Hand screw x2**



**Q:4x8mm Screw x4**



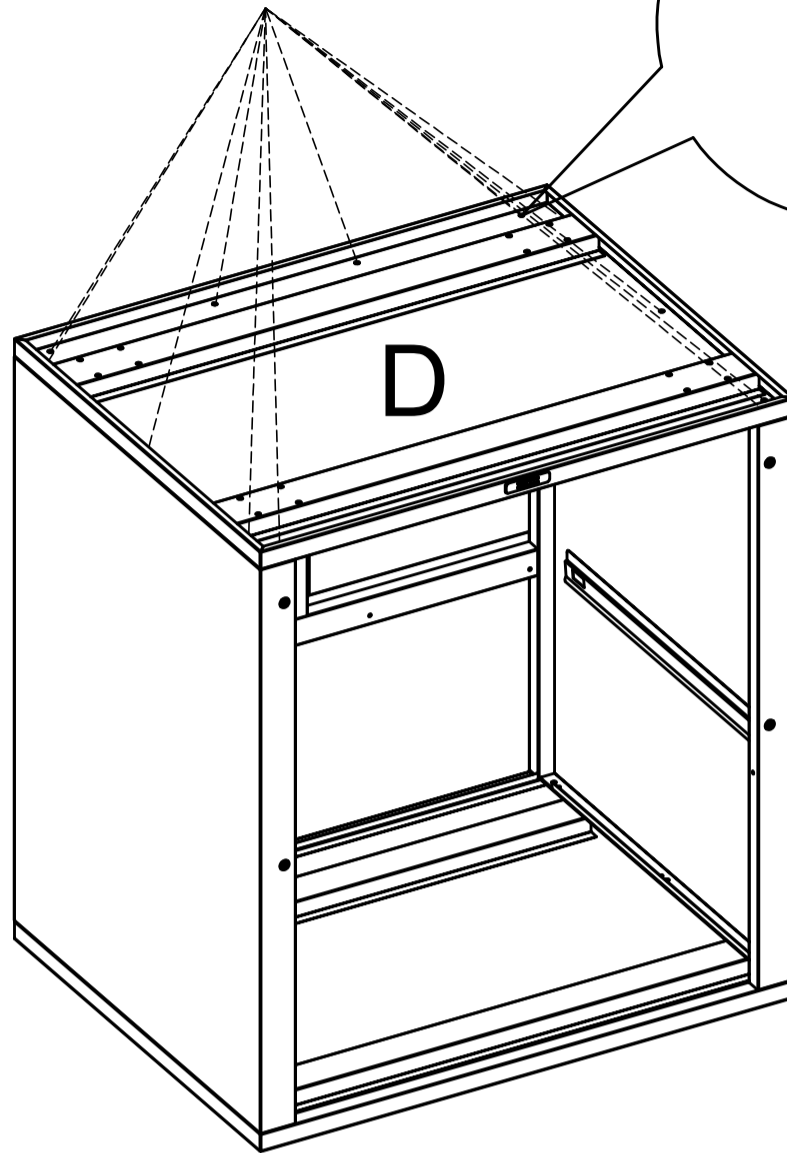
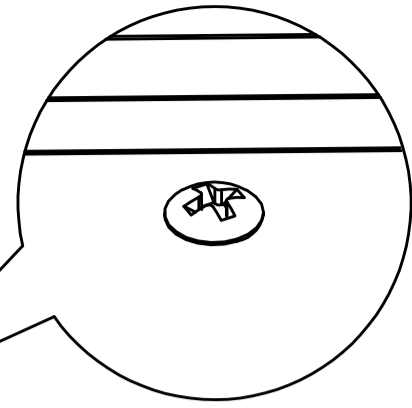
**1.Assemble A and B, secure with screws K**



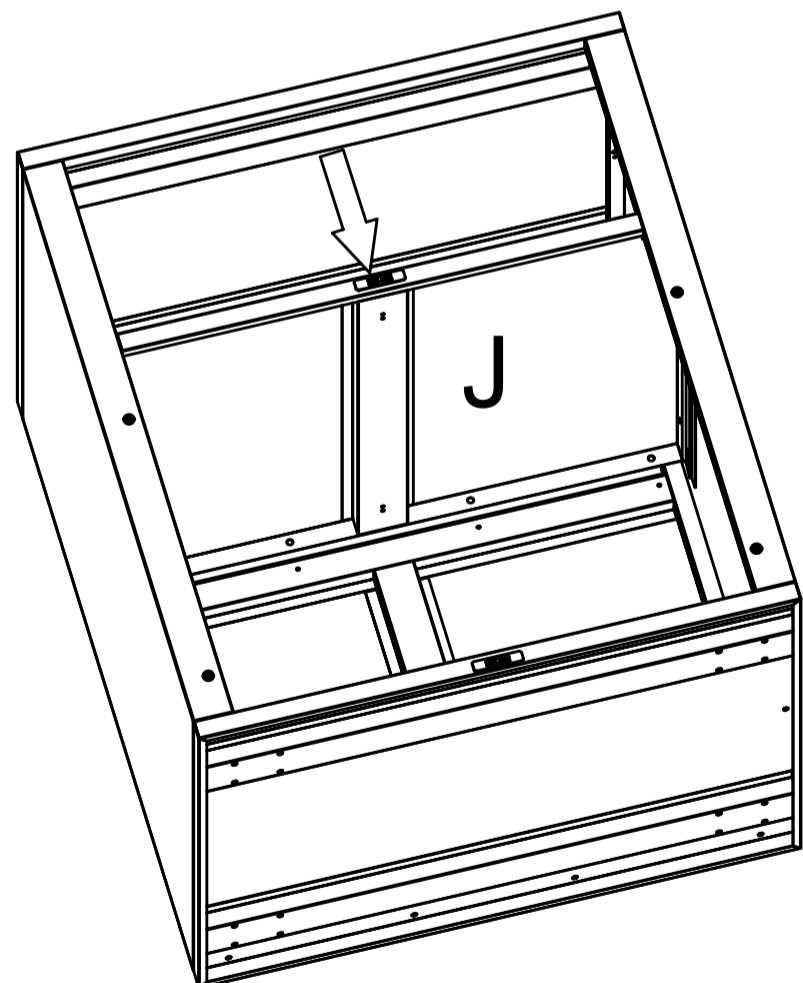
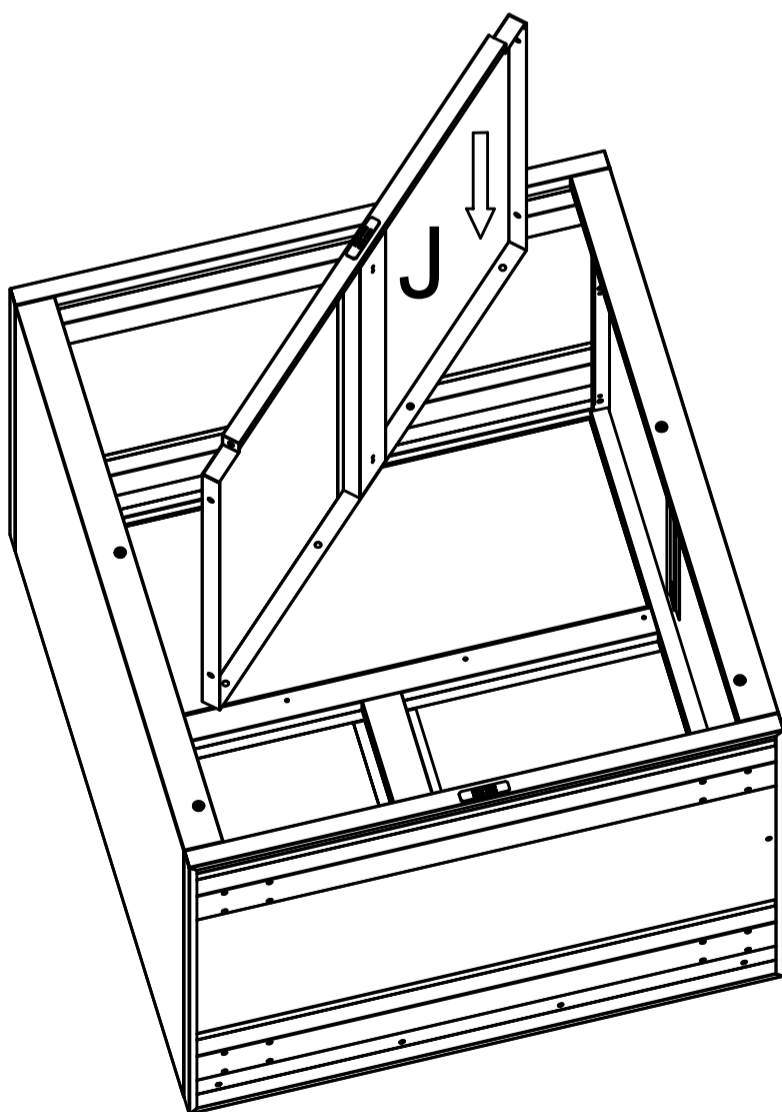
**2.Assemble C, secure with screws K**




K x12

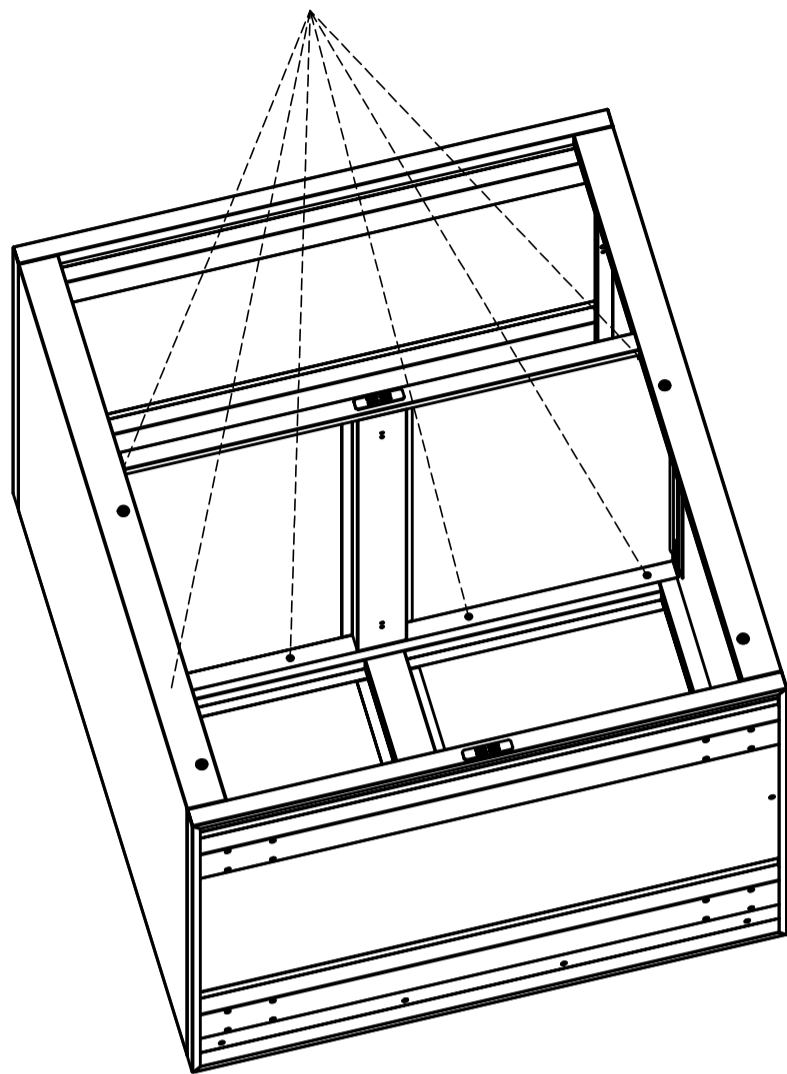


**3. Install D, secure with screws K**



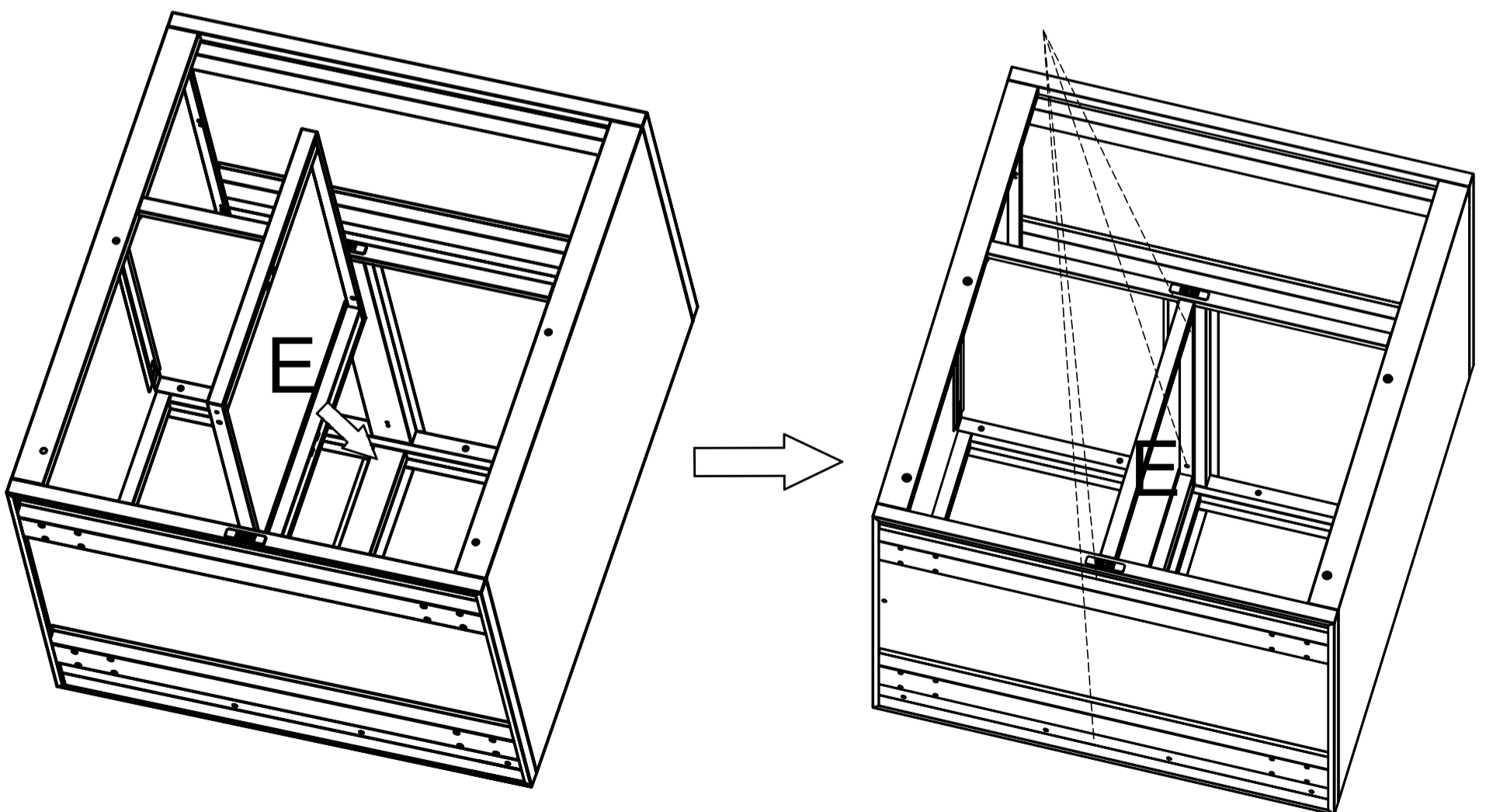
**4. Install J**

 K x6



**5. Secure with screws K**

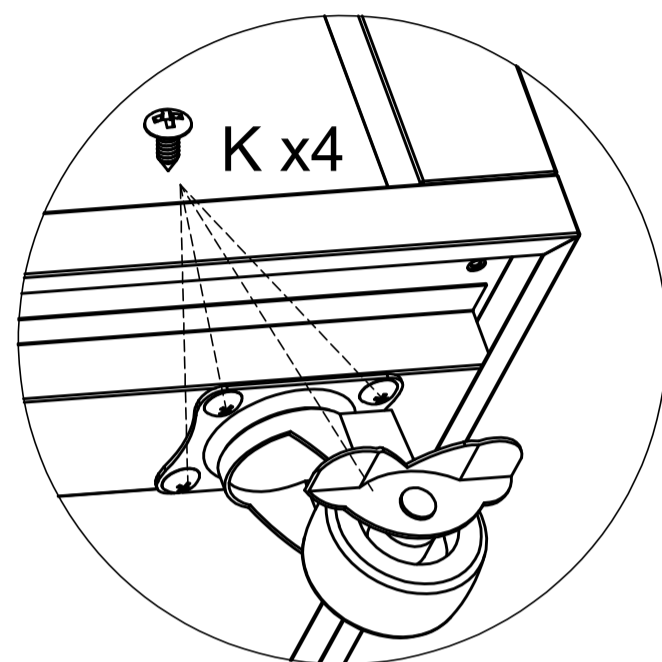
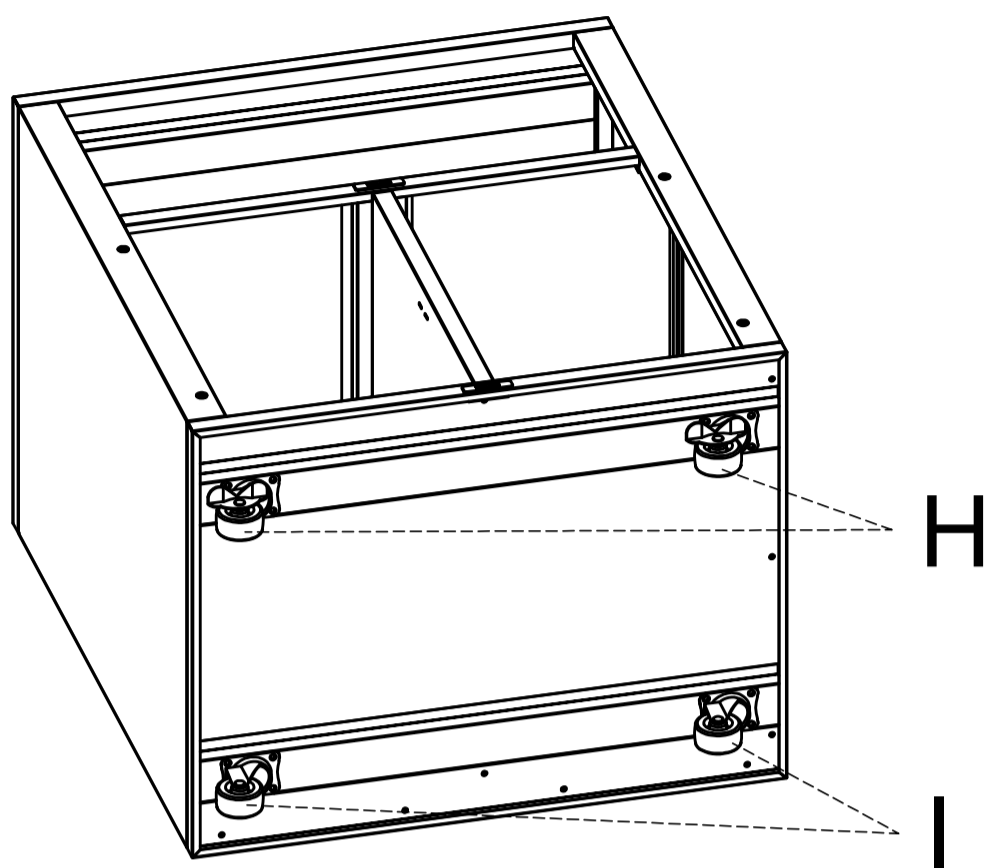
 K x4



**6. Install E, secure with screws K**

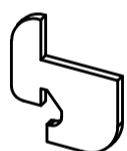


K x16

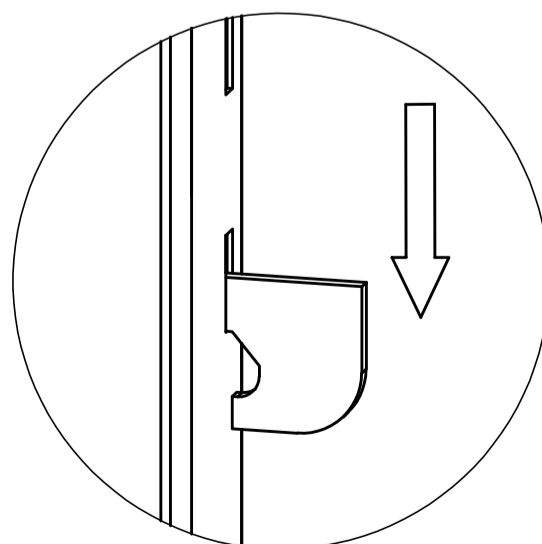
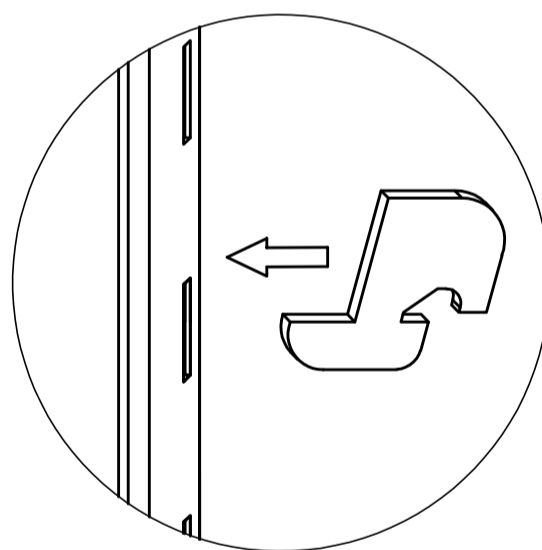
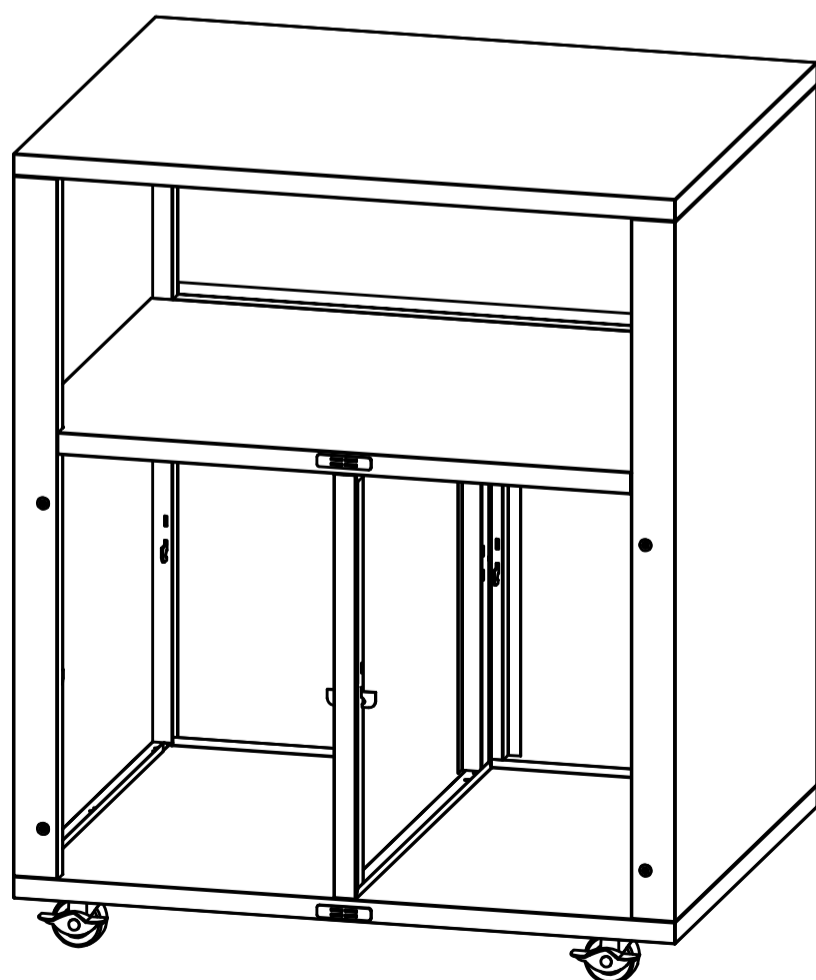


7. Install H and I, secure with screws K

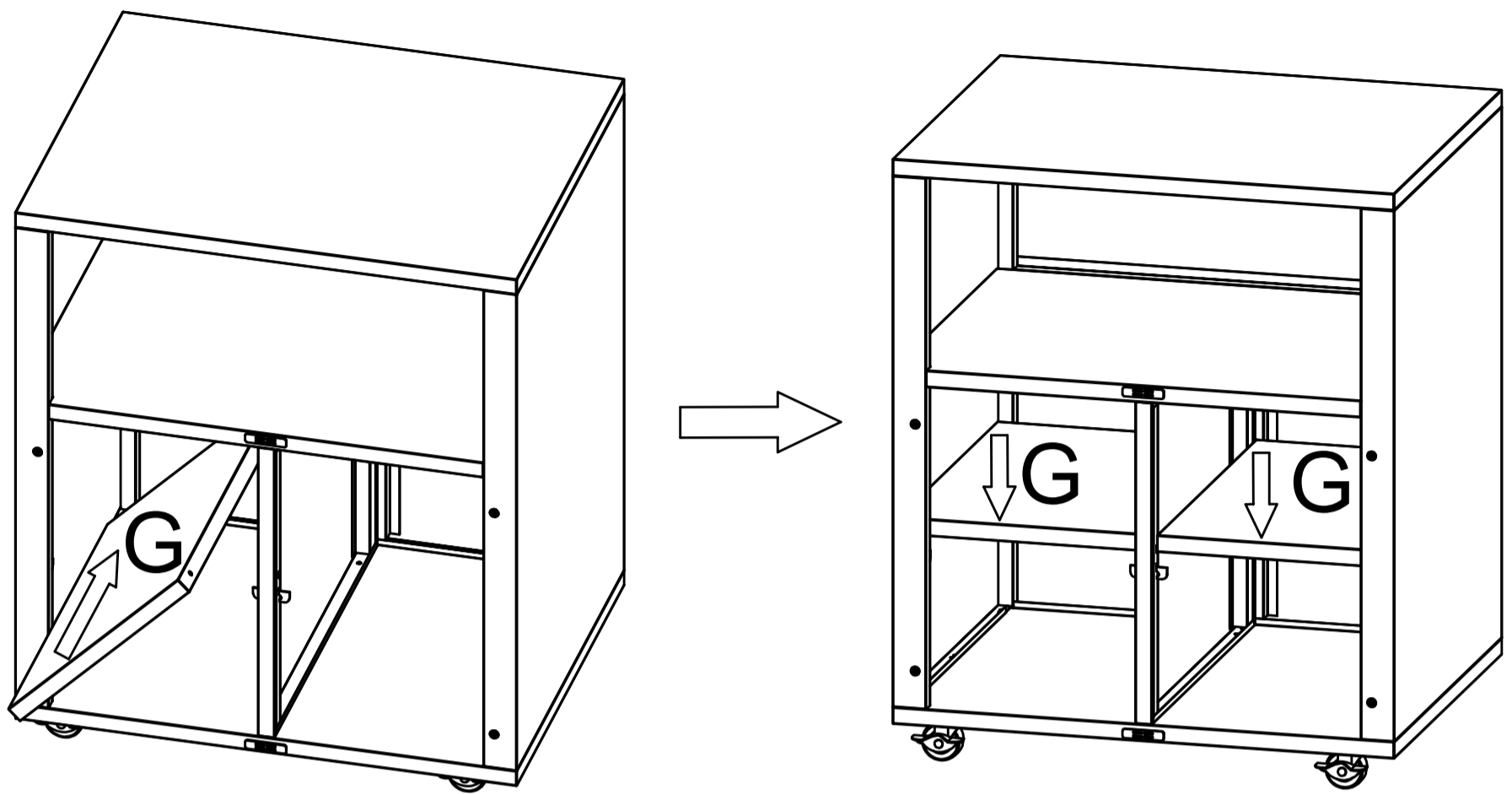
Shelf support



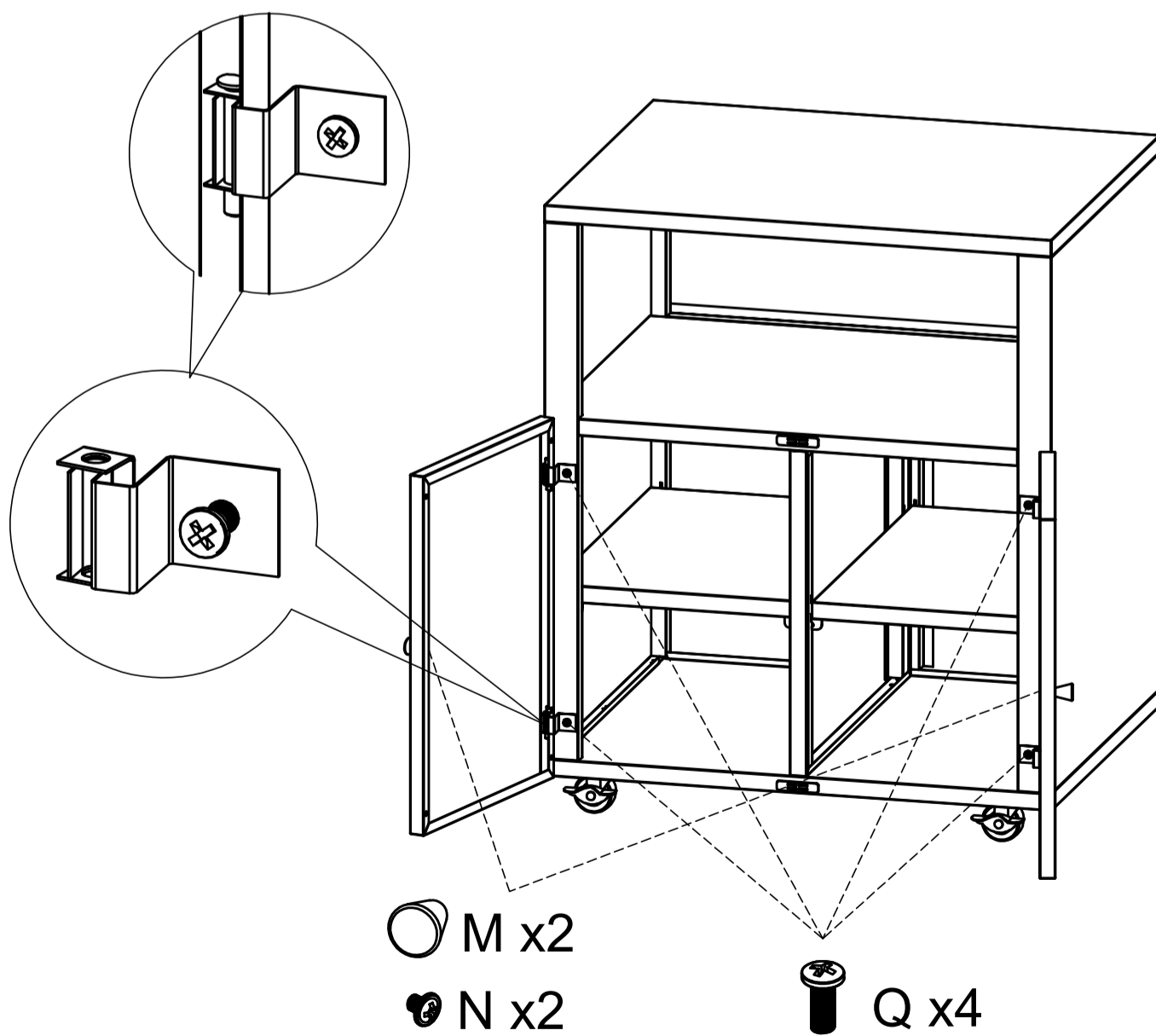
L x8



8. Install L



## 9. Install G



## 10. Install M, secure with screws N. Install F, secure with screws Q