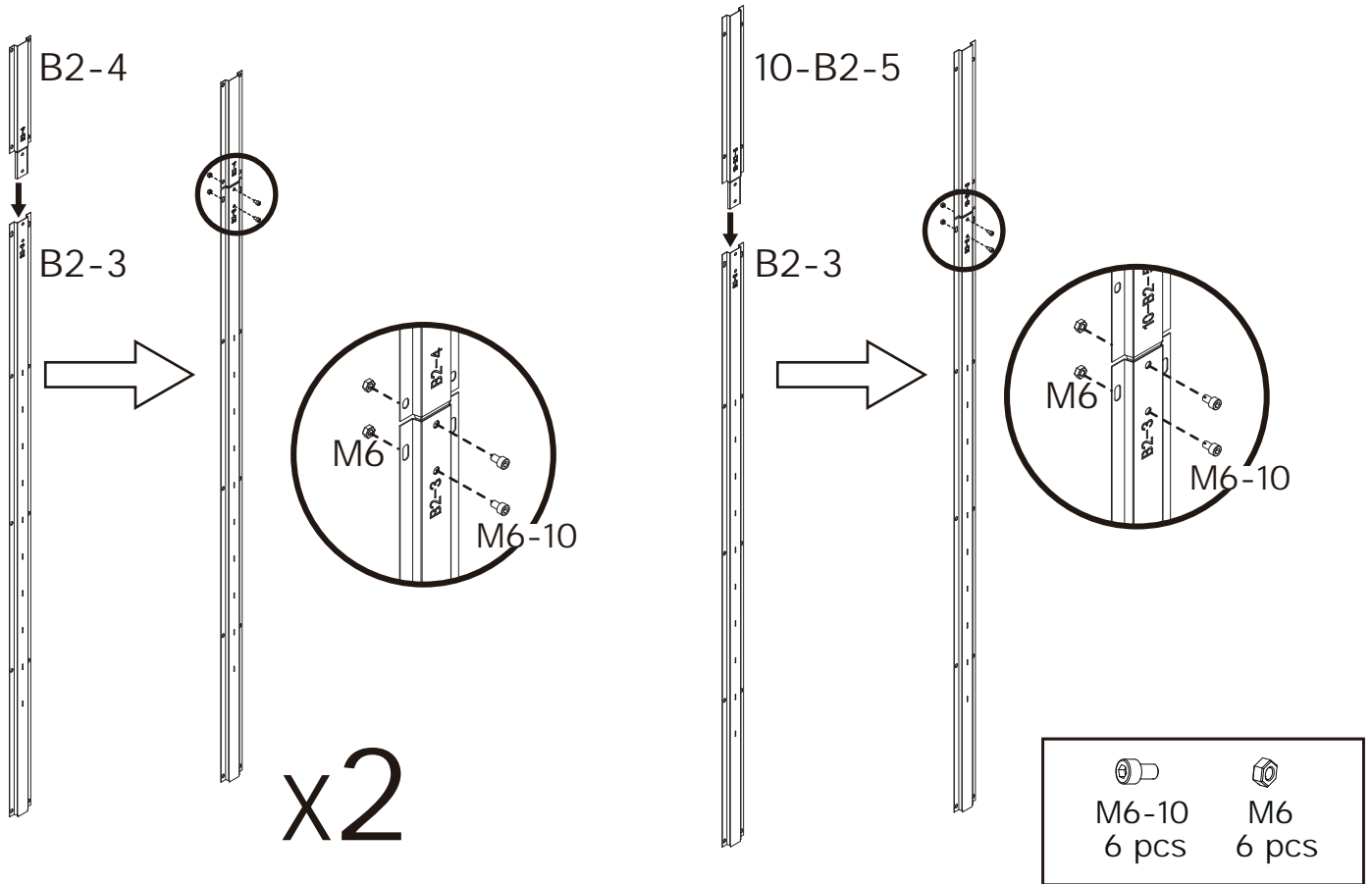
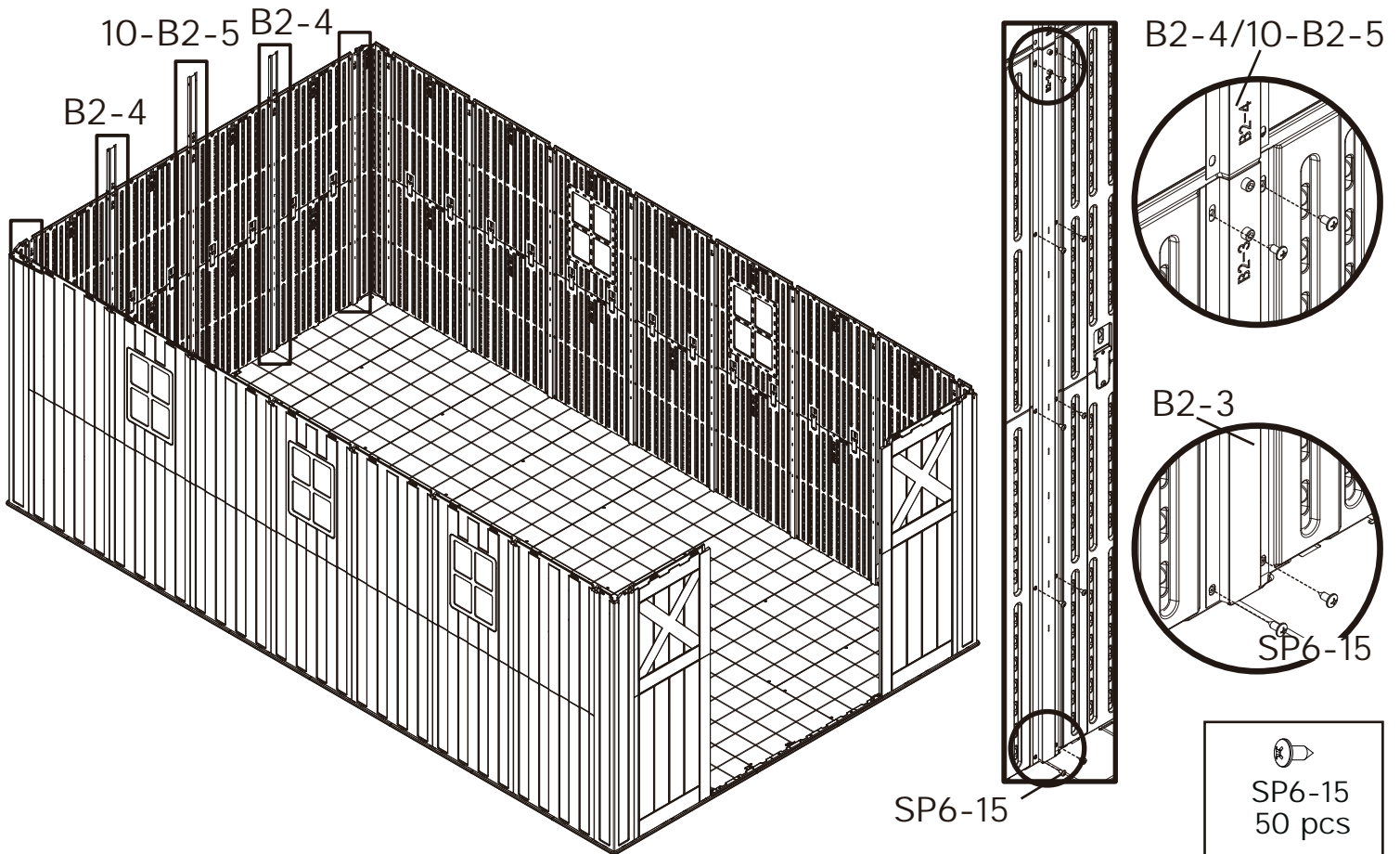


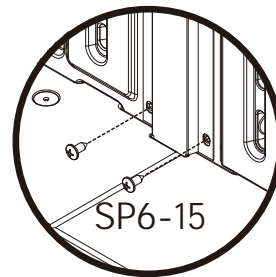
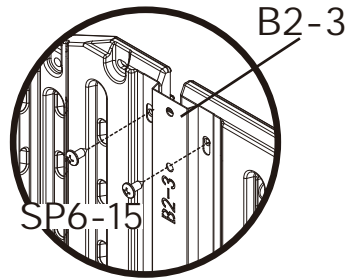
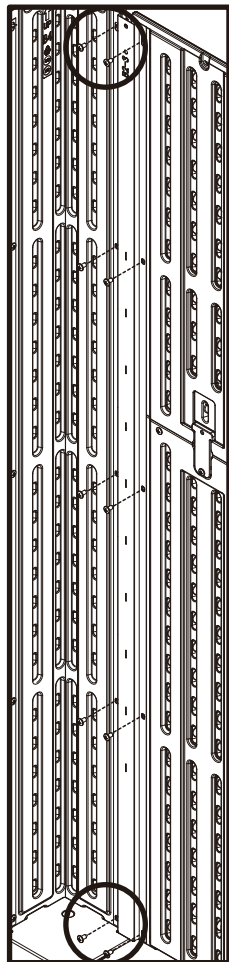
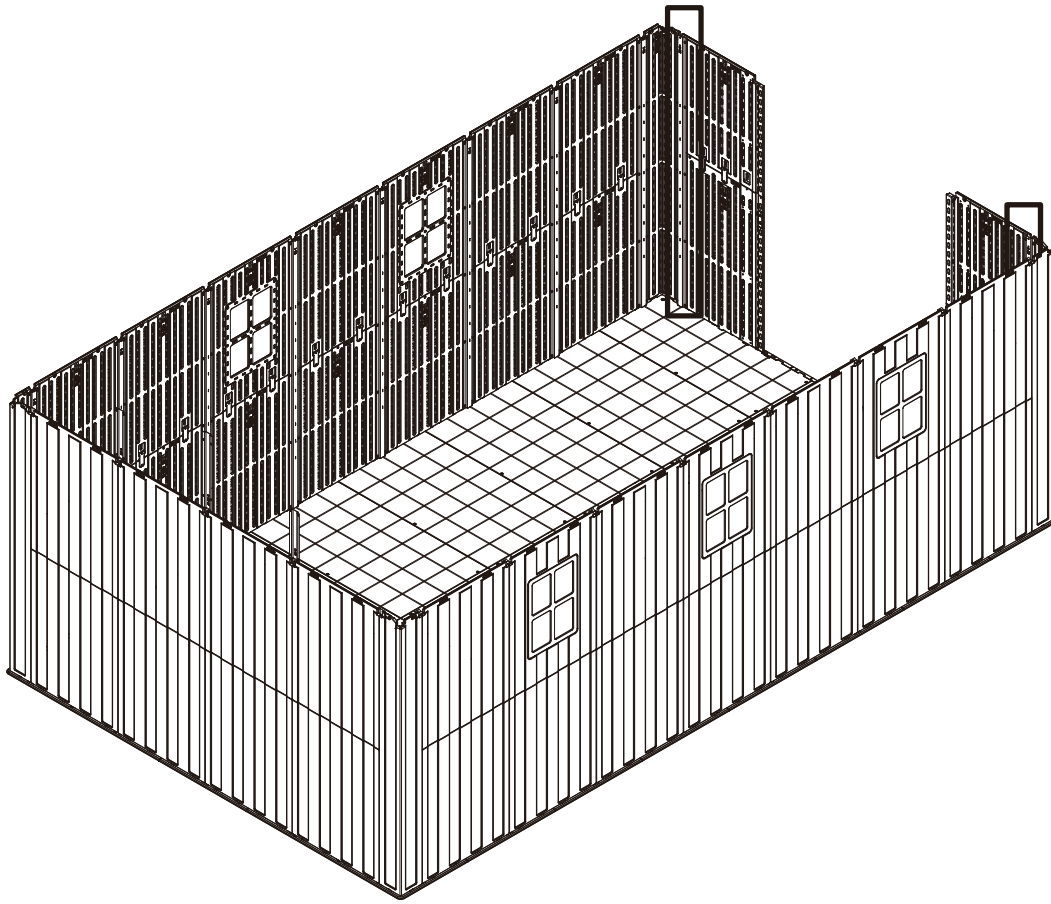
# STEP 28




# STEP 29



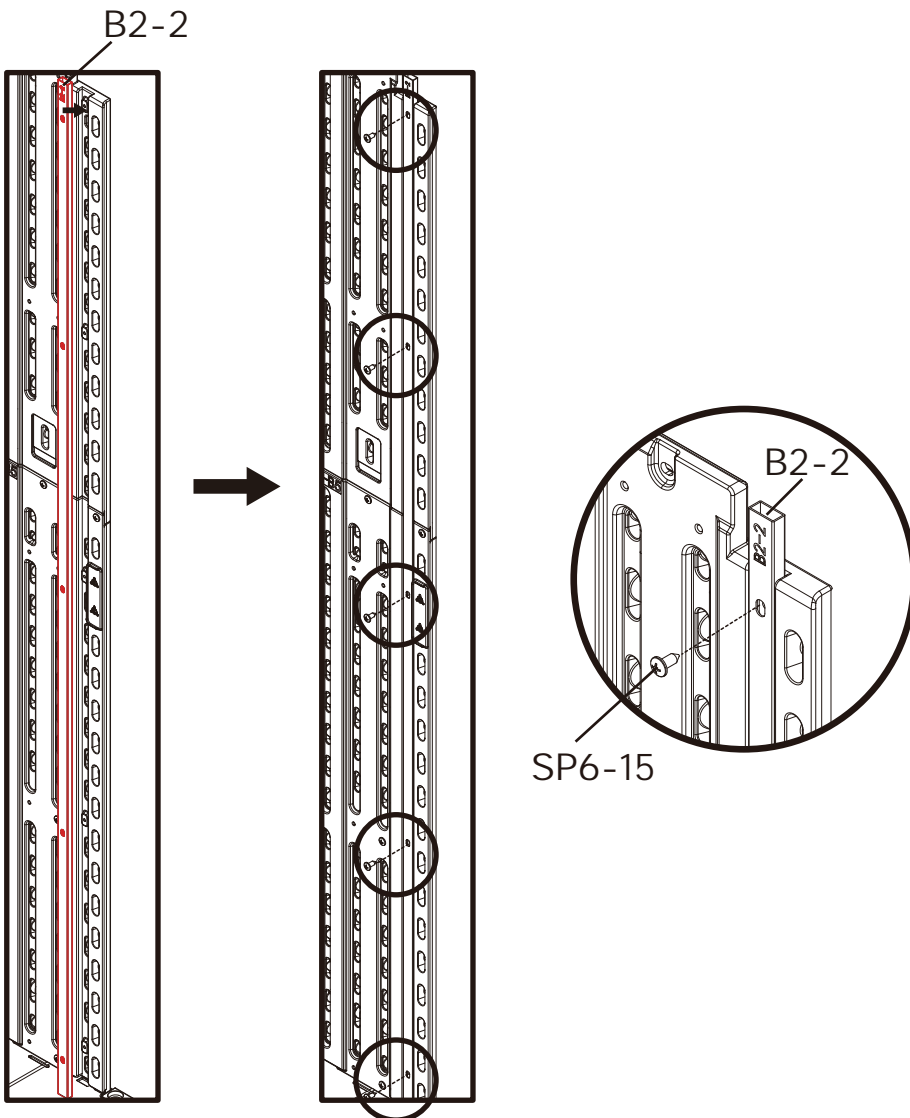
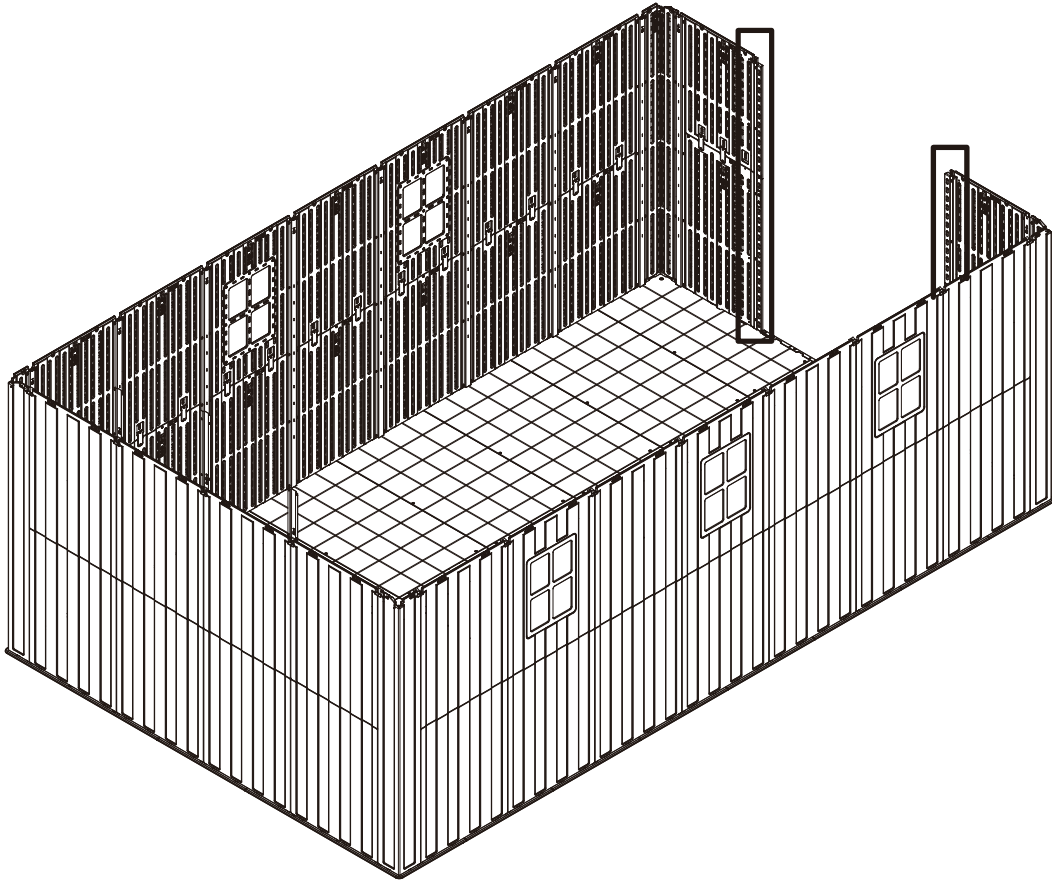
# STEP 30




SP6-15

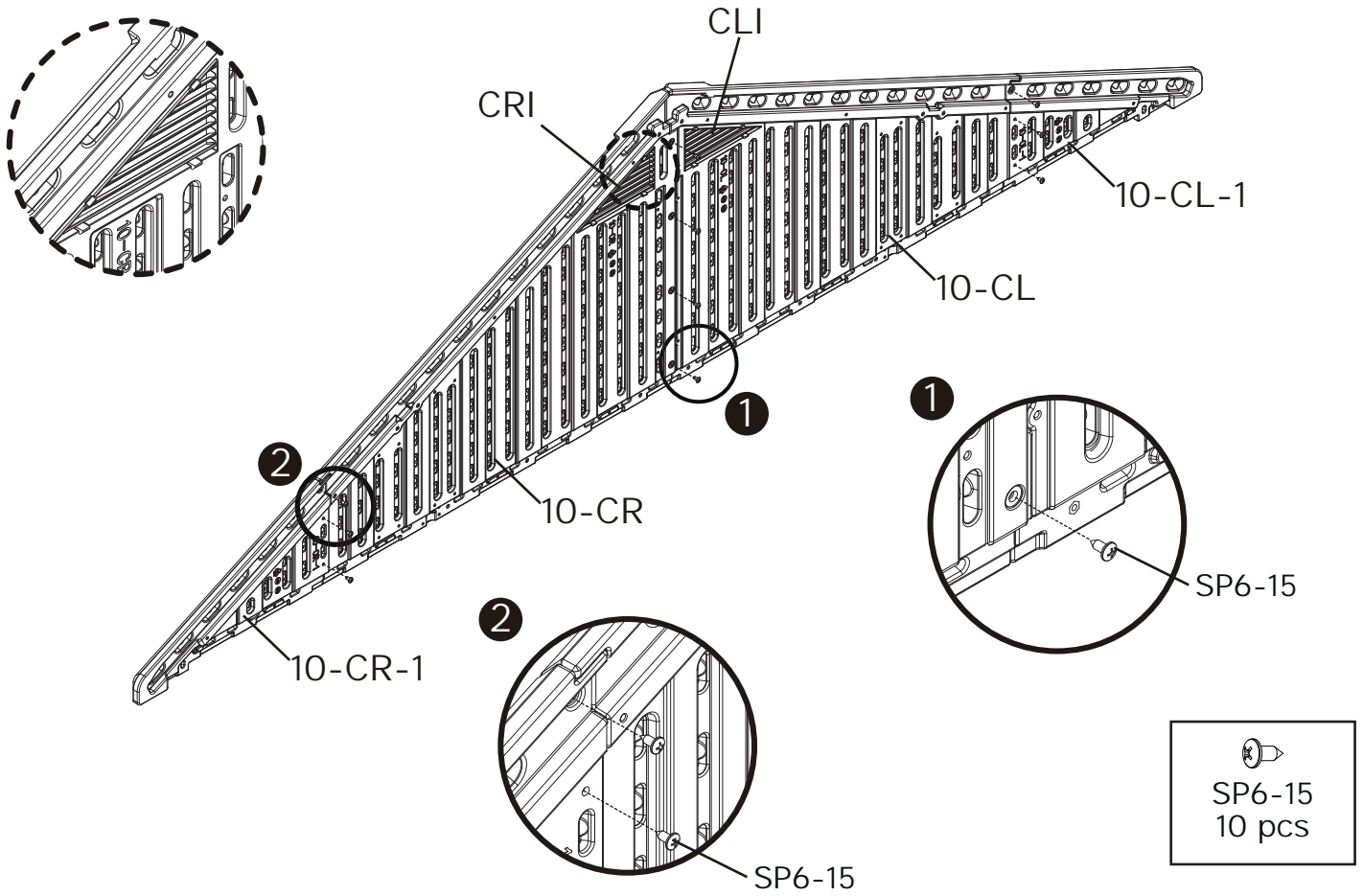
  
SP6-15  
20 pcs

# STEP 31



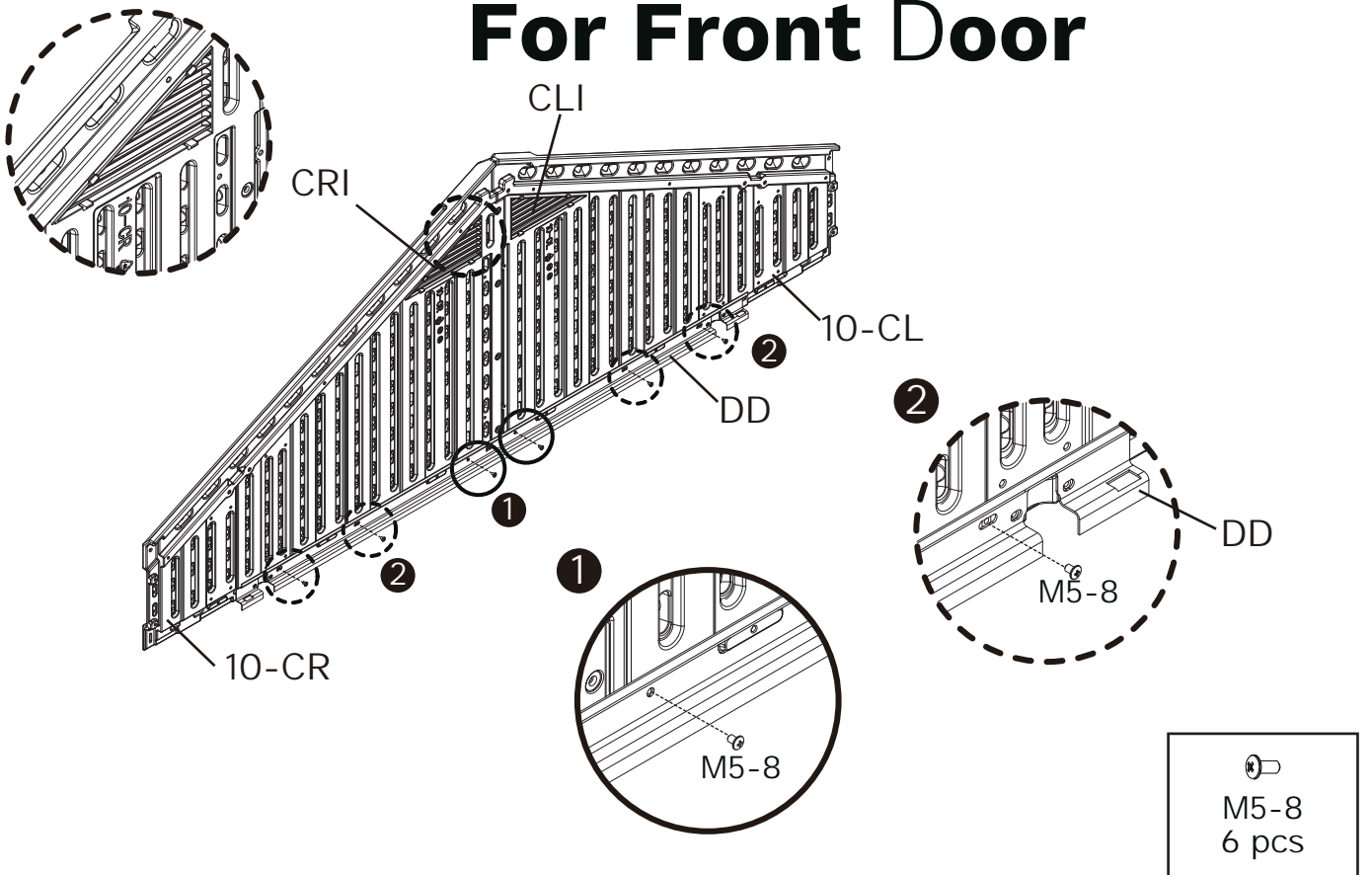
  
SP6-15  
10 pcs

# STEP 32



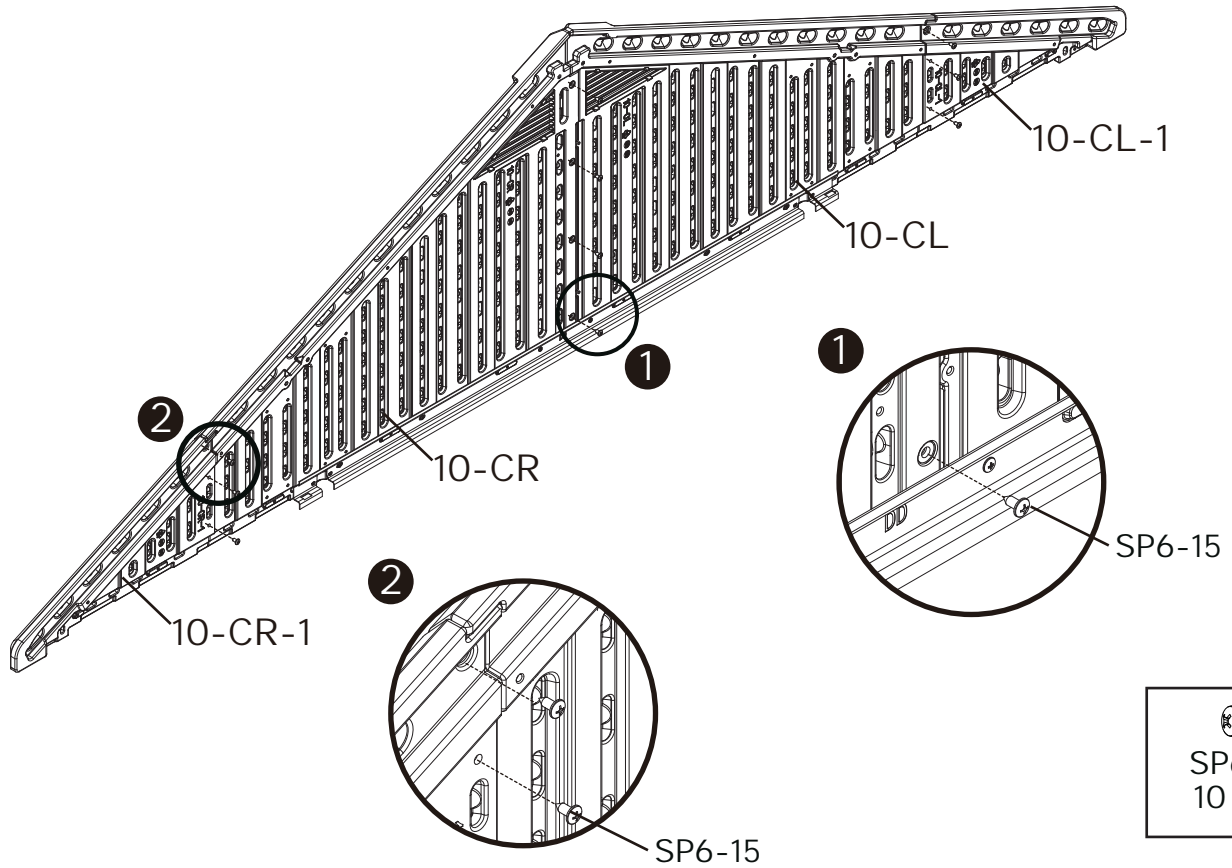
# STEP 33

## For Front Door

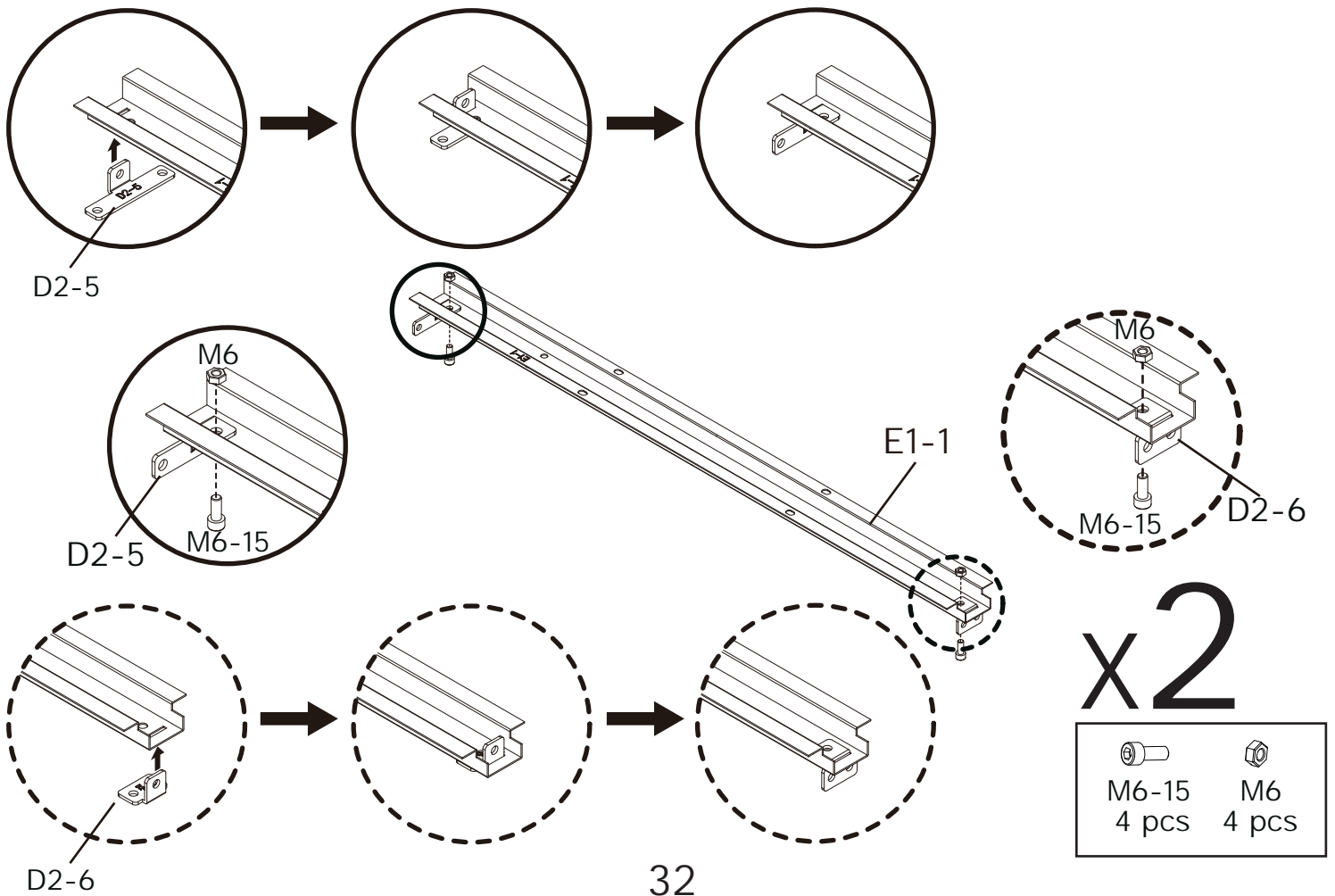


# STEP 34

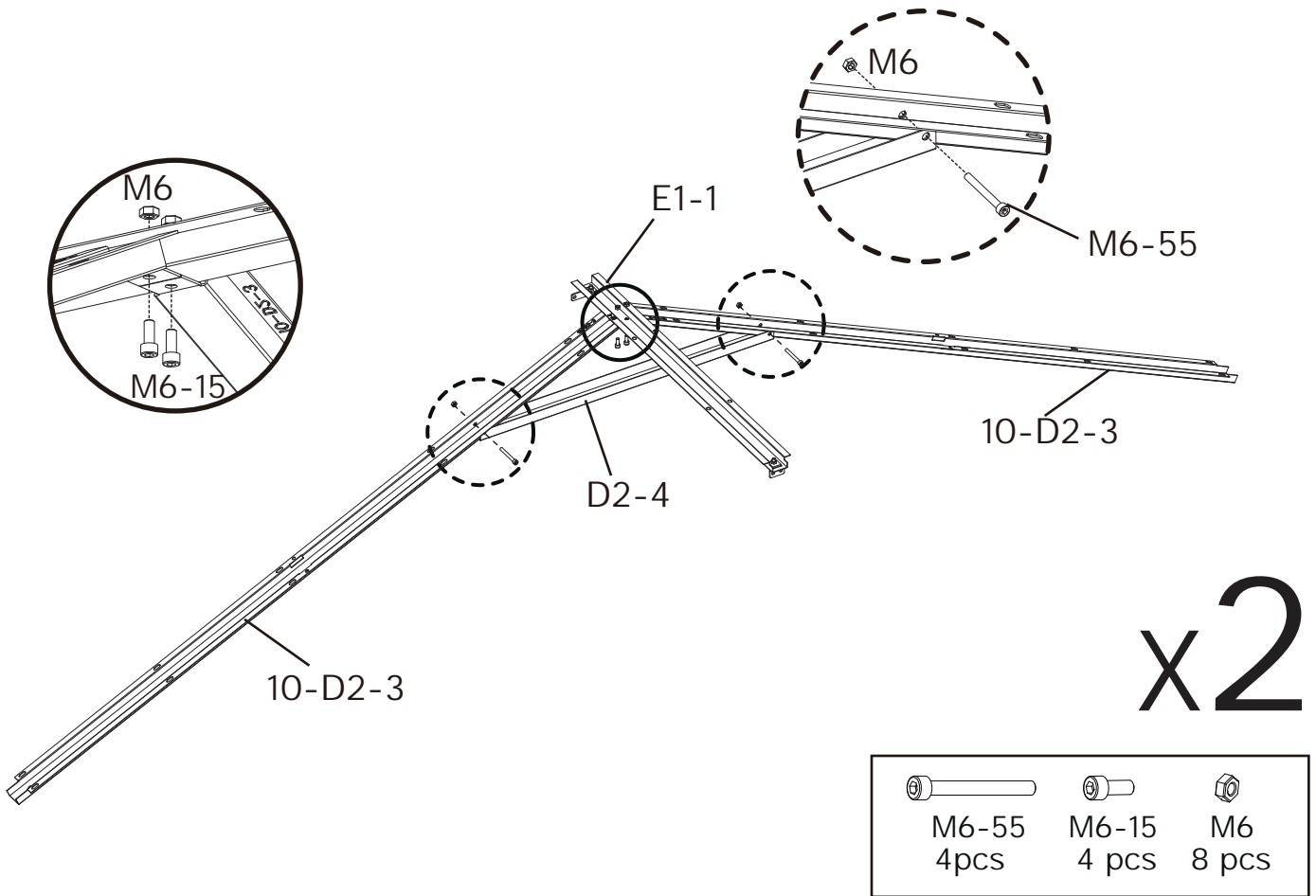
## For Front Door



# STEP 35

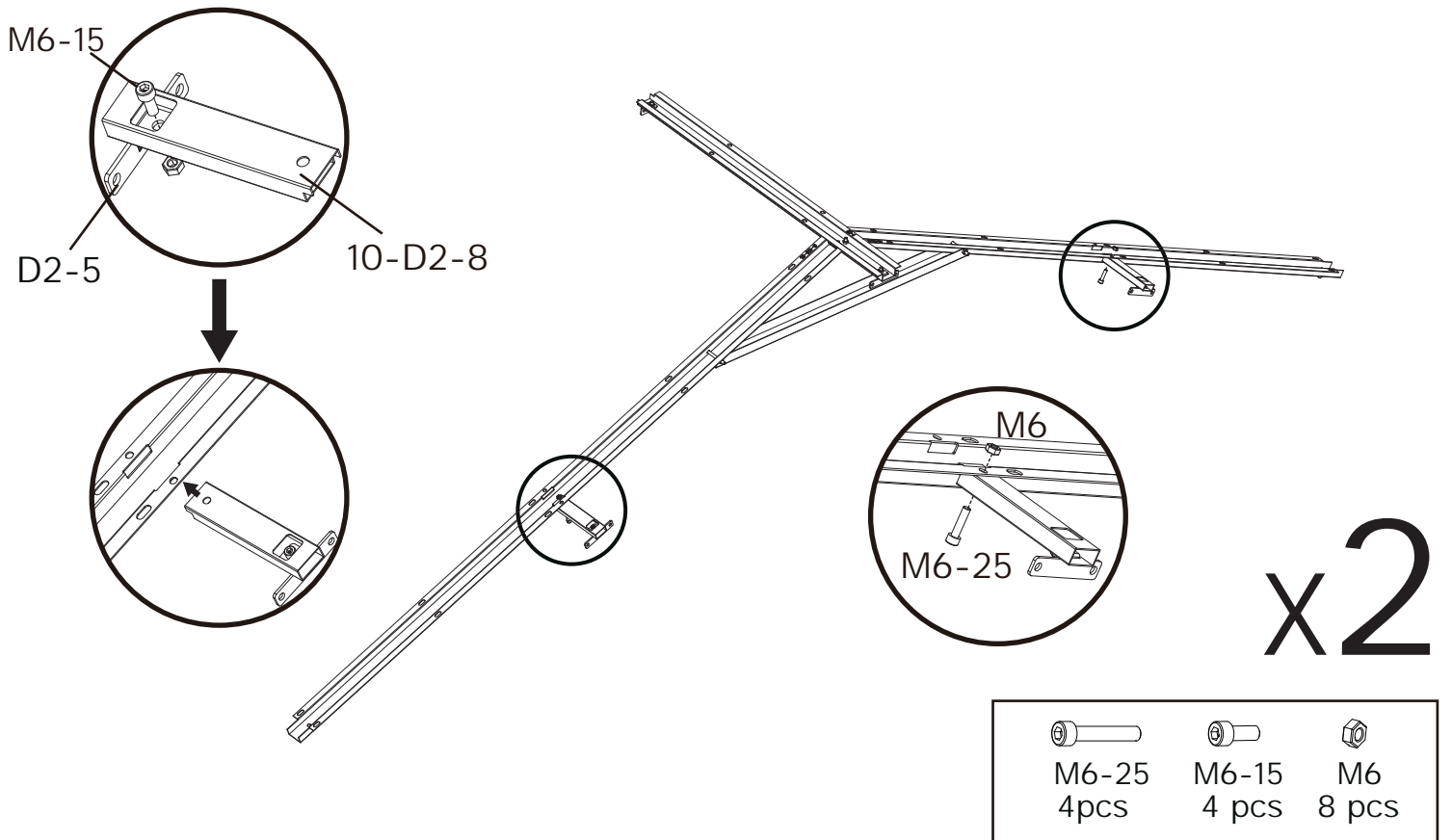


# STEP 36

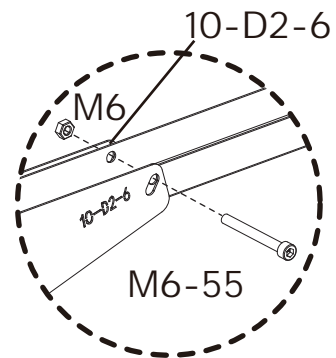
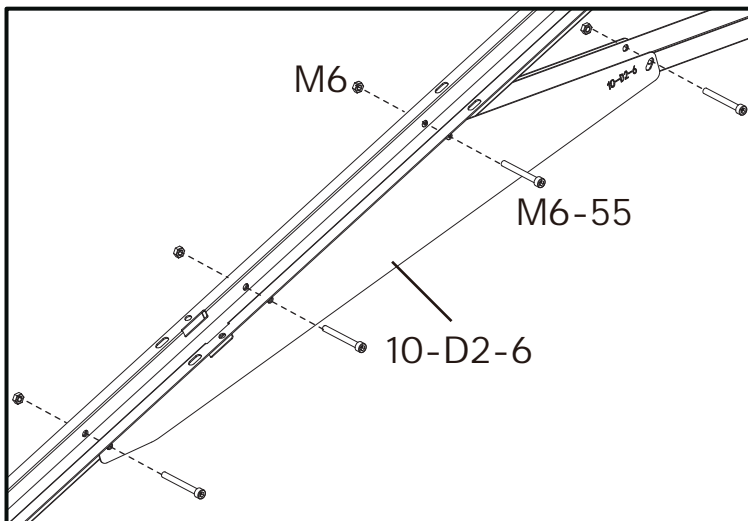
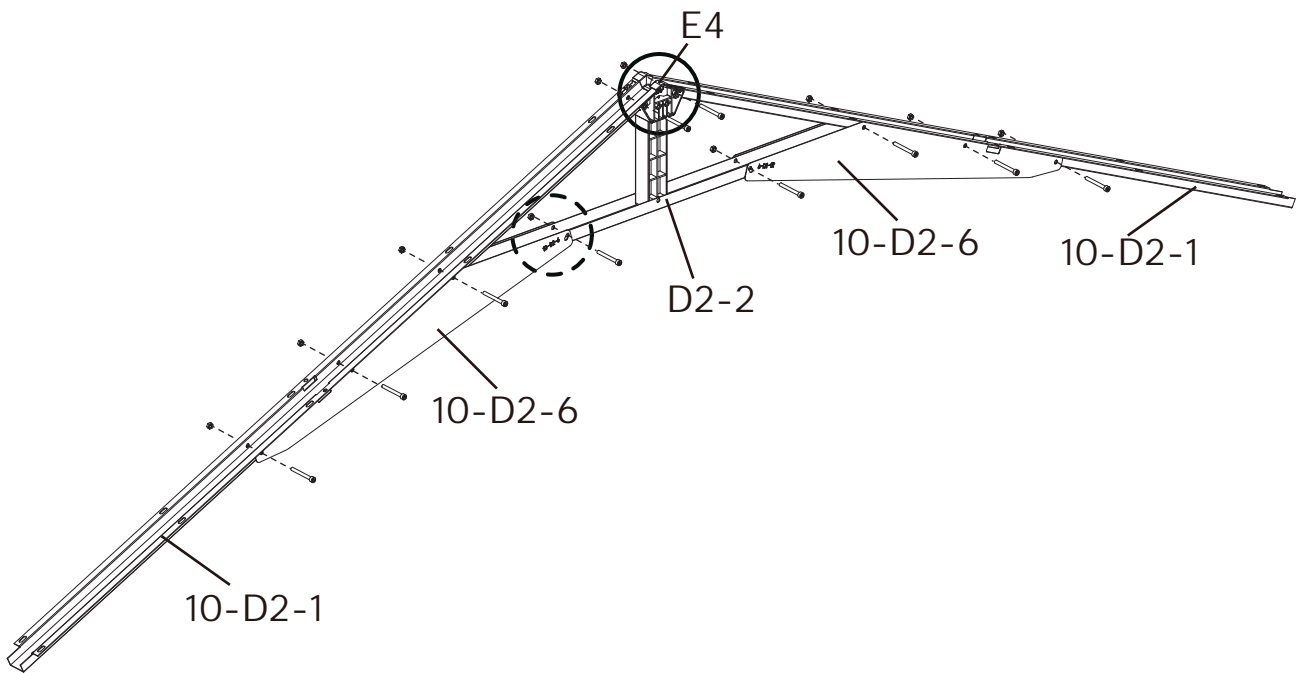
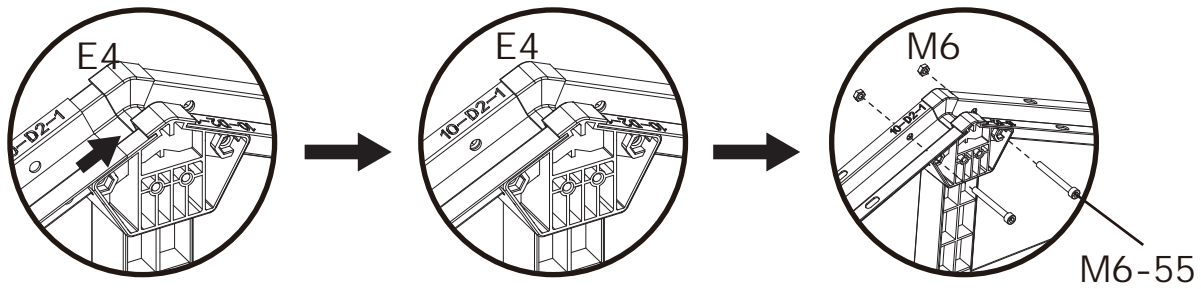


# STEP 37

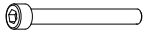

Refer to STEP 35 to install the D2-5.



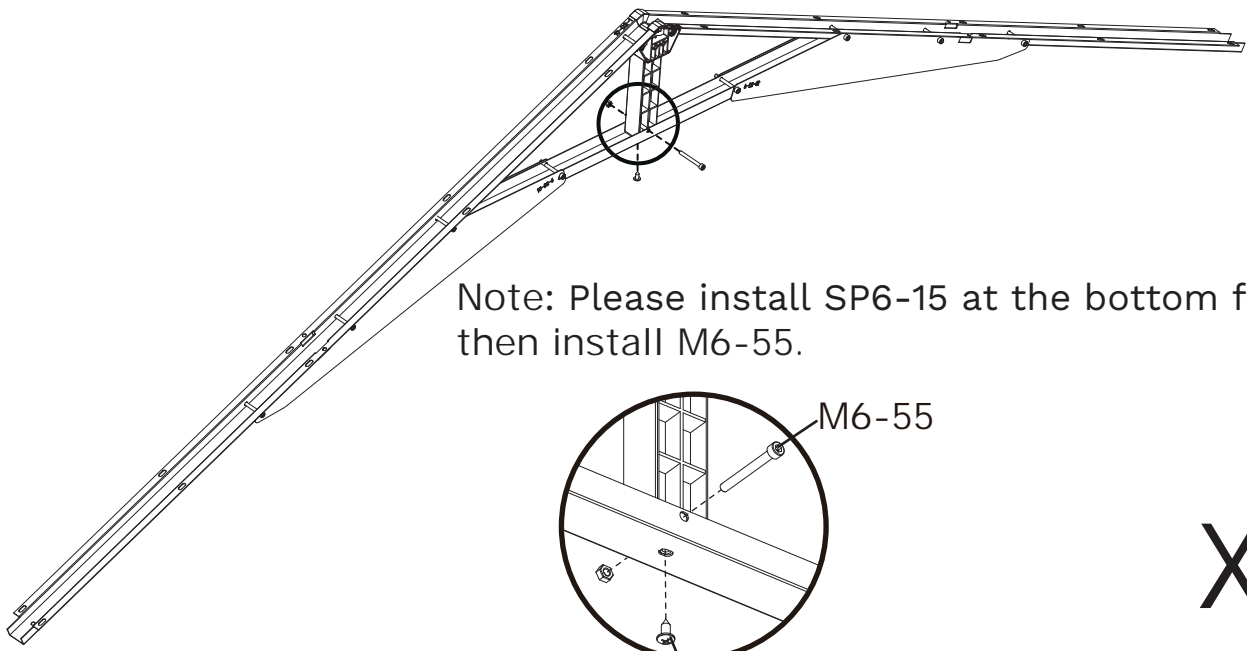
# STEP 38



x6

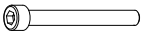


	
M6-55	M6
60 pcs	60 pcs

# STEP 39

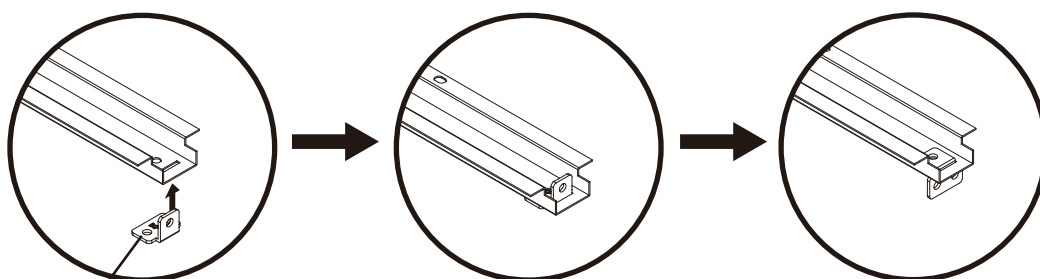
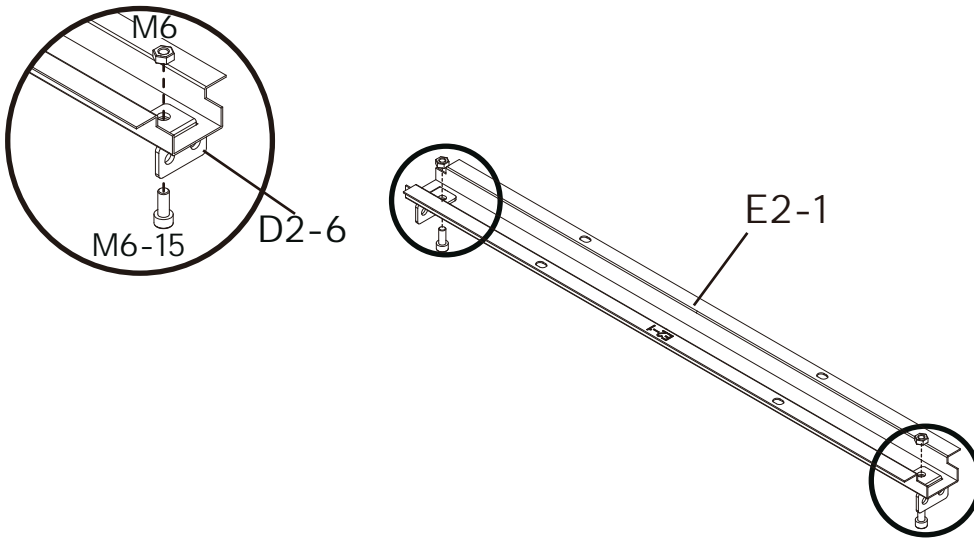


Note: Please install SP6-15 at the bottom first, then install M6-55.



# x6

		
M6-55 6 pcs	SP6-15 6 pcs	M6 6 pcs

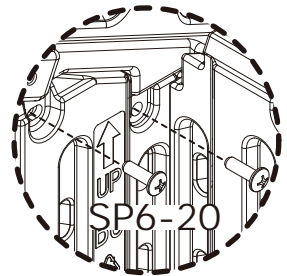
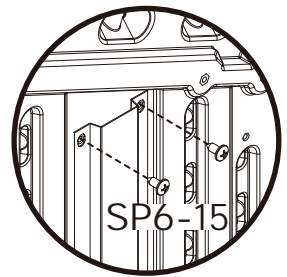
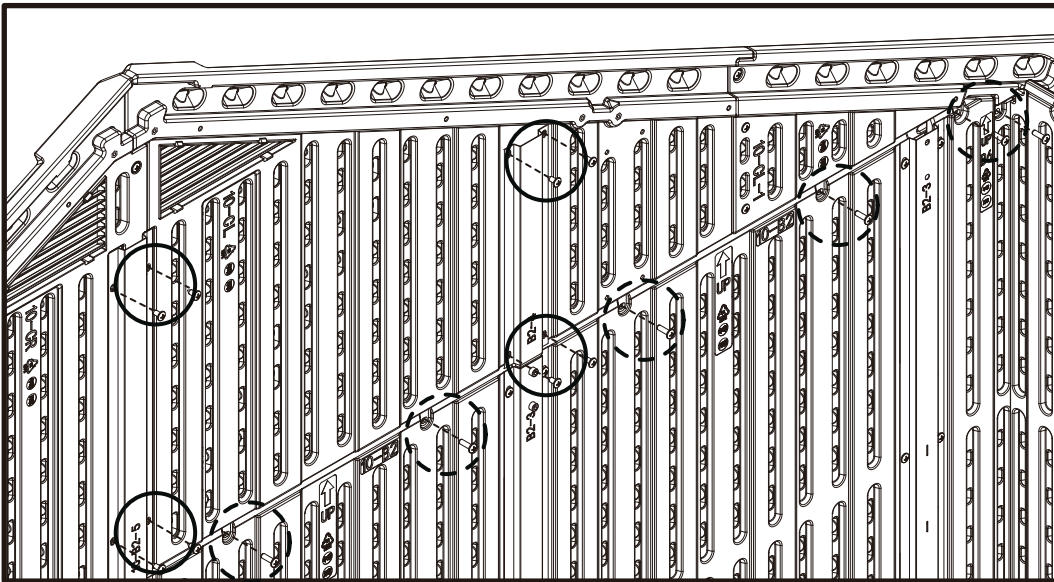
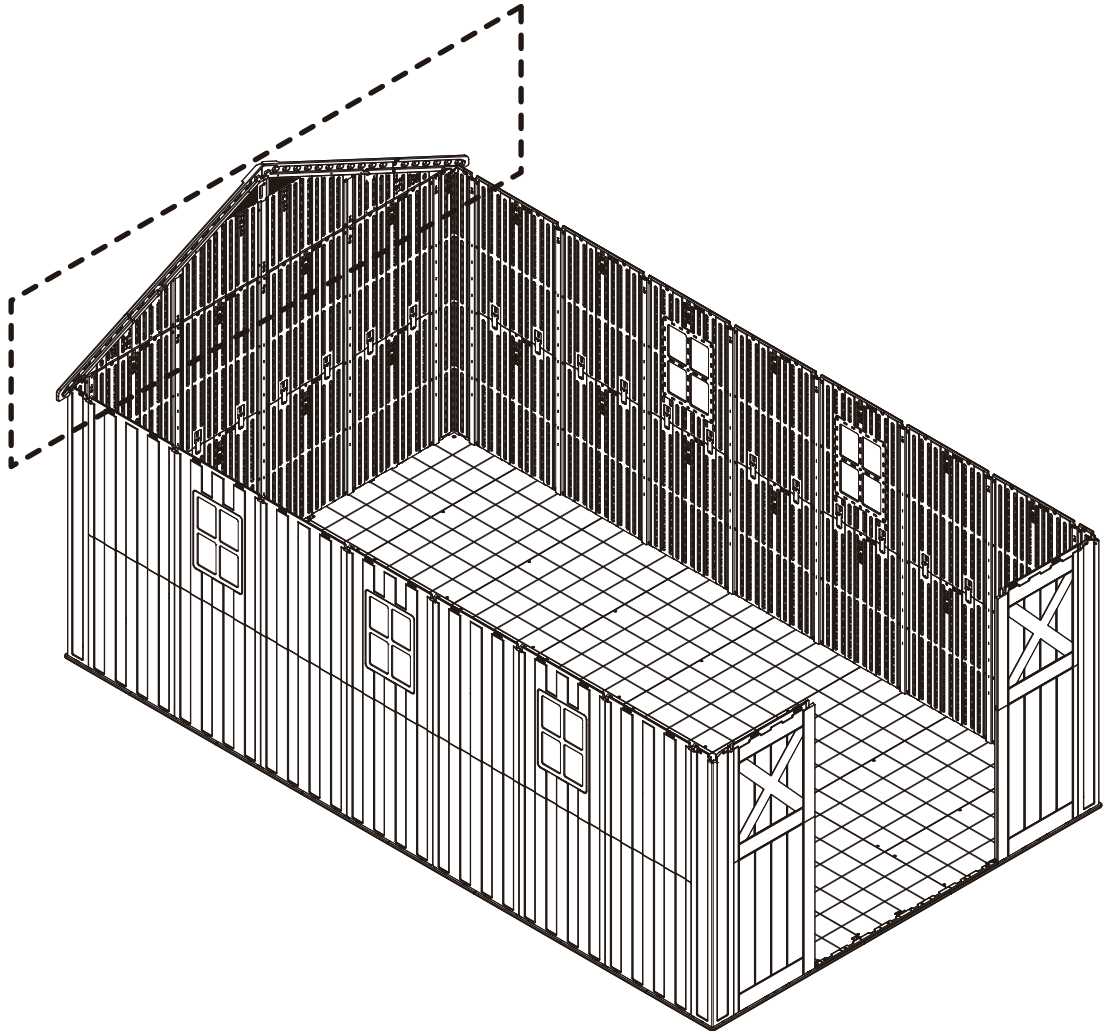
# STEP 40

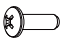
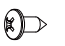


# x5

	
M6-15 10 pcs	M6 10 pcs

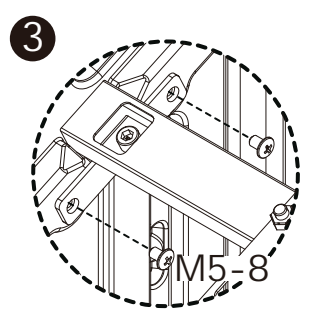
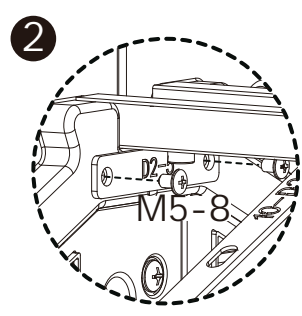
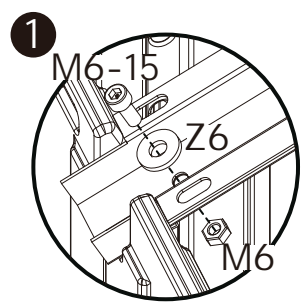
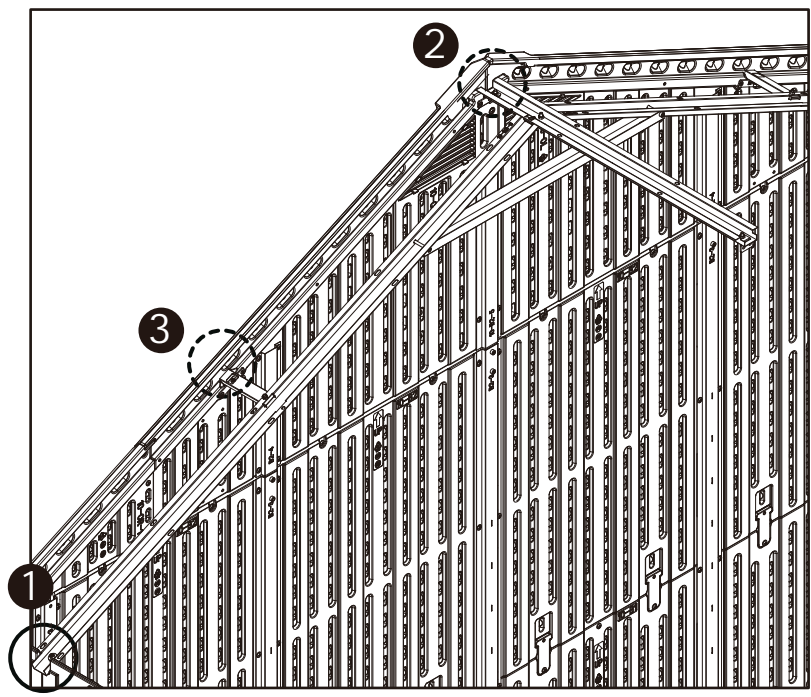
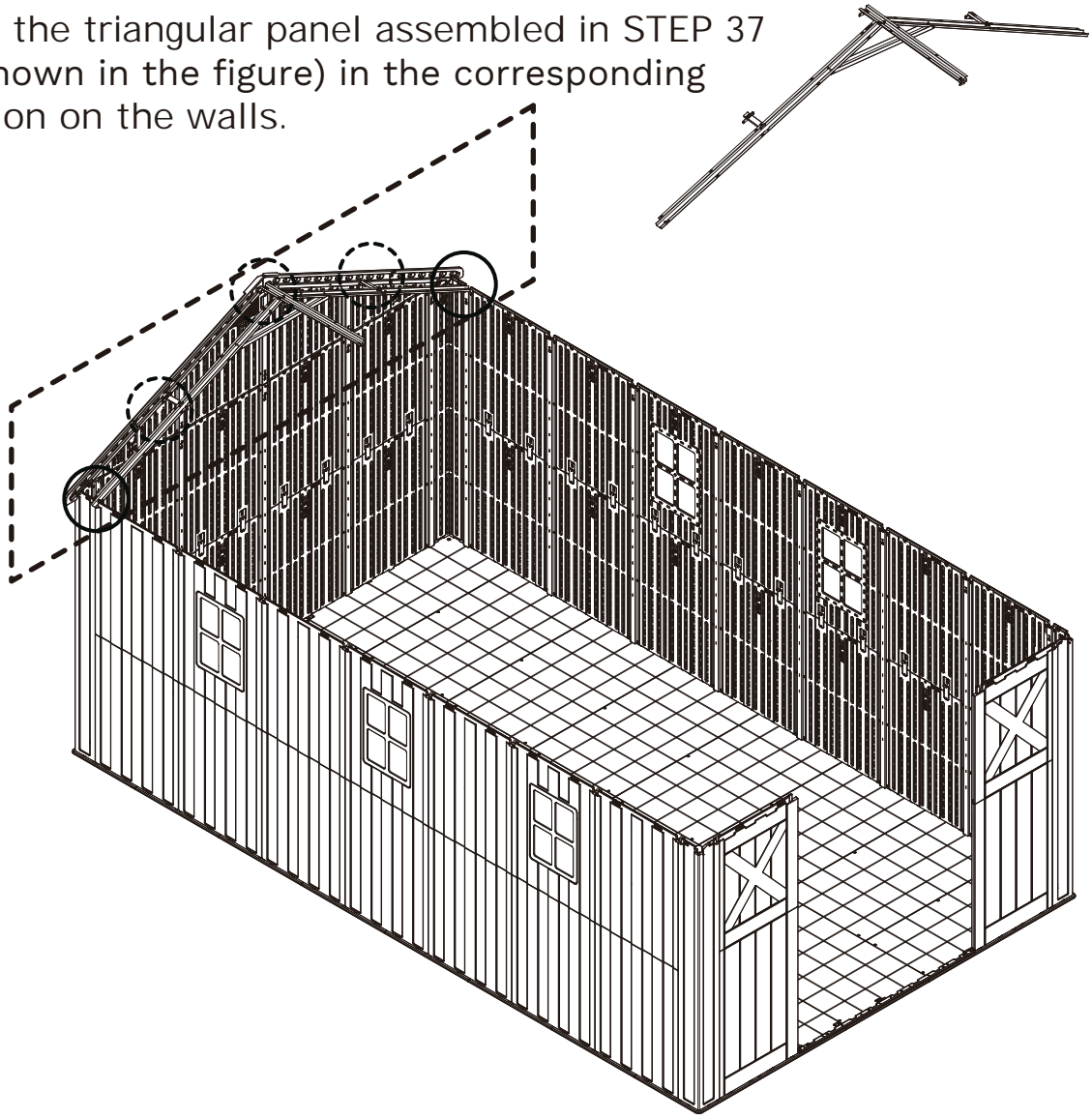
# STEP 41

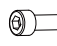





	
SP6-20	SP6-15
12 pcs	12 pcs

# STEP 42

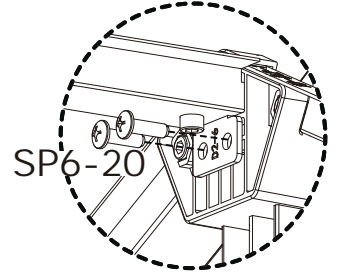
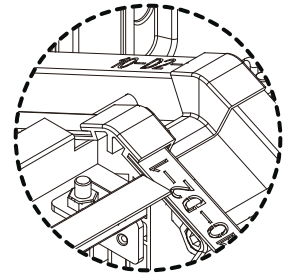
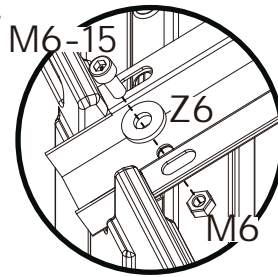
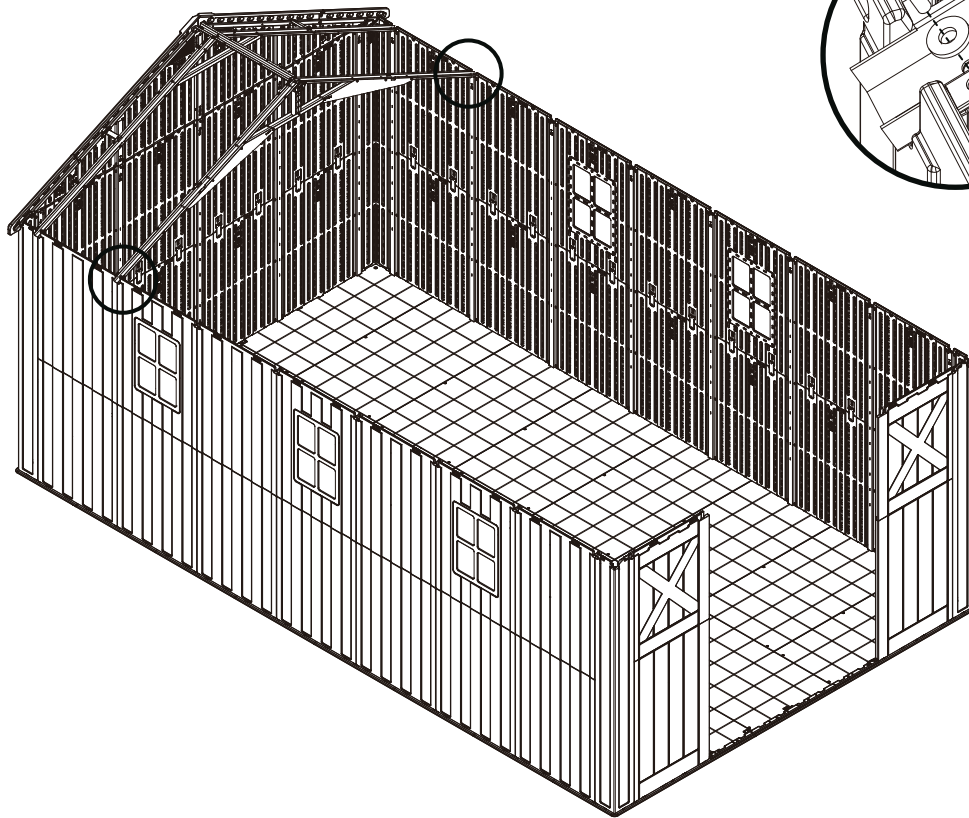
Place the triangular panel assembled in STEP 37 (as shown in the figure) in the corresponding position on the walls.



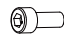



			
M6-15 2 pcs	M6 2 pcs	Z6 2 pcs	M5-8 6 pcs

## STEP 43

Place the triangular panel assembled in STEP 38 in the corresponding position on the walls.

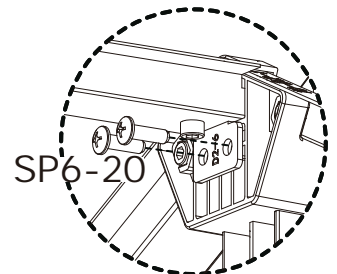
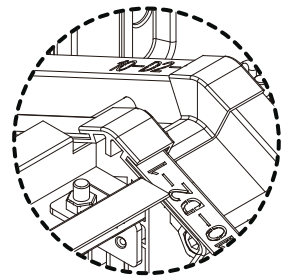
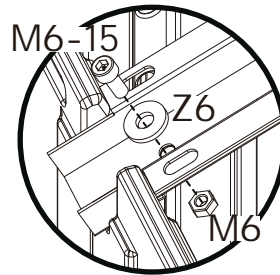
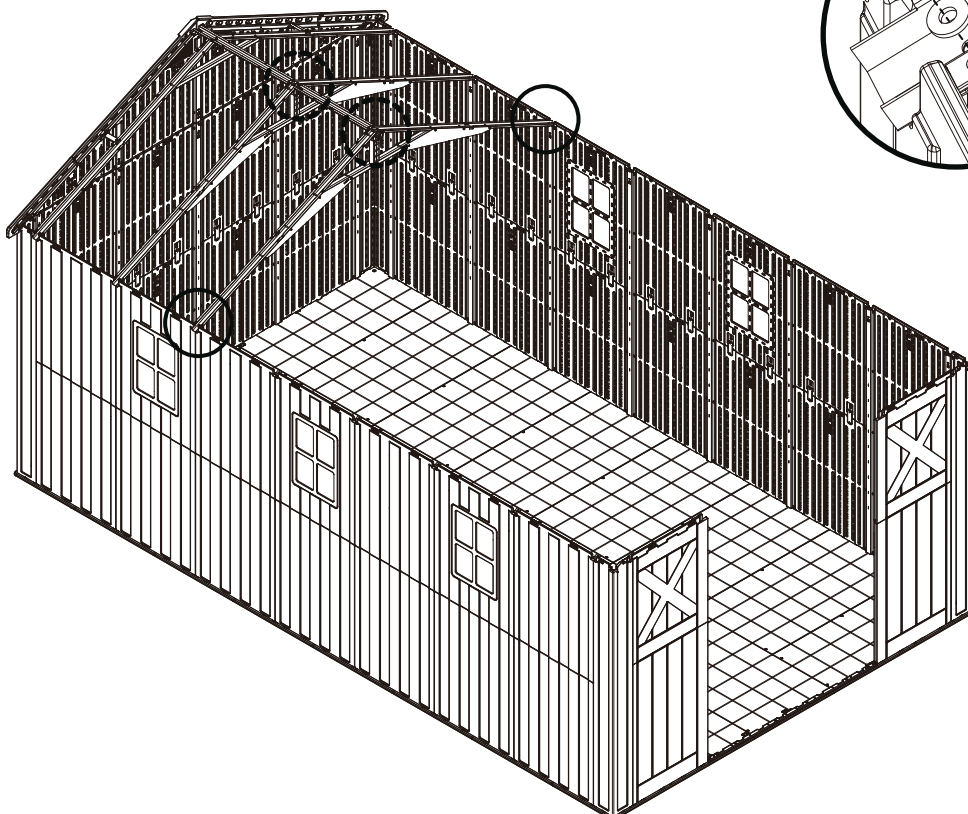


Note: Before installing the screws, please make sure that E1-1 is snapped into the corresponding position.)

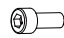



			
M6-15	M6	Z6	SP6-20
2 pcs	2 pcs	2 pcs	2 pcs

## STEP 44

Install E2-1 first and then place the triangular panel assembled in STEP 38 in the corresponding position on the wall.

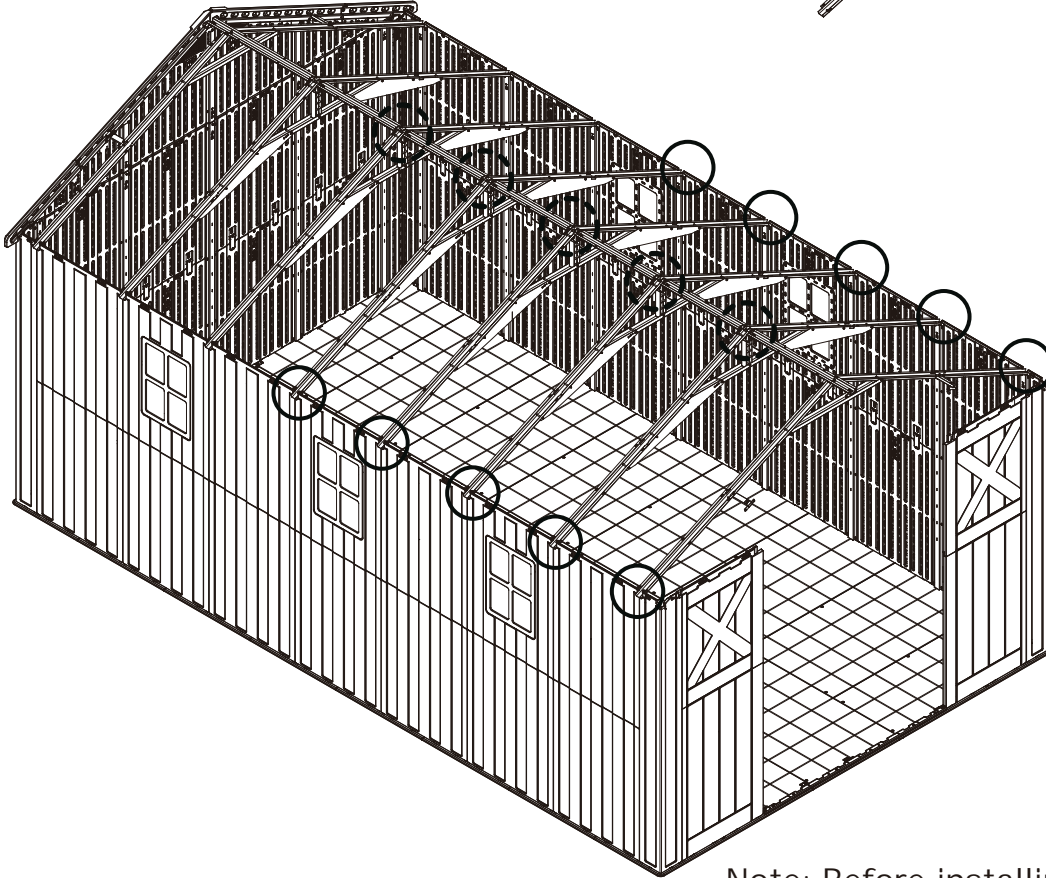
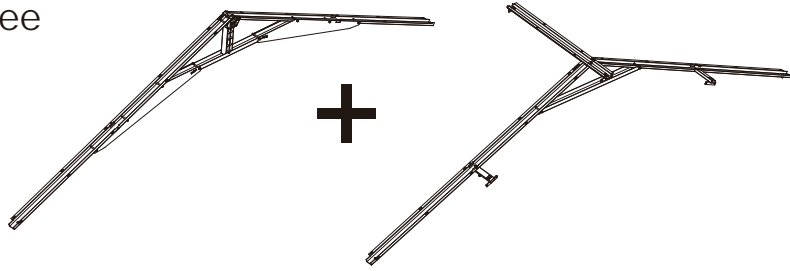


Note: Before installing the screws, please make sure that E2-1 is snapped into the corresponding position.)

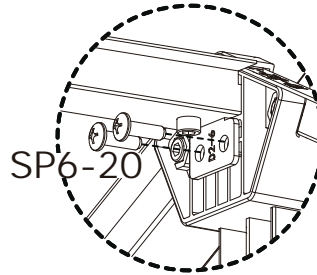
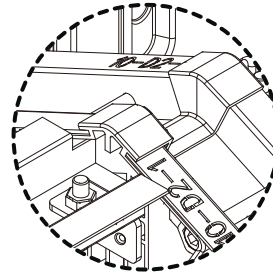
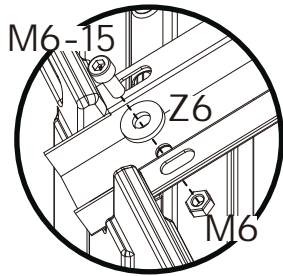
			
M6-15	M6	Z6	SP6-20
2 pcs	2 pcs	2 pcs	4 pcs





# STEP 45

Install the remaining three triangular panels in turn (as shown in the figure).



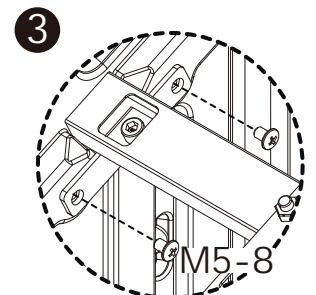
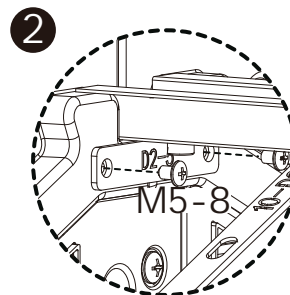
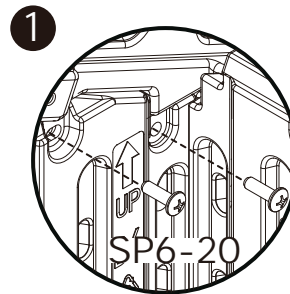
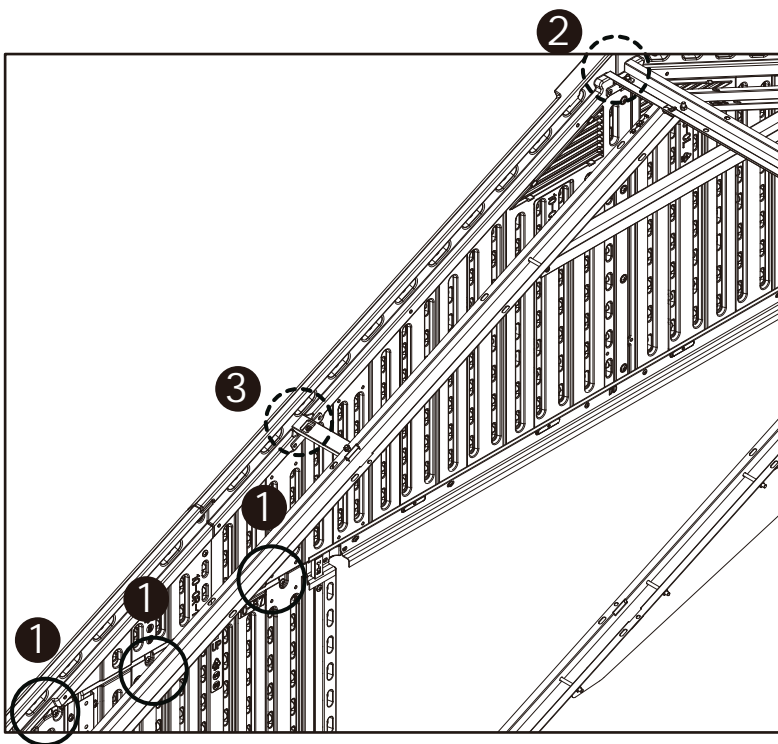
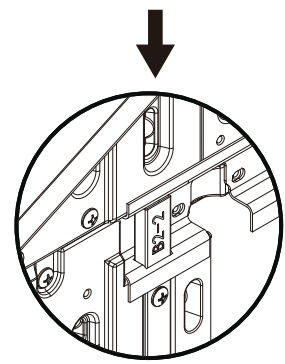
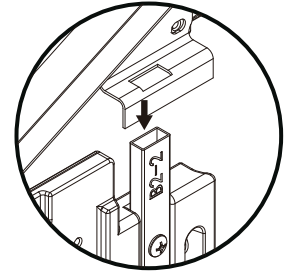
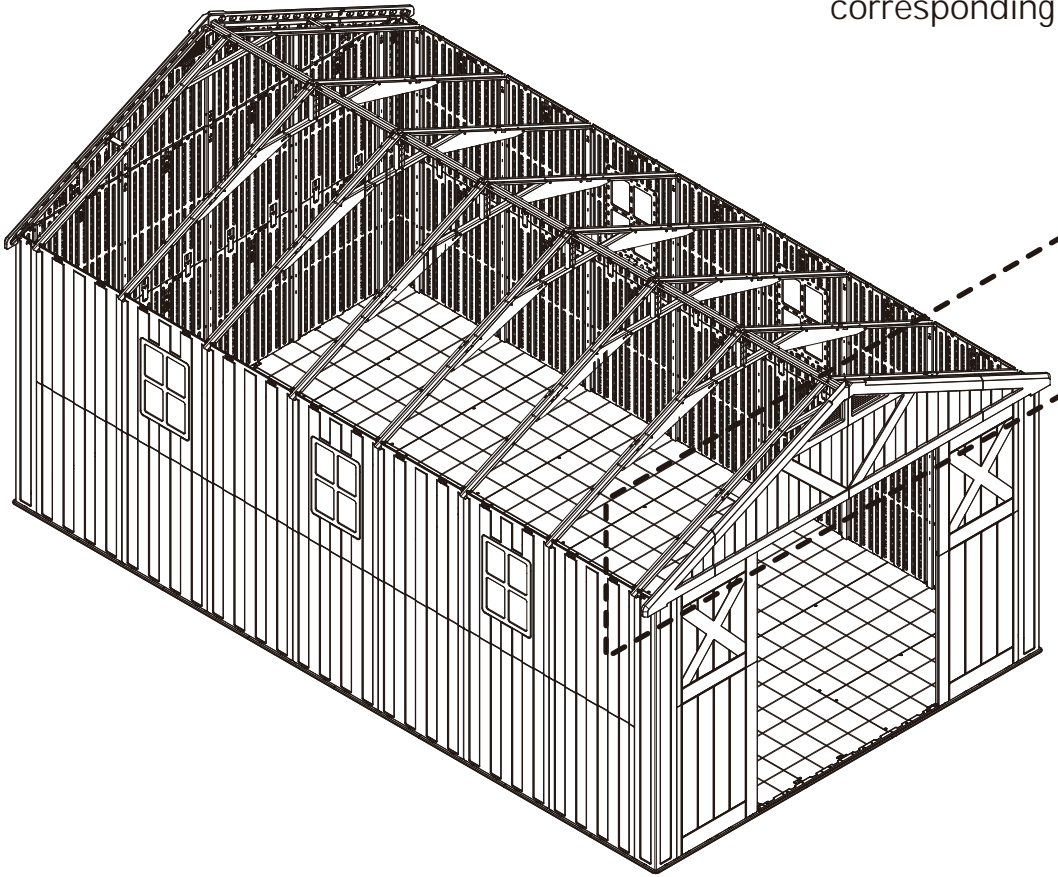
Note: Before installing the screws, please make sure that E1-1/E2-1 is snapped into the corresponding position.

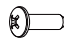



			
M6-15	M6	Z6	SP6-20
10 pcs	10 pcs	10 pcs	18 pcs

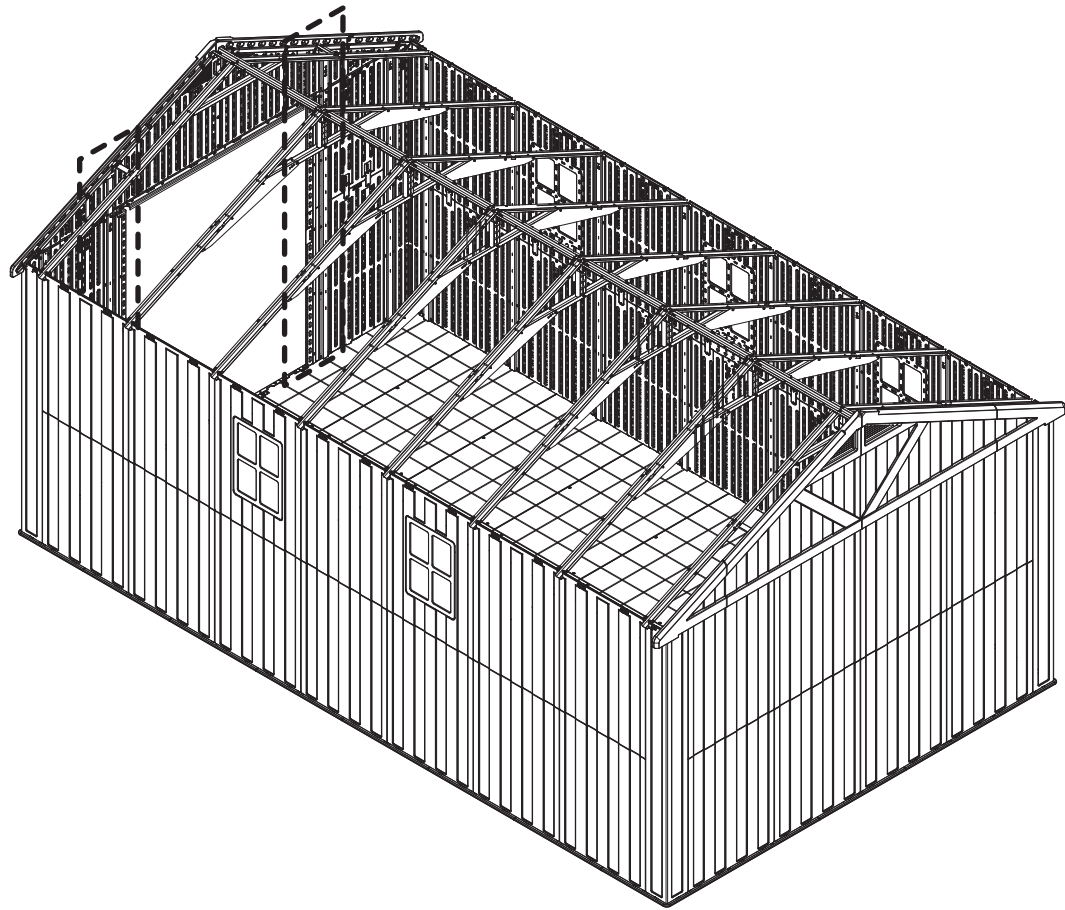
# STEP 46

Place the assembled triangle panel on the corresponding position of the wall panel.

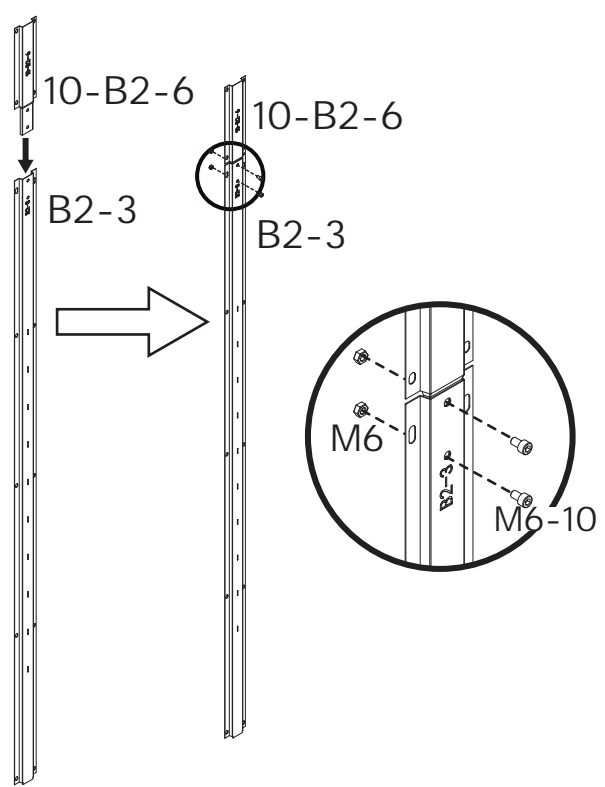


	
SP6-20	M5-8
8 pcs	6 pcs

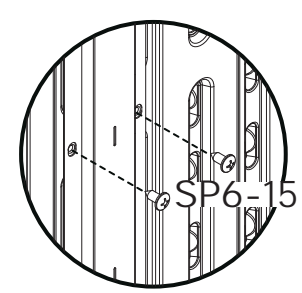
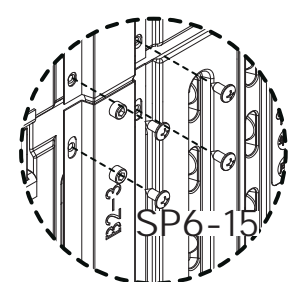
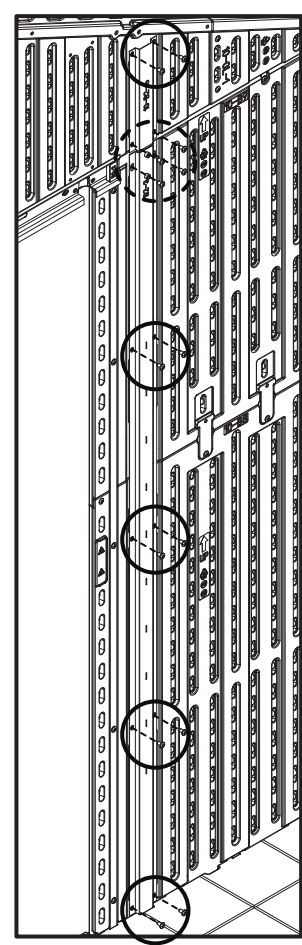
# STEP 47



1



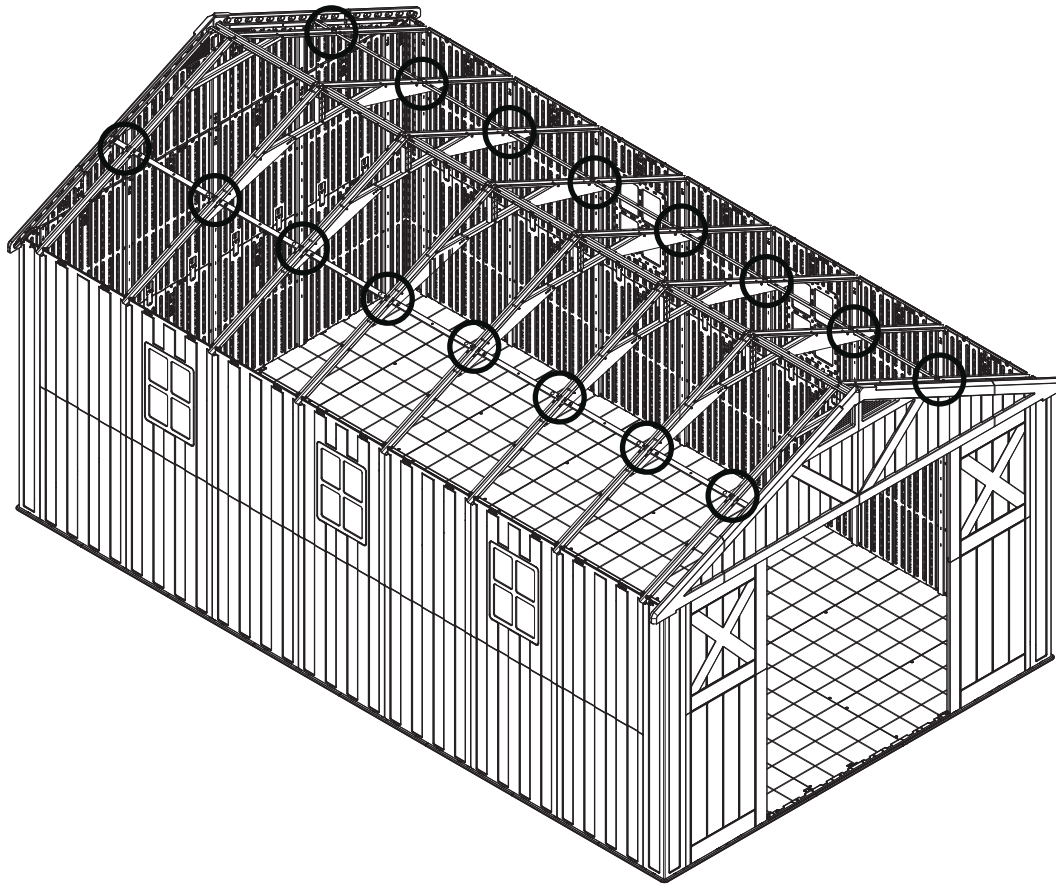
2



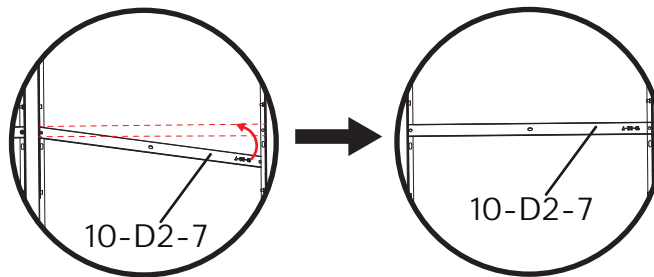
x2

M6-10	M6	SP6-15
4 pcs	4 pcs	28 pcs

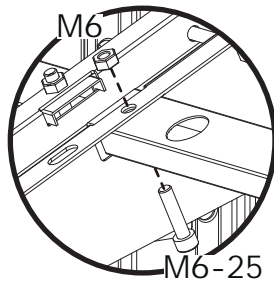
# STEP 48

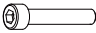



1. Place one end of the 10-D2-7 into the corresponding position and tilt the other end into place.

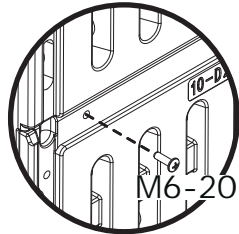
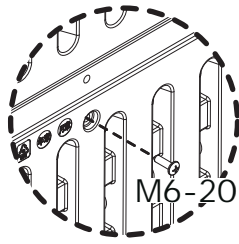
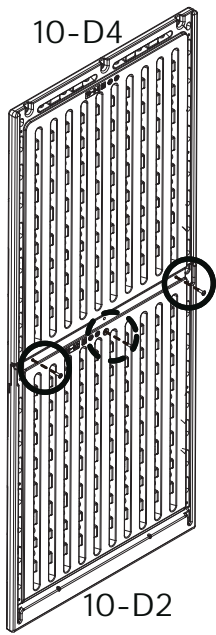


2. Once the holes are aligned, install M6-25 and M6.

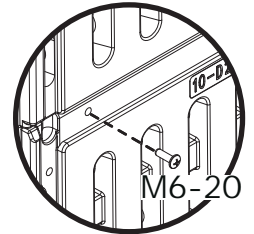
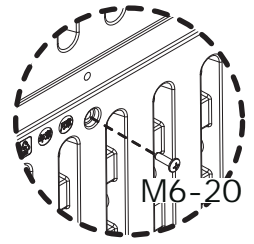
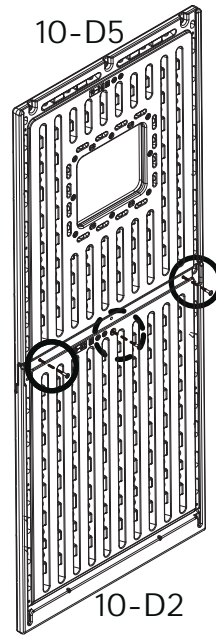


	
M6-25	M6
28 pcs	28 pcs

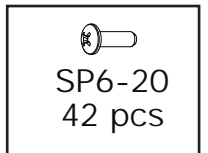
# STEP 49



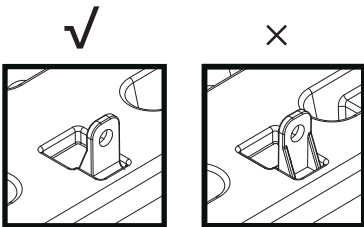
x4



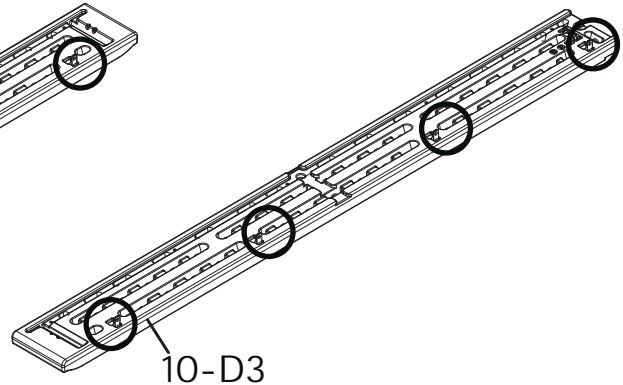
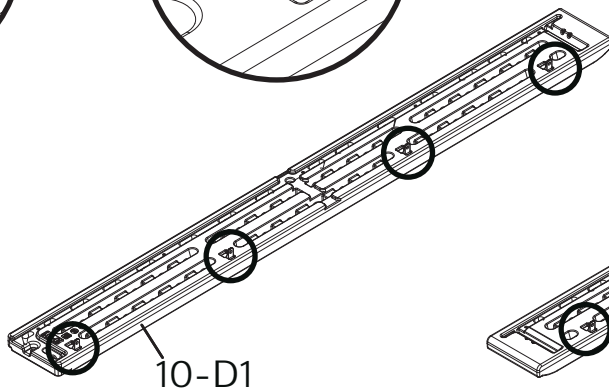
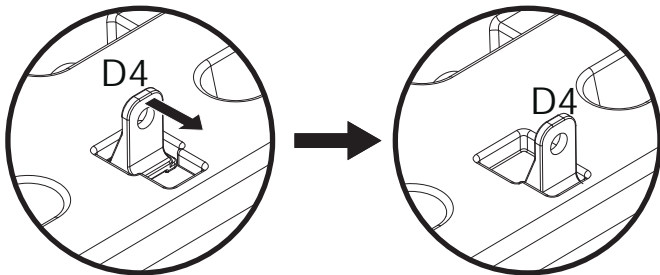
x10



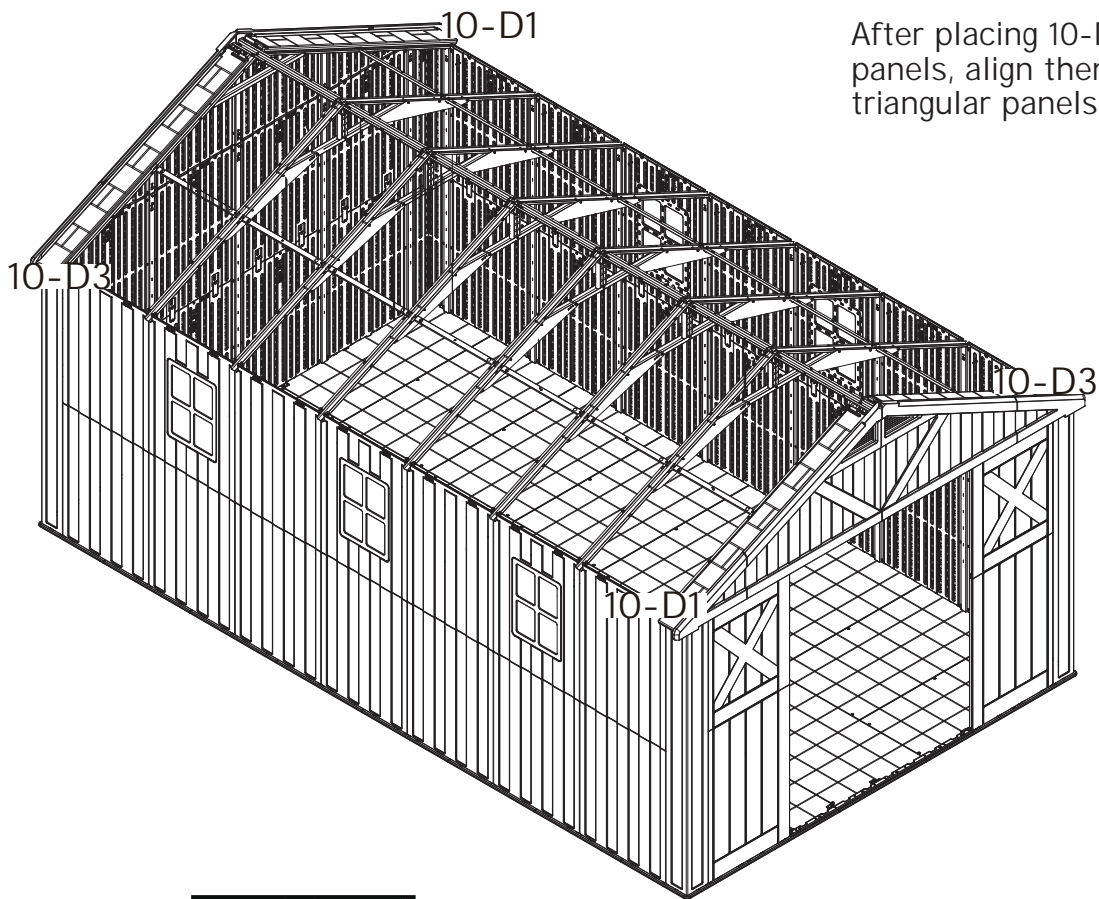
# STEP 50



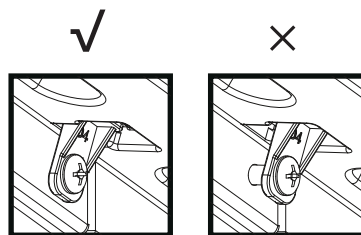
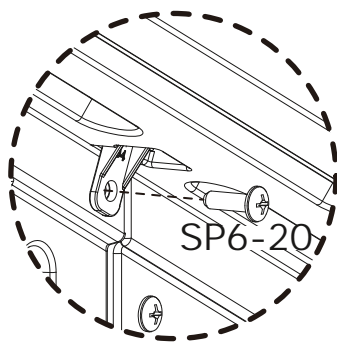
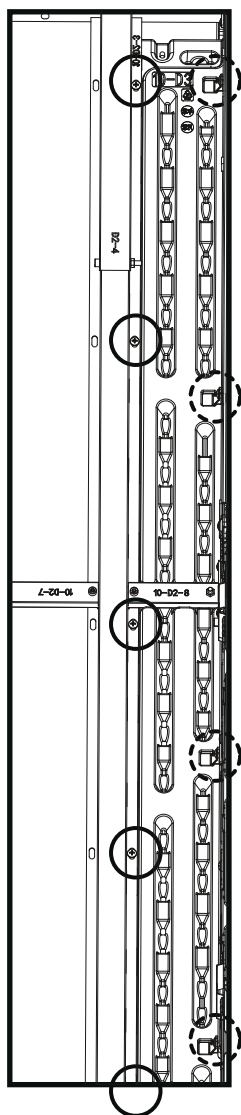
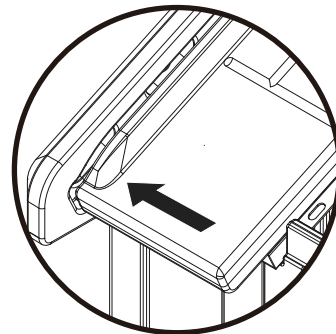
Note the mounting direction of D4.



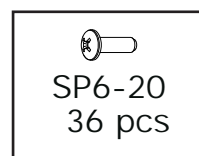
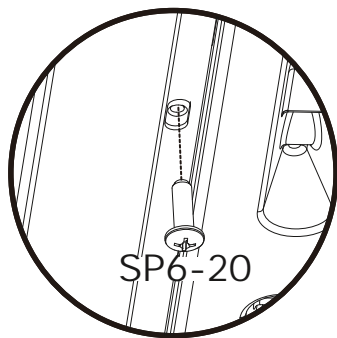
# STEP 51



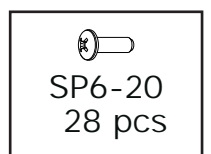
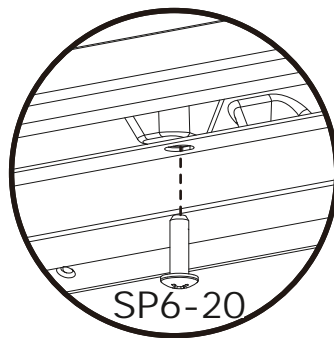
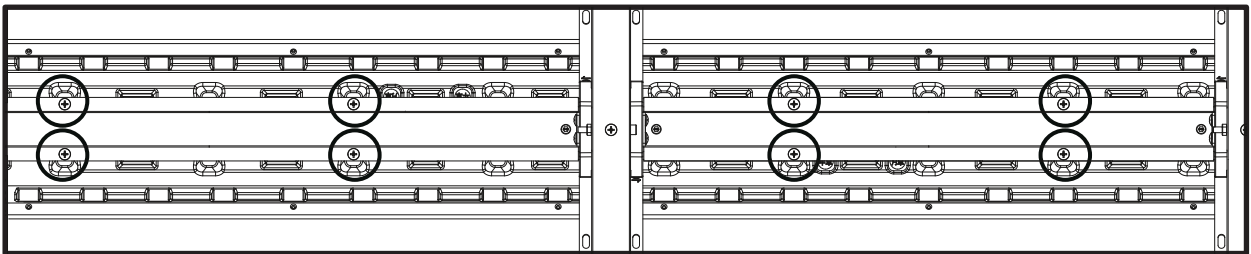
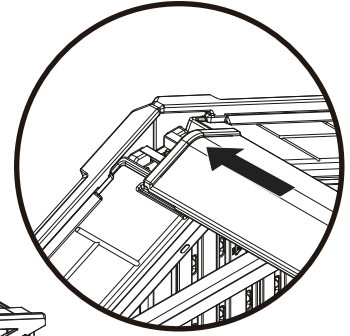
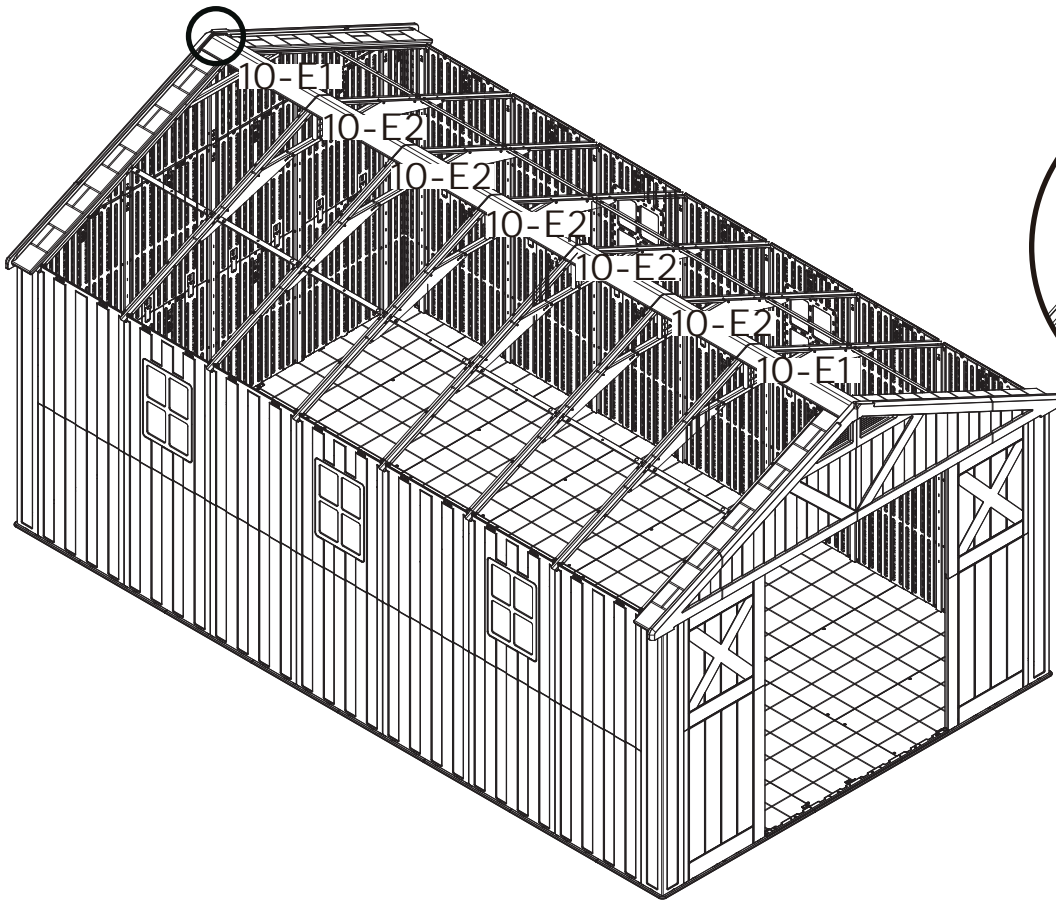
After placing 10-D1 and 10-D3 on the triangular panels, align them with the grooves of the triangular panels and push them forward.



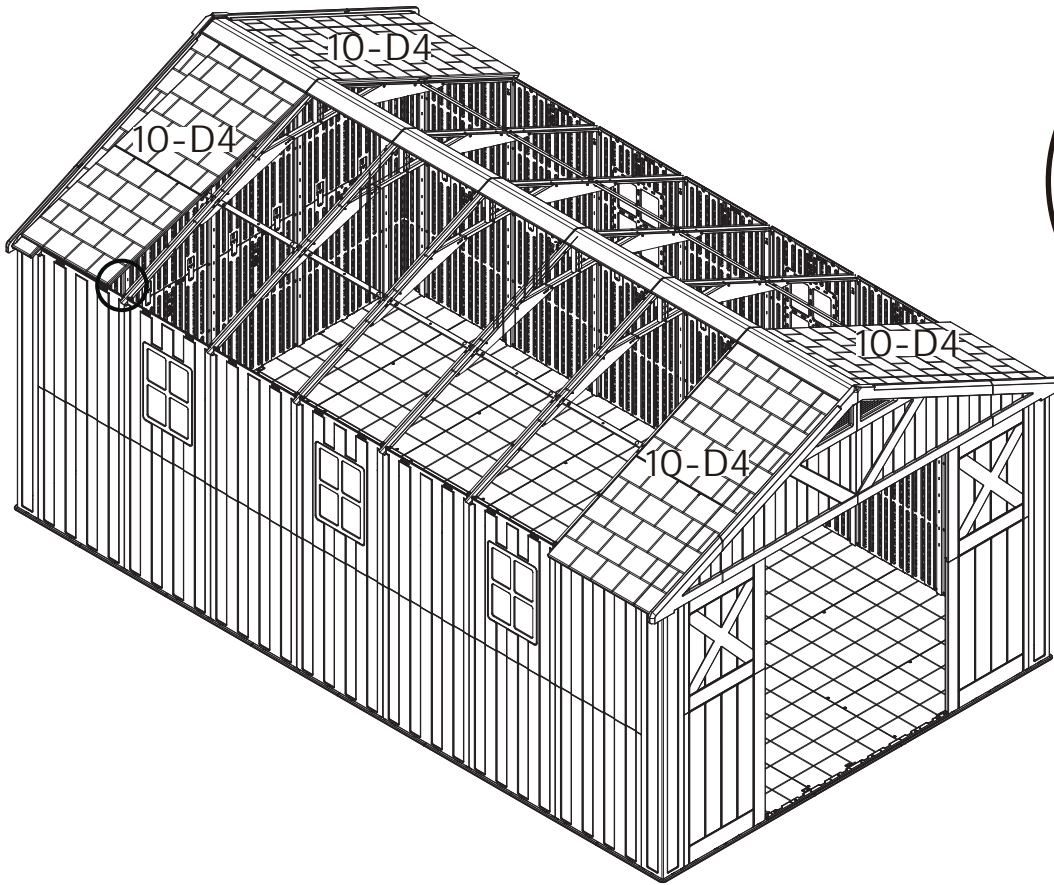
D4 should fit perfectly on the tripod.



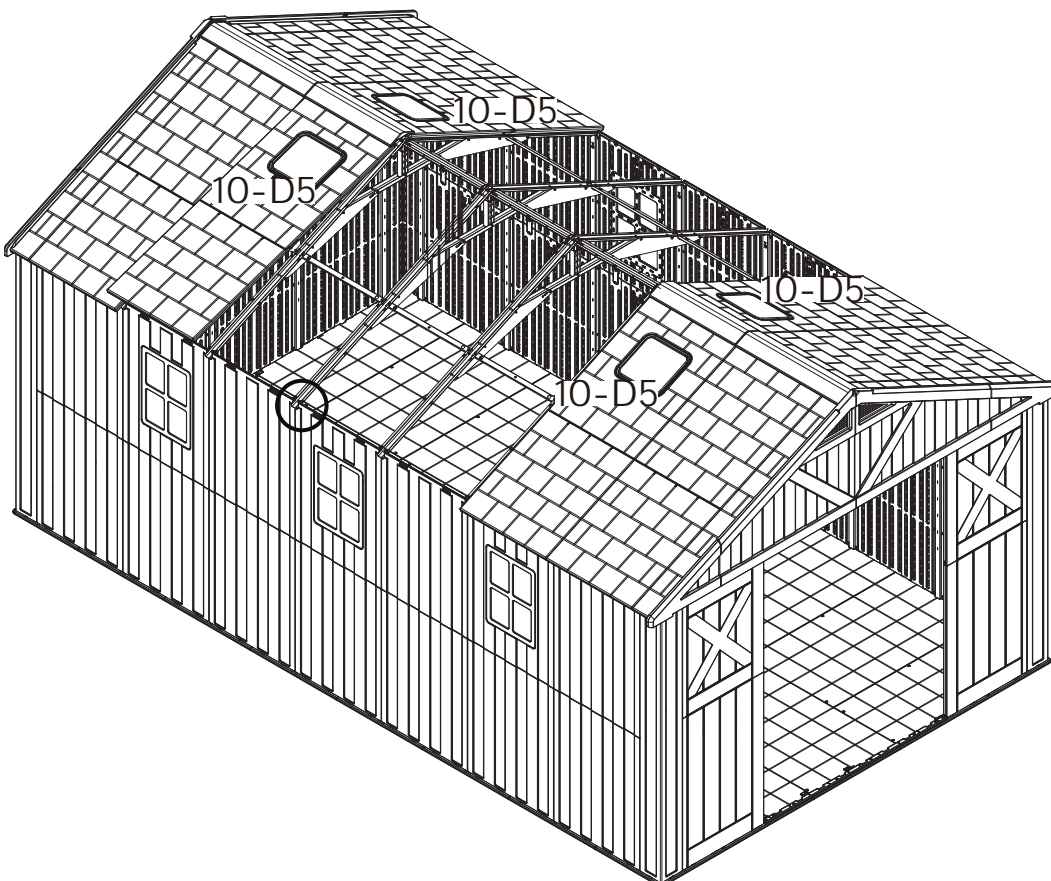
# STEP 52



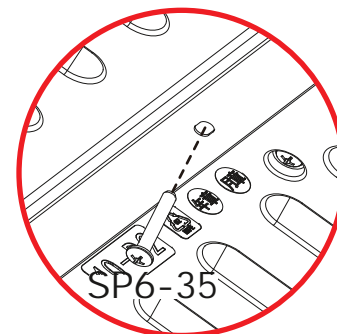
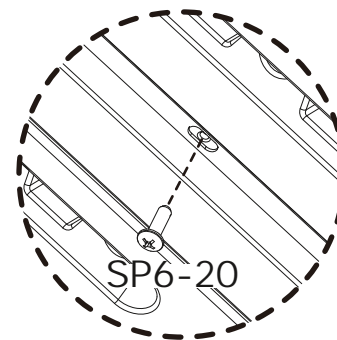
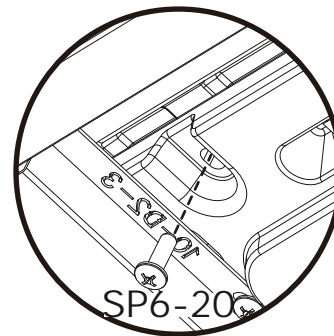
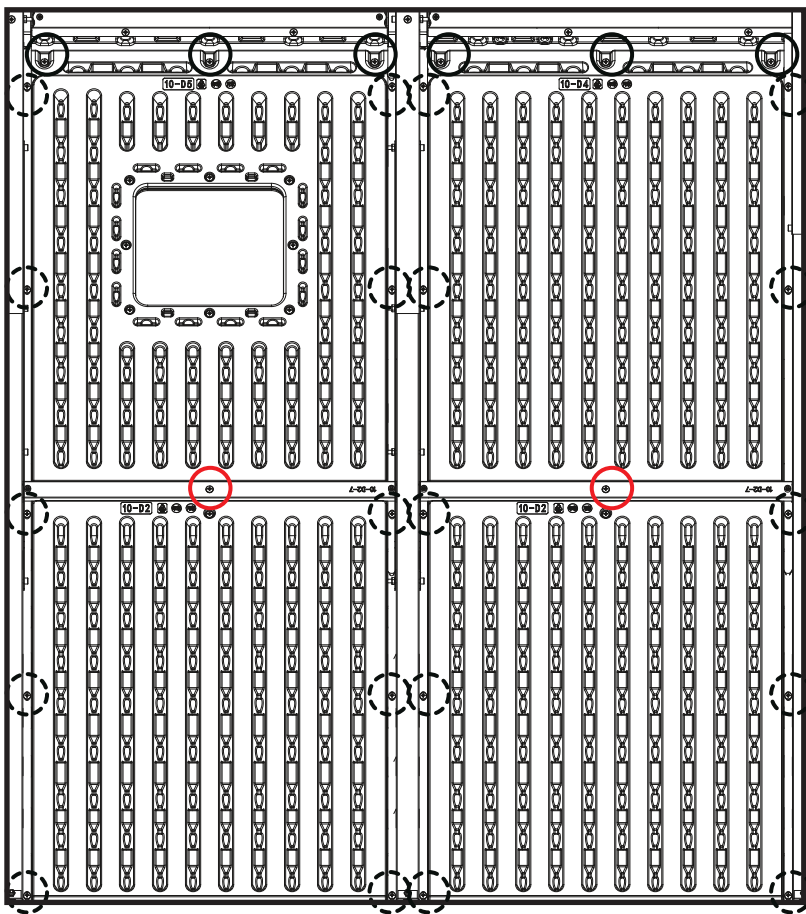
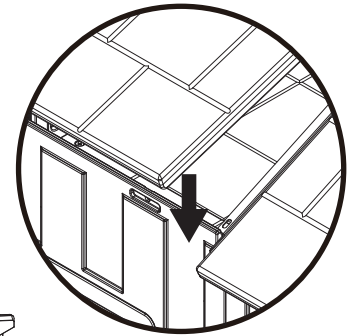
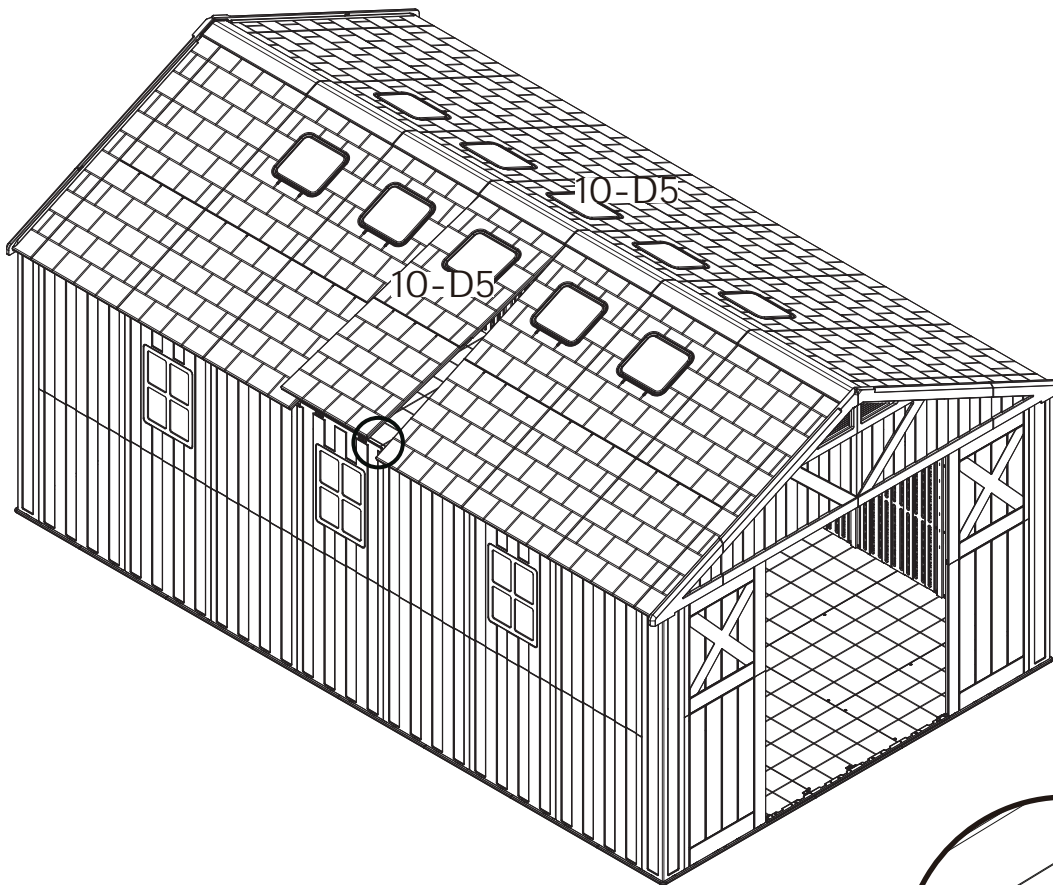
# STEP 53





# STEP 54

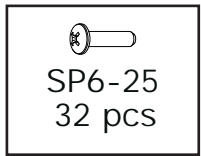
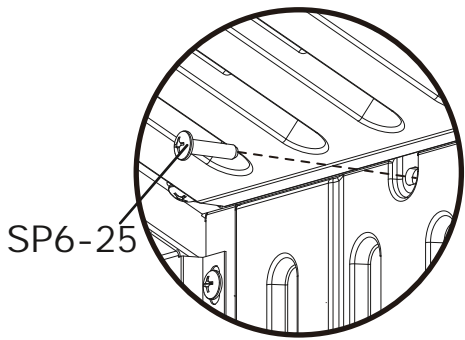
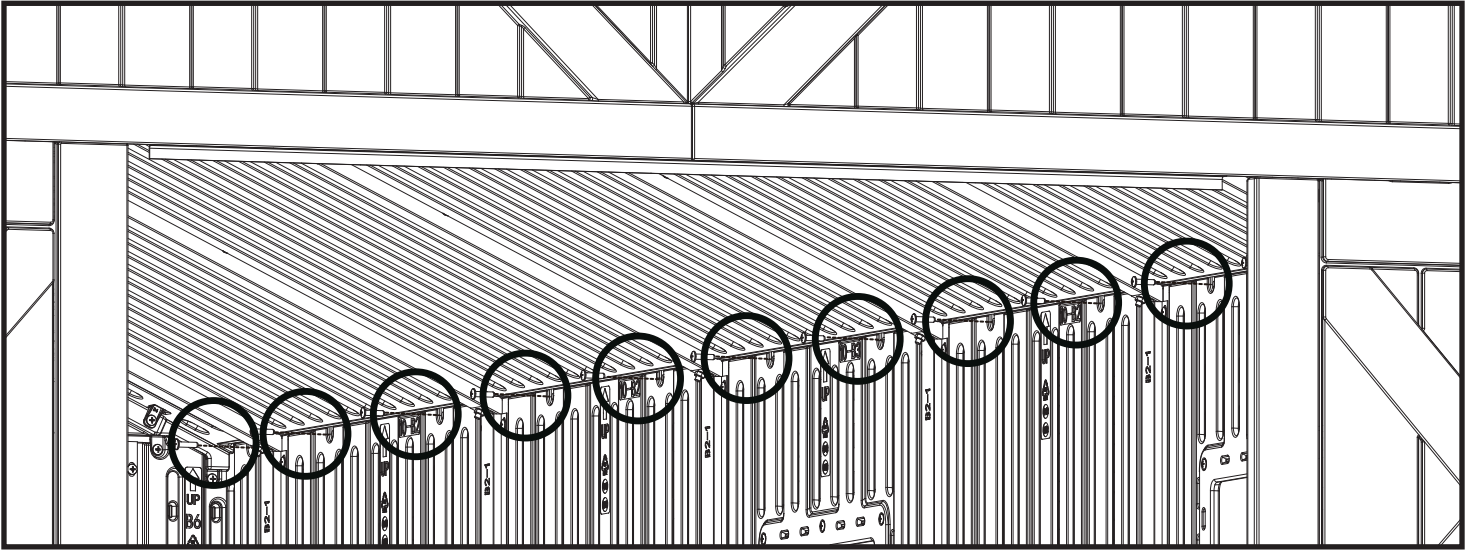


# STEP 55

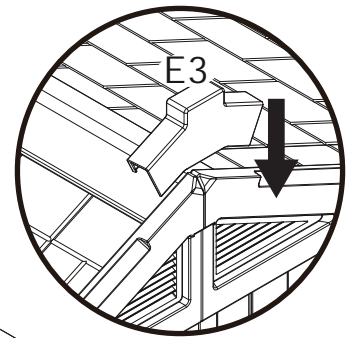
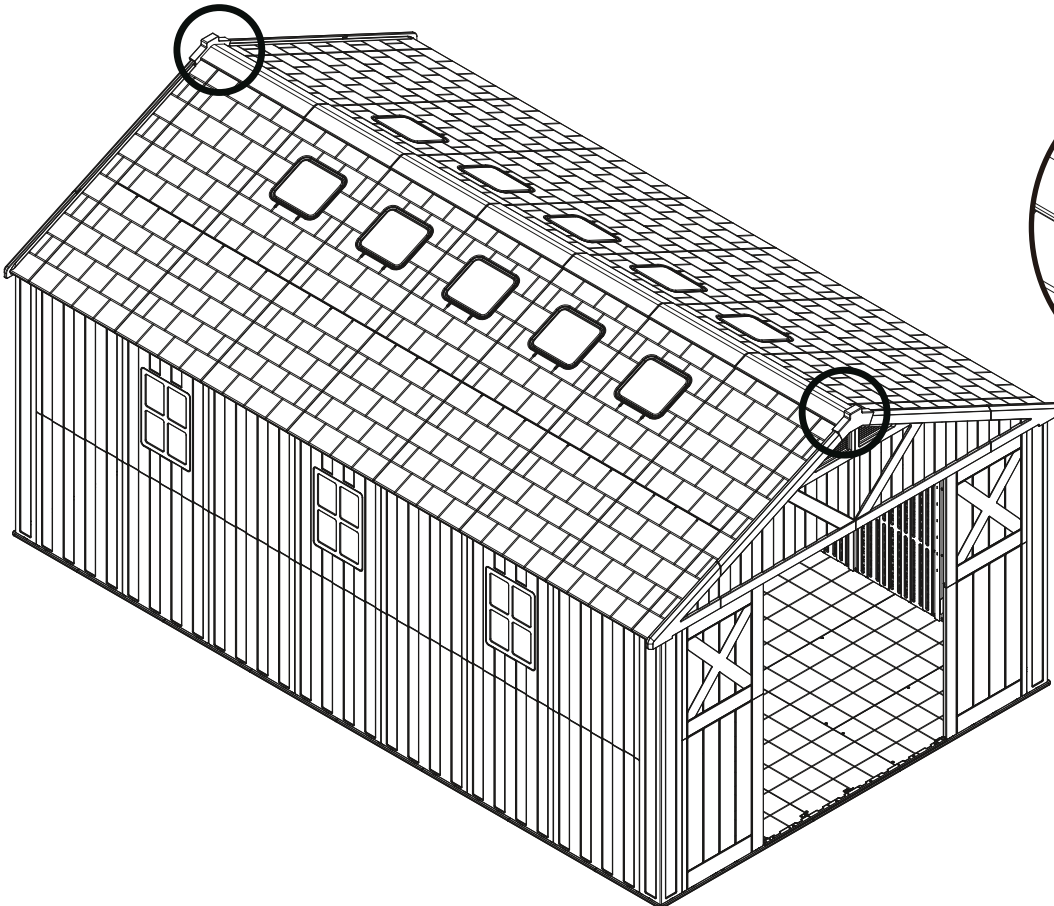


	
SP6-20	SP6-35
186 pcs	14 pcs

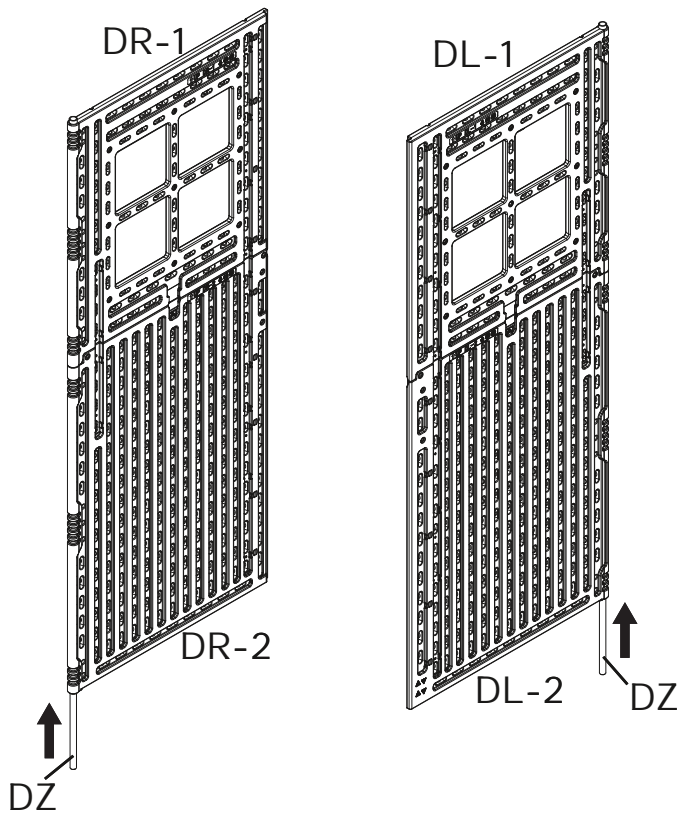
# STEP 56



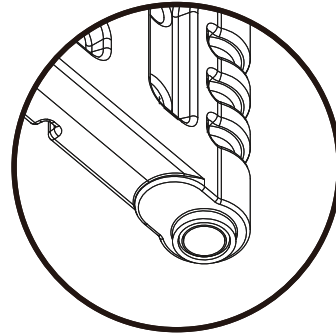
# STEP 57



# STEP 58

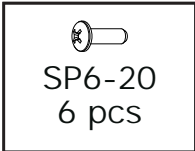
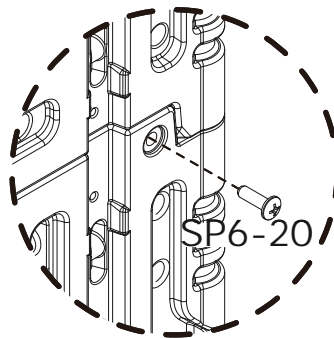
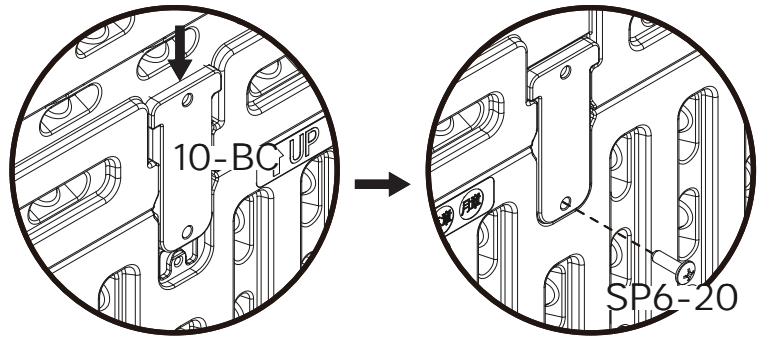
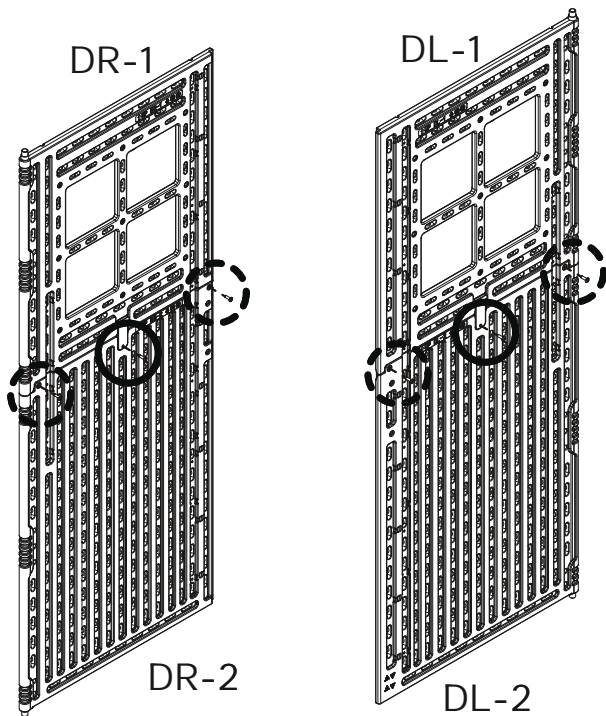


Do not push in hard when there is an obstruction, rotate DZ to adjust.

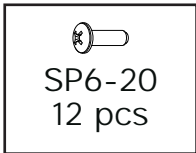
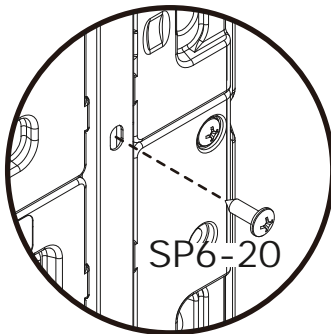
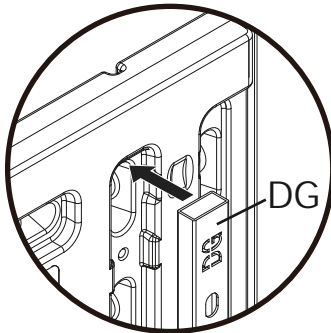
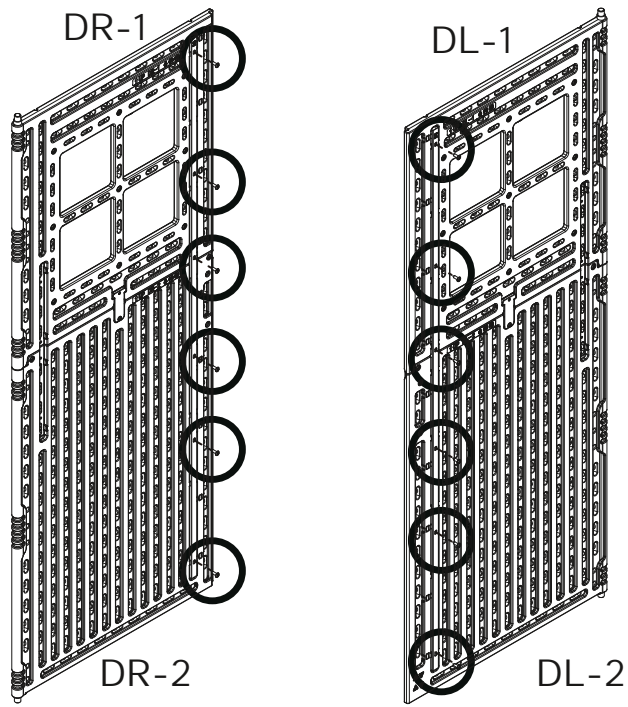


Push DZ completely down below, ensuring the bottom surface is level.

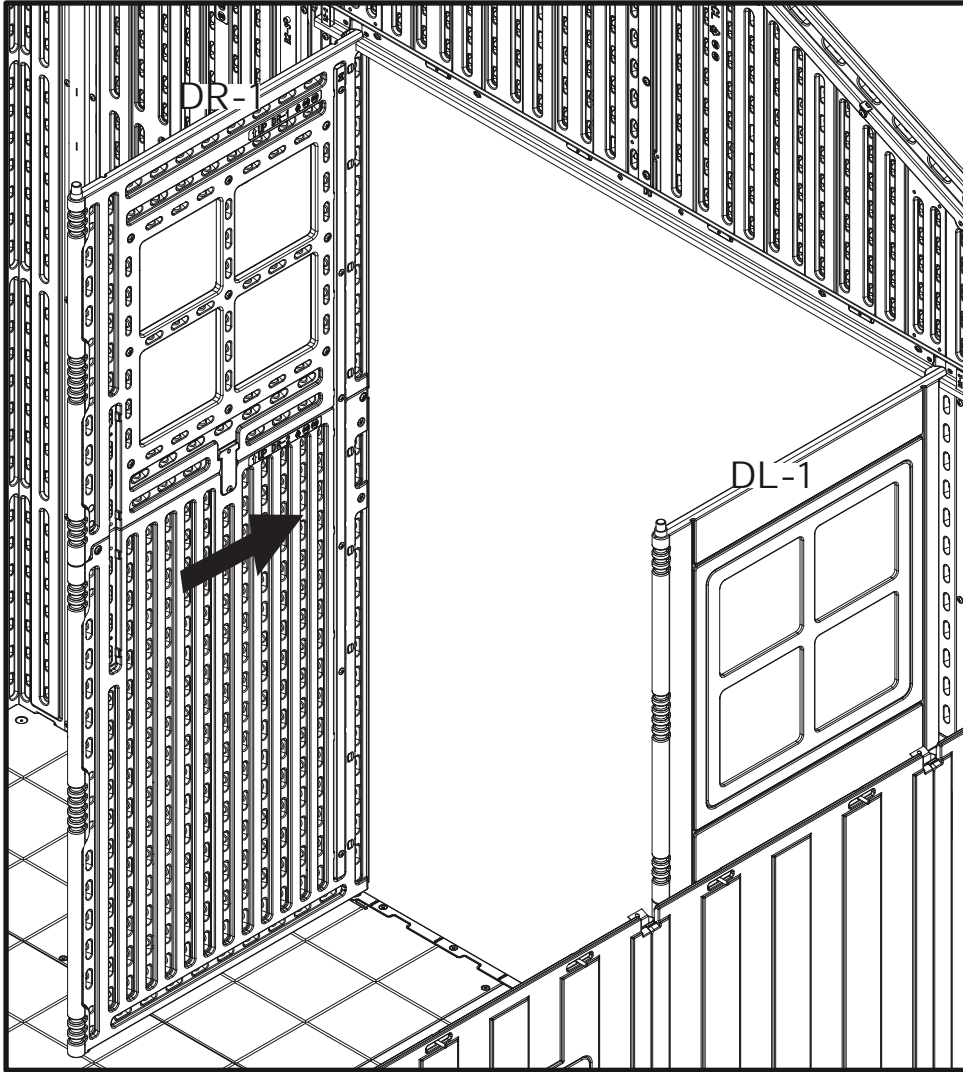
# STEP 59



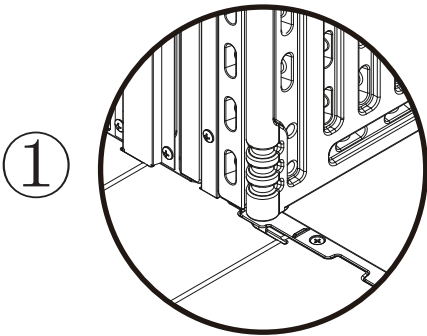
# STEP 60



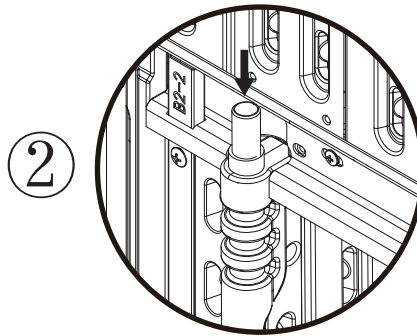
# STEP 61



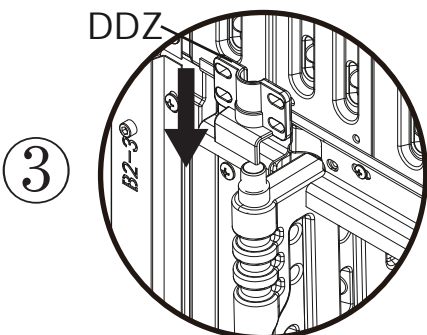
Take the **door** inside.  
Push it forward into position.



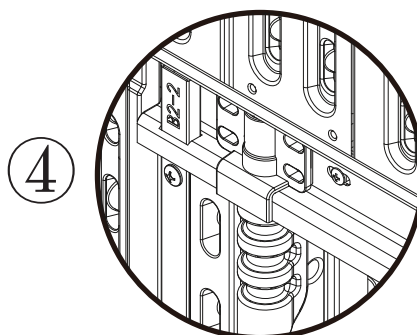
1 Push it into the groove of the floor.



2 Press the DZ downwards.

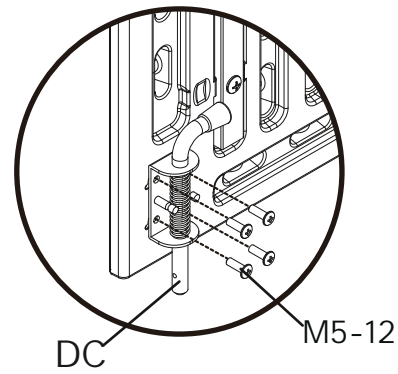
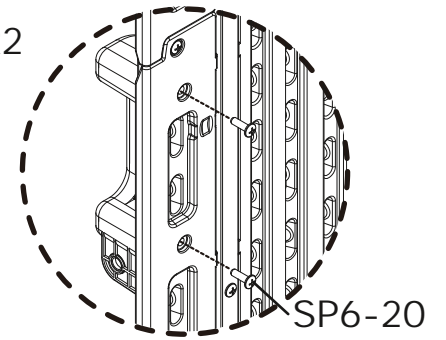
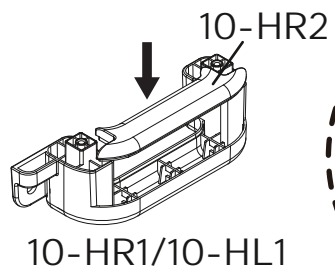
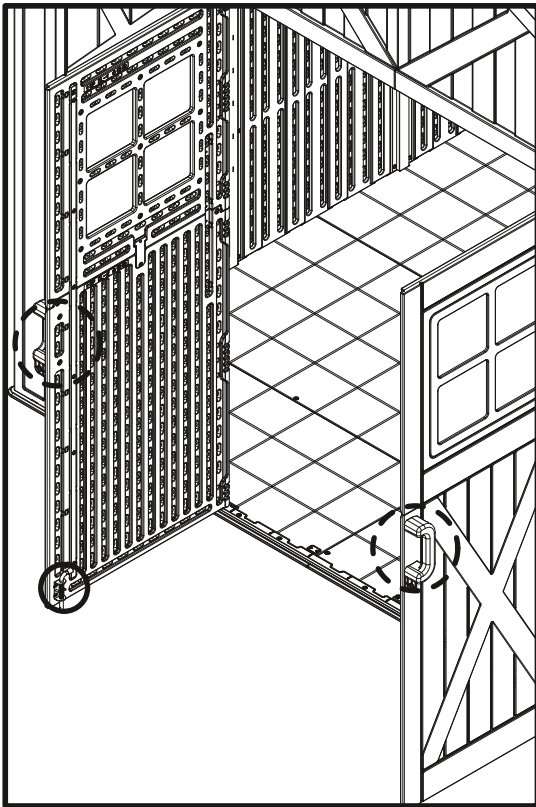
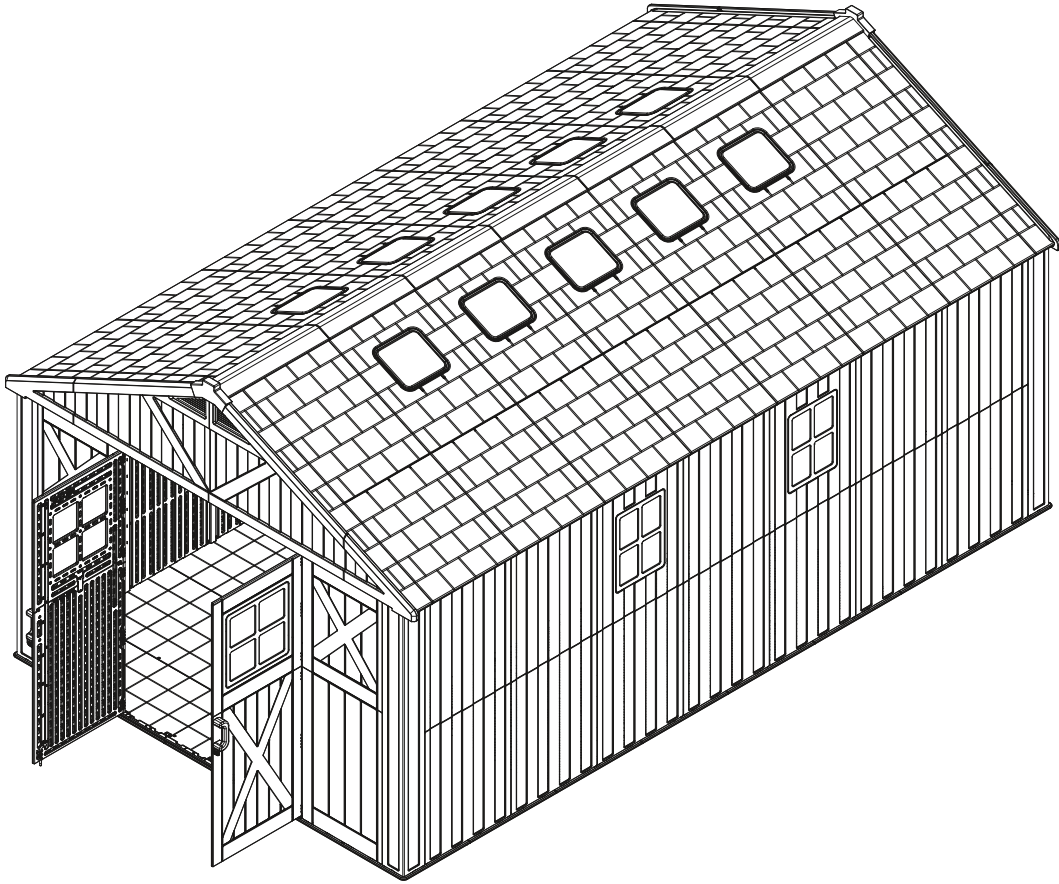




3 Tilting the **door** and snapping it into the DDZ.



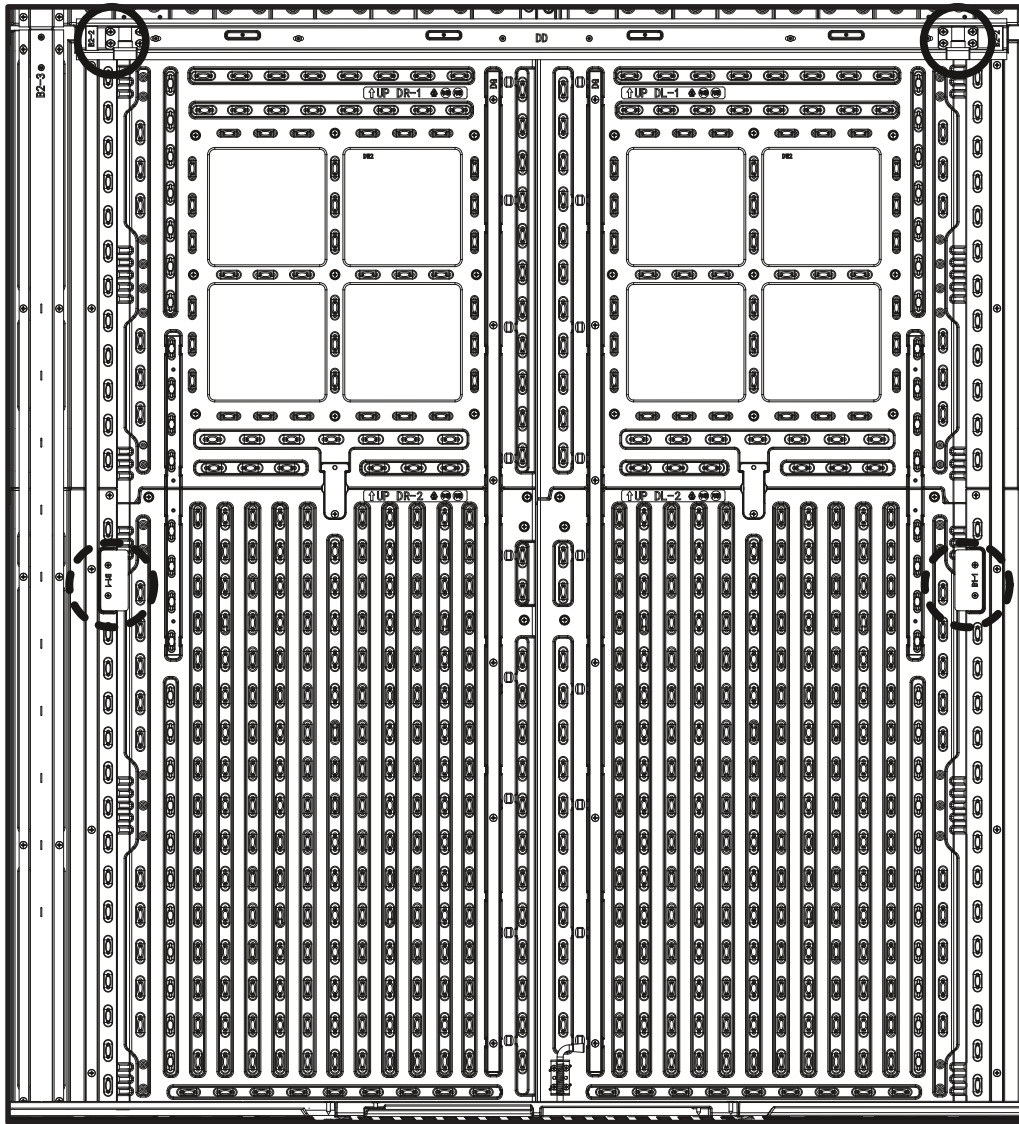
4 After inserting the DDZ, push the **door** to the fitting position.

# STEP 62

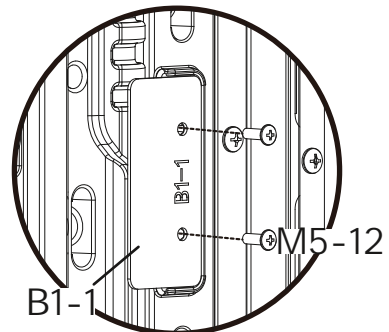
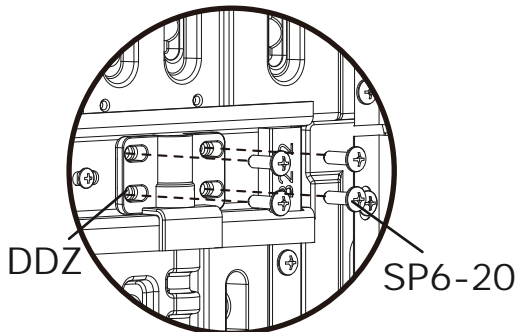



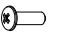
	
SP6-20	M5-12
4 pcs	4 pcs

# STEP 63



Two people are needed. One person closes the door and inserts the pin, while the other person adjusts the gap outside the door. After making sure the gap is even, the person inside installs DDZ screws SP6-20.



	
SP6-20	M5-12
8 pcs	4 pcs

## CARE & SAFETY

- In case of fire, do not attempt to extinguish any burning polypropylene with water
- Unsuitable for storage of flammable or corrosive substances.
- It is of utmost importance to assemble all of the parts according to the directions. Do not skip any step.
- Please consult your local authorities if any permits are required to erect shed.
- Periodically check shed to assure that it remains stable and that the site remains level.
- It is highly recommended to secure the shed to an immovable object or to the ground by drilling holes in the floor at the pre-marked locations and inserting proper screws into the ground (size: 1.9"-3" ,screws are not included).
- Wear safety-goggles and always follow the manufacturer's instructions when using power tools.
- Wash shed with garden hose or a mild detergent solution. Using a stiff brush or abrasive cleaner could damage shed.
- Hot items such as recently used grills, blowtorches, etc. must not be stored in the shed.
- Heavy articles should not be leaned against the walls, as this may cause distortion.
- Keep roof clean of snow and leaves. Heavy amounts of snow on roof can damage the shed making it unsafe to enter.
- Although wind direction varies, it is an important factor when taking into account where to place your shed. Therefore, it is recommended to reduce wind exposure of the shed in general, and the door side in particular.
- Keep doors closed and locked to prevent wind damage.
- Do not stand on the roof.