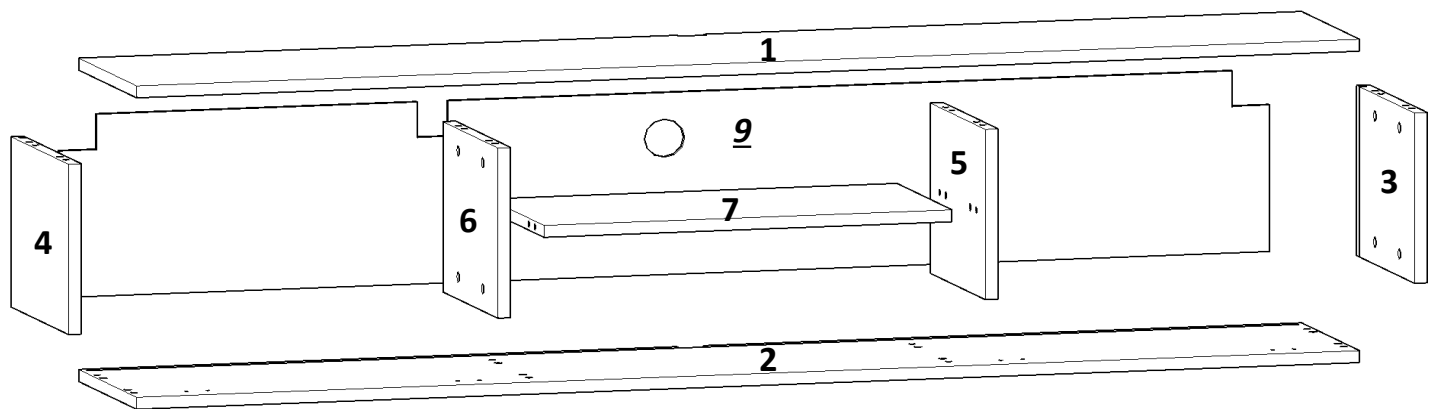
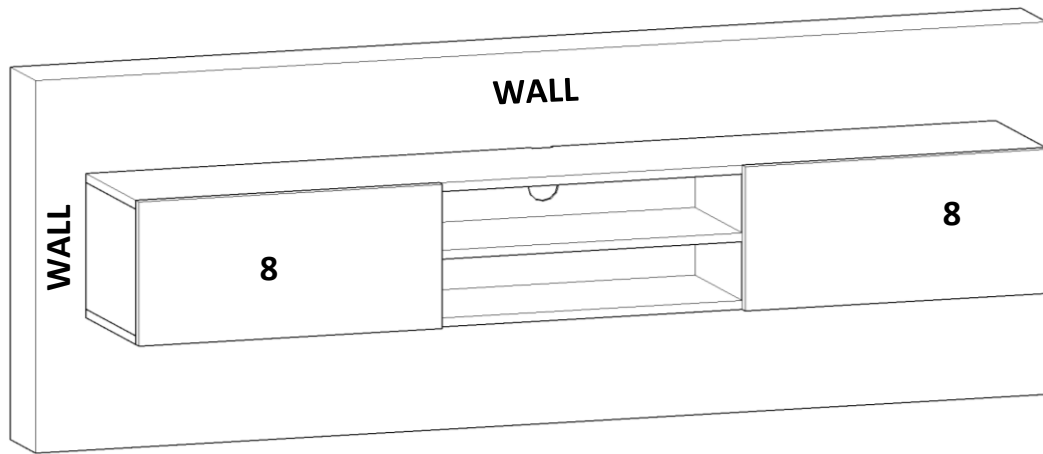



Wall Hang Tv unit 180 cm




<u>PIECE NO</u>	<u>PIECE NAME</u>	<u>PIECE QUANTITY</u>
1	TOP TABLE (1800 mm X 300 mm)	1
2	BOTTOM TABLE (1800 mm X 300 mm)	1
3	RIGHT SIDE (264 mm X 300 mm)	1
4	LEFT SIDE (264 mm X 300 mm)	1
5	RIGHT STRUT (264 mm X 285 mm)	1
6	LEFT STRUT (264 mm X 285 mm)	1
7	MIDDLE SHELF (600 mm X 285 mm)	1
8	COVER (600 mm X 300 mm)	2
9	<i>BACKREST(4 mm) (1782 mm X 282 mm)</i>	1

ACCESSORY : A
MINIFIX BODY




QTY	DIM
20	Ø:15

ACCESSORY : B
MINIFIX SHAFT




QTY	DIM
20	Ø:8

ACCESSORY : C
DOWEL




QTY	DIM
20	Ø:8

ACCESSORY : D
STAR SCREW




QTY	DIM
30	3,5x18

ACCESSORY : E
HANGER



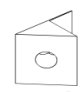
QTY	DIM
3	

ACCESSORY : F
HINGE




QTY	DIM
4	

ACCESSORY : G
BACKREST COMPRESSOR




QTY	DIM
8	

ACCESSORY : H
STAR SCREW




QTY	DIM
3	4x70

ACCESSORY : J
ANCHOR



QTY	DIM
3	

ACCESSORY : K
DRYWALL ANCHOR

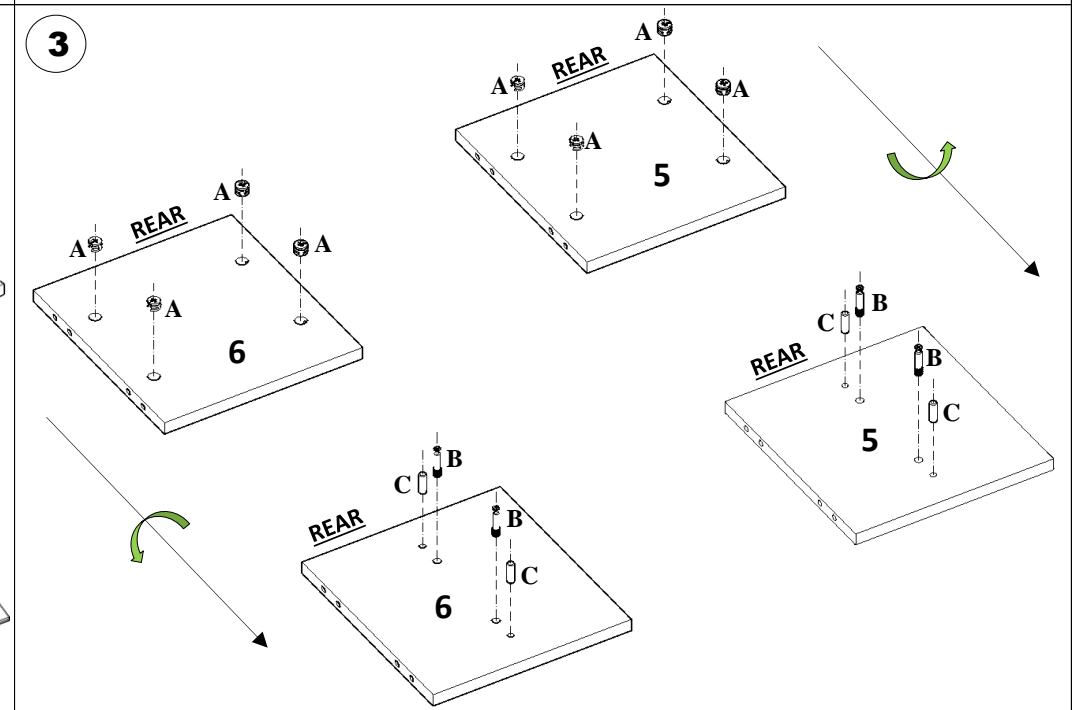
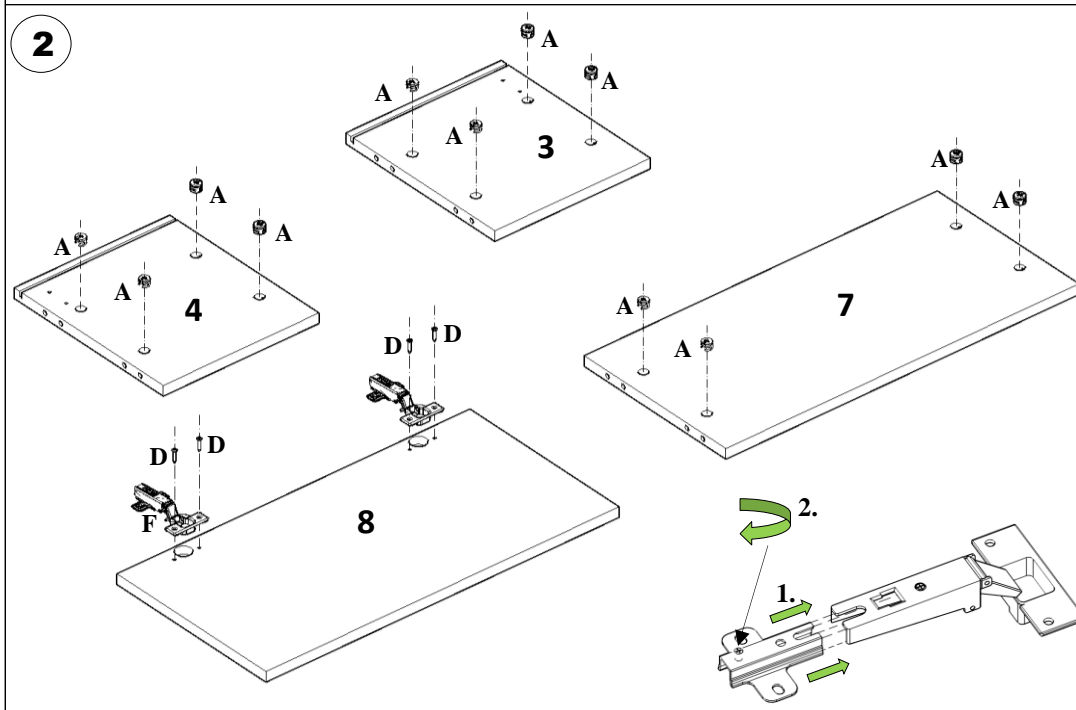
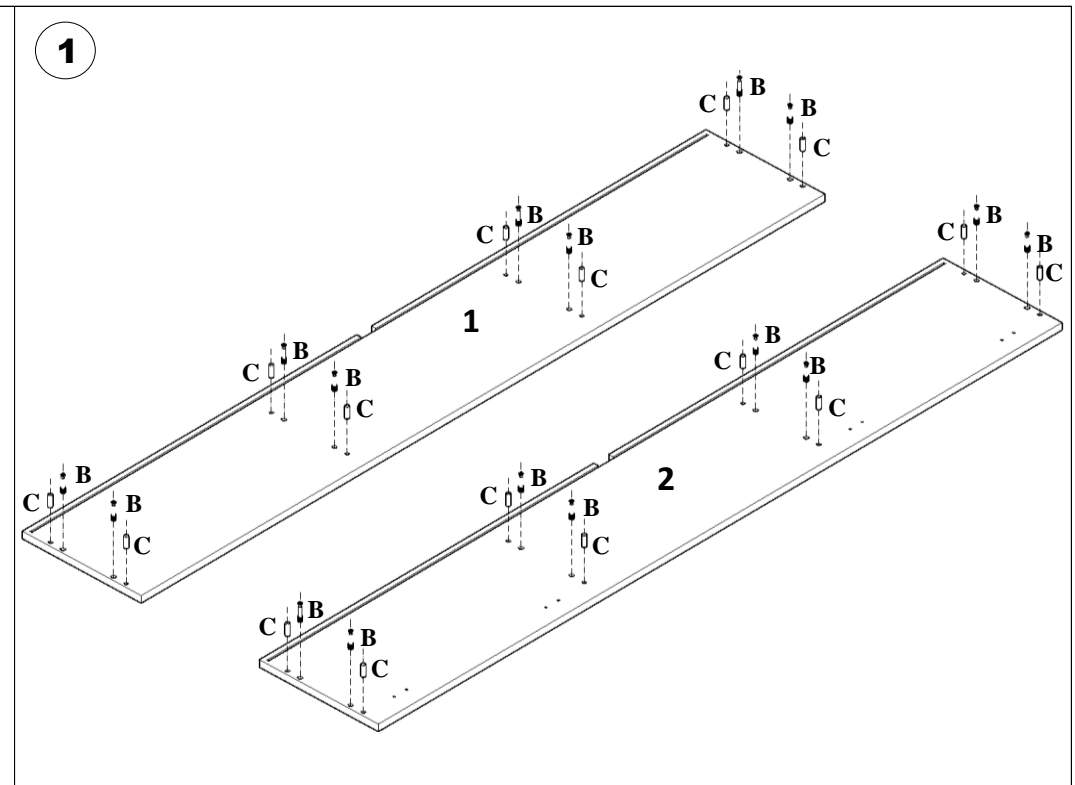
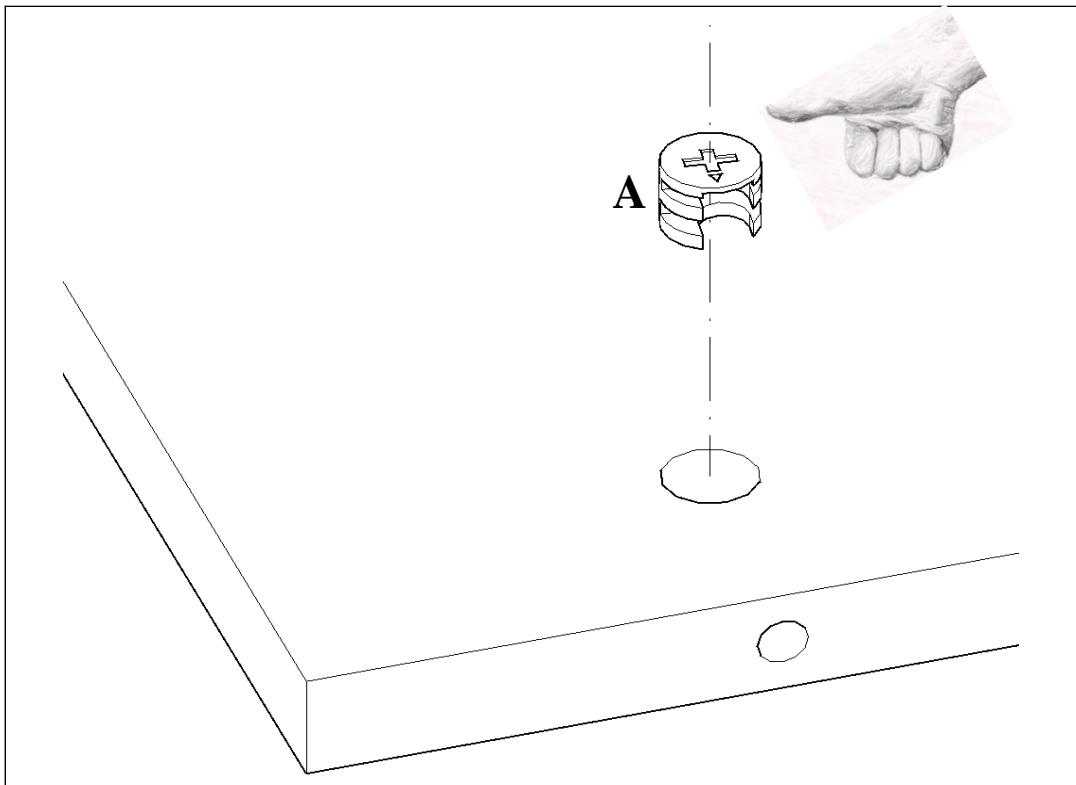


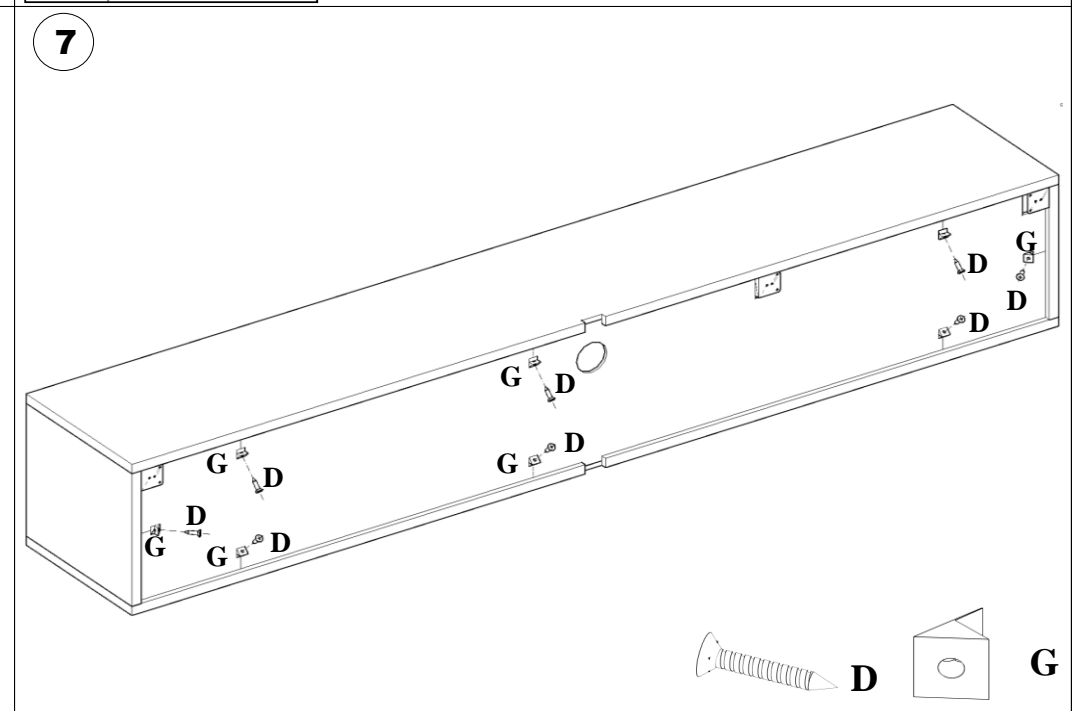
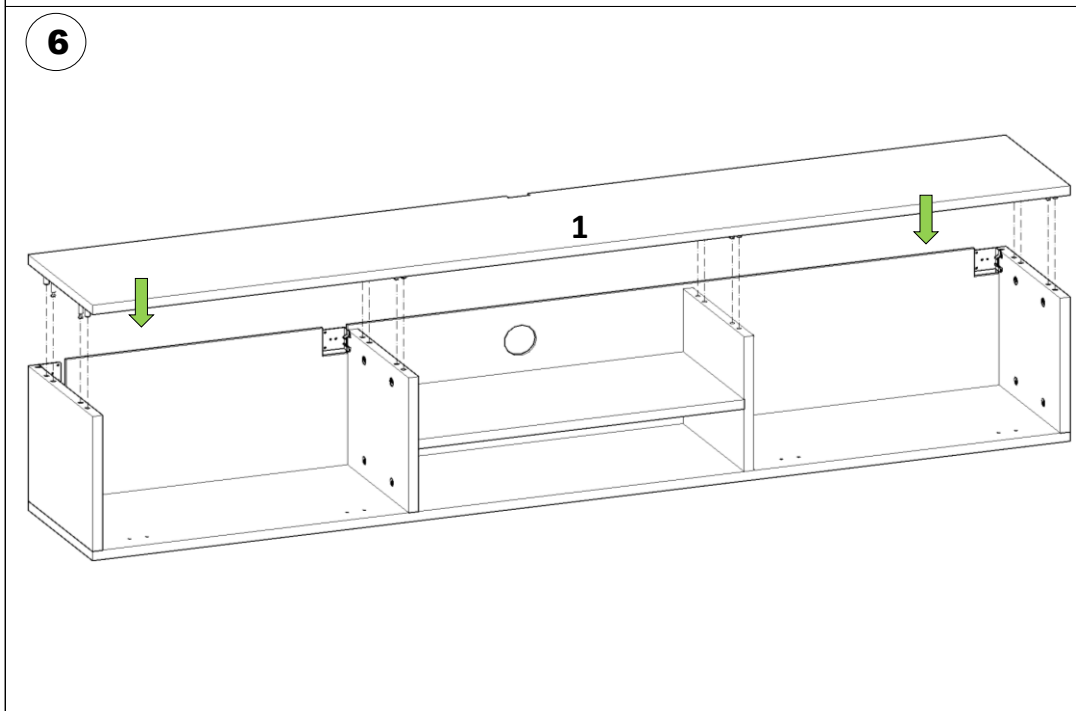
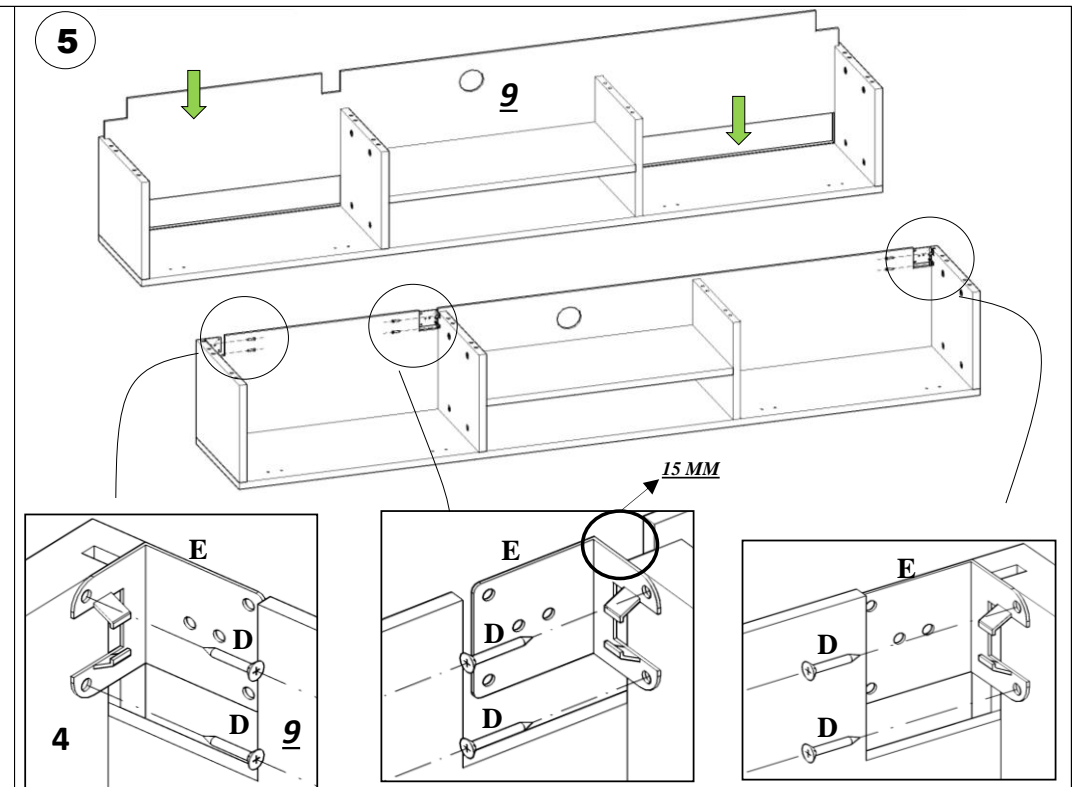
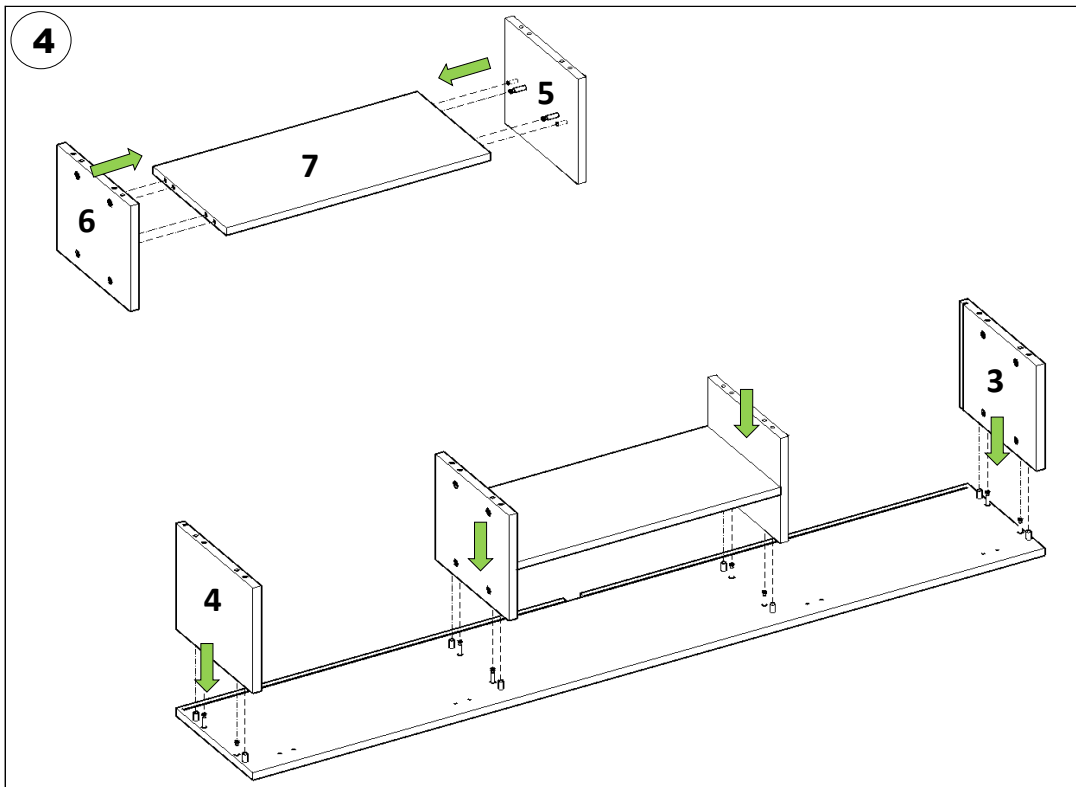
QTY	DIM
3	

ACCESSORY : L
MINIFIX COVER



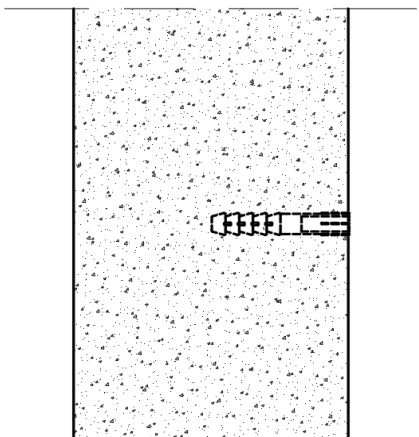
QTY	DIM
20	



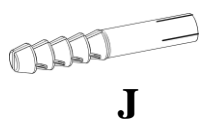
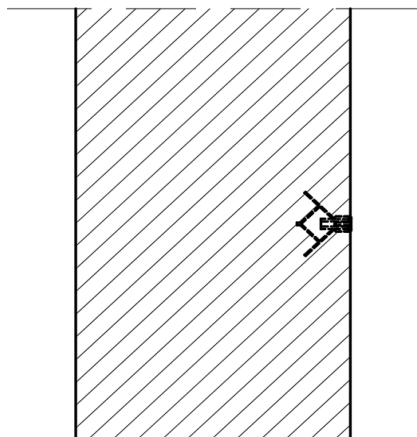


8

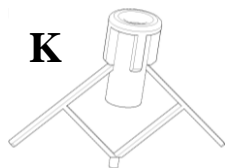
Reinforced Concrete Wall



Drywall Wall

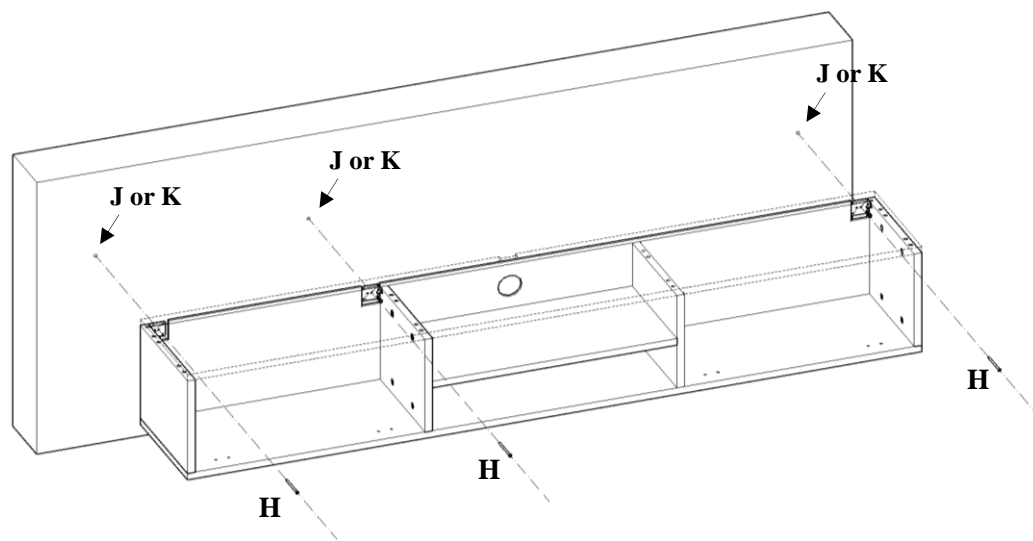


Reinforced Concrete Wall Anchor

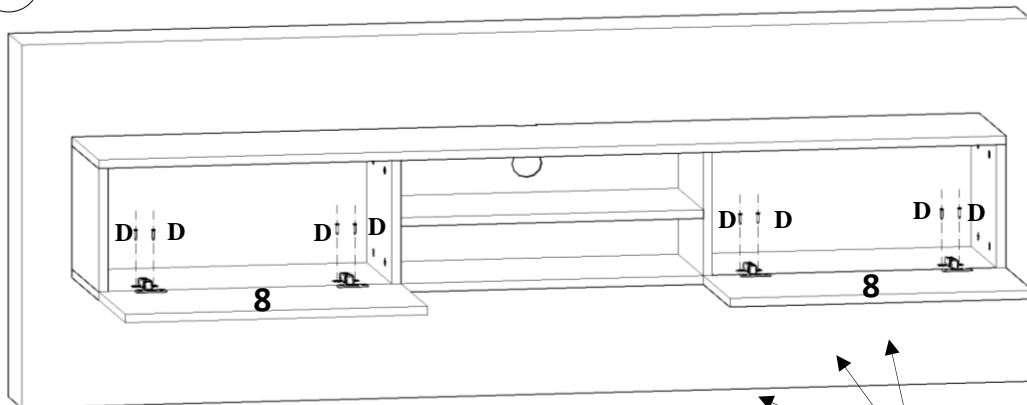


Drywall Wall Anchor

9



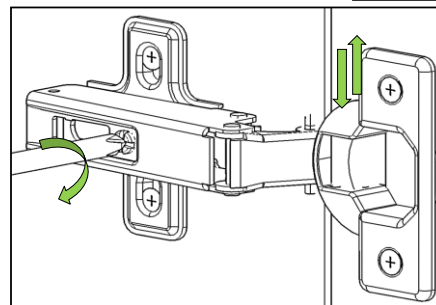
10



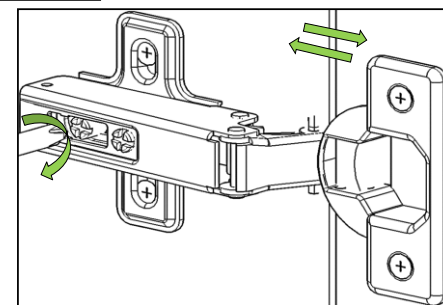
L



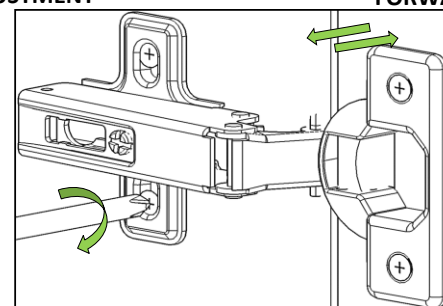
COVER ADJUSTMENTS



UP - DOWN ADJUSTMENT



FORWARD - BACK ADJUSTMENT



RIGHT - LEFT ADJUSTMENT