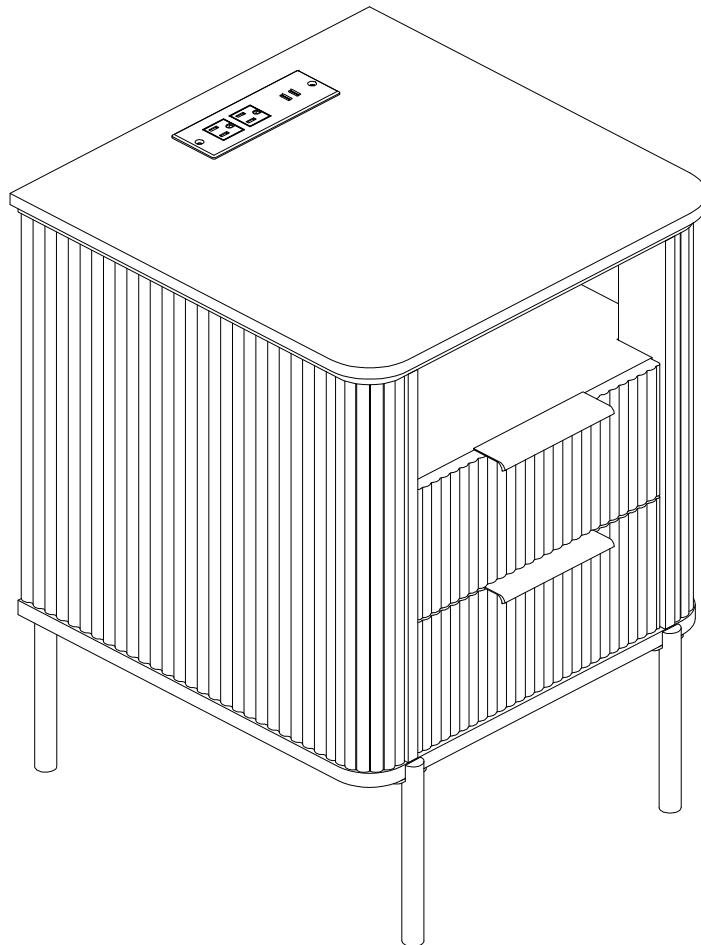


2 drawer storage cabinet

Assembly Instructions - Please keep for future reference



SKU: CCT113-1A1A0

Dimensions

Width - 18.1inch
Depth - 18.1inch
Height - 24.8inch

Any question please feel free to contact us:
Furniture-AfterSales@outlook.com

Important – Please read these instructions fully before starting assembly

Safety and Care Advice

Important – Please read these instructions fully before starting assembly

- Check you have all the components and tools listed on the following pages.
- Remove all fittings from the plastic bags and separate them into their groups.
- Keep children and animals away from the work area, small parts could choke if swallowed.
- Make sure you have enough space to layout the parts before starting.

- During assembly do not stand or put weight on the product, this could cause damage.
- Assemble the item as close to its final position (in the same room) as possible.
- Assemble on a soft level surface to avoid damaging the unit or your floor.
- Parts of the assembly will be easier with 2 people.



- To reduce the likelihood of damaging your product please ensure that your power drill is set on a low torque setting.

Care and maintenance

- Only clean using a damp cloth and mild detergent, do not use bleach or abrasive cleaners.
- From time to time check that there are no loose screws on this unit.
- This product should not be discarded with household waste. Take to your local authority waste disposal centre.

Handy Hints

- Assemble all parts and bolts loosely during assembly, only once the product is complete should you fully tighten the bolts
- Regularly check and ensure That all bolts and fittings are tightend properly.

WARNING In order to help prevent overturning – please follow these instructions

To help prevent product toppling over please follow the below steps:-

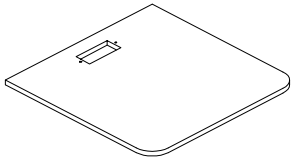
Use the anti tip stap or wall fixing method provided (if applicable)
Do not allow children to climb or hang on the furniture
Do not open more than one drawer at a time
Do not place heavy items in the top drawers
Do not place heavy items on top of the furniture, unless the furniture has been designed for this purpose

please note that only the anti tip strap is provided.

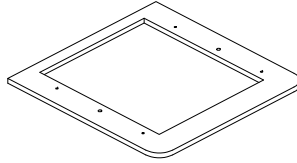
You will need to provide wall plugs and screws applicable for your wall type

Components - Panels

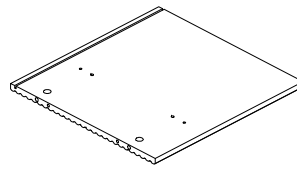
Please check you have all the panels listed below



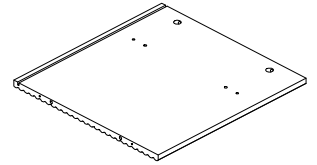
1 (460X460X12mm)X1



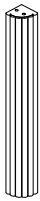
2 (450X440X12mm)X1



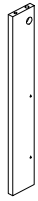
3 (411X401X15mm)X1



4 (411X401X15mm)X1



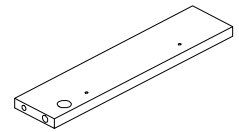
5 (411X47X47mm)X2



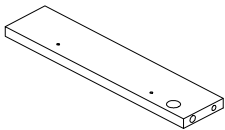
6 (411X60X12mm)X1



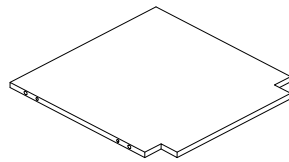
7 (411X60X12mm)X1



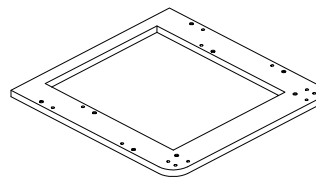
8 (269X60X12mm)X1



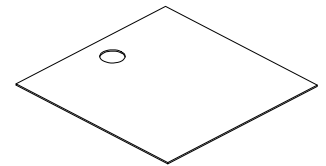
9 (269X60X12mm)X1



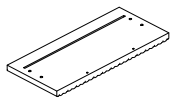
10 (419X405X12mm)X1



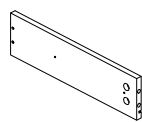
11 (460X450X15mm)X1



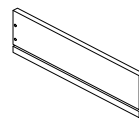
12 (421X415X3mm)X1



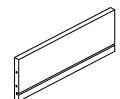
13 (311X138X15mm)X2



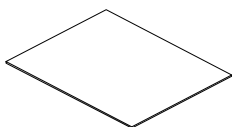
14 (350X96X12mm)X2



15 (350X96X12mm)X2



16 (267X96X12mm)X2

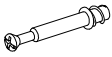

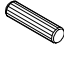

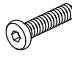

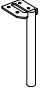
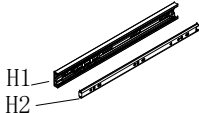

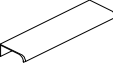

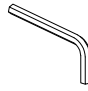

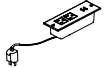




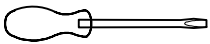
17 (349X278X3mm)X2

Components - Fittings

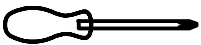
Please check you have all the hardware listed below

Note: The quantities below are the correct amount to complete the assembly. In some cases more fittings may be supplied than are required.

<p>A  Male Camlock x 20</p>	<p>B  Female Camlock x 20</p>	<p>C  Dowel x 28</p>
<p>D  4*40mm Screw x 8</p>	<p>E  6*20mm Screw x 2</p>	<p>F  4*25mm Screw x 4</p>
<p>G  x 4</p>	<p>H  H1 H2 x 2</p>	<p>J  3.5*12mm Screw x 22</p>
<p>K  Handle & Fixings x 2</p>	<p>L  Back Panel Stiffener x 4</p>	<p>M  x 1</p>
<p>N  4*30mm Screw x 8</p>	<p>P  x 1</p>	<p>Q  4*14mm Screw x 16</p>
<p>R  3*16mm Screw x 4</p>		



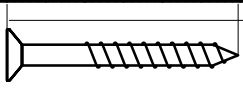
Tools required



Phillips screwdriver
(medium & large)

Ruler - Use this ruler to help correctly identify the screws

0 5 10 15 20 25 30 35 40 45 50 55 60 65 70 75 80 85 90 95 100 105 110 115 120 125 130 135 140 145 150 155 160 165 170



The screws length is measured from the head to the point (30mm screw shown).

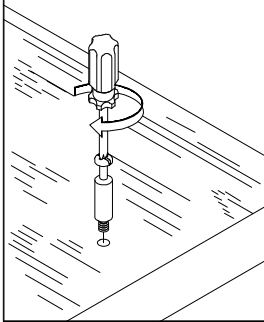
Using Camlocks

Step 1

Connect the male camlock as directed in the assembly instructions using a screwdriver.

1

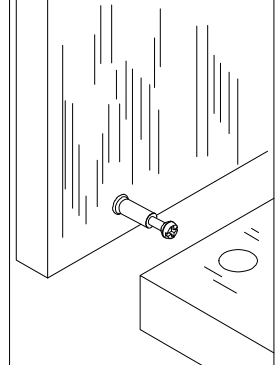
DO NOT OVER TIGHTEN.
NE PAS SERRER EXCESSIVEMENT.



Step 2

Push the male camlock into the entry hole.

2

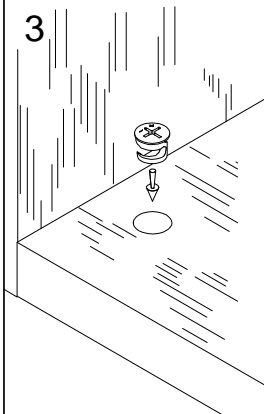


Step 3

Insert the female camlock as shown in the instruction.

Note: ensure that the arrow on the top of the camlock points towards the entry hole for the male camlock.

3



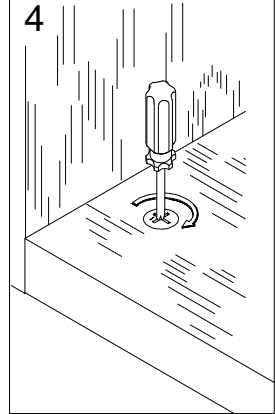
Step 4

Turn the female camlock clockwise with a screwdriver.

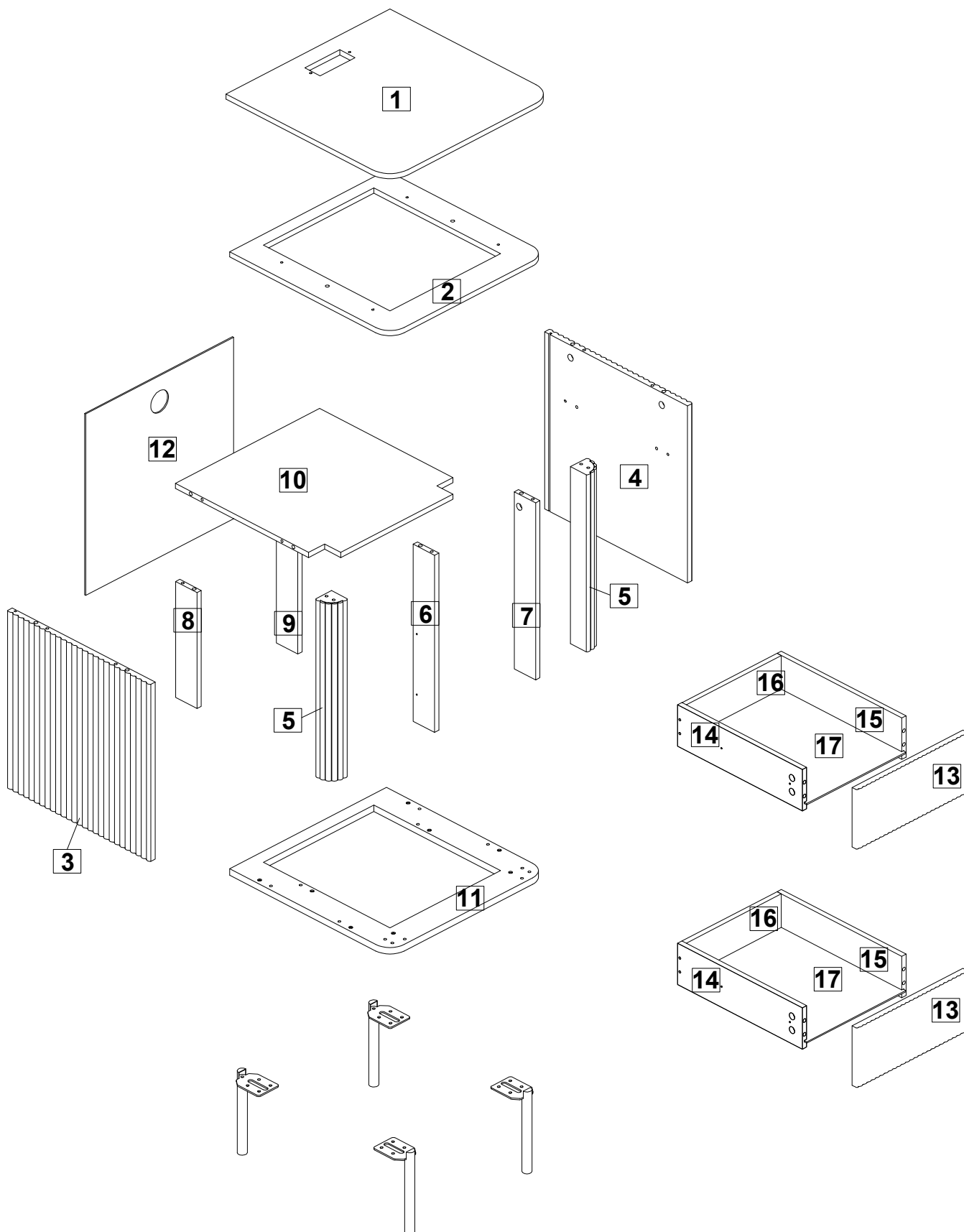
You should feel a click when the camlock is locked in place.

The joint is now secure.

4

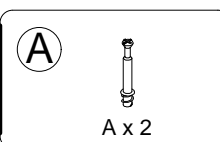
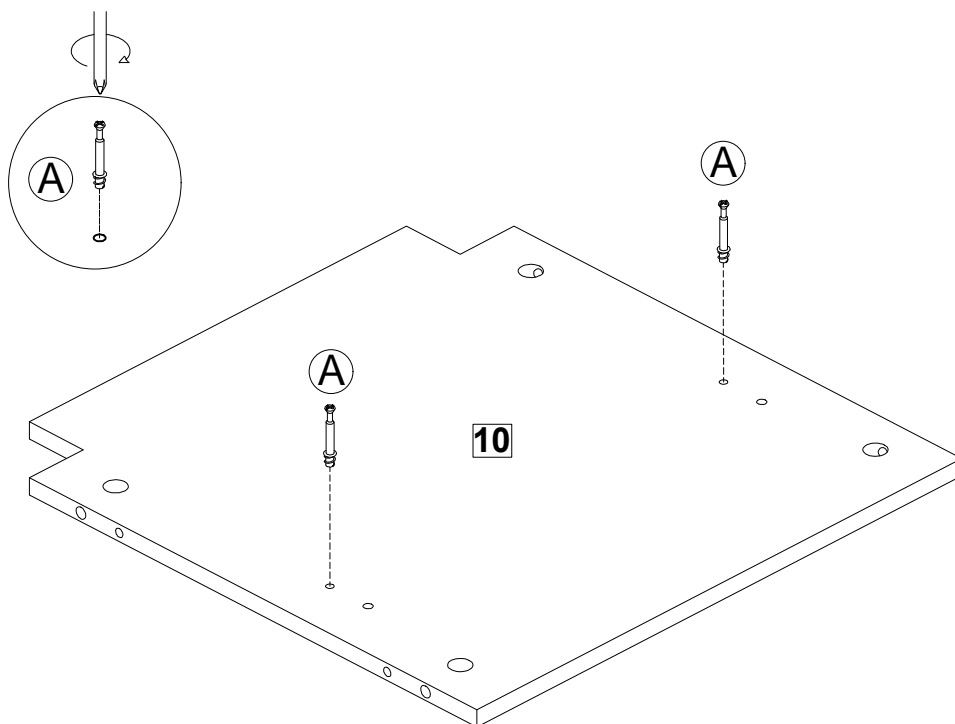


Assembly Instructions

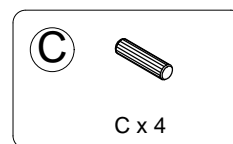
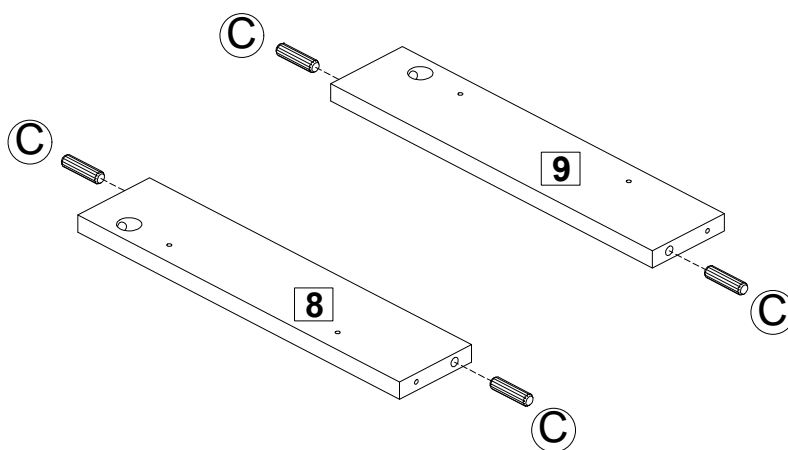


Assembly Instructions

Step 1

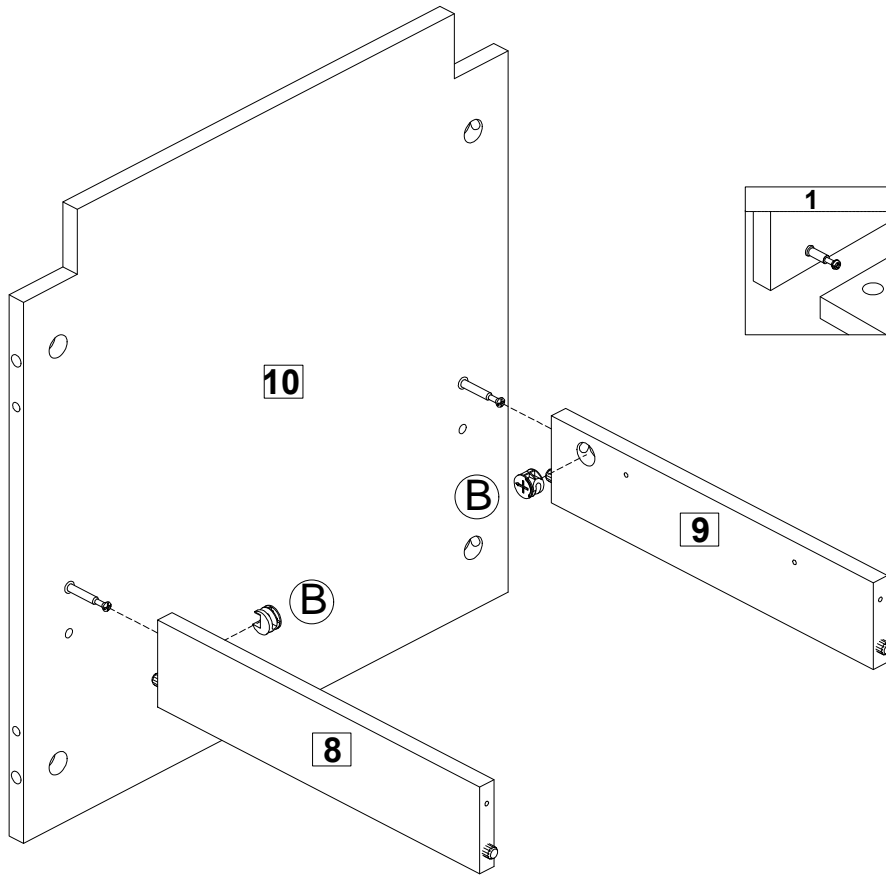


Step 2



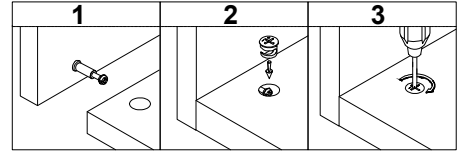
Assembly Instructions

Step 3

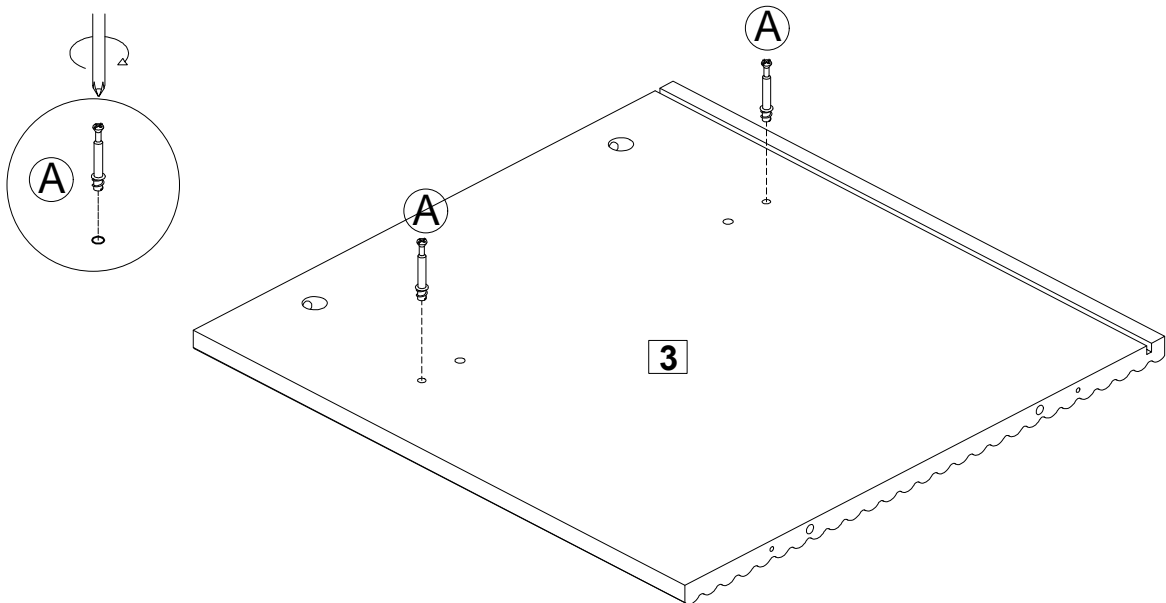


(B) 

B x 2



Step 4

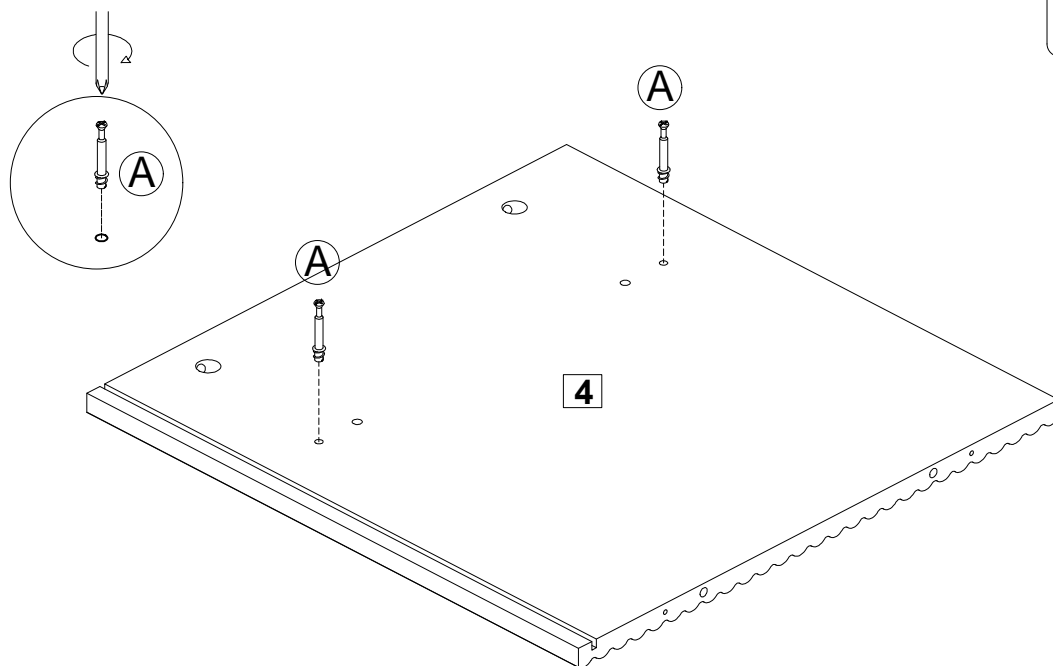


(A) 

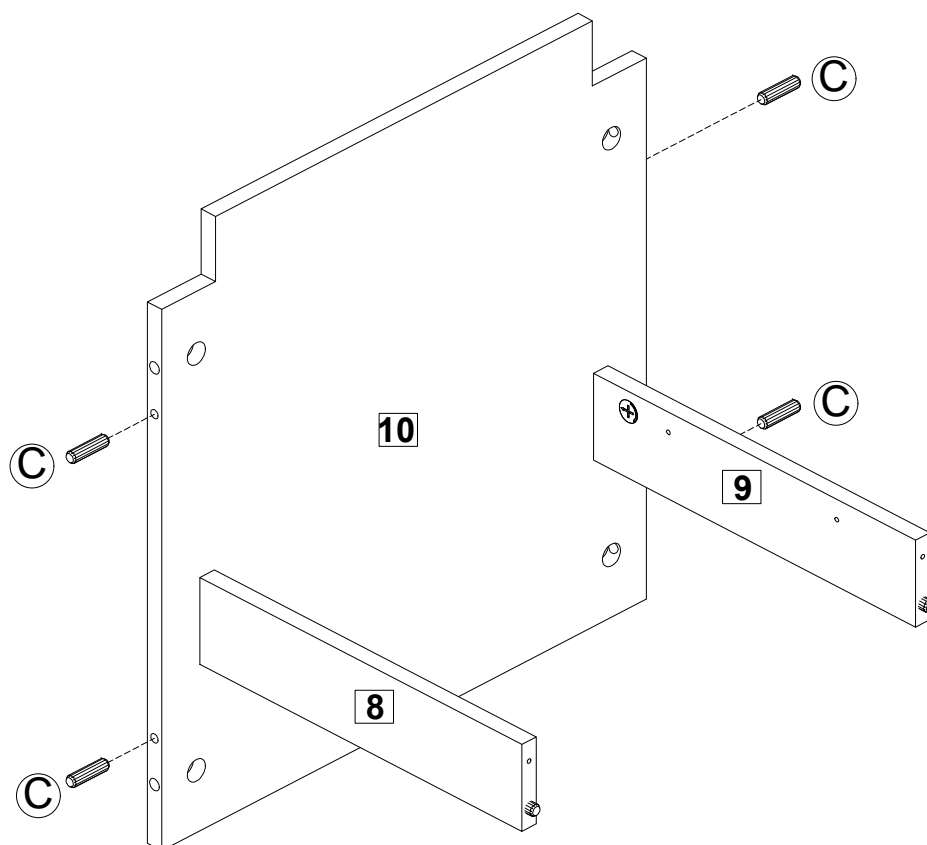
A x 2

Assembly Instructions

Step 5

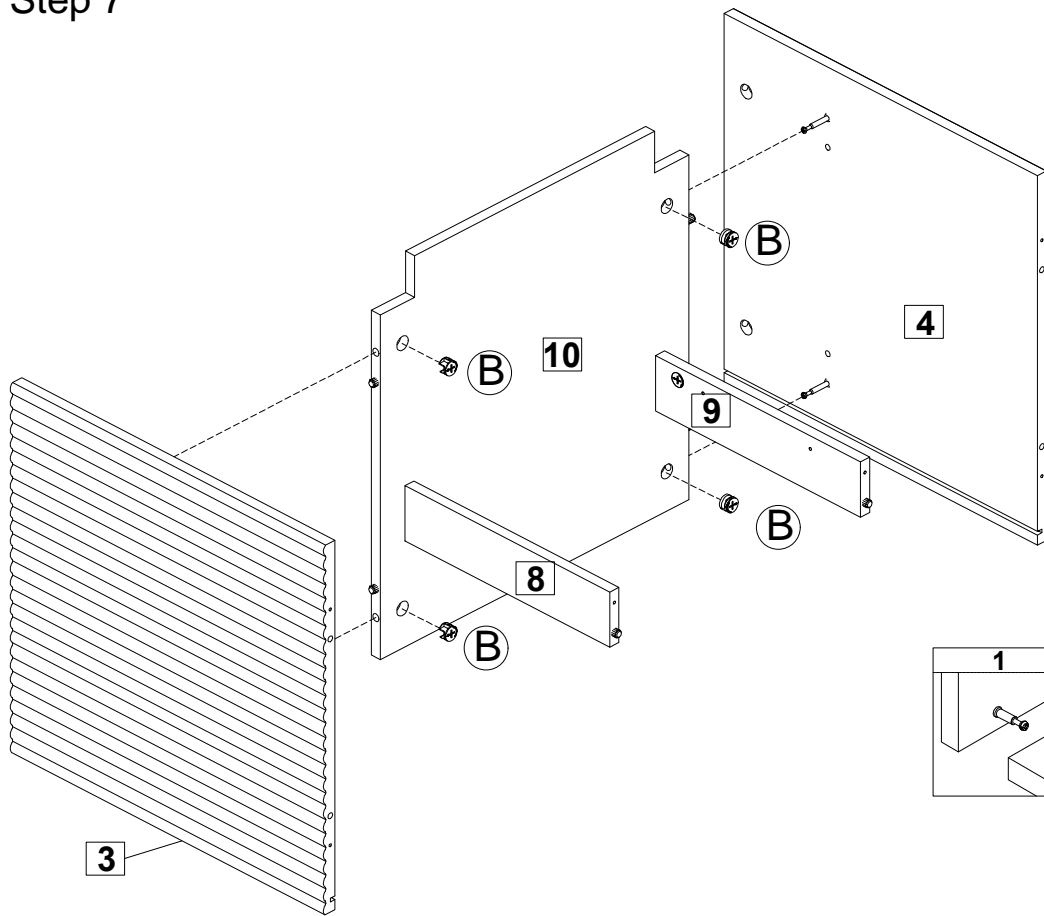
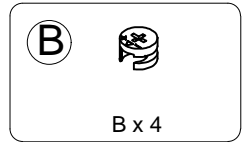


Step 6

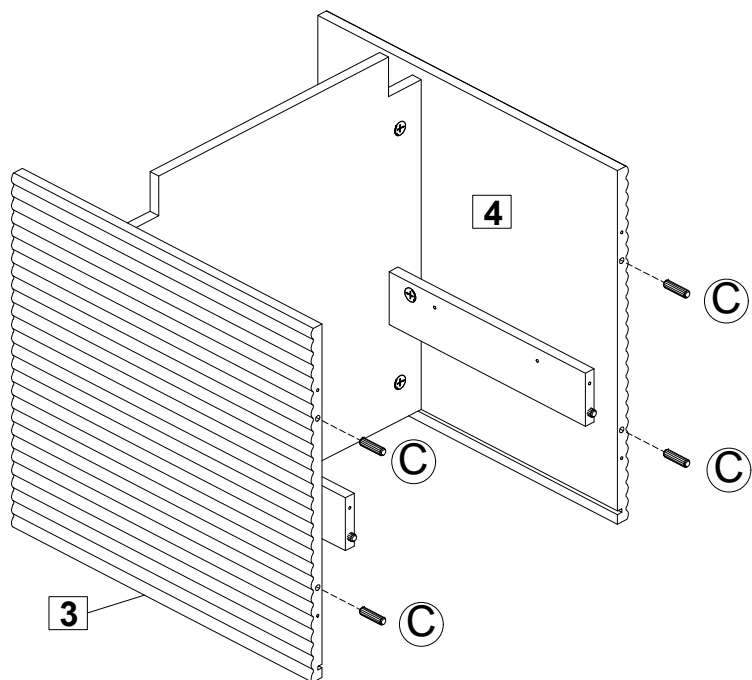
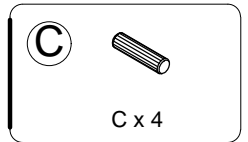


Assembly Instructions

Step 7

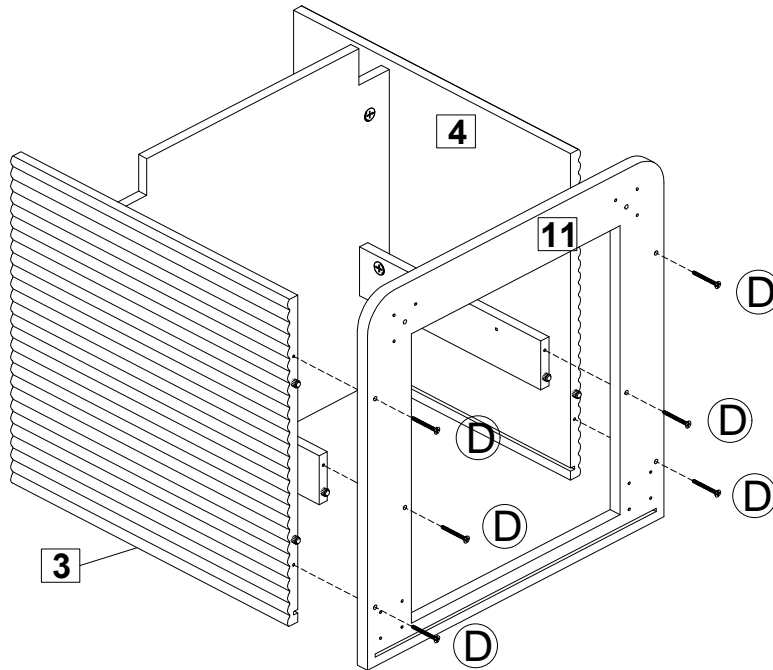
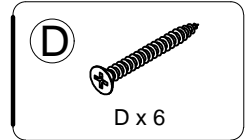


Step 8

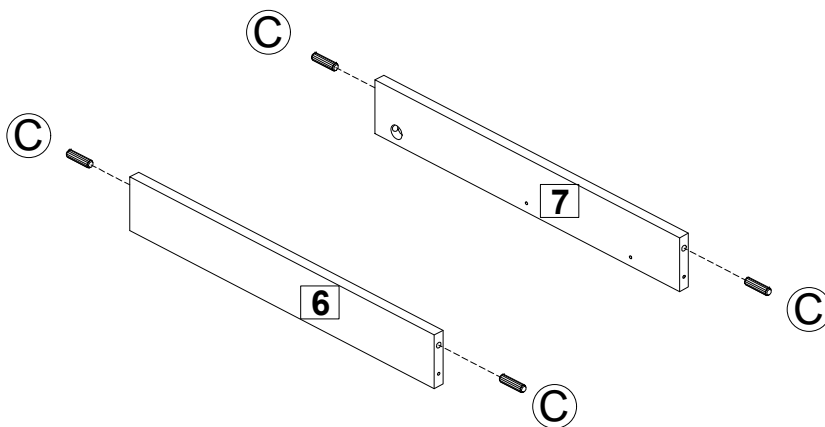
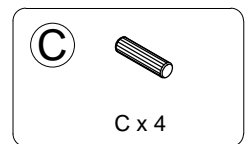


Assembly Instructions

Step 9

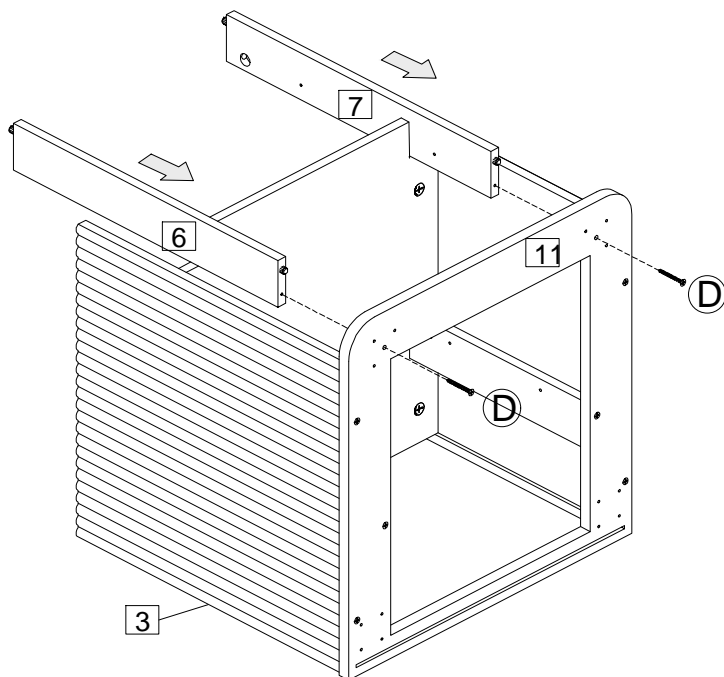


Step 10

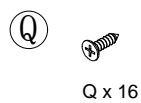
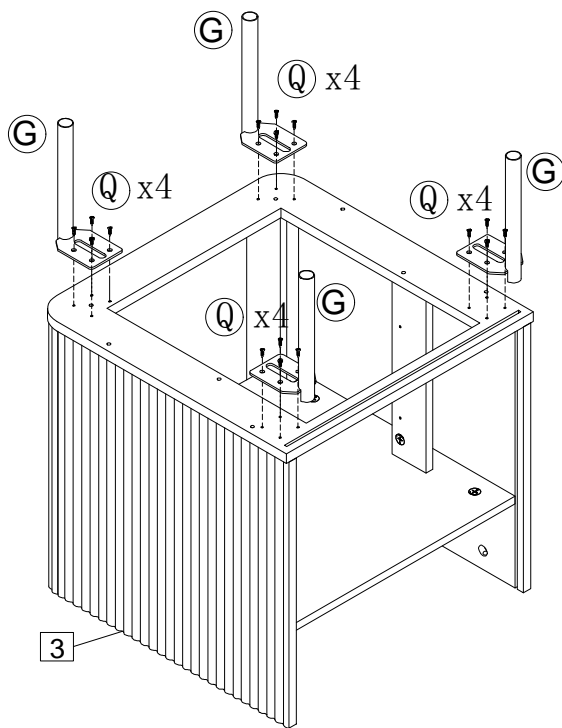


Assembly Instructions

Step 11

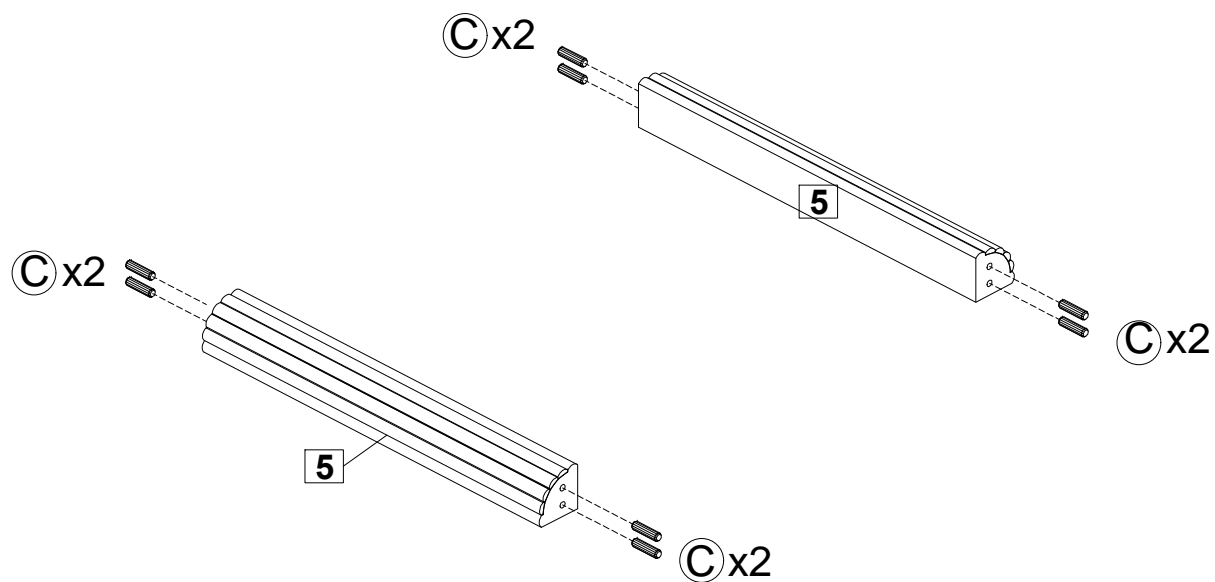
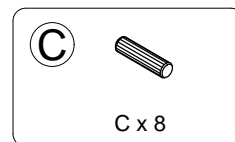


Step 12

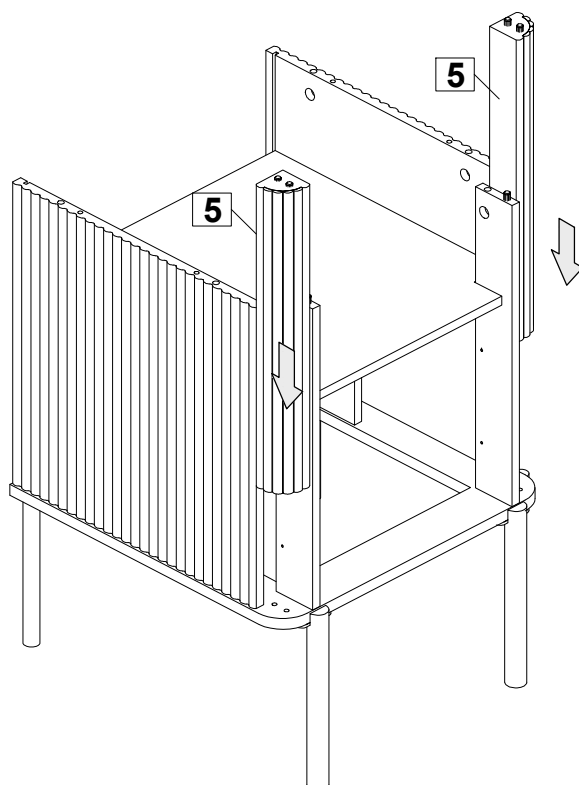


Assembly Instructions

Step 13

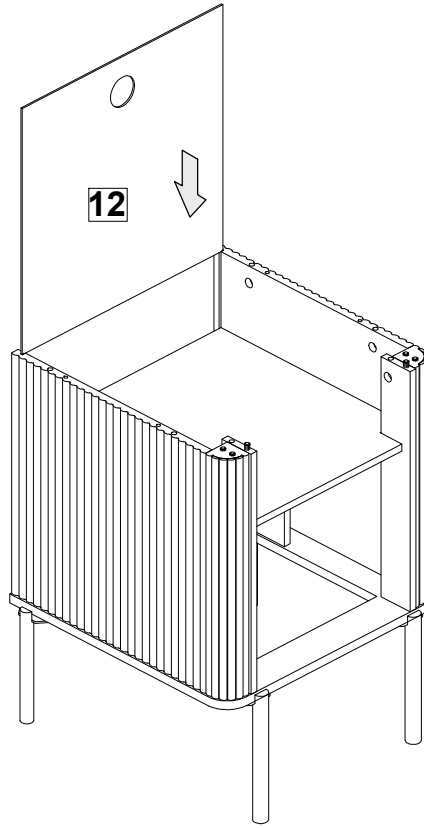


Step 14

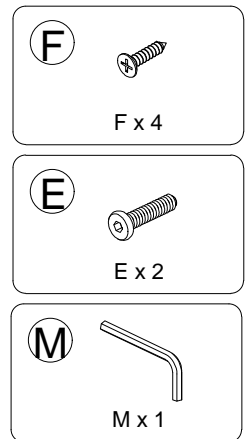
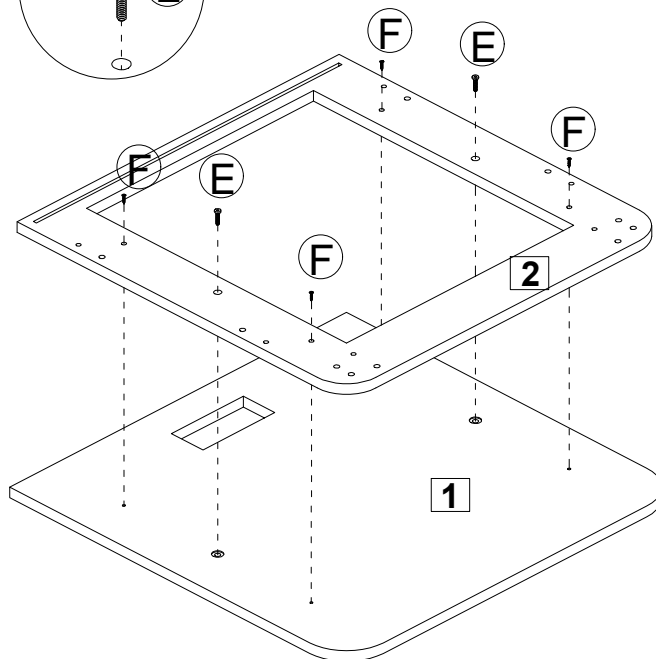
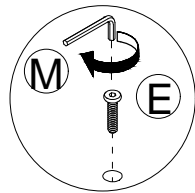
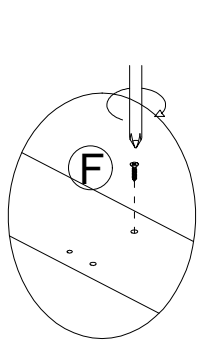


Assembly Instructions

Step 15

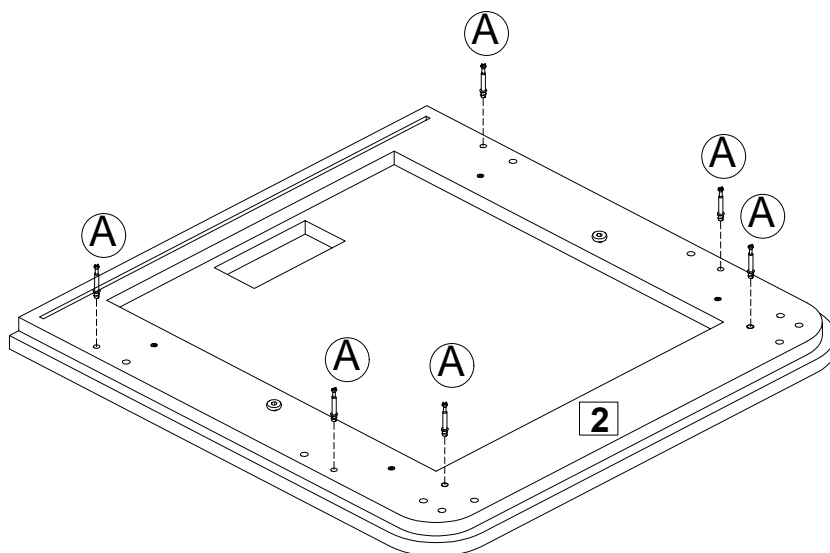
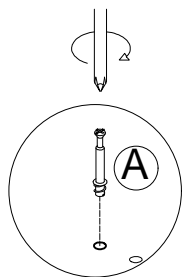
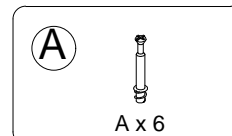


Step 16

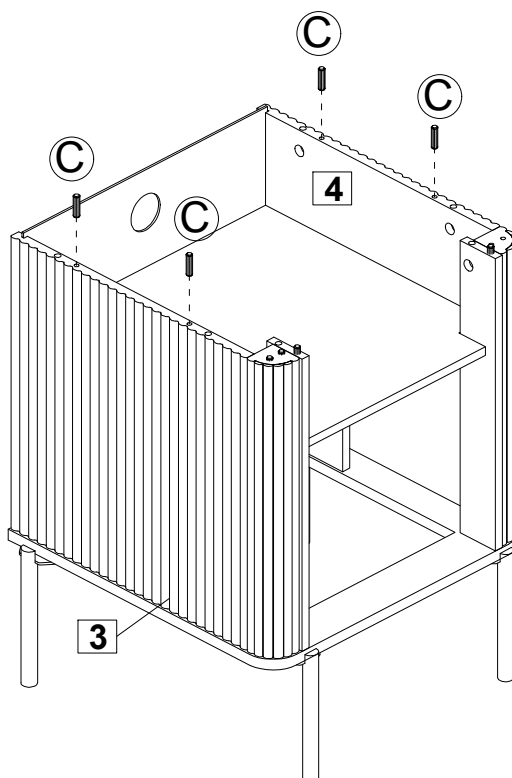
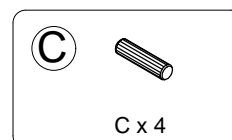


Assembly Instructions

Step 17

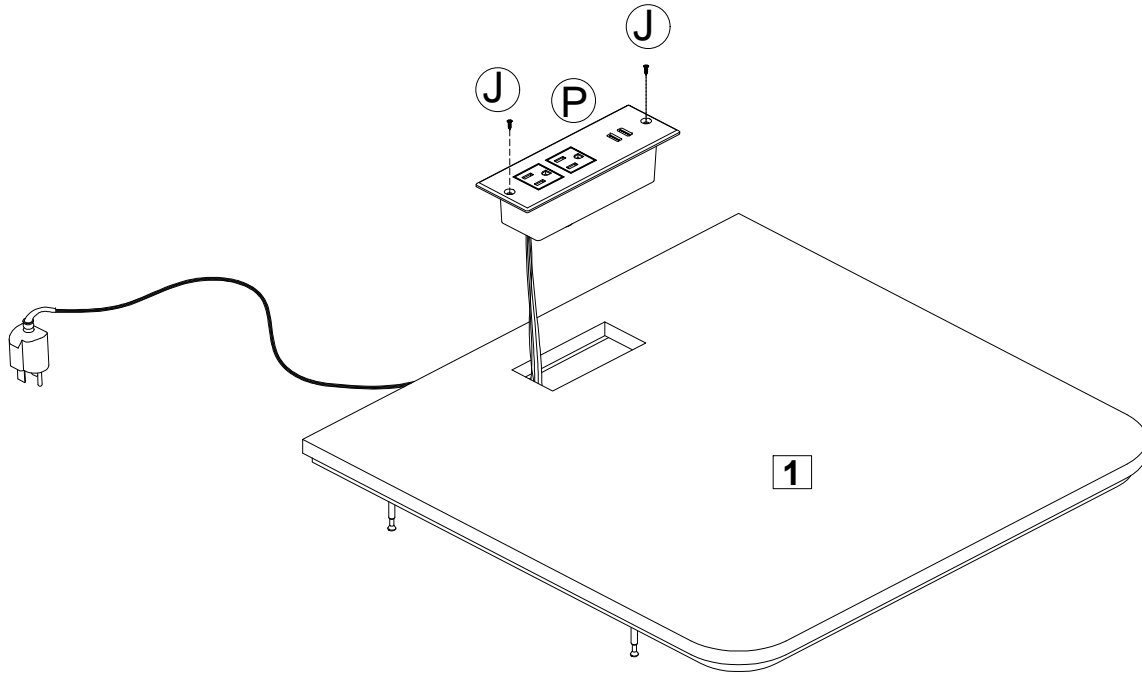
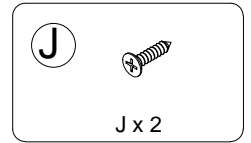
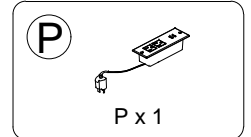


Step 18

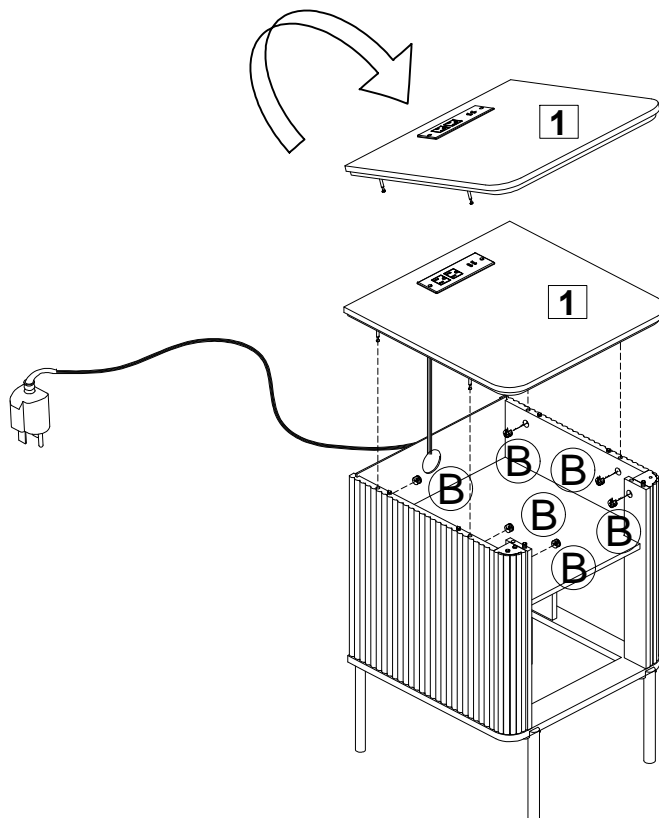
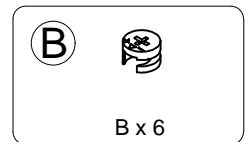


Assembly Instructions

Step 19

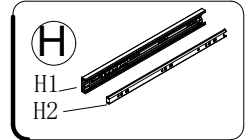


Step 20



Assembly Instructions

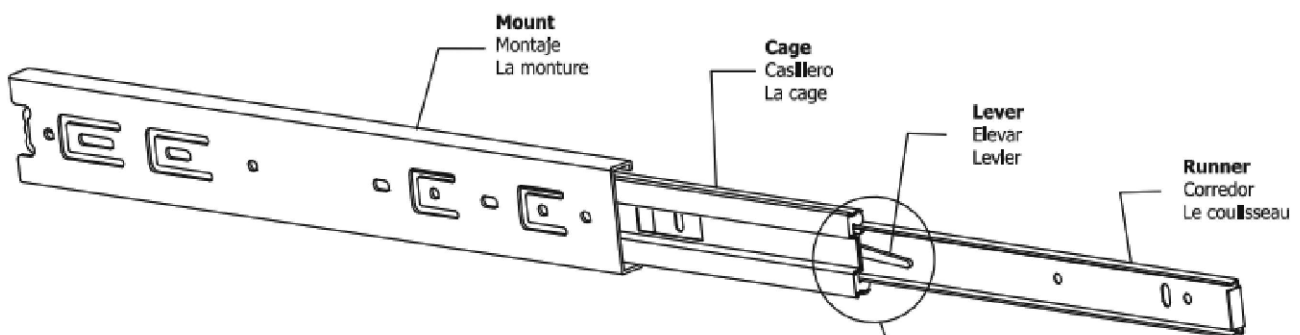
Step 21



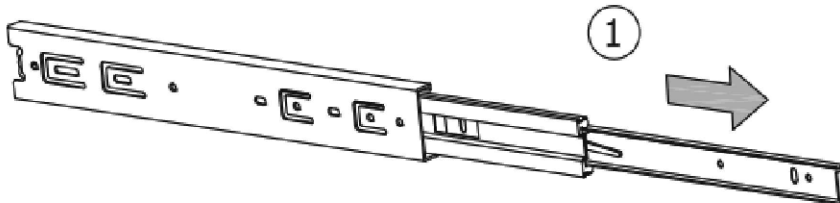
Slides Must Be Separated Before Assembly.
After Separated, Set Aside Until Needed for Assembly.

Las diapositivas deben separarse antes del montaje.
Después de la separación, déjelo a un lado hasta que sea necesario.

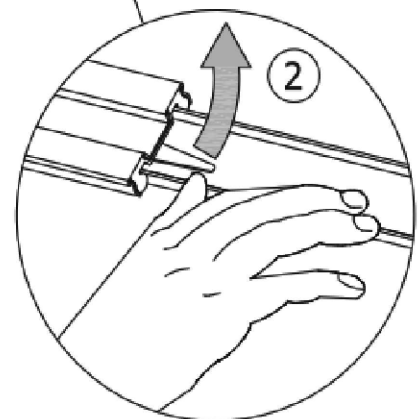
Les glissières doivent être séparées avant l'assemblage.
Après la séparation, mettez de côté jusqu'au moment de l'assemblage.



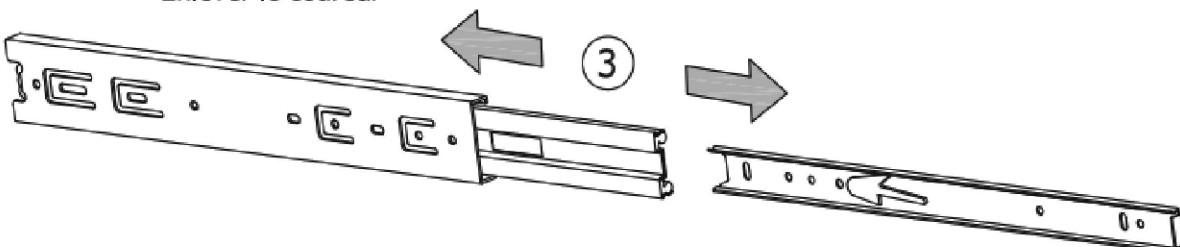
STEP 1: Extend Slide
Extender la diapositiva
Extendre la diapositive



STEP 2: Push Lever UP
Empujar hacia arriba
Lever le levier

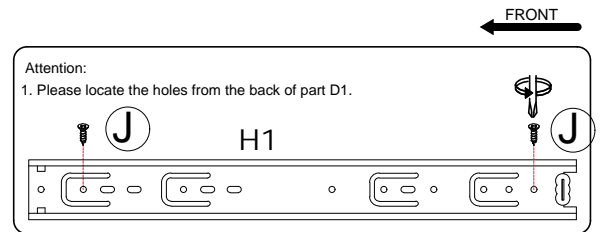
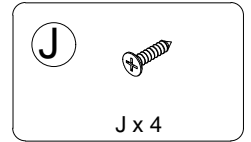
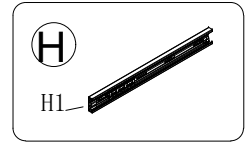
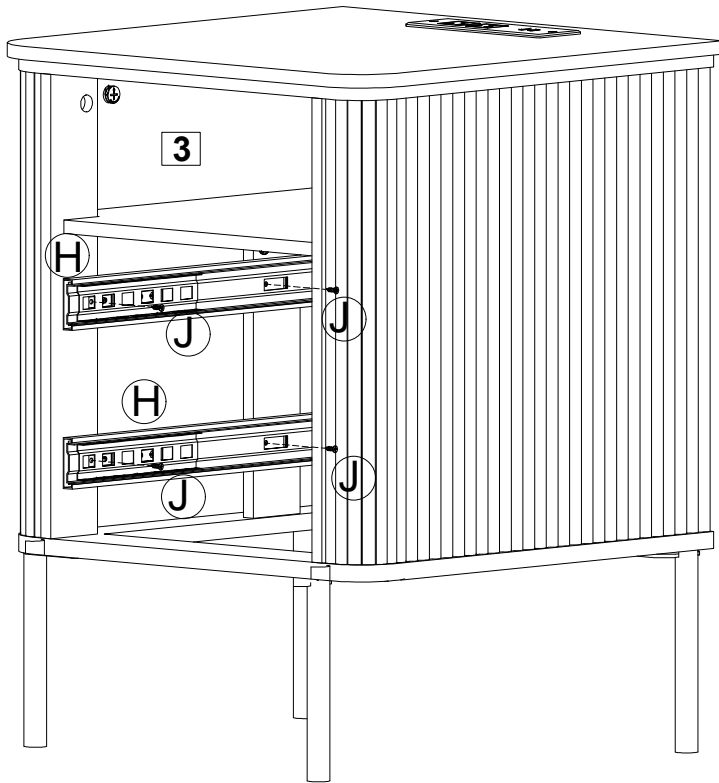


STEP 3: Remove Runner
Quitar el corredor
Enlever le coureur

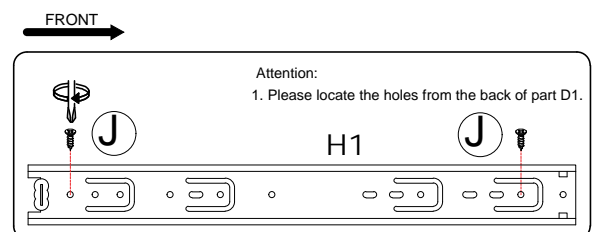
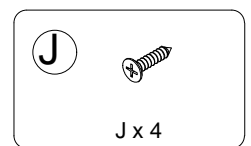
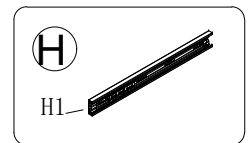
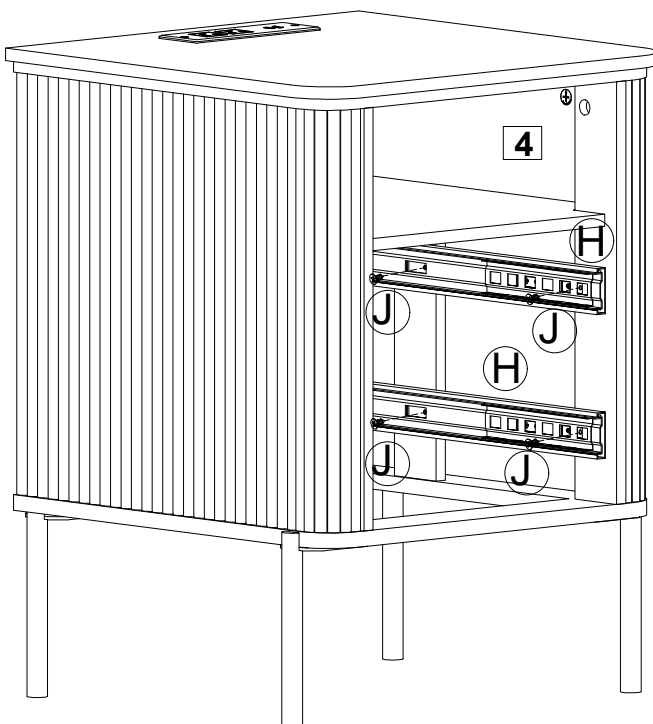


Assembly Instructions

Step 22

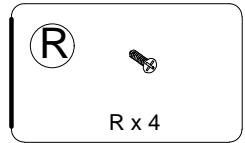
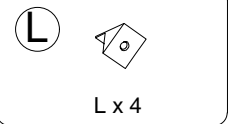
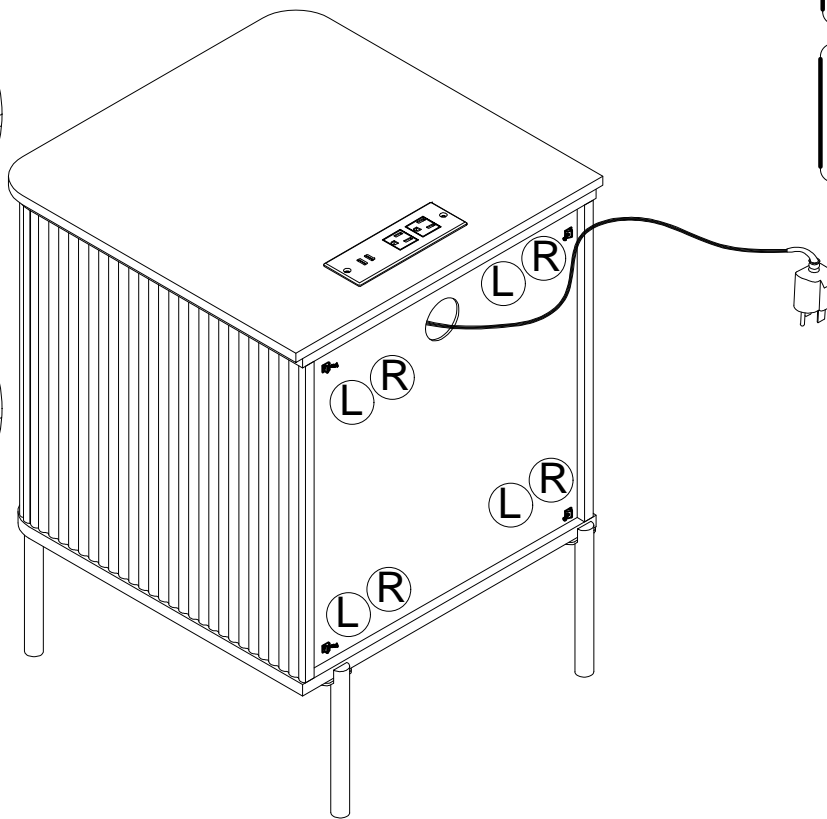
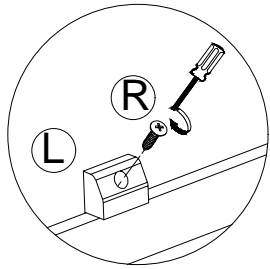
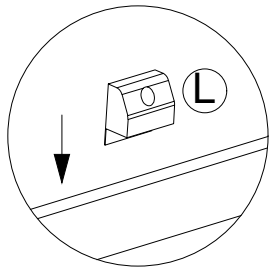


Step 23

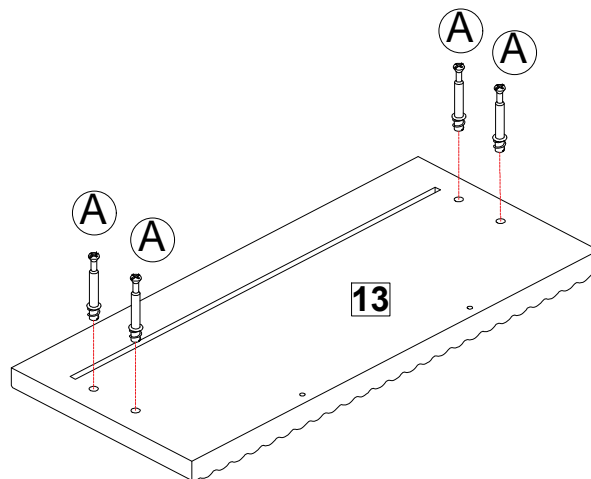
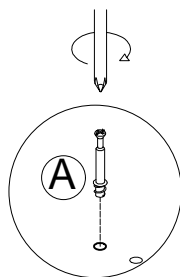
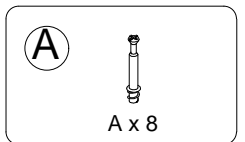


Assembly Instructions

Step 24



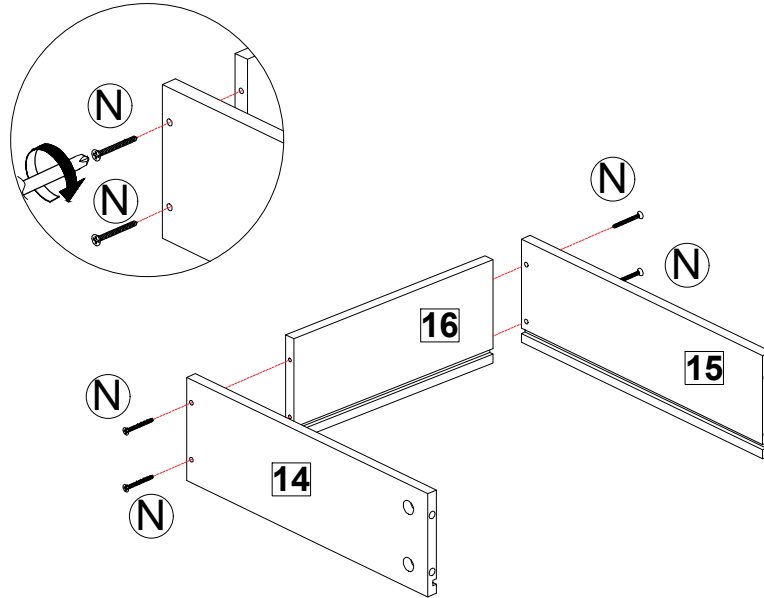
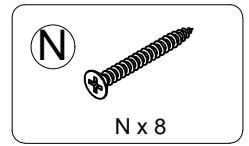
Step 25



x2

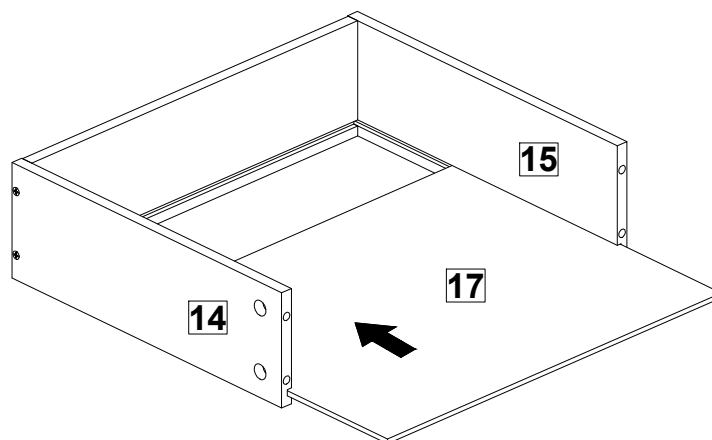
Assembly Instructions

Step 26



x2

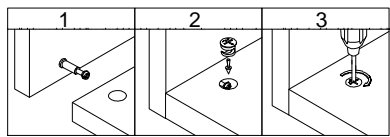
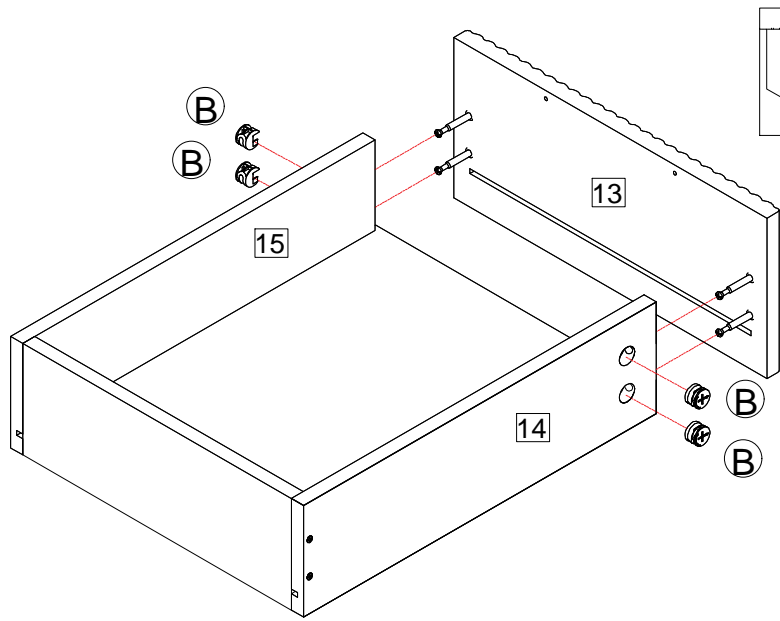
Step 27



x2

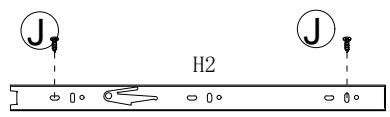
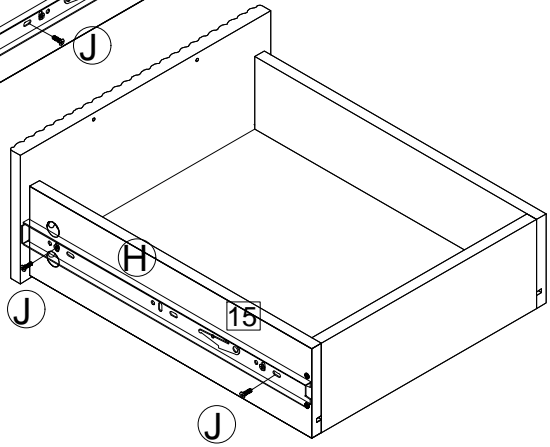
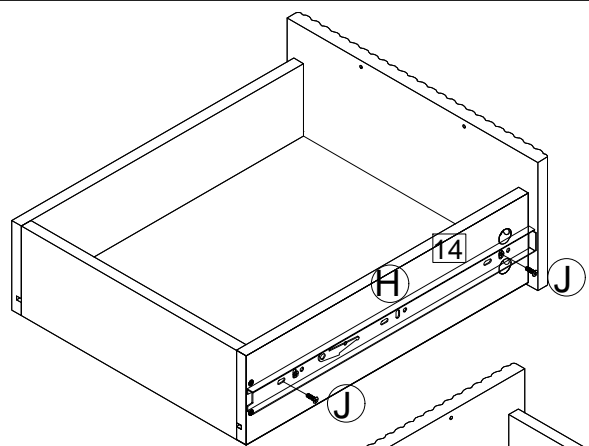
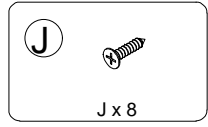
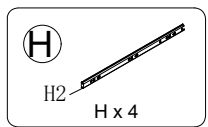
Assembly Instructions

Step 28



x2

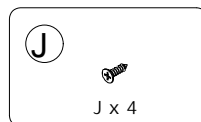
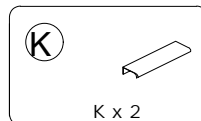
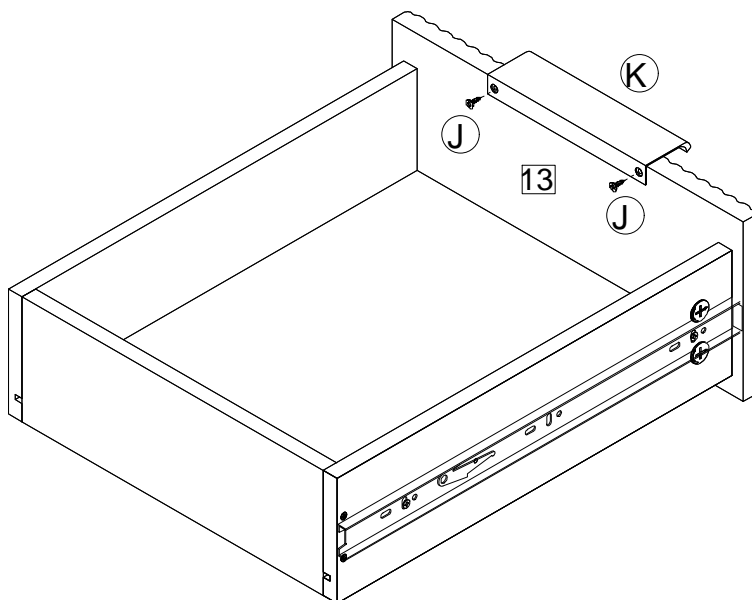
Step 29



x2

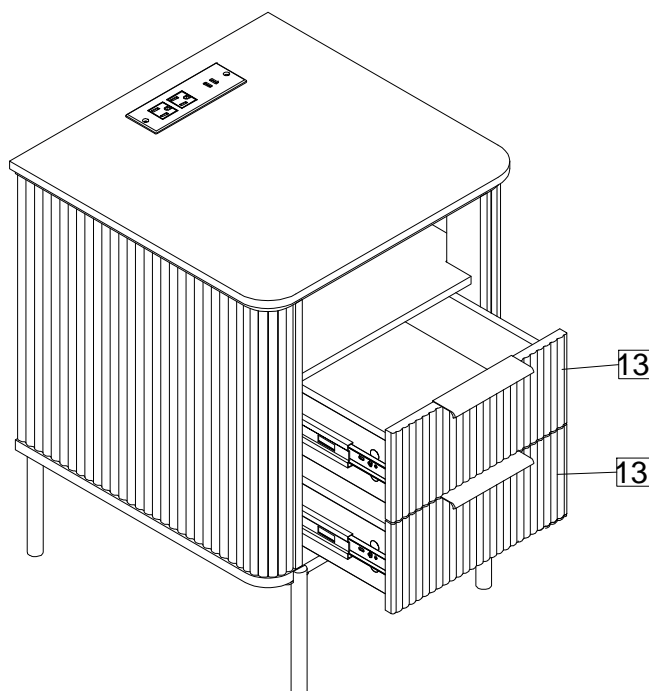
Assembly Instructions

Step 30



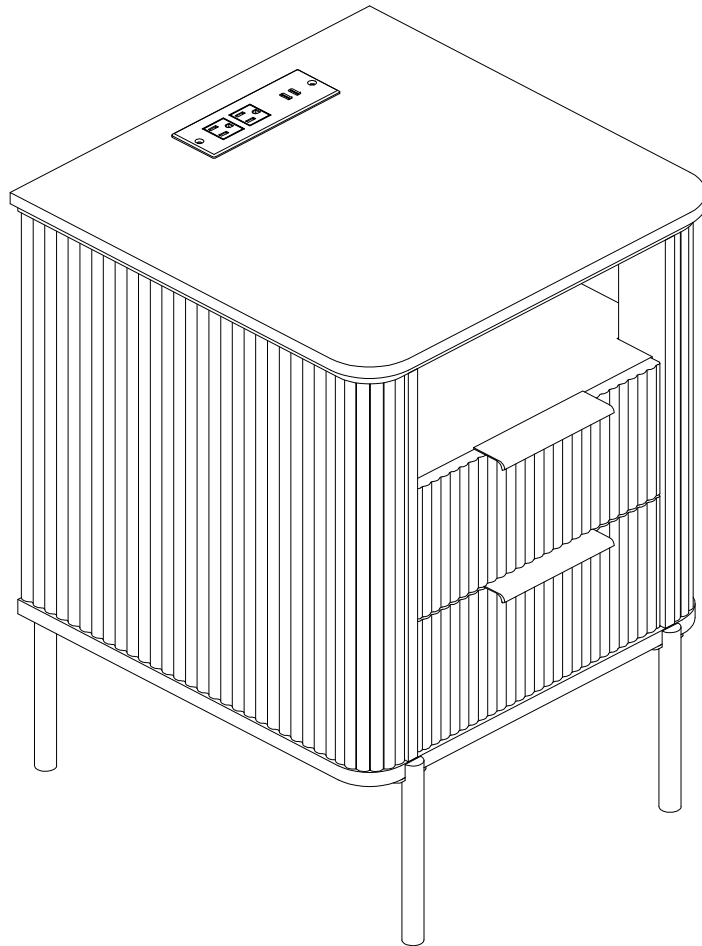
x2

Step 31



Assembly Instructions

Step 32



Assembly is complete.

WARRANTY

WARRANTY CLAIMS

- There is a 30-day warranty for broken furniture or any other problems that do not work properly. The warranty will start from the date of purchase which must be verified by proof of purchase.
- The product must be used in accordance with the instructions provided. For health reasons.
- For other reasons, if the furniture needs to be returned, it must be cleaned and dried and operated within 30 days of receipt.

Type of Warranty Claim

- Failure to follow the furniture instructions will invalidate the warranty. Attention please.
- Does not include damage during installation, but includes damage during transportation.

Scope of responsibility

- Shall not bear any responsibility for misuse or user damage and / or loss of parts during the installation of furniture.
- After using, the damage and scratches of the furniture are not covered by the warranty.

The Warranty Relates to All Bought in The Us and Covers The Following Areas

- Sheet parts: 1 month from the date of purchase.
- Electrical parts: 1 month from the date of purchase.

RETURNS

CHANGED YOUR MIND AND NEED TO RETURN YOU ITEM?

PLEASE FOLLOW THE BELOW INSTRUCTIONS:

- If you have purchased and have simply changed your mind, follow the retailer's instructions for returns.

DEFECTIVE ITEMS

- If your item is defective in any way, i.e. it doesn't work but you can't identify why, in the first instance, please consult our FAQ section at Furniture-AfterSales@outlook.com as there may be a simple solution to the issue.

DAMAGED ITEMS

- If you receive an order with obvious shipping damage from the retailer, then we suggest the delivery is refused. If the delivery has been accepted and then shipping damage is found, please follow the specific instructions advised by the retailer.

- In all circumstances please save all packaging material and paperwork for the order.

- Please be aware that if you dispose of packaging material or attempt to return the merchandise without contacting the fulfiller, you jeopardise your chances of making a claim, and you may not receive a credit for the return.

AFTER-SALES CONTACT



Furniture-AfterSales@outlook.com