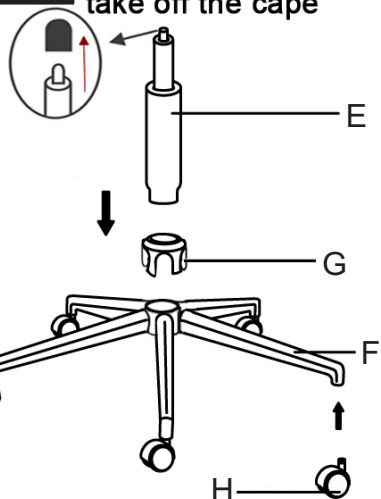


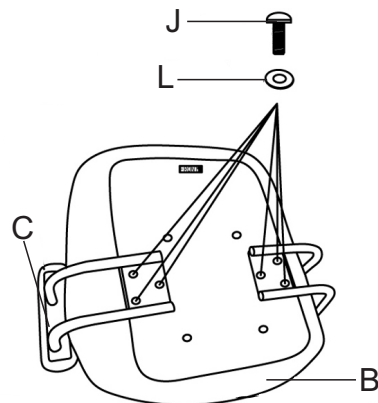
ASSEMBLY INSTRUCTION

ASSEMBLY PROGRAM

STEP 1 Attention: take off the cape

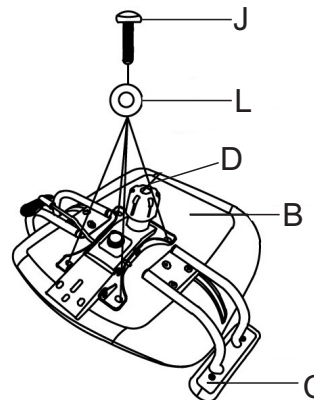


STEP 2 Assembly the armrest

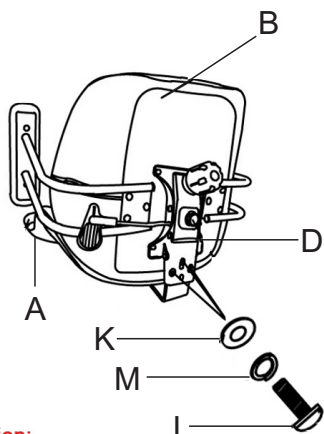


Attention:
Lock the screws to 80% first, then adjust the armrest to right position before tighten them.

STEP 3 Assembly the mechanism

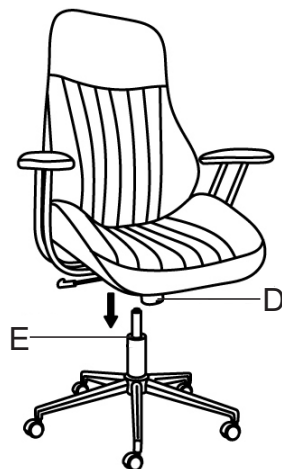


STEP 4 Assembly the backrest



Attention:
Lock the screws to 80% first, then adjust the backrest to be very straight before tighten them

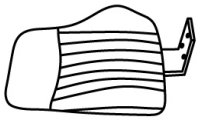





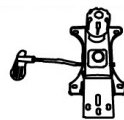







STEP 5



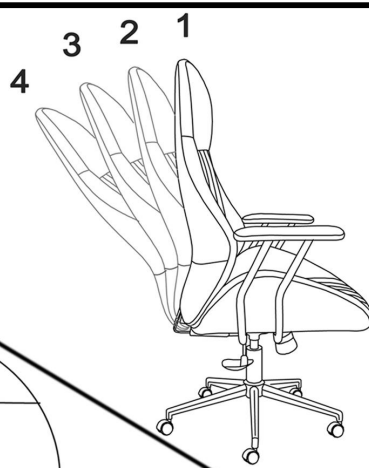
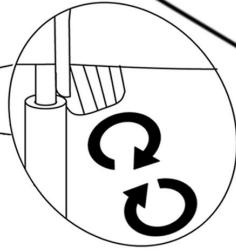
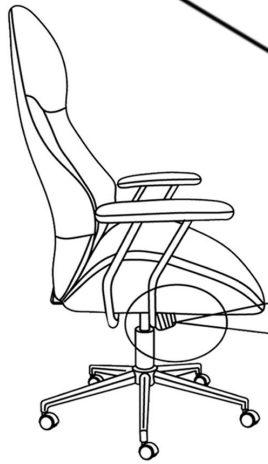
FINISH



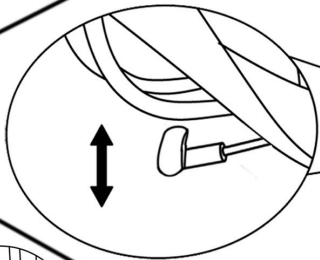
PARTS x QTY

A=Backrest x1	H=Caster x5
	
B=Cushion x1	I=Screw(M8X25mm) x3
	
C=Armrest x1	J=Screw(M6X20mm) x10
	
D=Mechanism x1	K=Spacer(M8X17mm) x3
	
E=Gaslift x1	L=Spacer(M6X18mm) x10
	
F=Base x1	M=Spacer(M8X13mm) x3
	
G=Art Cover x1	N=Spanner x1
	

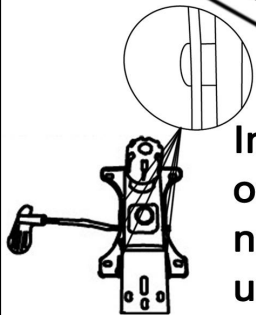
The back can be locked in 4 positions



Spin this button clockwise or anticlockwise, to increase or decrease the strength needed when pushing the backrest backwards

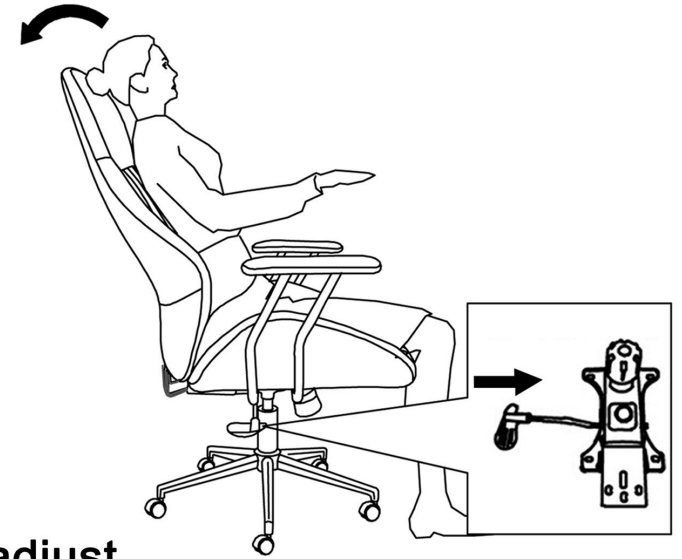


Adjust the lift of the seat



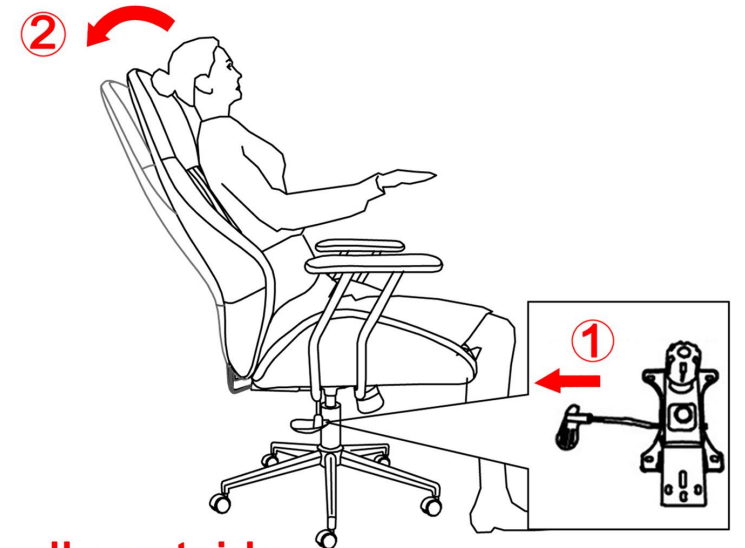
In case of abnormal noise or not smooth use of the mechanism, pls add the lubricating oil or edible oil on the marked place.

How to lock the position



Lean back and adjust to the desired angle, then push the handle inside

How to unlock the position



① Pull the handle outside

② Lean back and the backrest will be unlocked