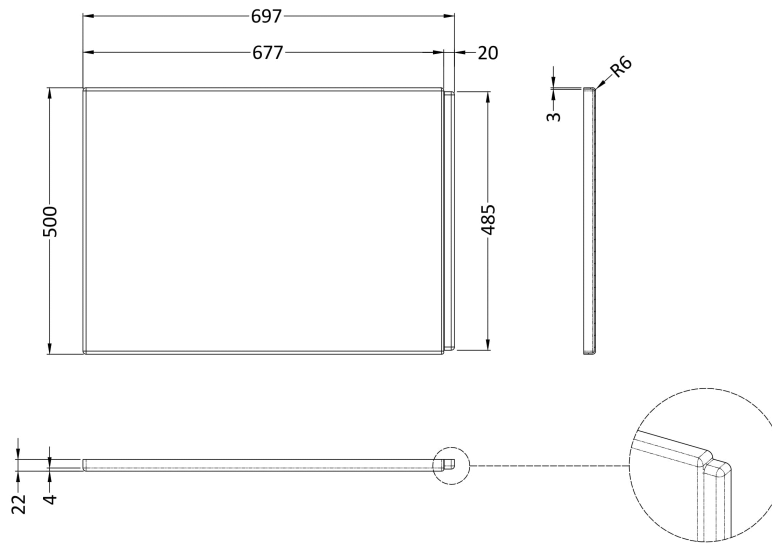


CUSTOMER DATA SHEET - BATHS

DESCRIPTION: Square Showerbath End Panel



PRODUCT DIMENSIONS			
Length (mm)	Width (mm)	Depth (mm)	Nett Wgt Kg
697	500	26	1.4

PACKAGING DIMENSIONS			
Length (mm)	Width (mm)	Depth (mm)	Gross Wgt Kg
27	710	555	1.4

PACKAGING DATA			
Box Colour	Polybagged With End Caps		
Box Qty	1	Label Colour	White Label
Label Size	100 X 50	Label Qty	1

OUTER BOX DIMENSIONS (If Applicable)			
Length (mm)	Width (mm)	Height (mm)	Gross Wgt Kg

PRODUCT DETAILS				
Country of Origin	Turkey	Certification	FSC	CE
Fitting Instruction	Yes	Material Colour Ref'	European White	
Product Material	Acrylic	Material Thickness	2mm	
Volume (Ltr)	N/A	Displaced Capacity	N/A	
Leg Set Inc'	Not Applicable	Waste Inc'	Not Applicable	
Drilled/Undrilled	Not Applicable	Includes Grips	Not Applicable	
Embossed	Not Applicable	No of Tapholes	Not Applicable	
Anti-Slip	Not Applicable			