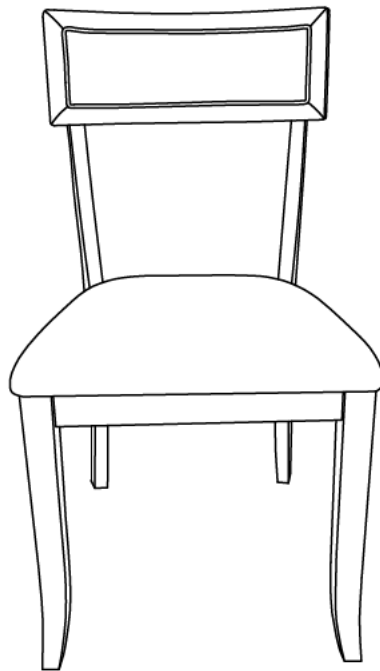
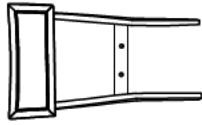
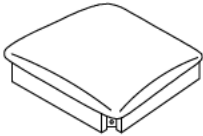
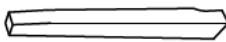
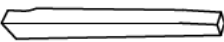


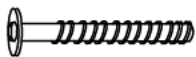
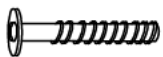
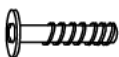


## Dining Chair




## PART LIST

A	B	C	D
			
<p>Back 2 PCS</p>	<p>Seat 2 PCS</p>	<p>Right Leg 2 PCS</p>	<p>Left Leg 2 PCS</p>

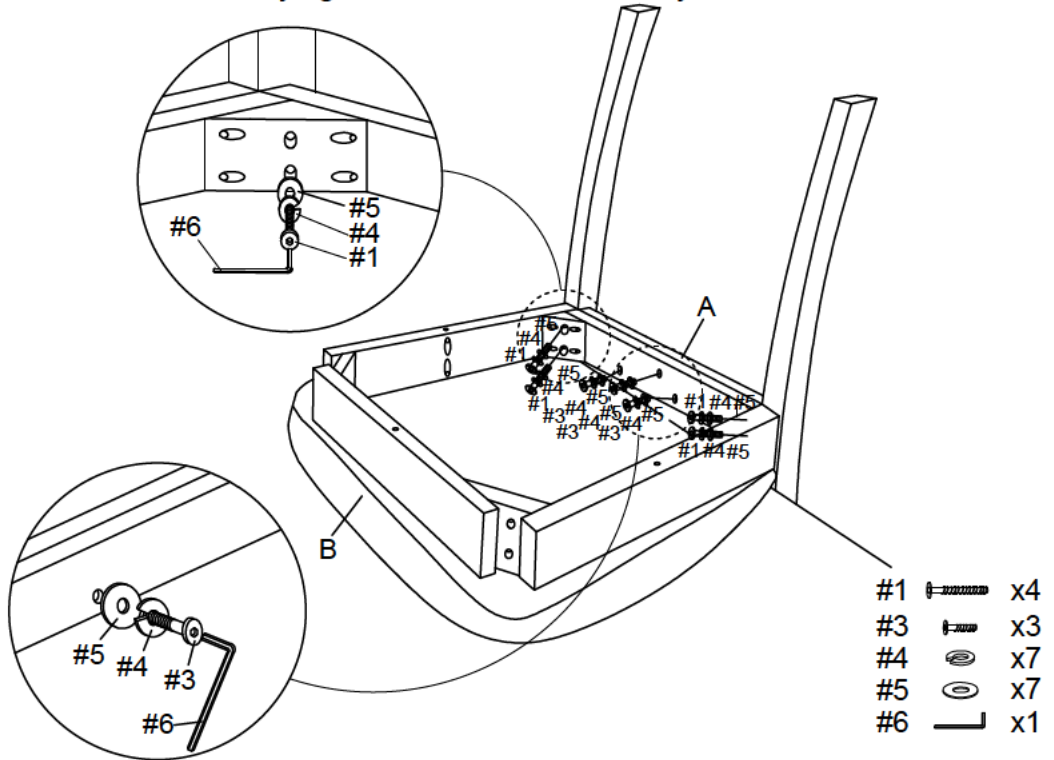
## HARDWARE LIST

#1	#2	#3	#4	#5
				
<p>M6 x 80mm Long Bolt 8 PCS (Extra 1)</p>	<p>M6 x 60mm Bolt 8 PCS (Extra 1)</p>	<p>M6 x 40mm Short Bolt 6 PCS (Extra 1)</p>	<p>Spring Washer 22 PCS (Extra 1)</p>	<p>Flat Washer 22 PCS (Extra 1)</p>

#6

<p>M4 Allen Wrench 1 PC</p>

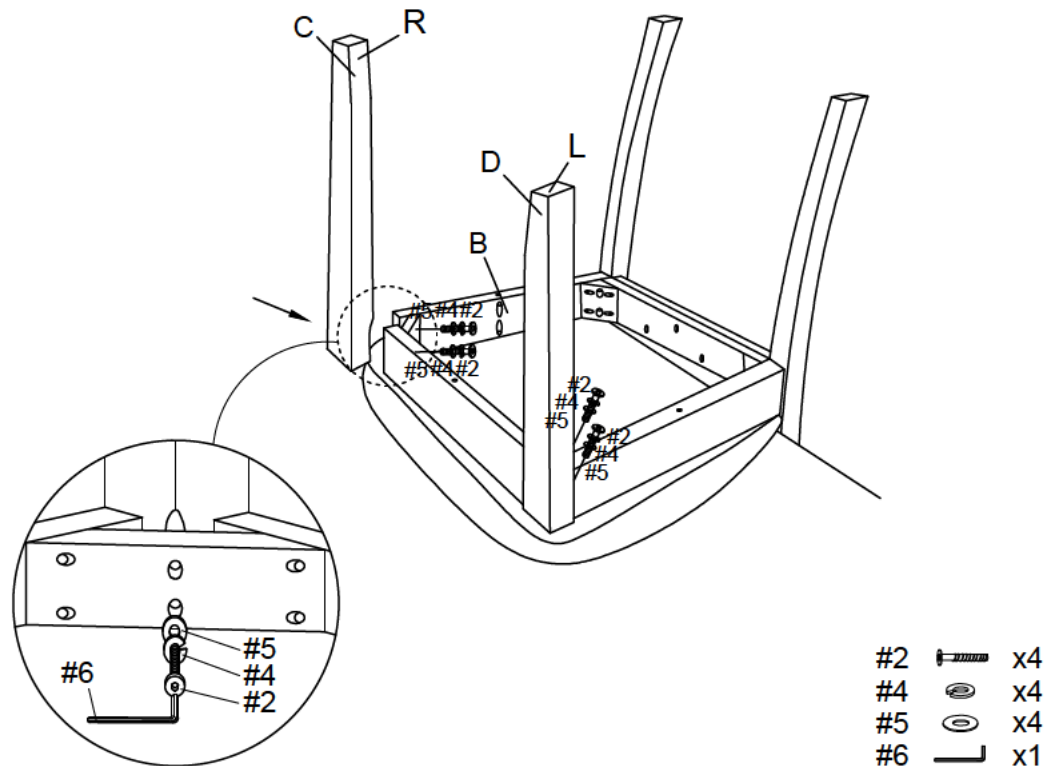
Step 1 . Attach seat (part B) to back (part A) using long bolts (part #1), short bolts (part #3), spring washers (part #4), flat washers (part #5), and allen wrench (part #6).

NOTE: Please do not fully tighten bolts until unit is fully assembled.



Step 2 . Attach legs (parts C & D) to seat (part B) using bolts (part #2), spring washers (part #4), flat washers (part #5) and allen wrench (part #6).

NOTE: Please fully tighten all bolts at this time.



Step 3. Carefully turn unit upright. Repeat steps 1-2 to assemble remaining chair.

