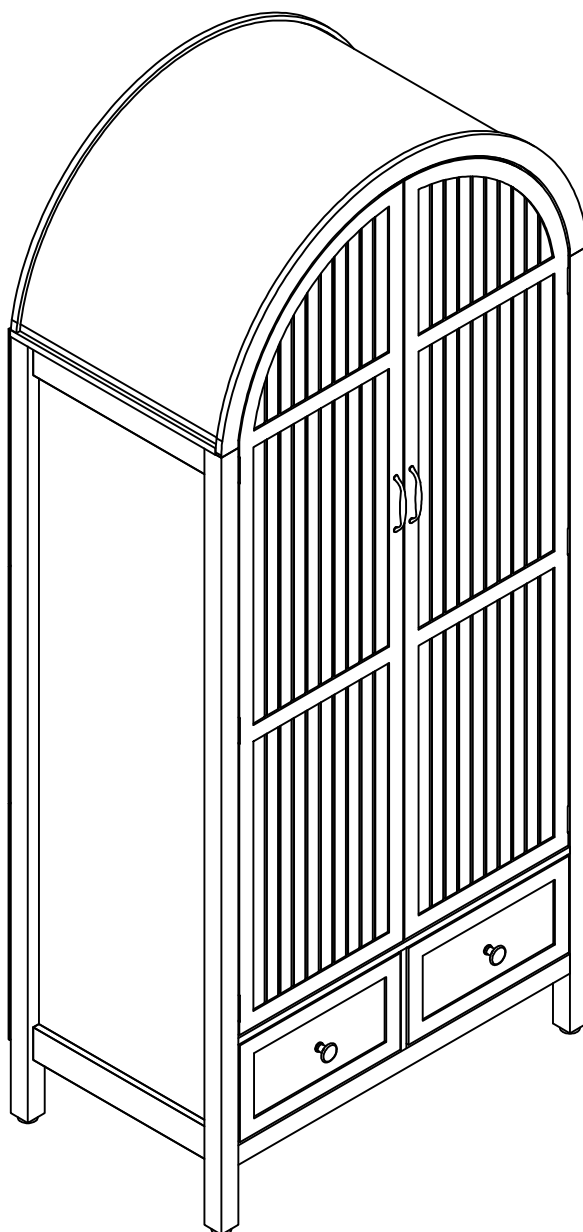
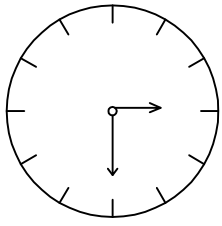


ASSEMBLY INSTRUCTION



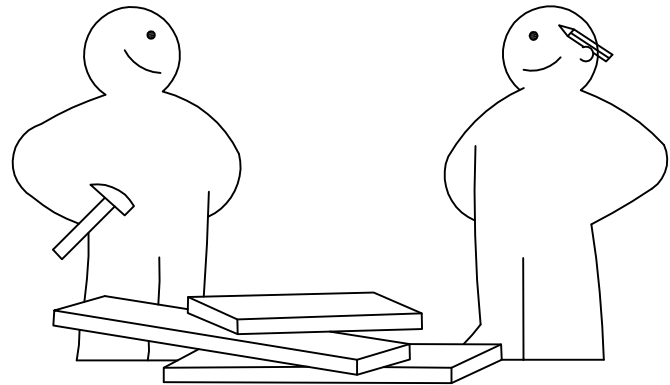
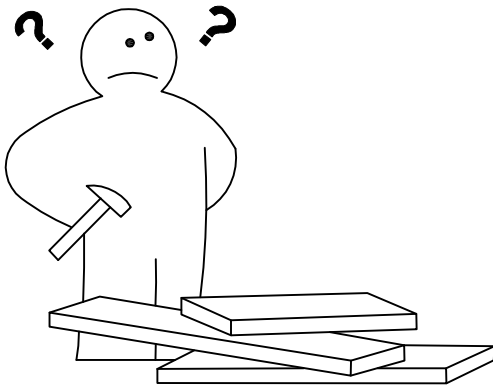
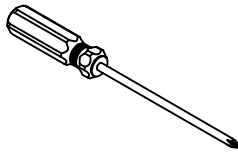
Estimated time for assembly



60:00

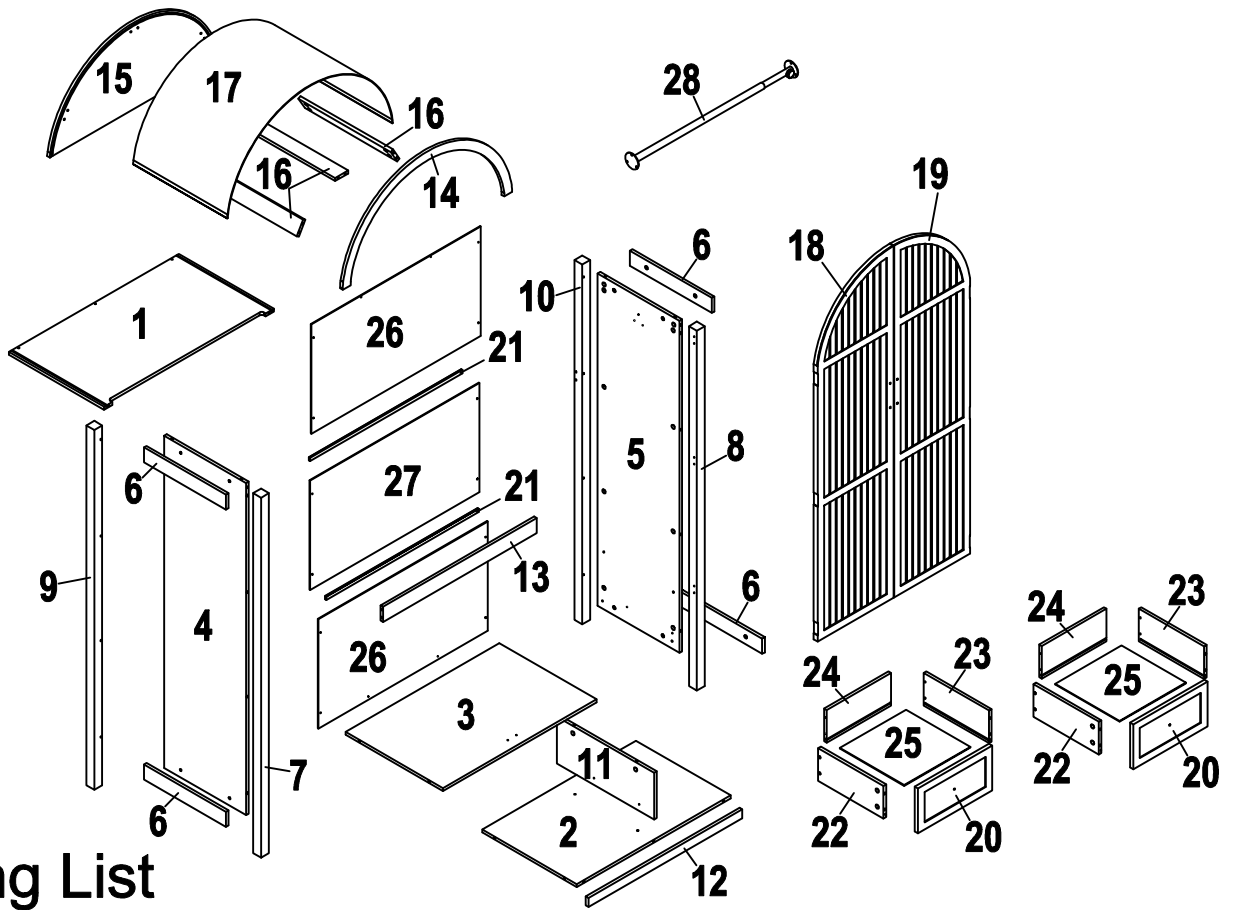
What you need

- Use the packaging carton as a working surface to prevent product damage during assembly.
- Phillips head screwdriver.

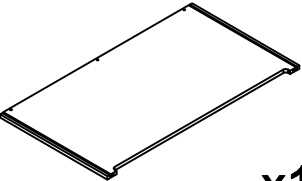
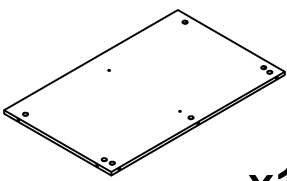
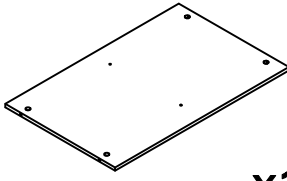

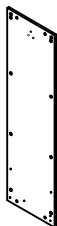
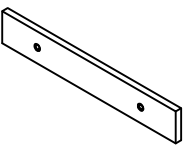


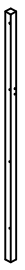
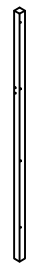
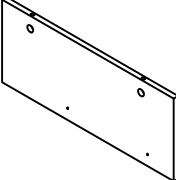
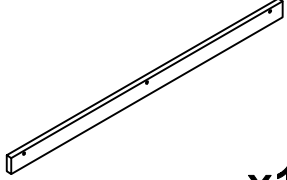
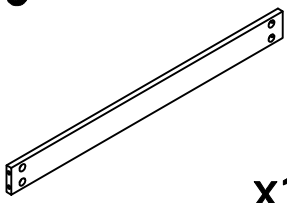
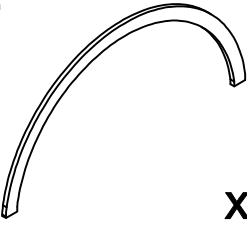
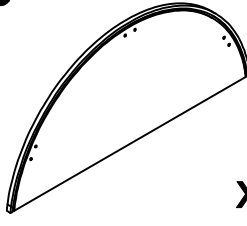
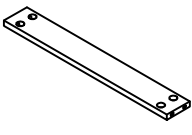


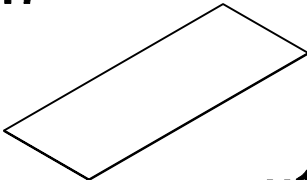
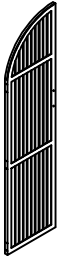

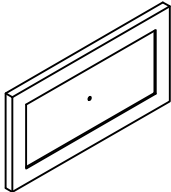
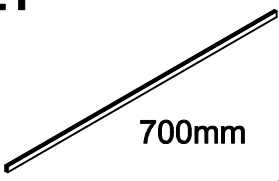
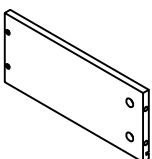
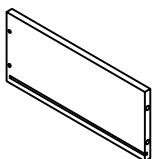
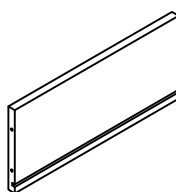
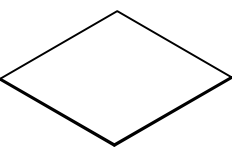
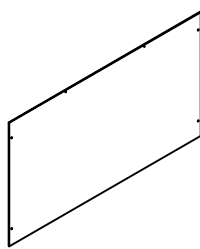
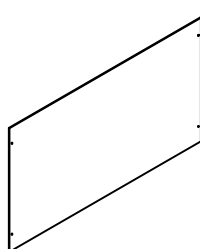
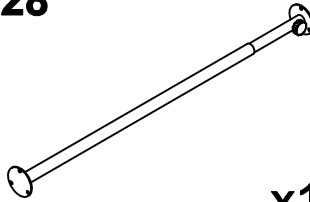
IMPORTANT:





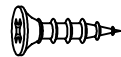
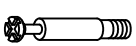

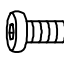
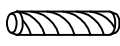

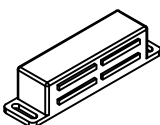
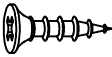
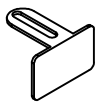
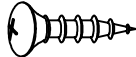
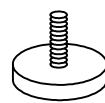



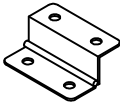




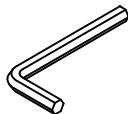
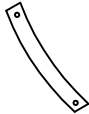
1. Do not tighten bolts / screws completely until all bolts / screws are lined up and inserted into holes.
2. Do not over tighten screws and bolts to avoid stripping
3. Please use hand tools to assemble this product, Do not use power tools.



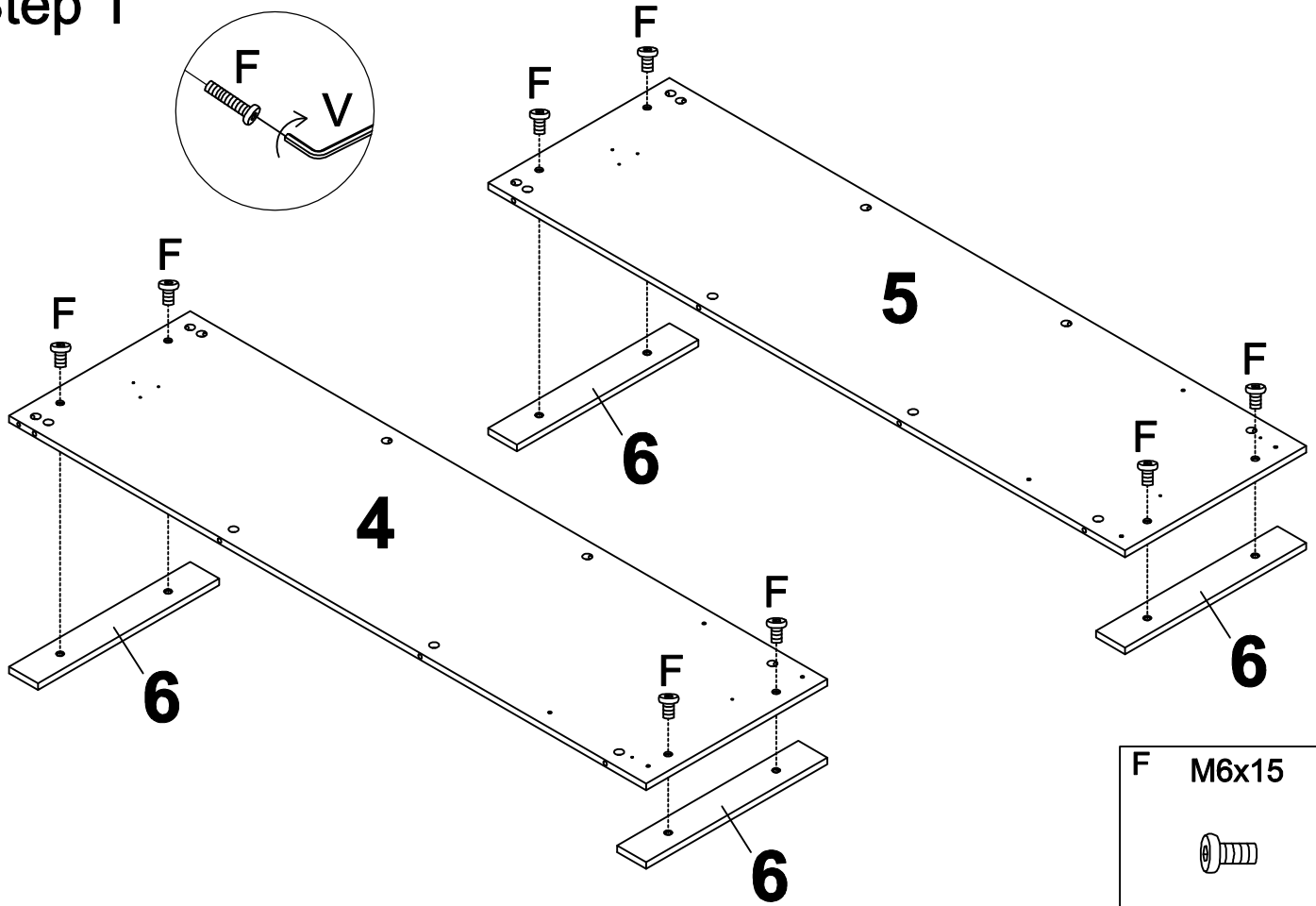
Packing List

1  x1	2  x1	3  x1	4  x1
5  x1	6  x4	7  x1	8  x1
9  x1	10  x1	11  x1	12  x1
13  x1	14  x1	15  x1	16  x3

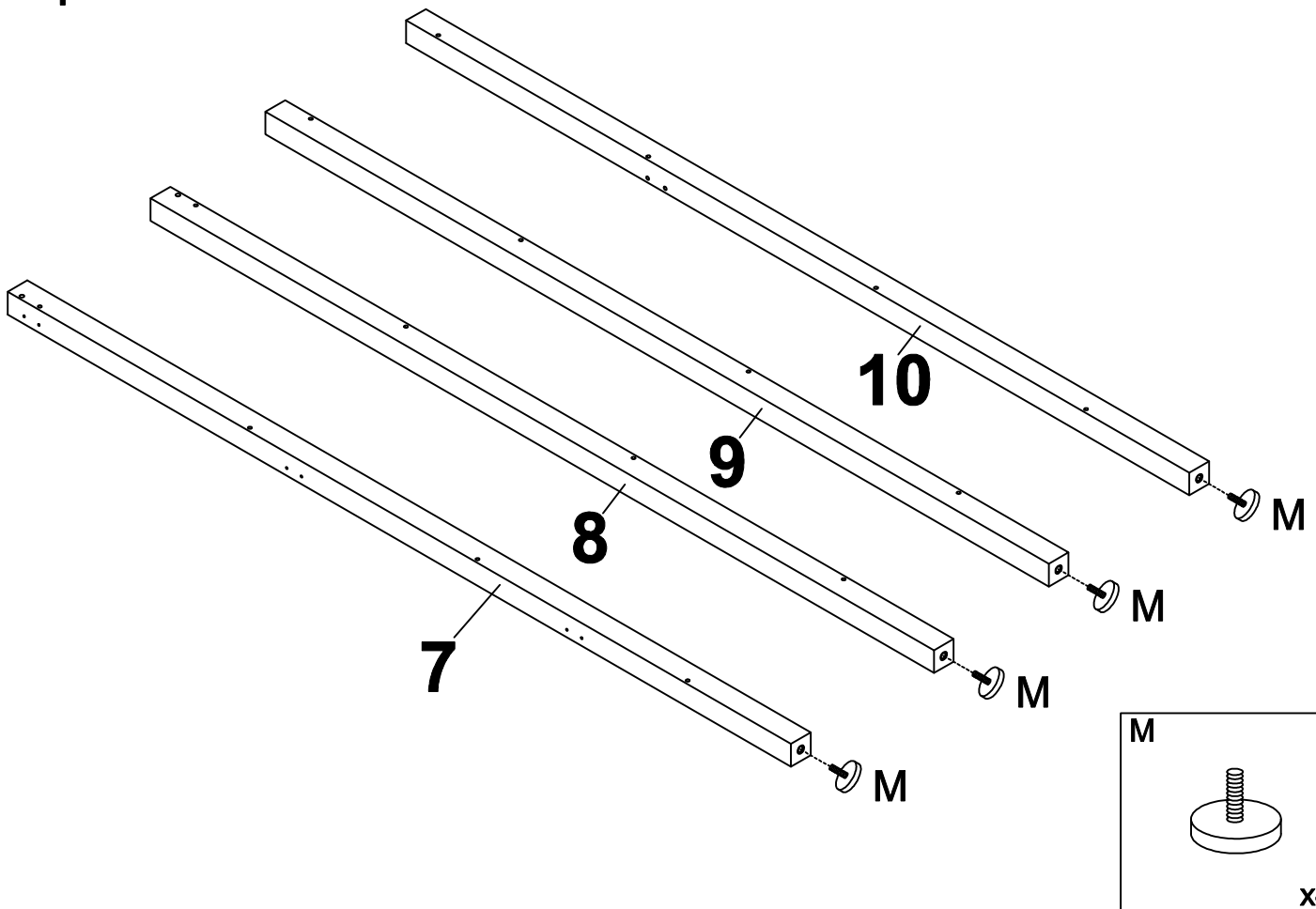
17  x1	18  x1	19  x1	20  x2
21  700mm x2	22  x2	23  x2	24  x2
25  x2	26  x2	27  x1	28  x1

A1  x2	A2  x2	B1  x2	B2  x2	C M3.5x12  x36
D  x59	E  x59	F M6x15  x8	G M6x30  x2	H M5x40  x5
I  x1	J M3x14  x30	K  x1	L M4x12  x6	M  x4
N M3.5x40  x10	O  x2	P M4x22  x6	Q  x6	R  x2
S  x2	T  x2	U  x2	V  x1	W  x2

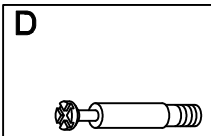
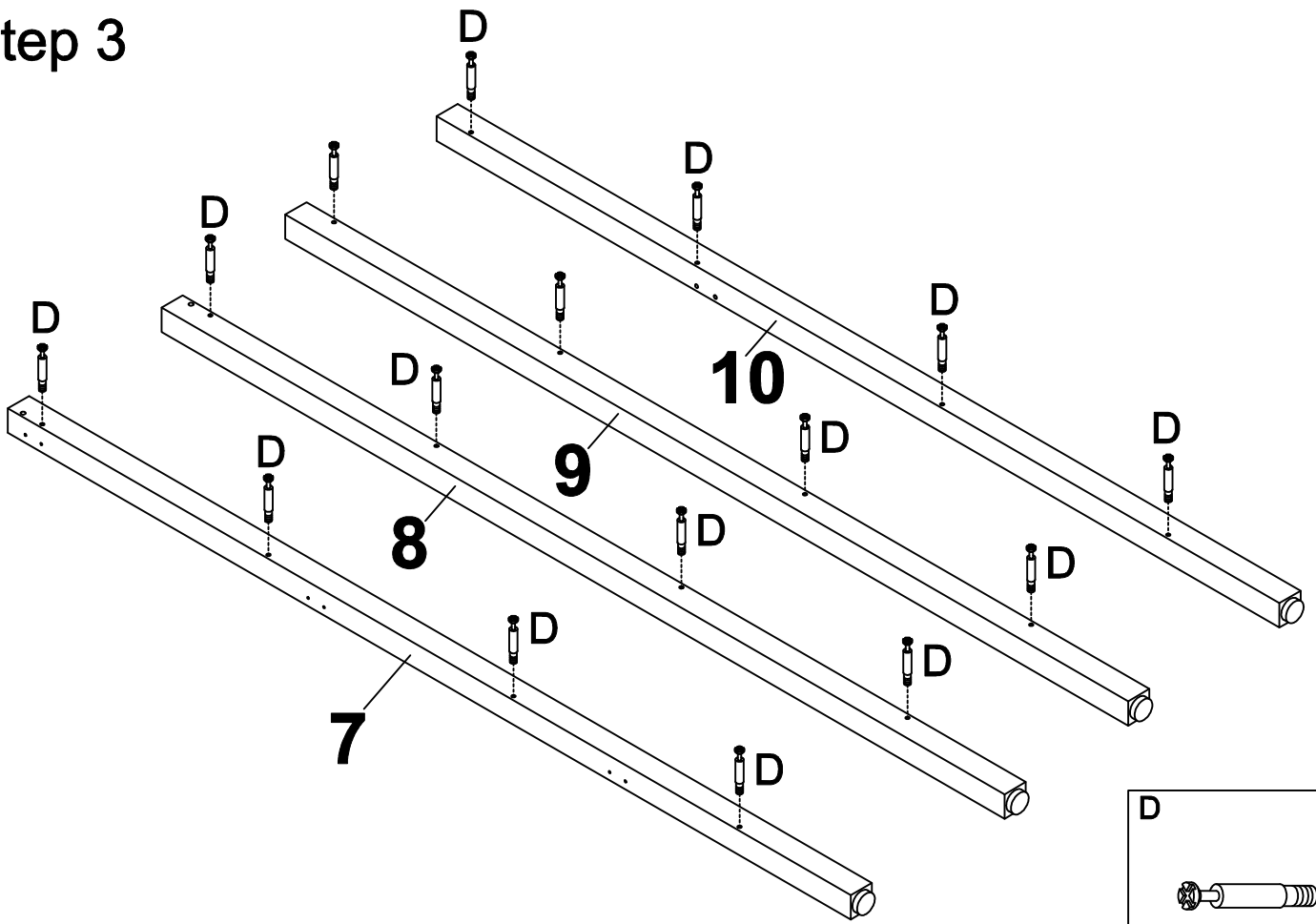
Step 1



Step 2

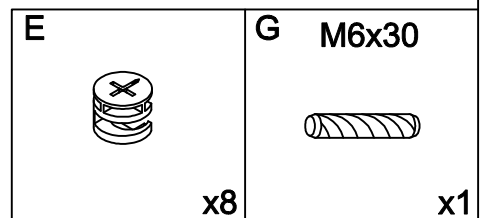
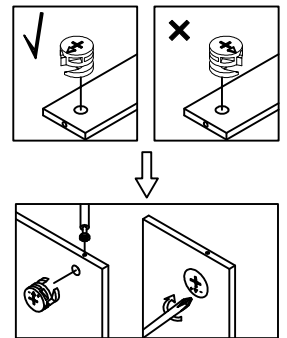
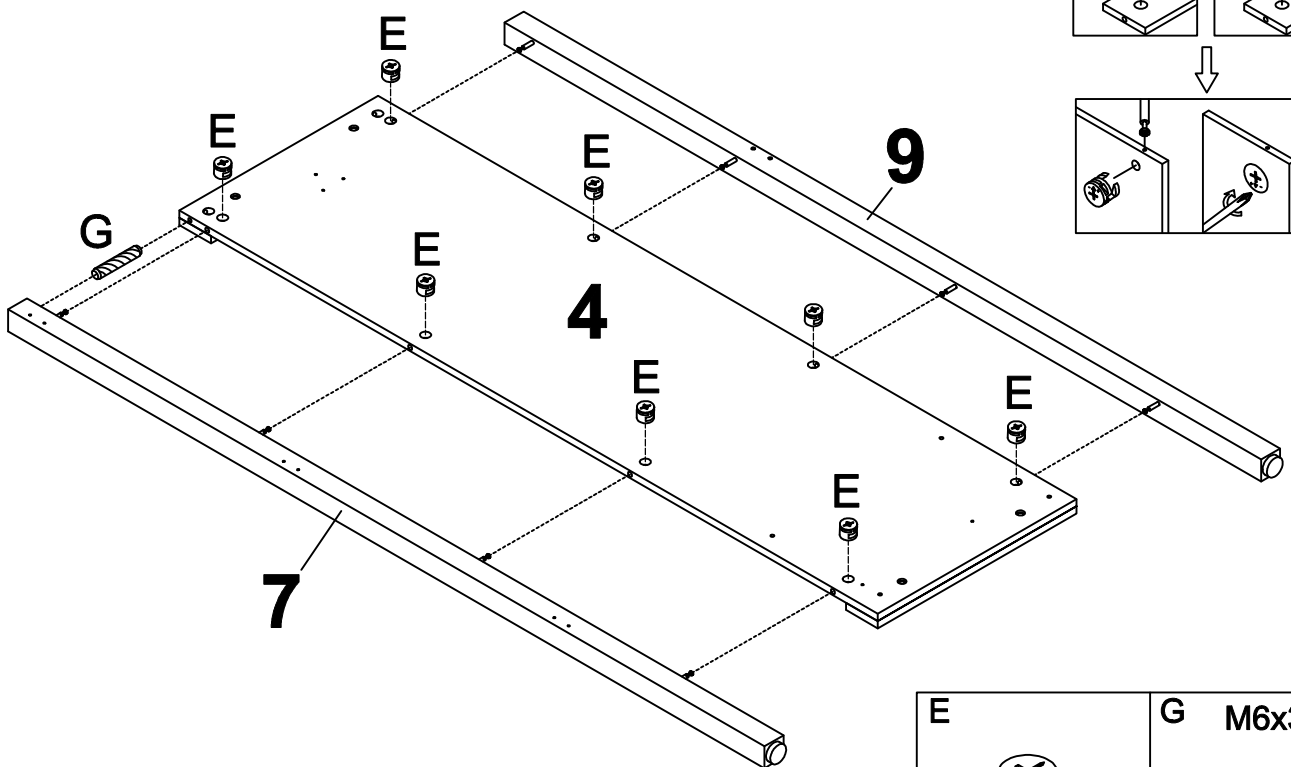


Step 3

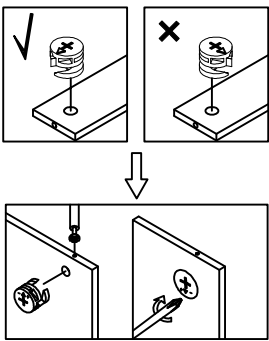
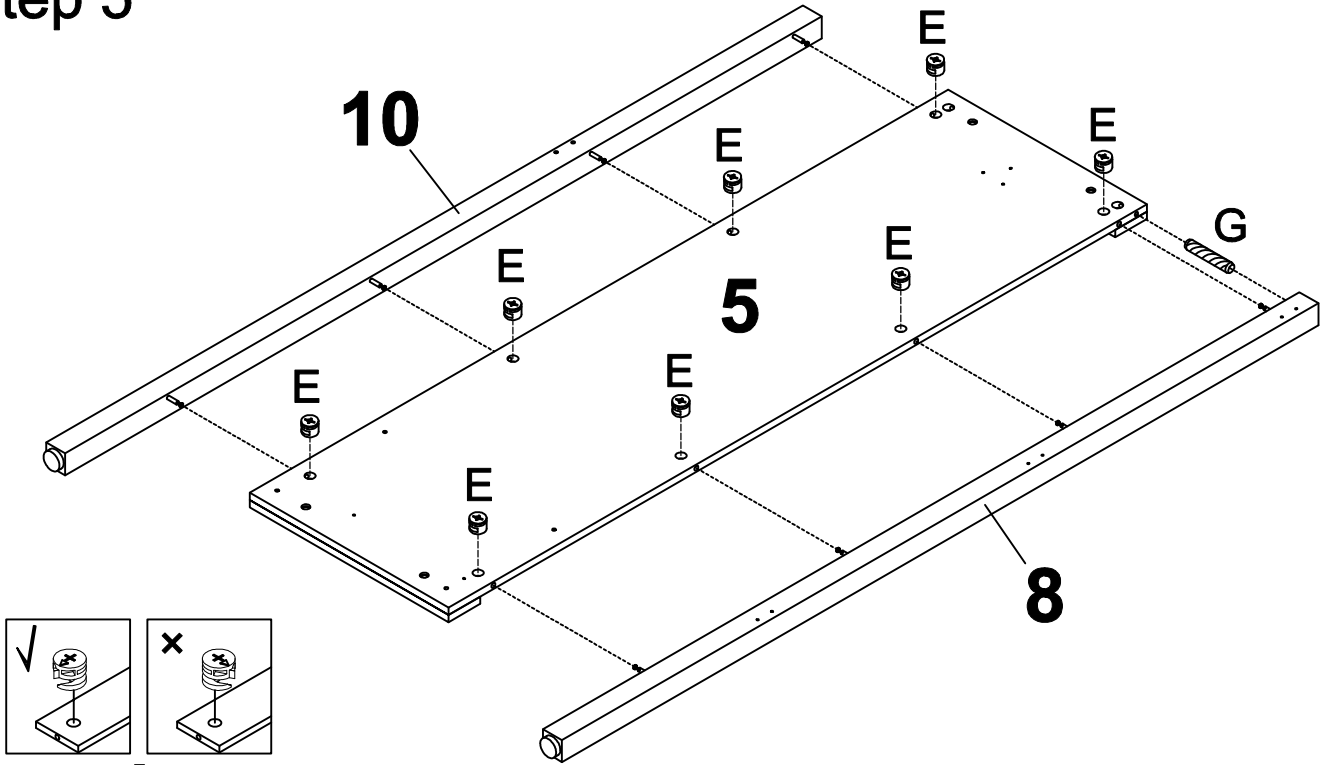


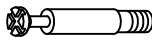


x16

Step 4

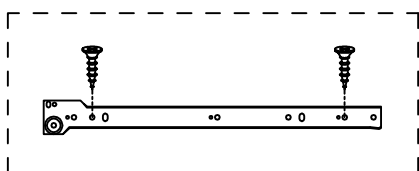
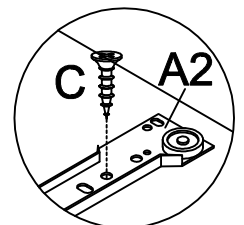
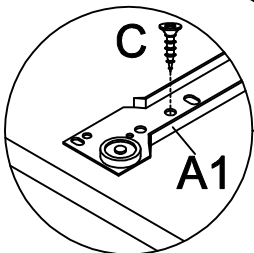
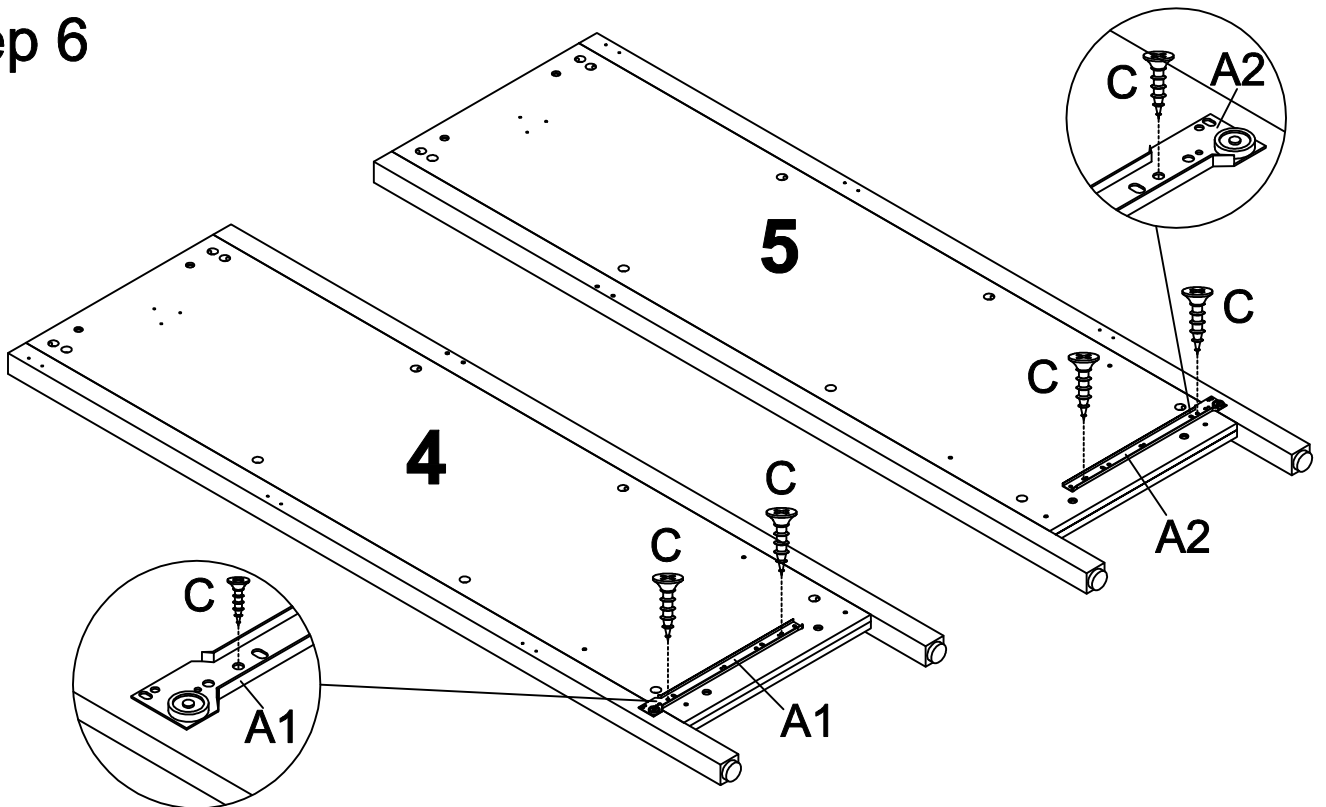




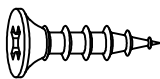
Step 5



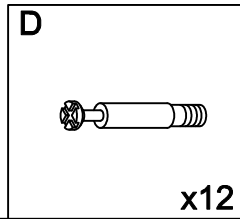
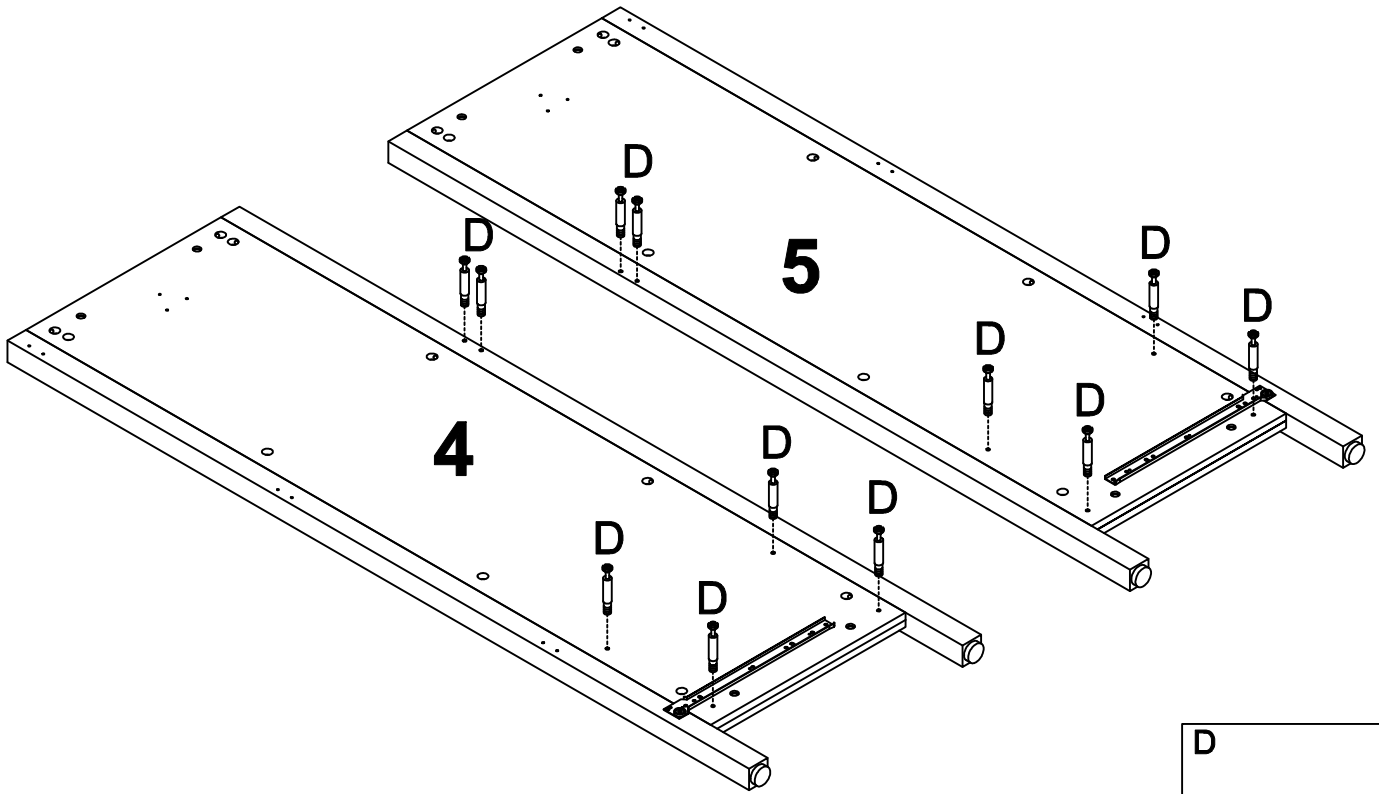
D  x8	E  x8	G M6x30  x1
---	--	--

Step 6

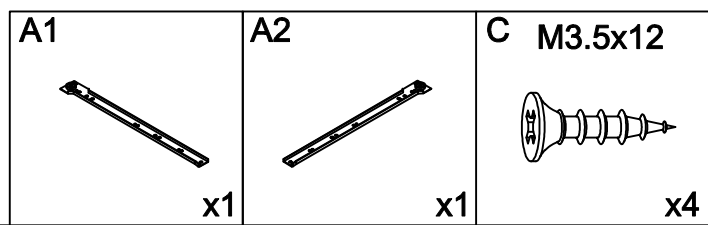
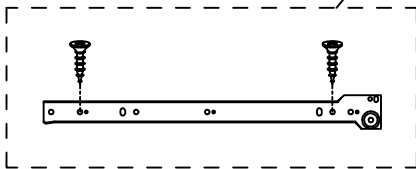
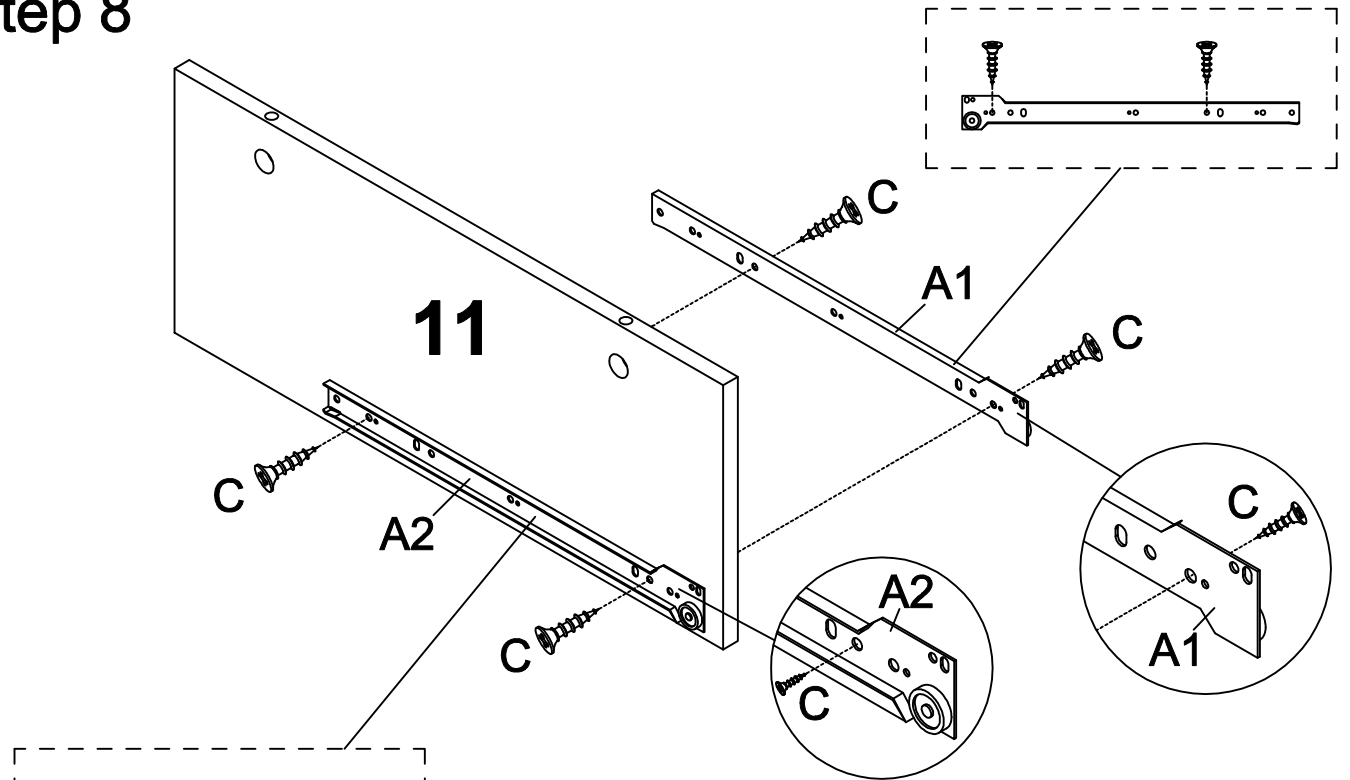


A1  x1	A2  x1	C M3.5x12  x4
---	--	---

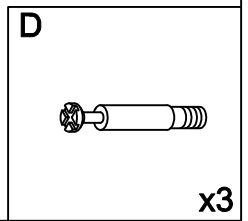
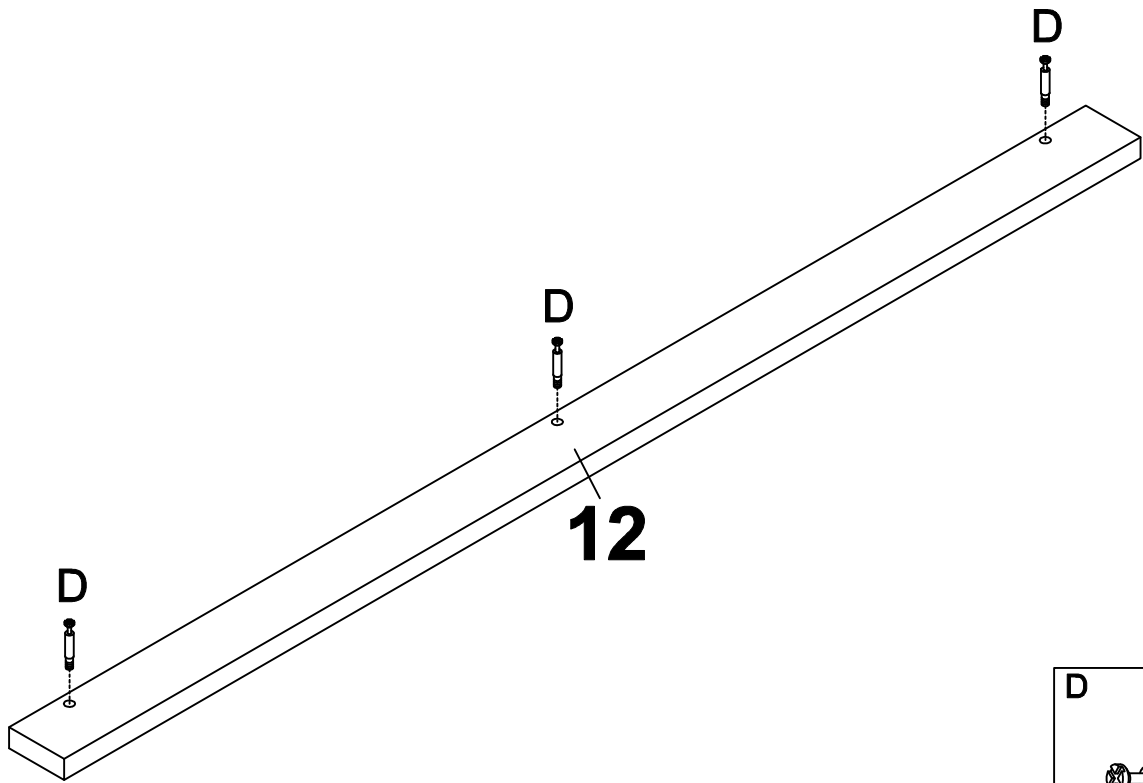
Step 7



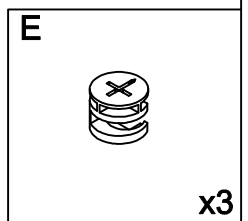
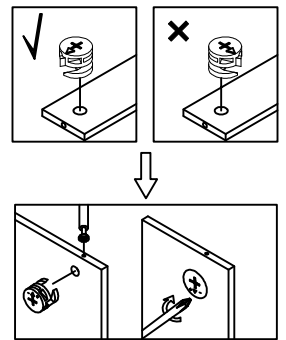
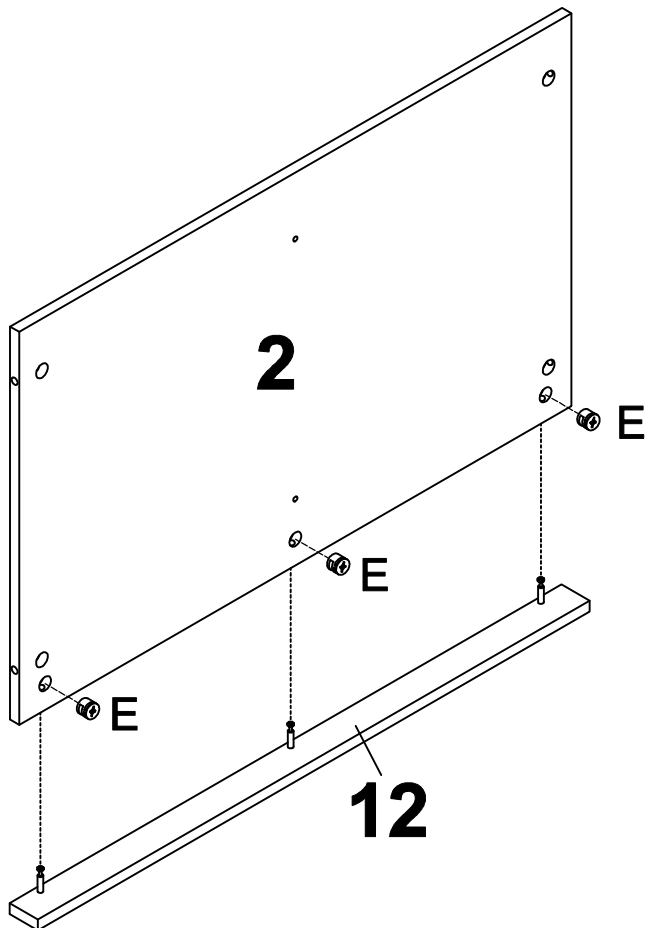
Step 8



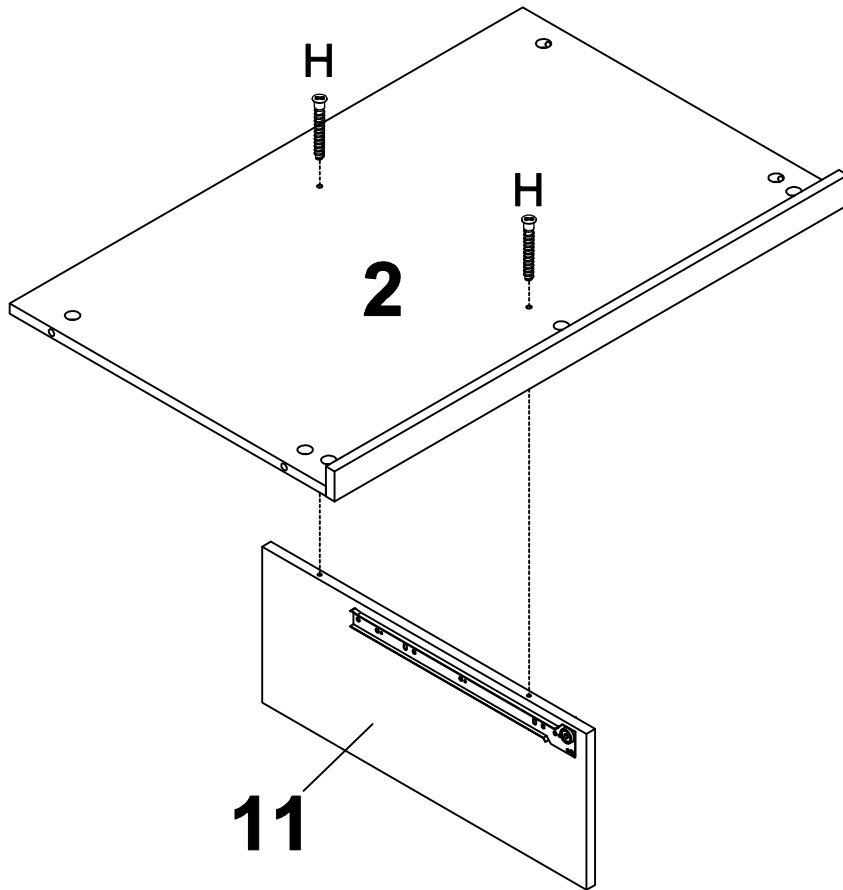
Step 9



Step 10



Step 11

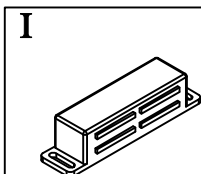
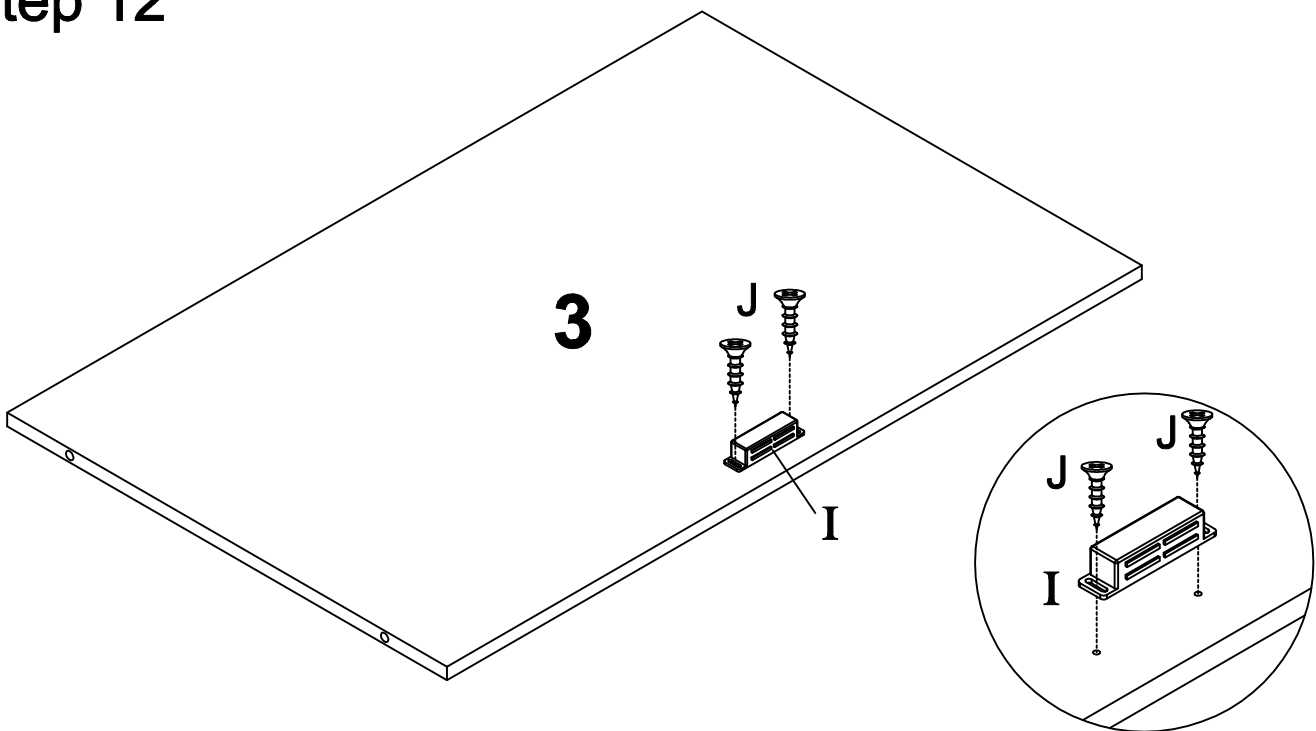


H M5x40



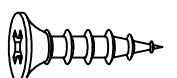
x2

Step 12



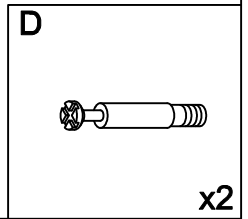
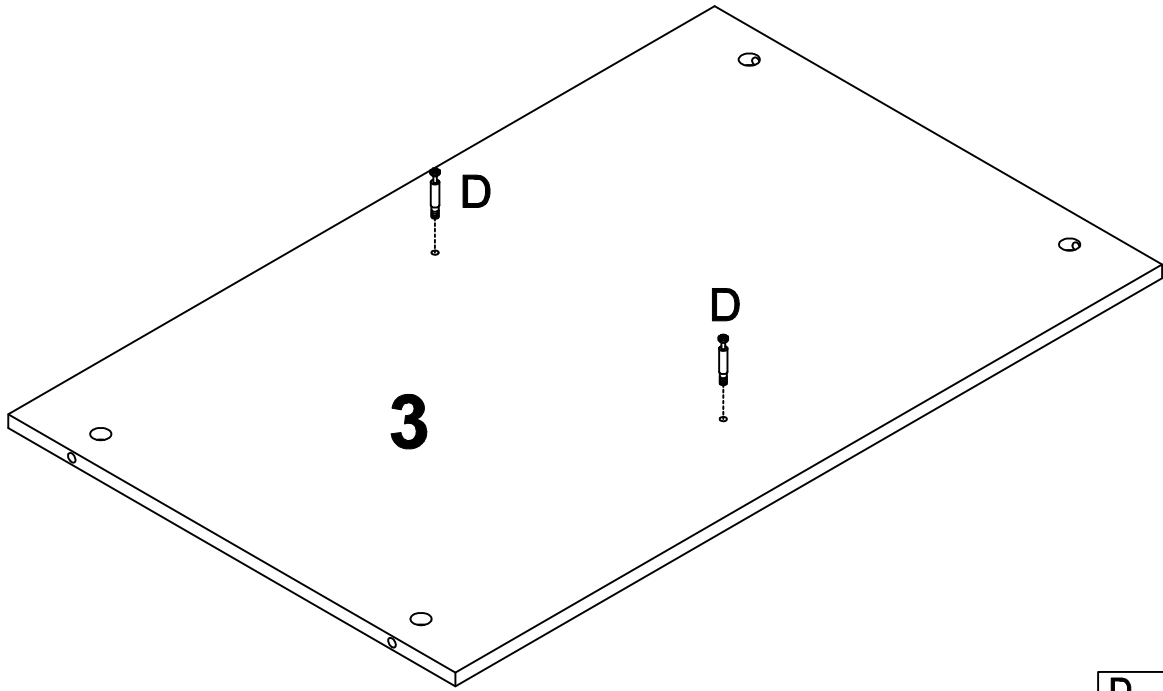
x1

J M3x14

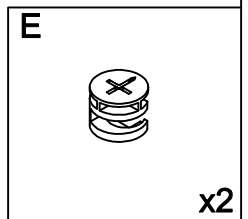
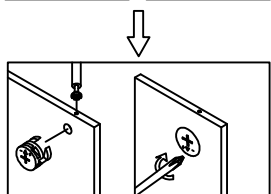
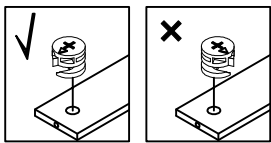
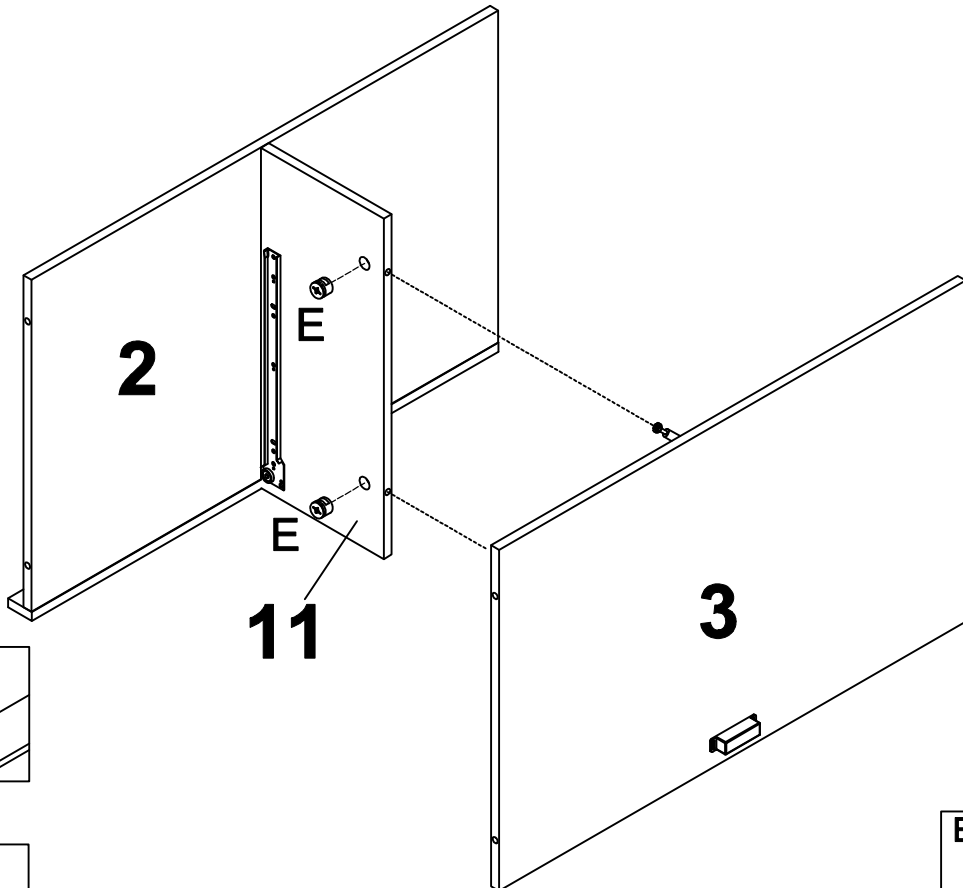


x2

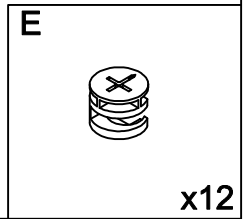
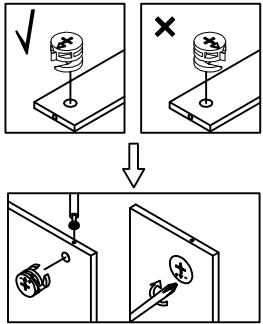
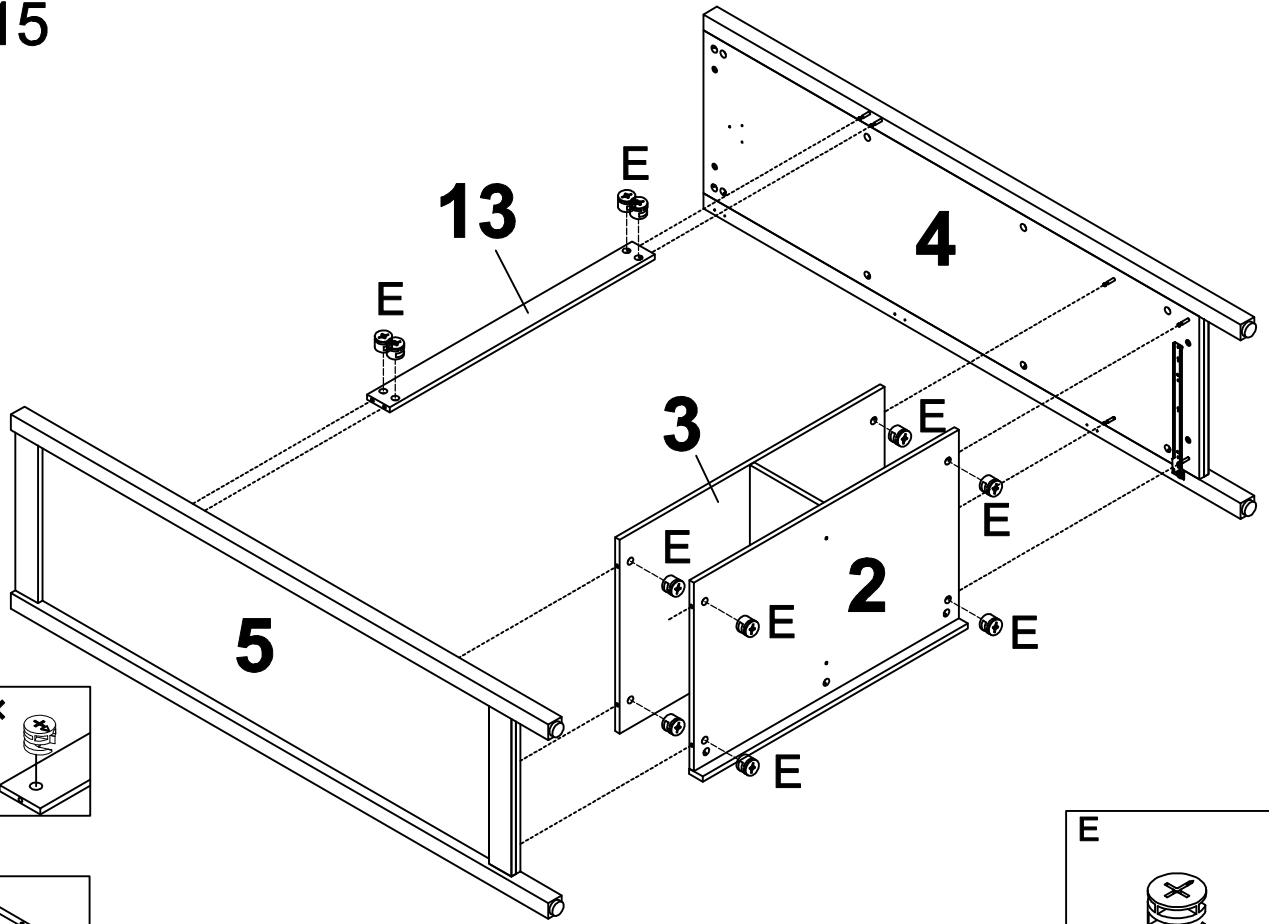
Step 13



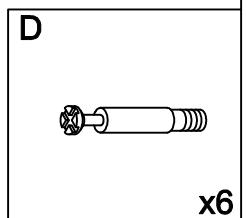
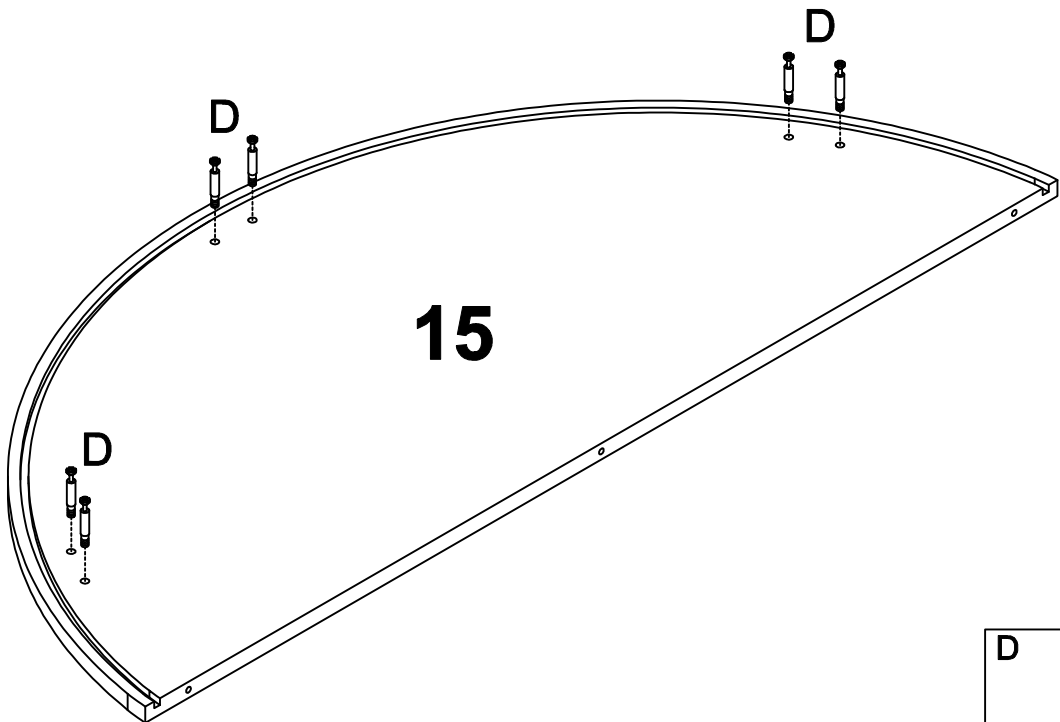
Step 14



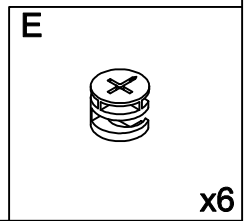
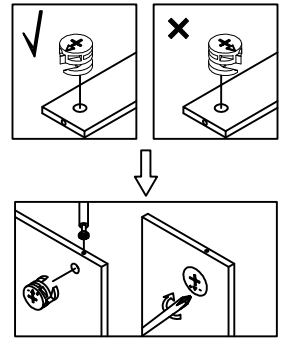
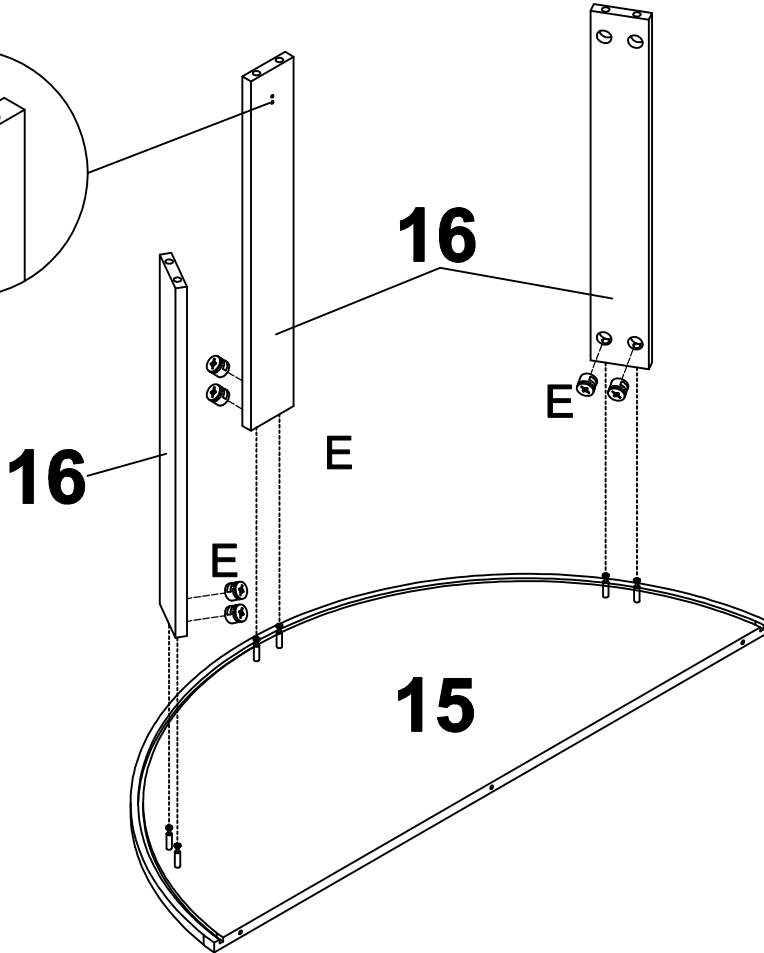
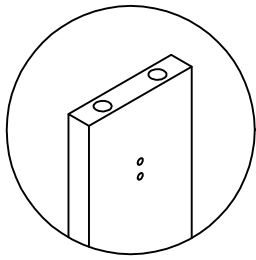
Step 15



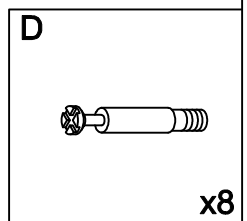
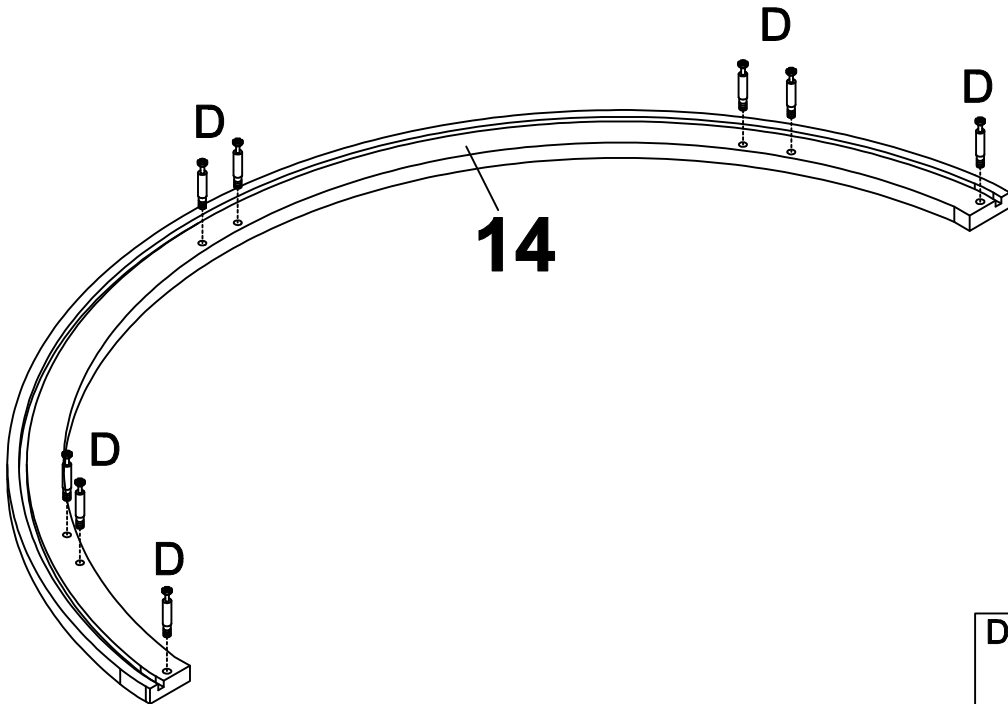
Step 16



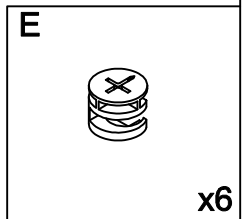
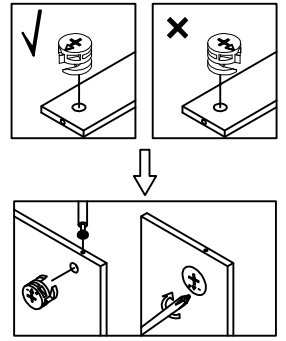
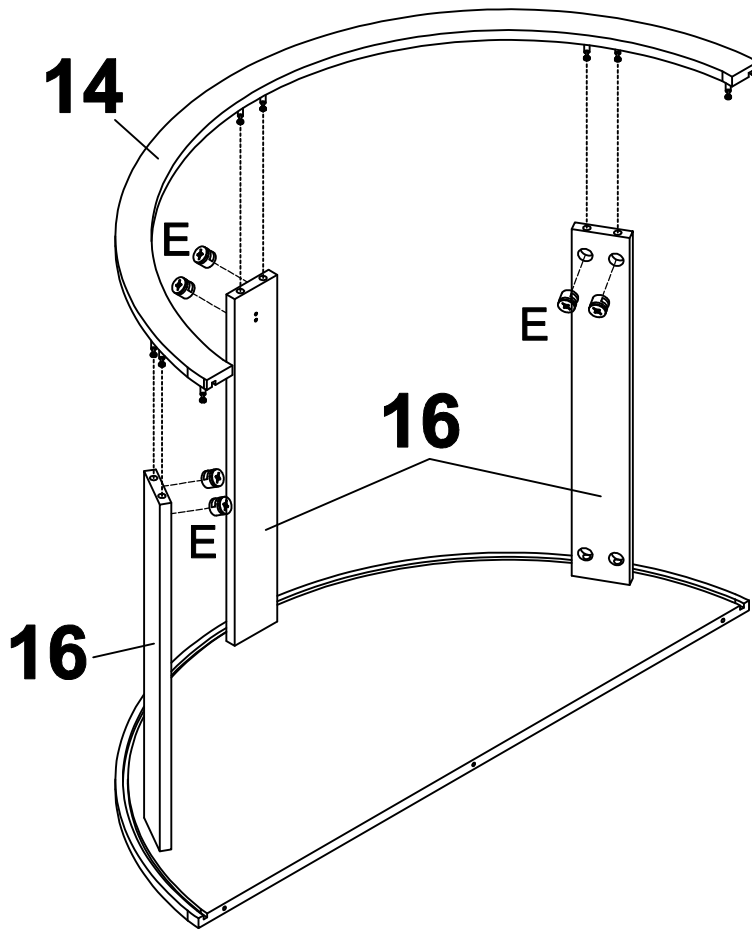
Step 17



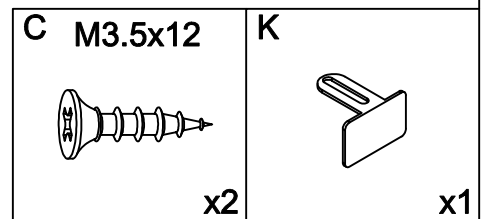
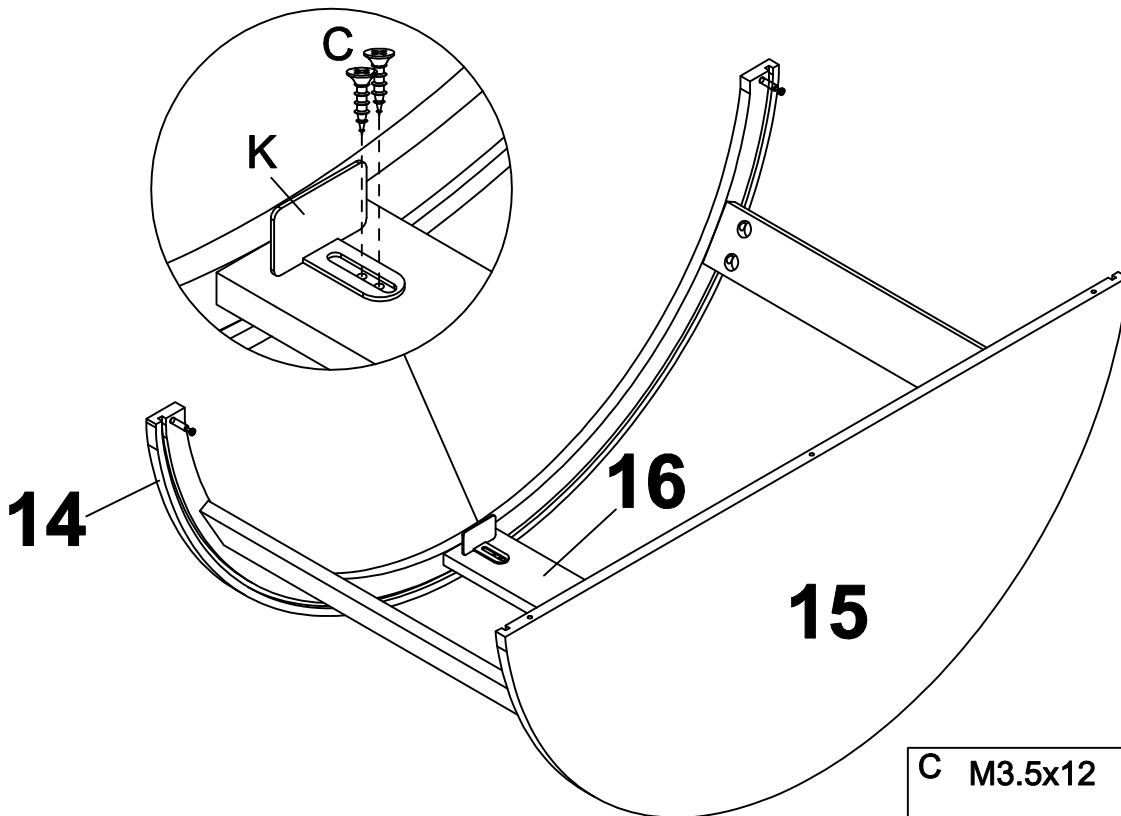
Step 18



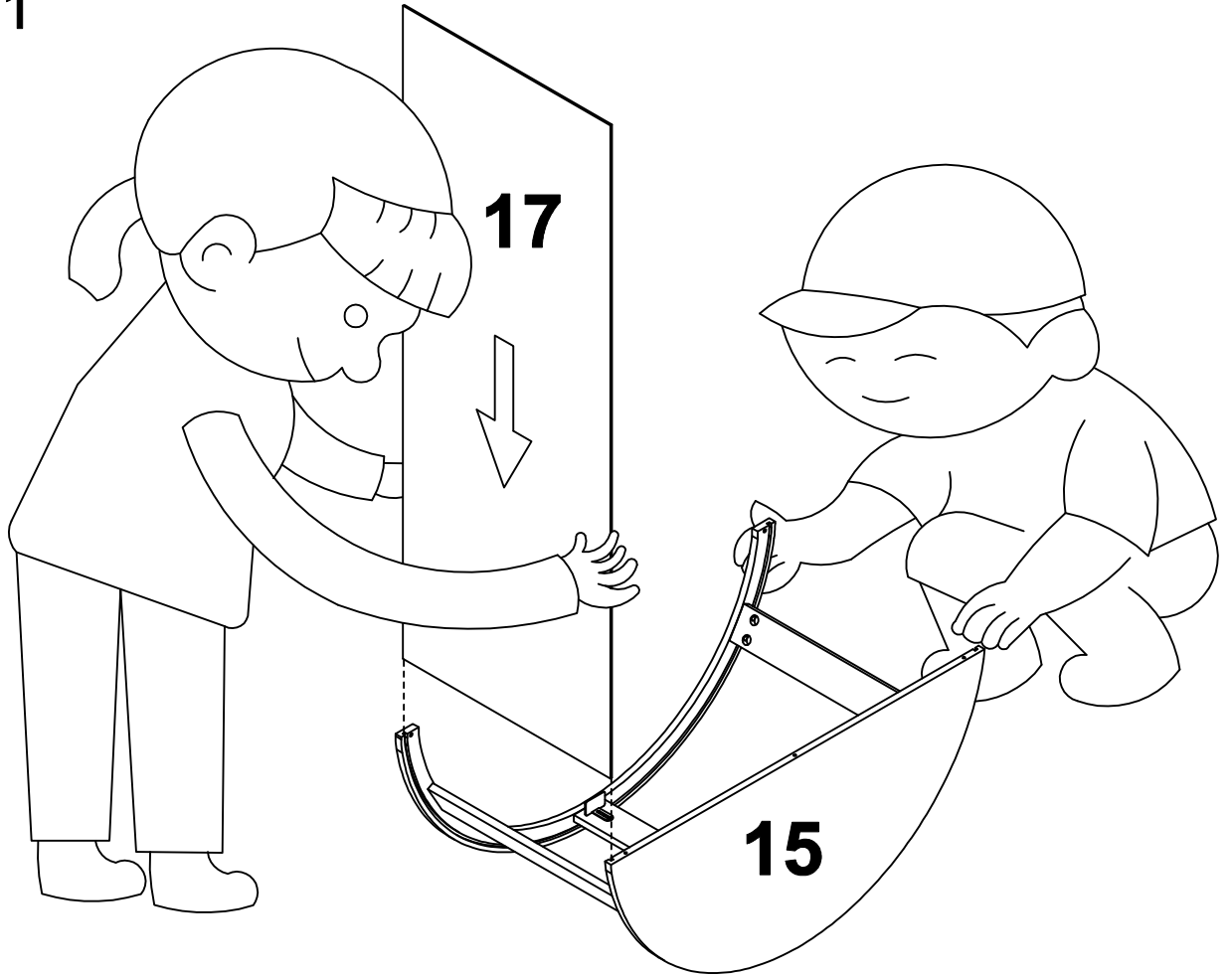
Step 19



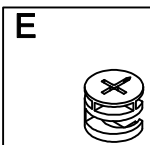
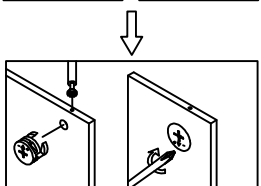
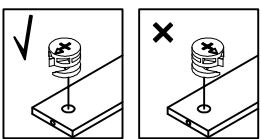
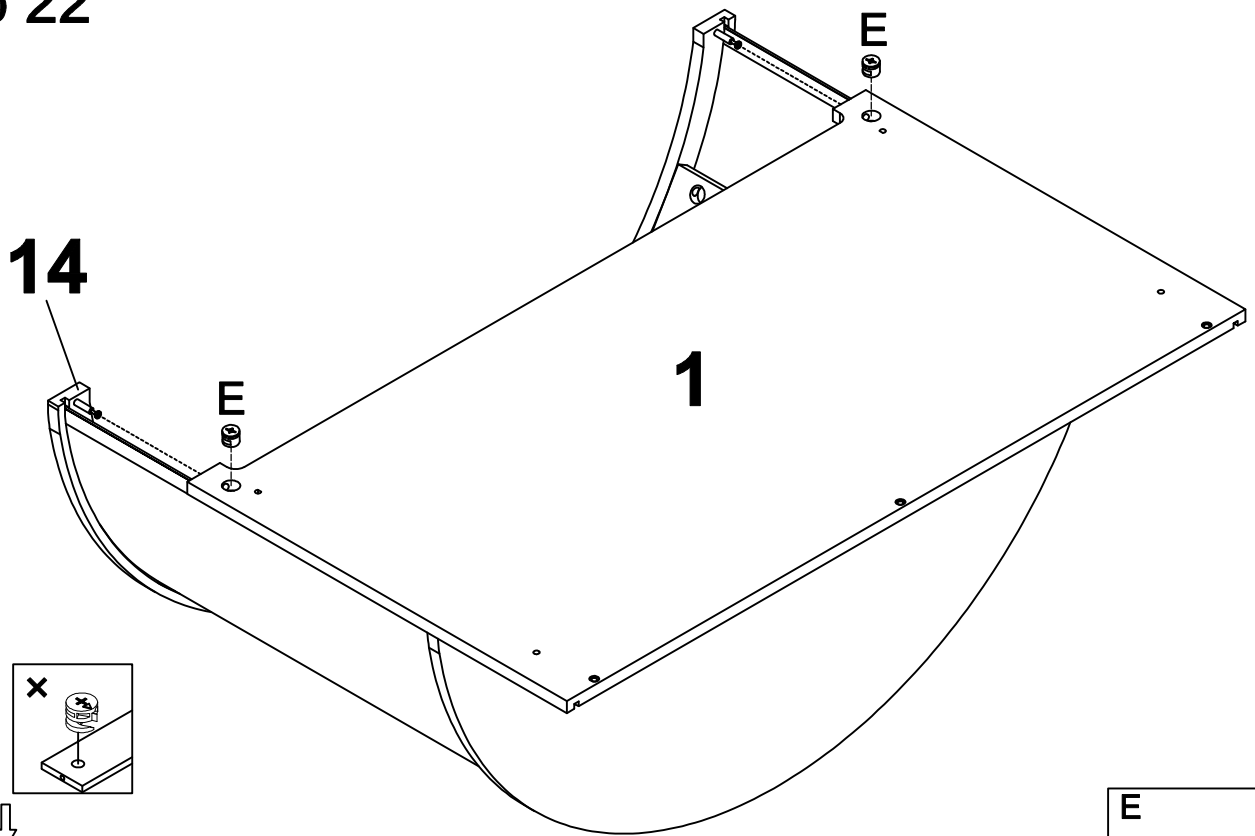
Step 20



Step 21

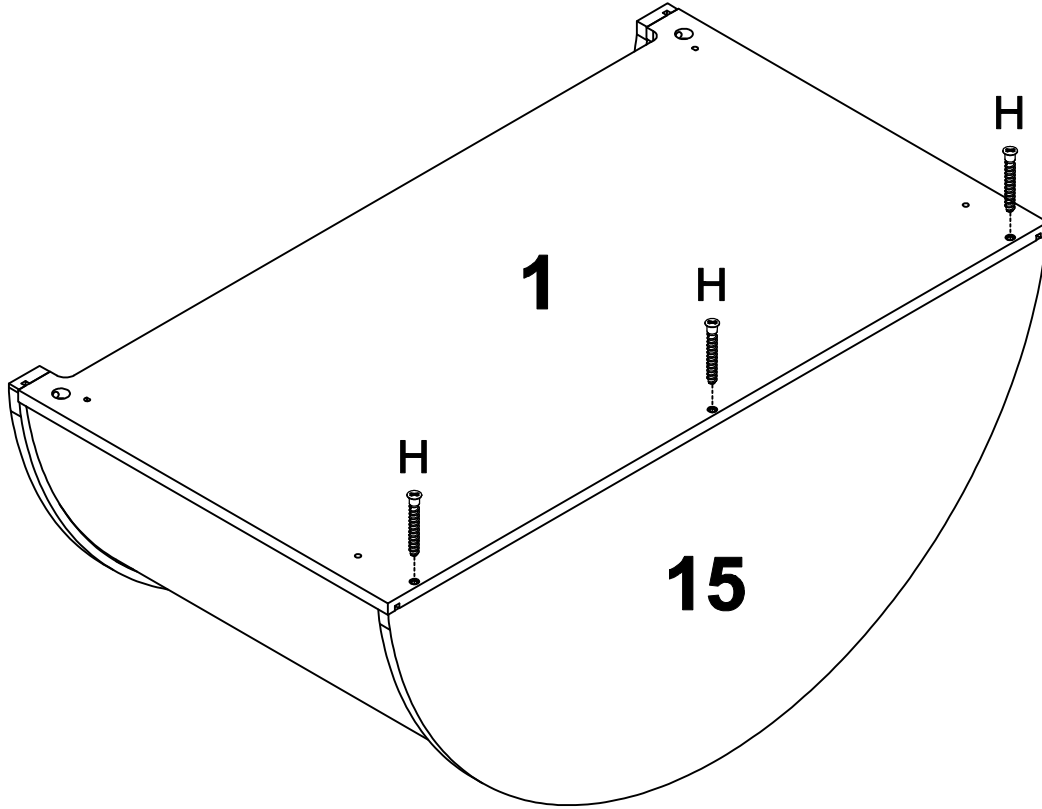


Step 22



x2

Step 23

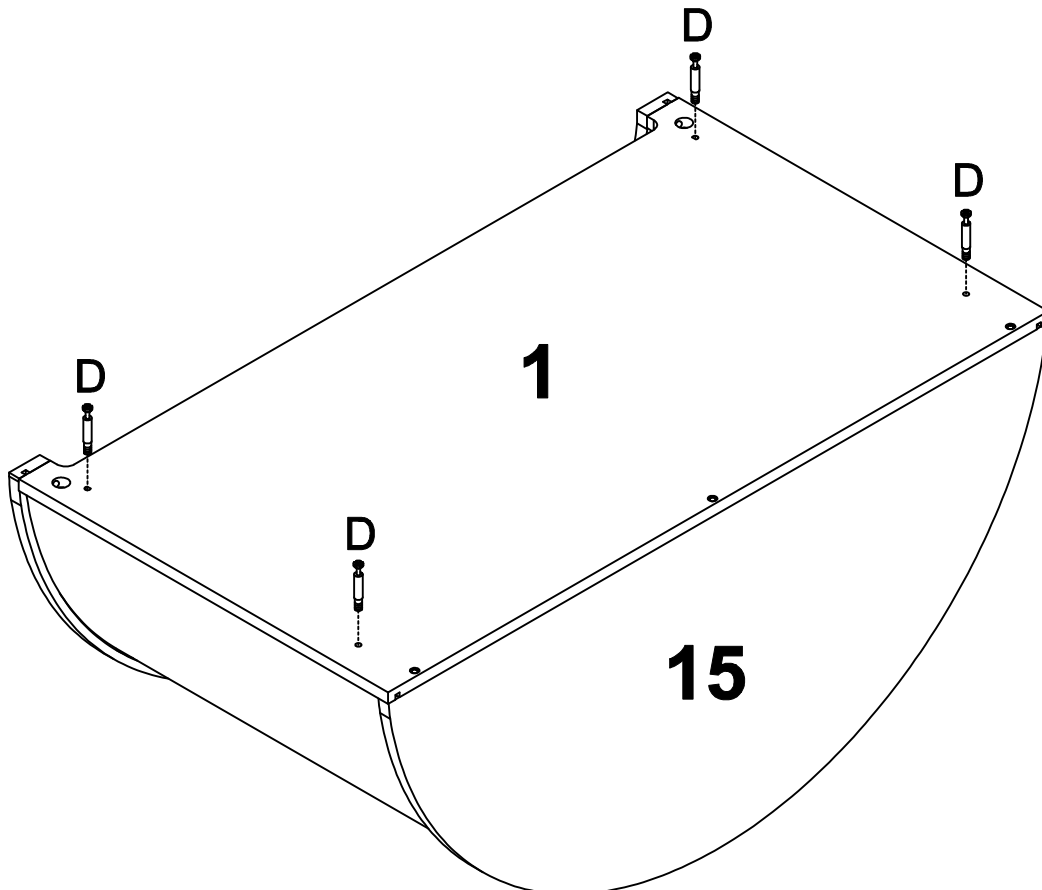


H M5x40

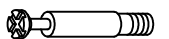


x3

Step 24

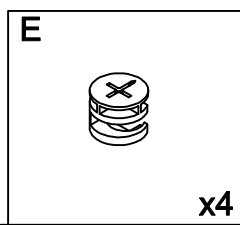
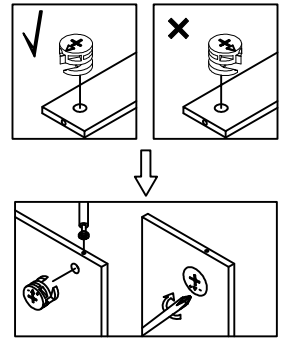
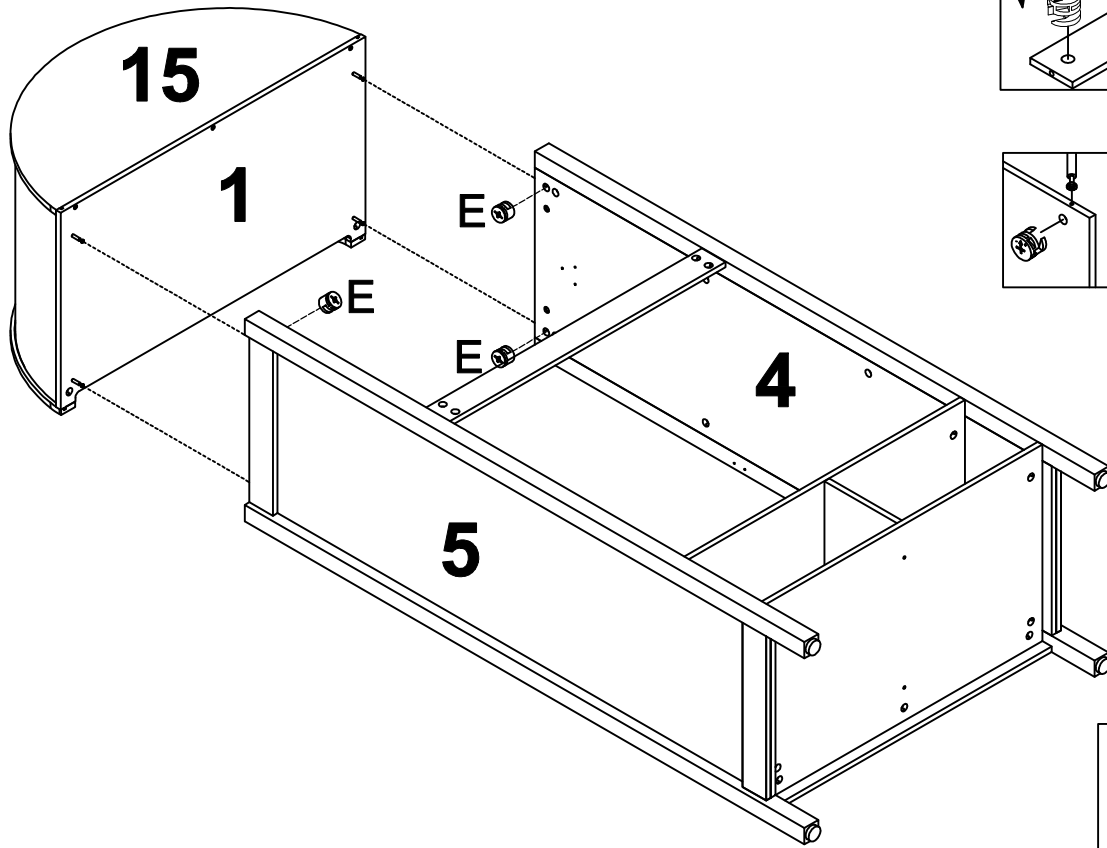


D

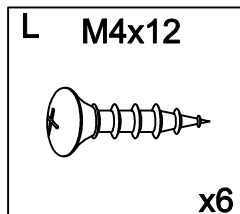
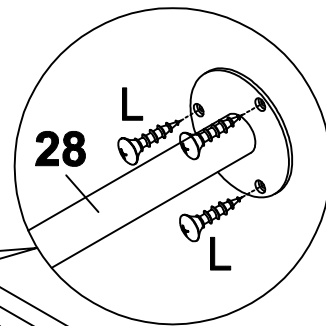
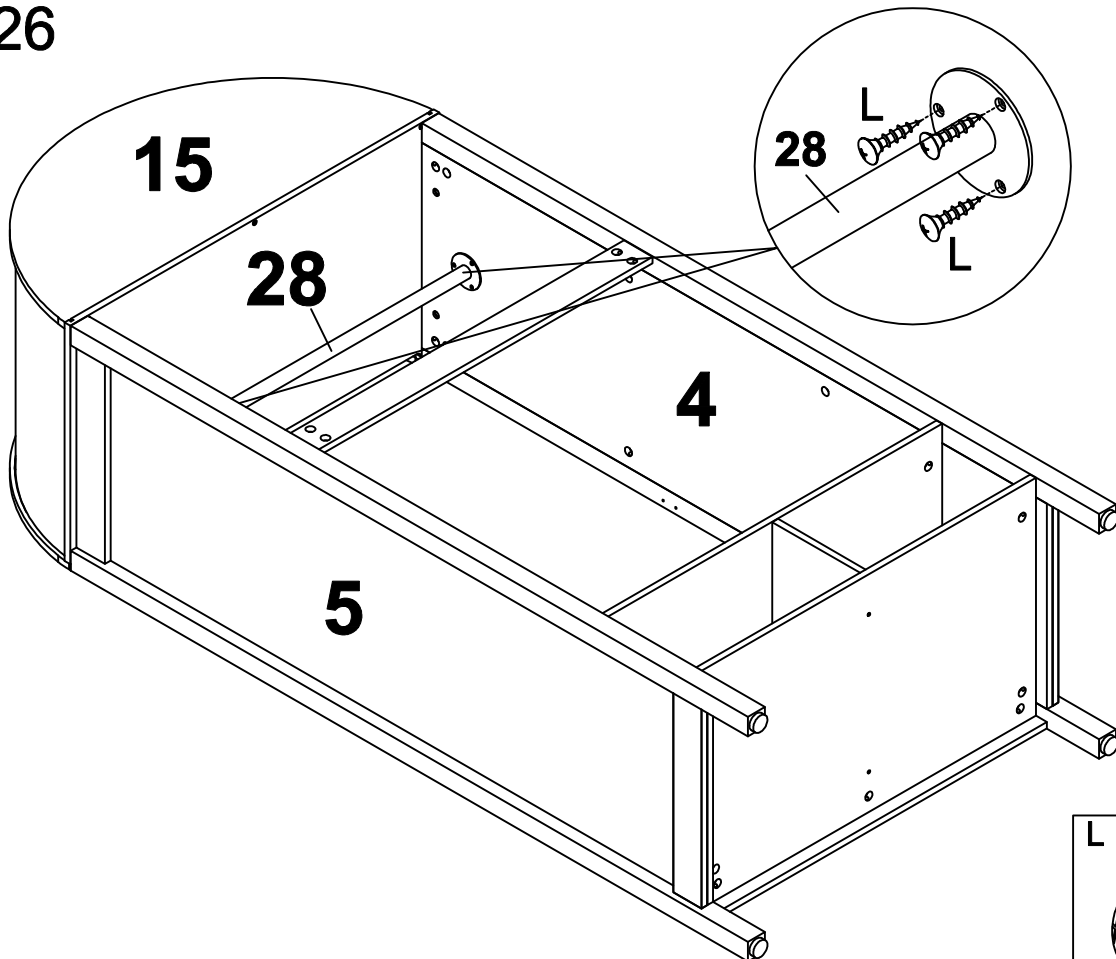


x4

Step 25

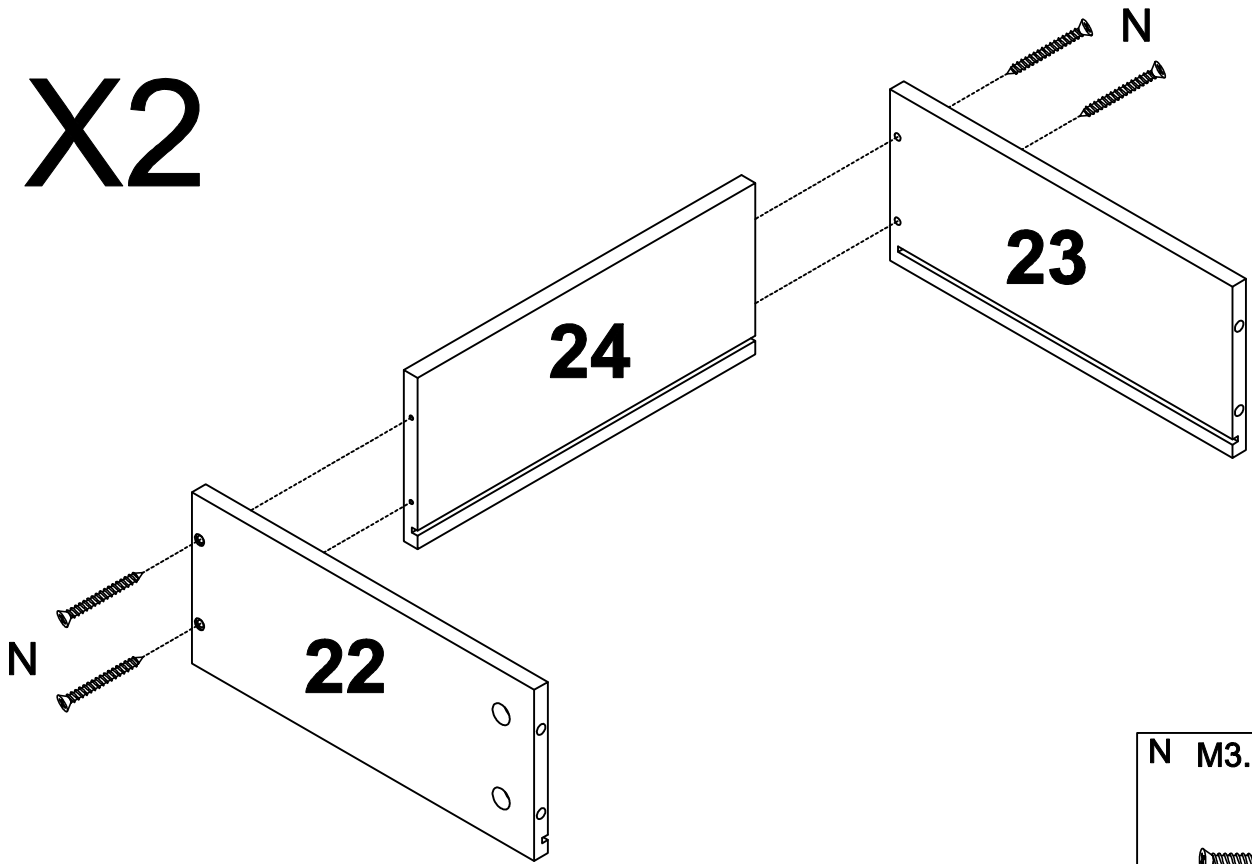


Step 26



Step 27

X2



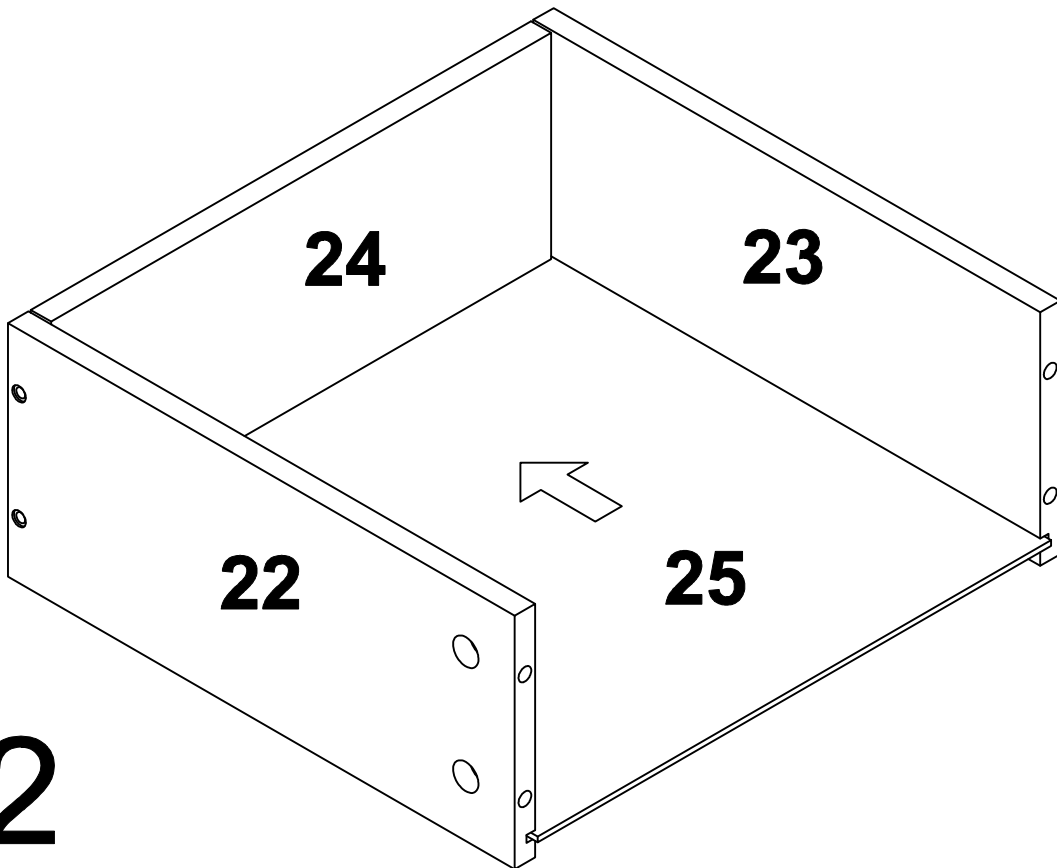
N M3.5x40



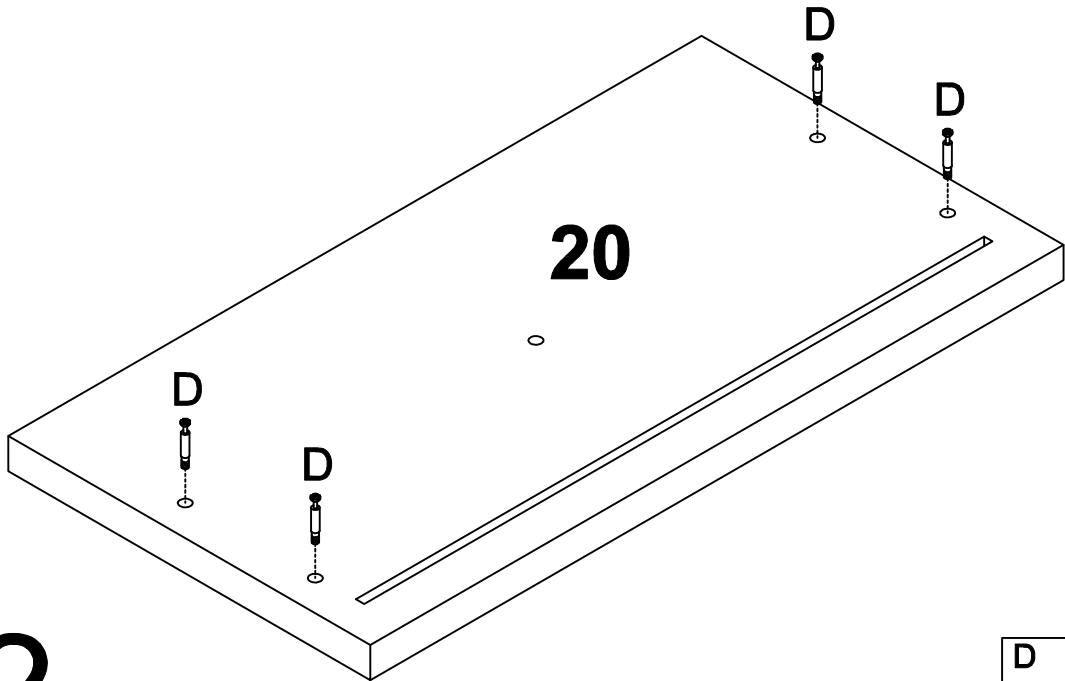
x8

Step 28

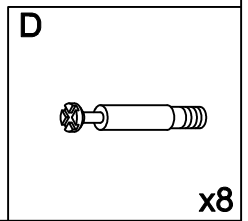
X2



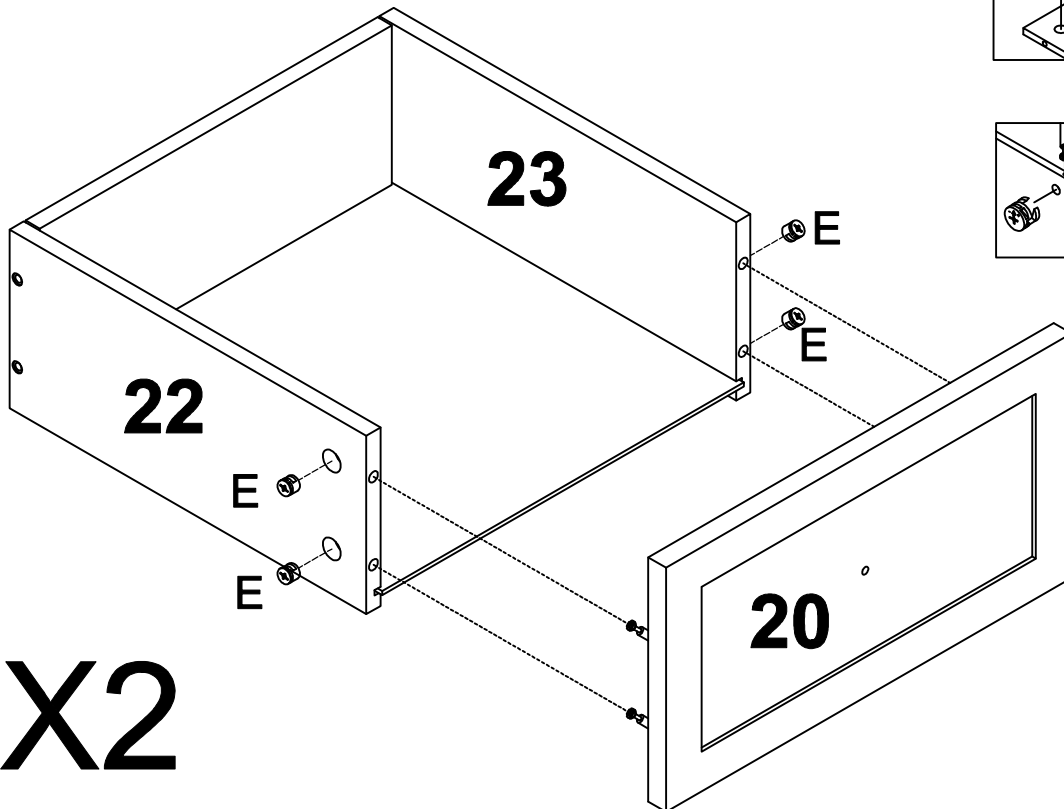
Step 29



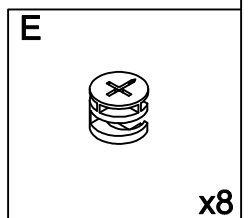
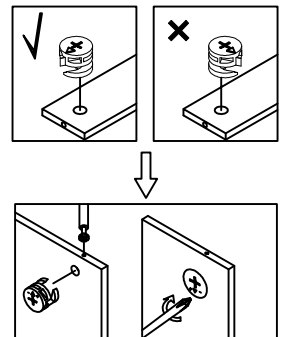
X2



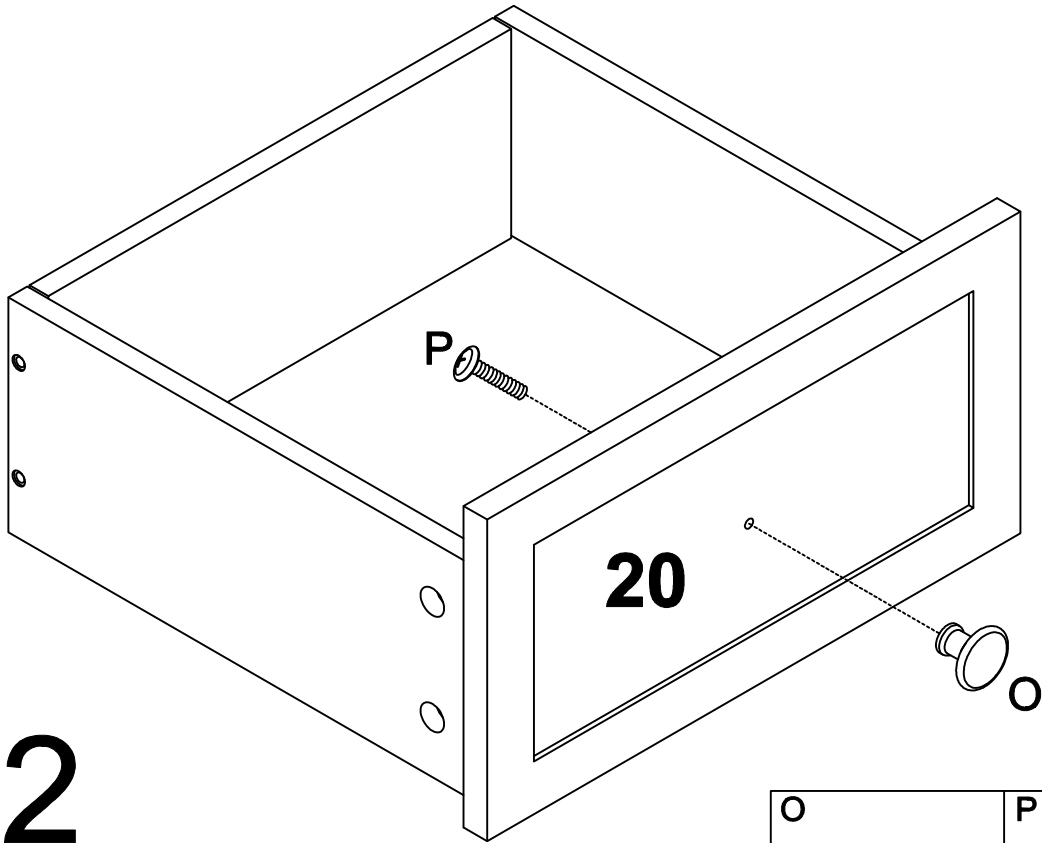
Step 30



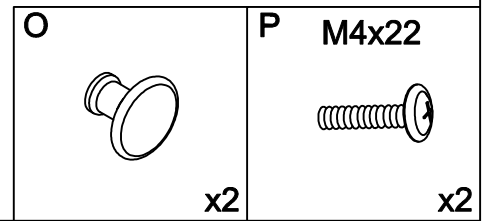
X2



Step 31

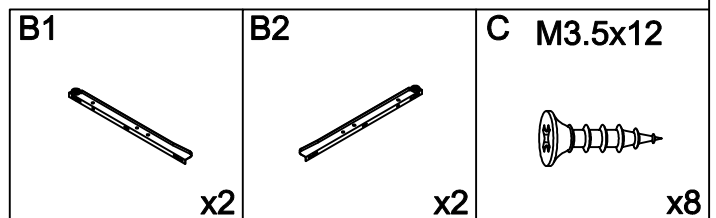
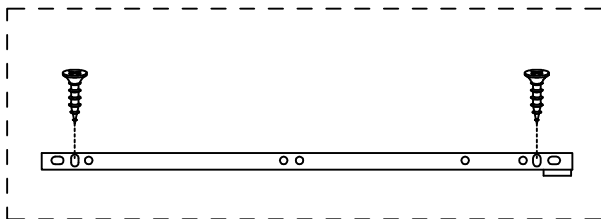
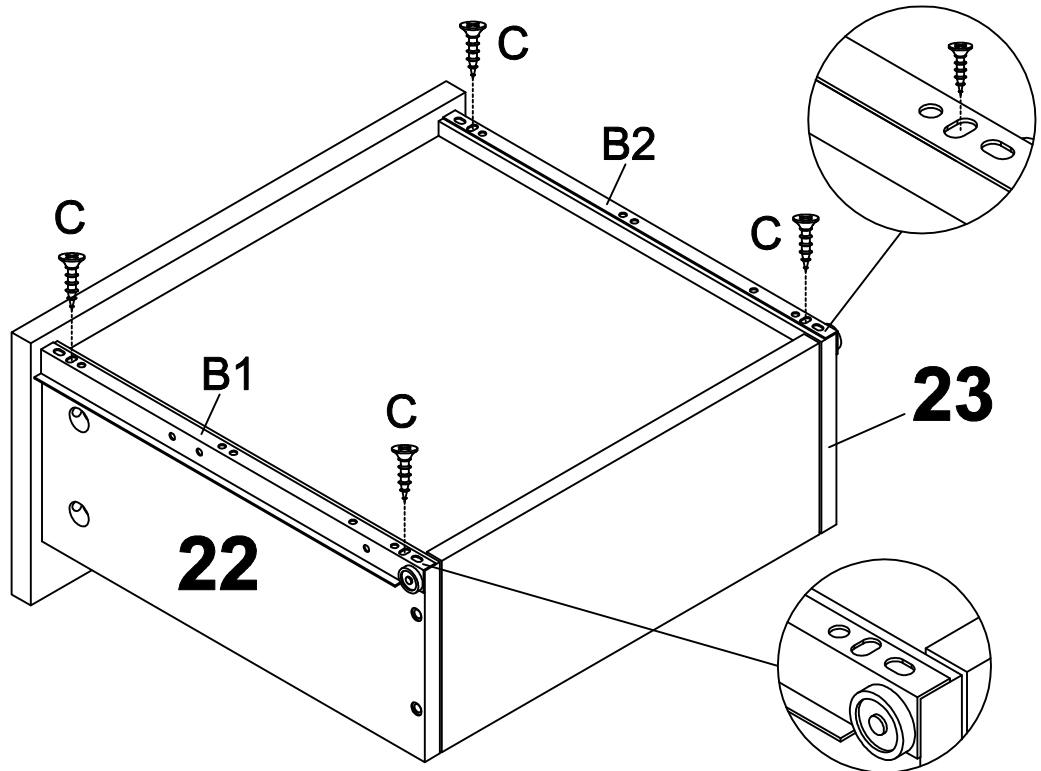


X2

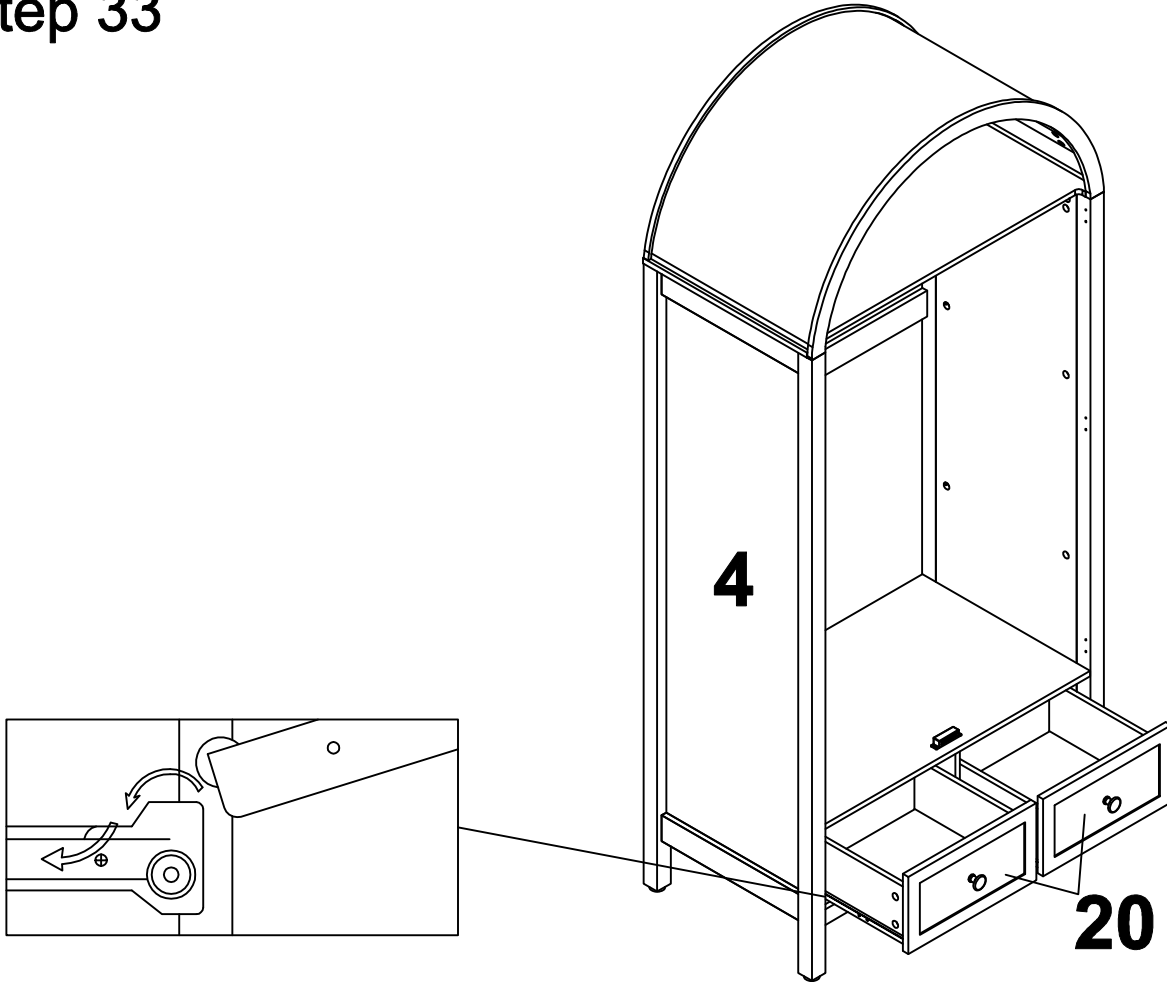


Step 32

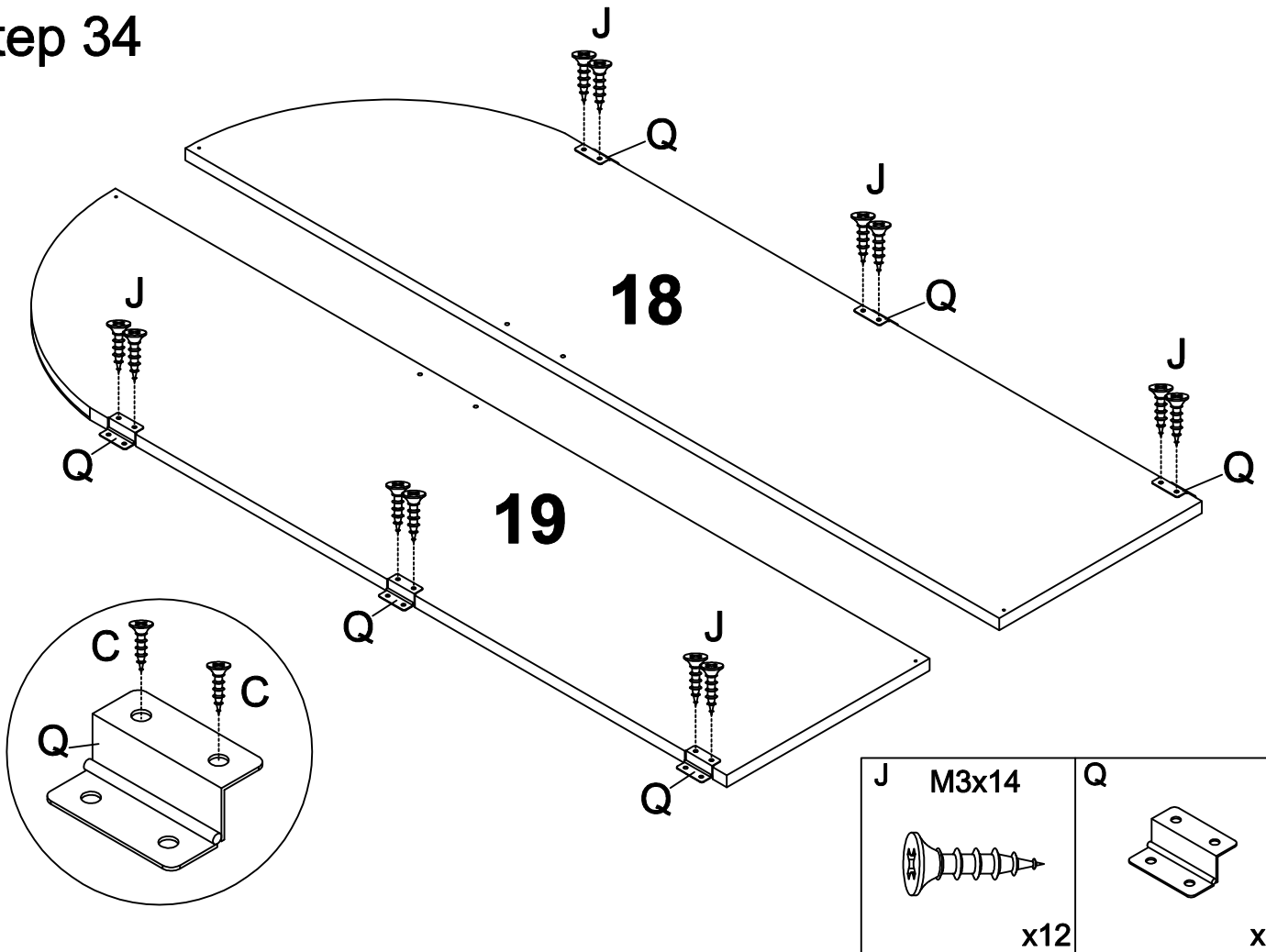
X2



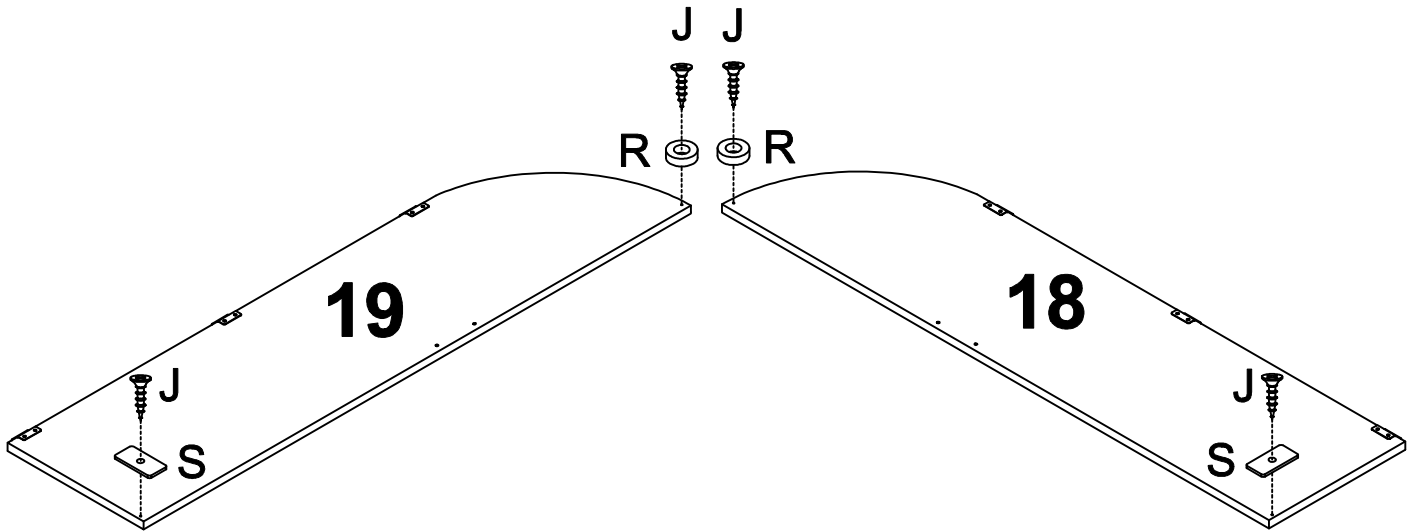
Step 33

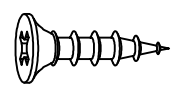
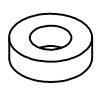
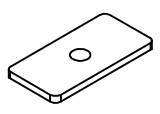


Step 34

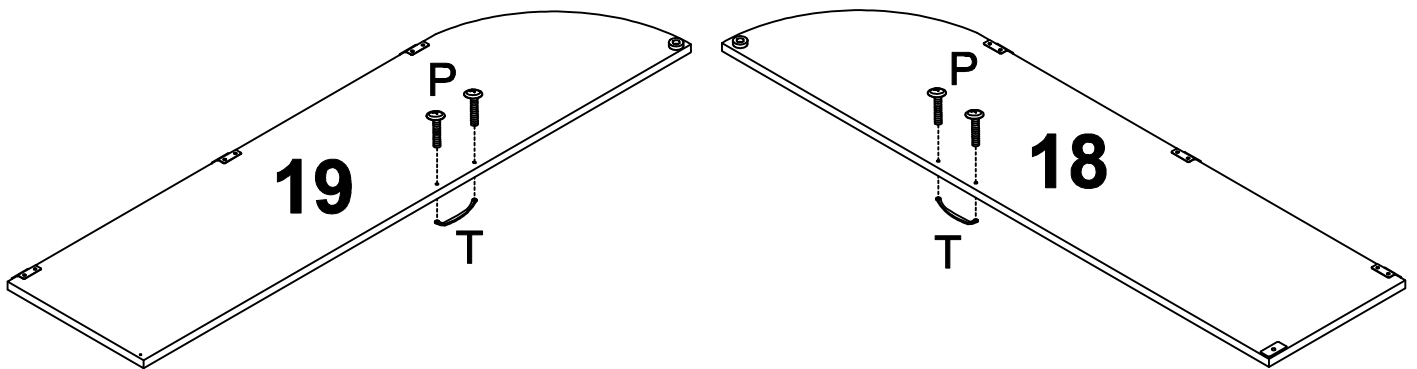



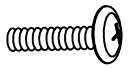
Step 35



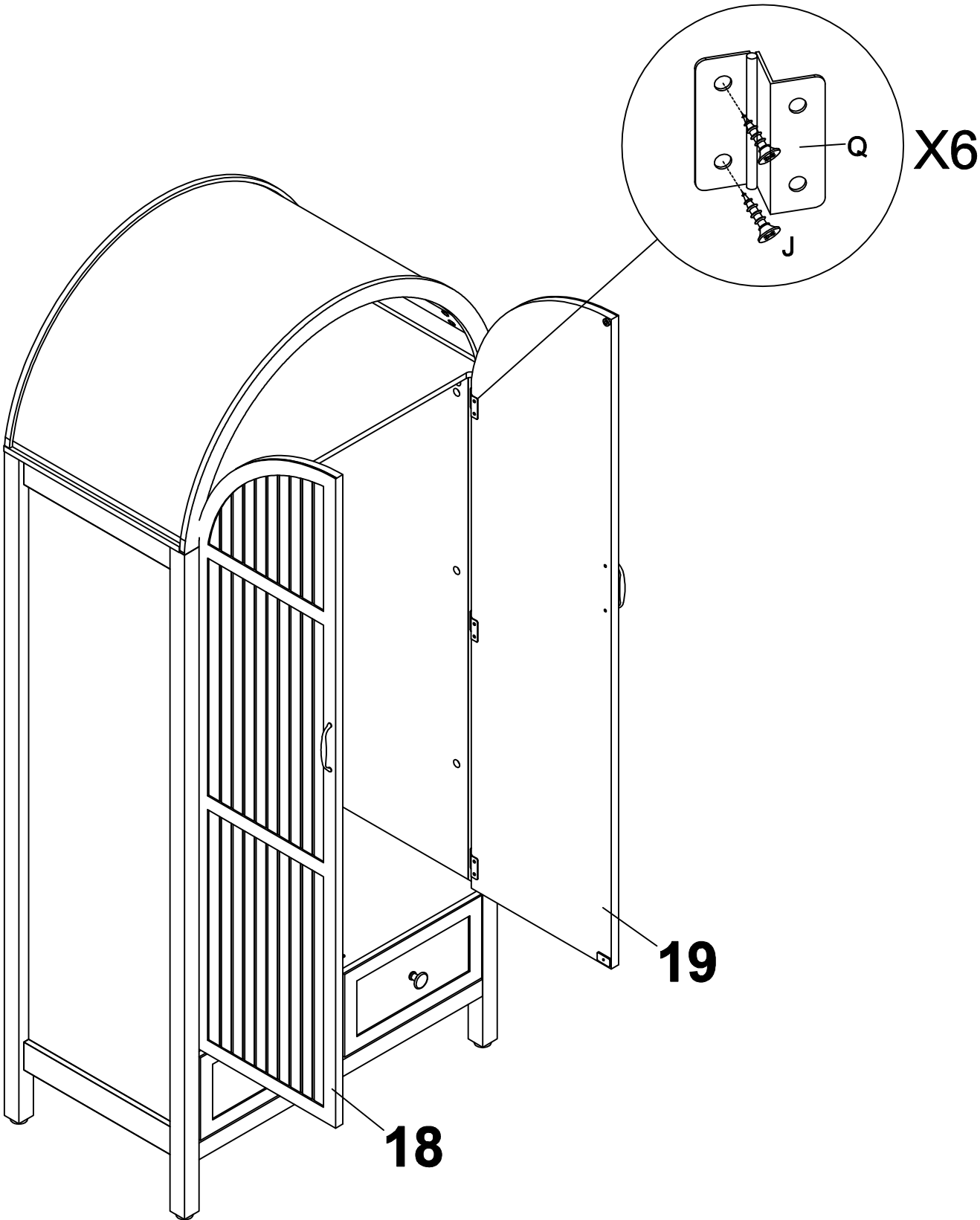
J M3x14  x4	R  x2	S  x2
---	--	--

Step 36



T  x2	P M4x22  x4
---	---

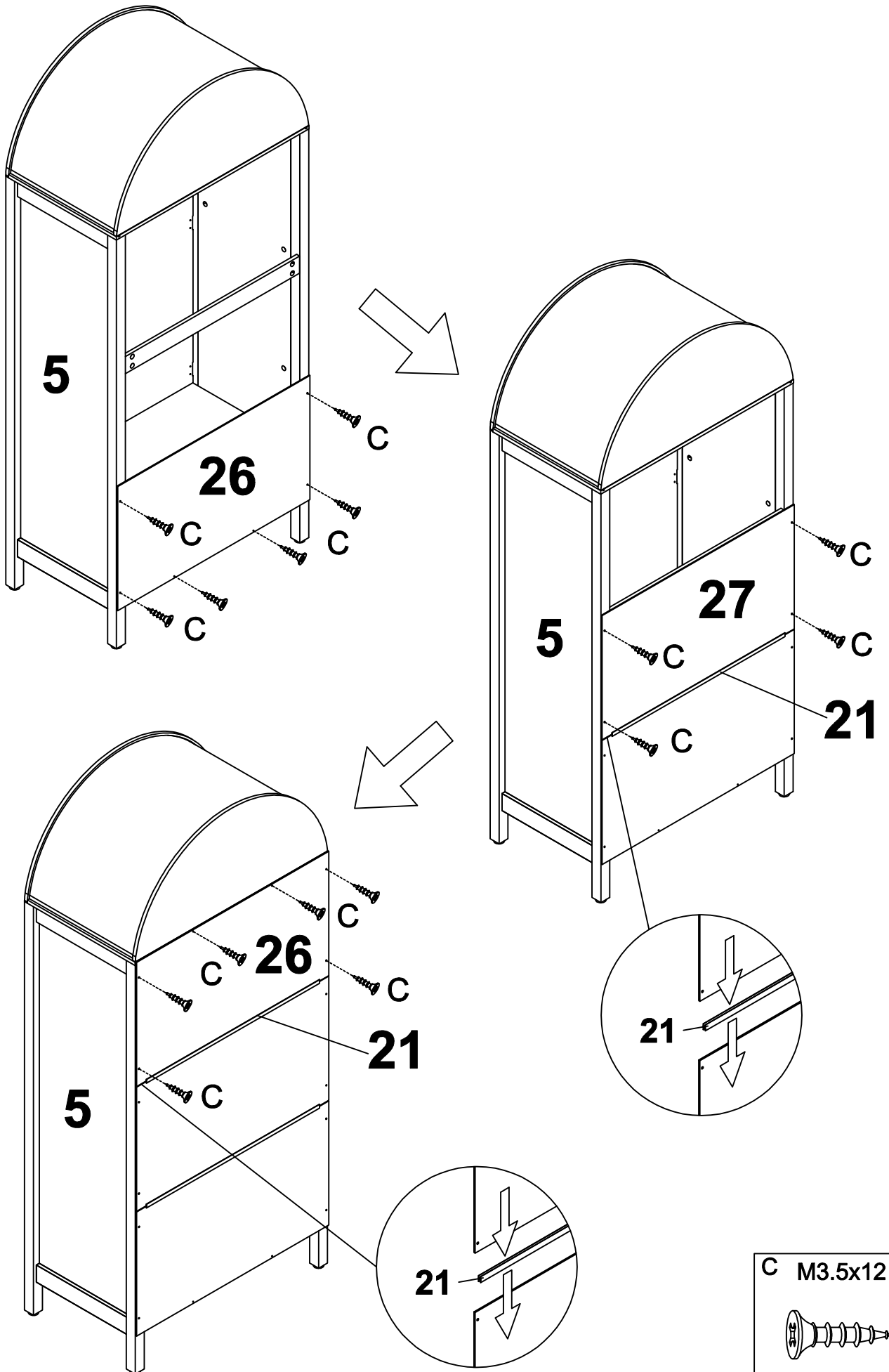
Step 37



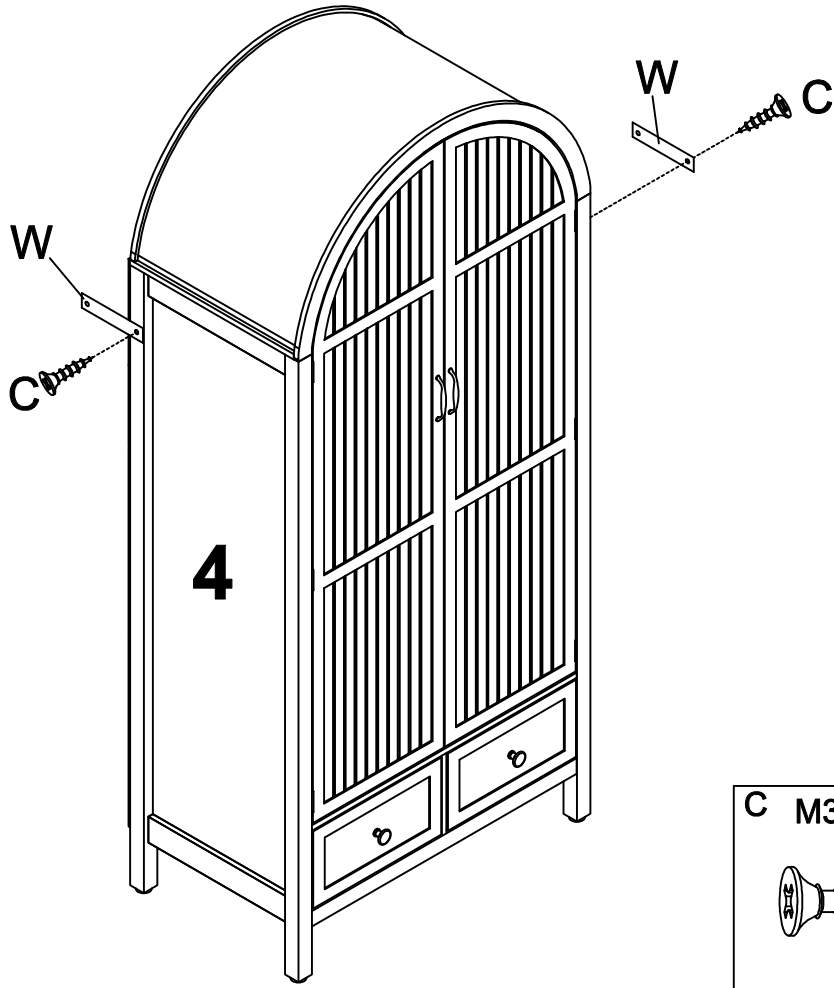
J M3x14

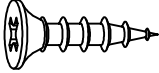
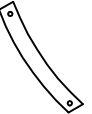
x12

Step 38

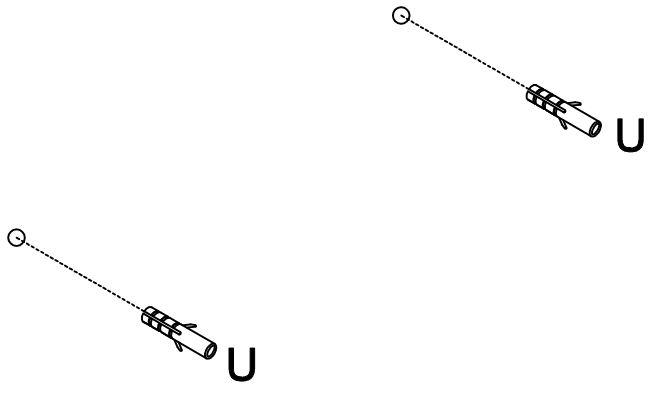


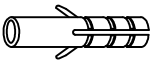
Step 39



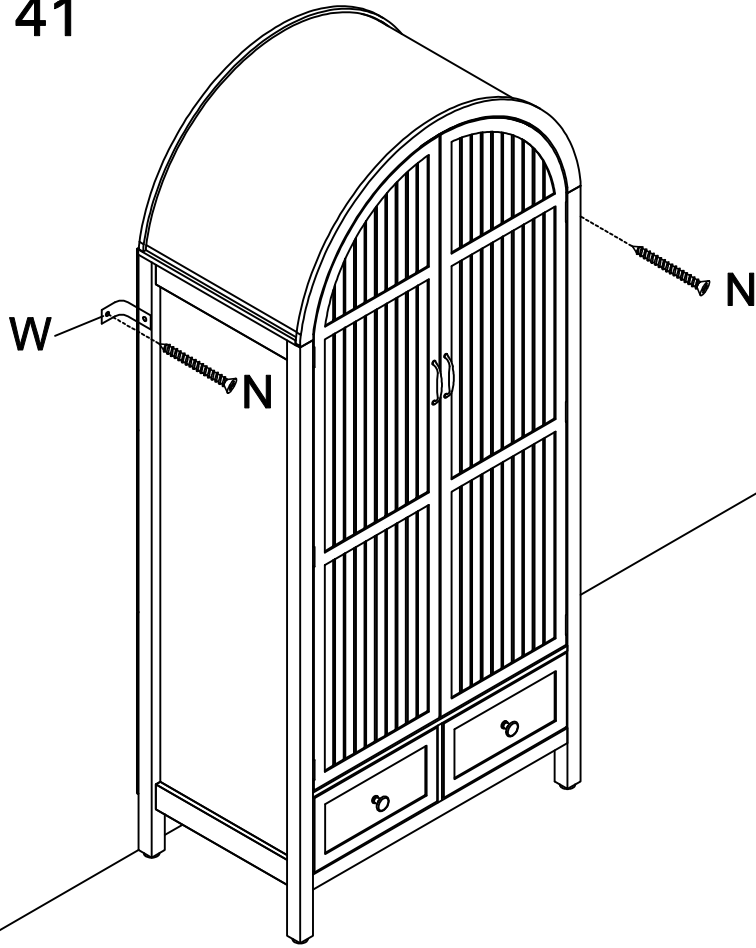
C M3.5x12	W
	
x2	x2

Step 40



U

x2

Step 41

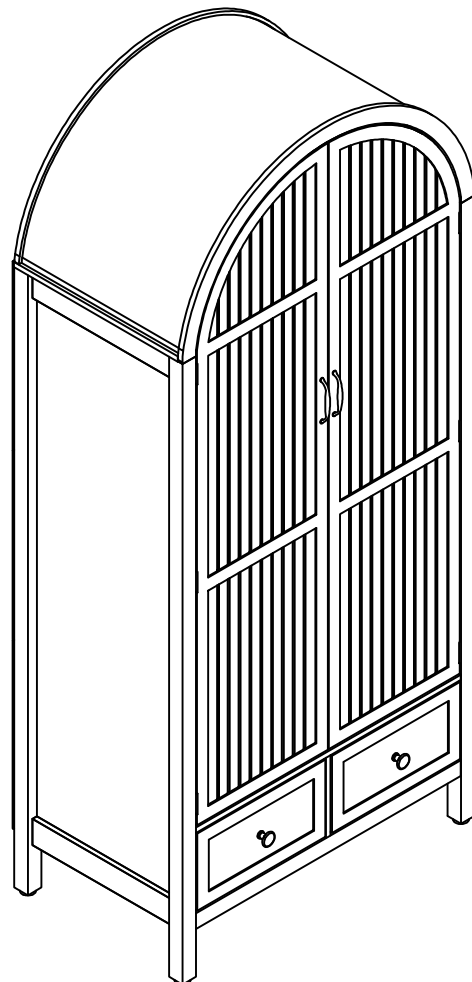


N M3.5x40



x2

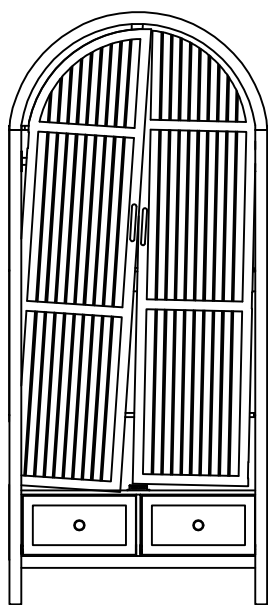
Finish !!!



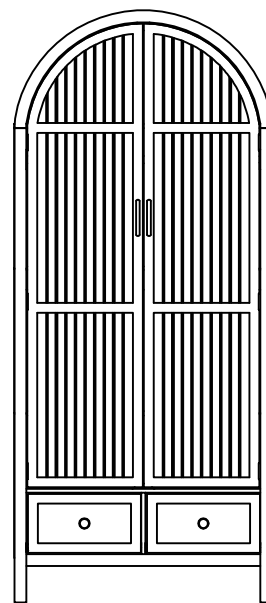


X

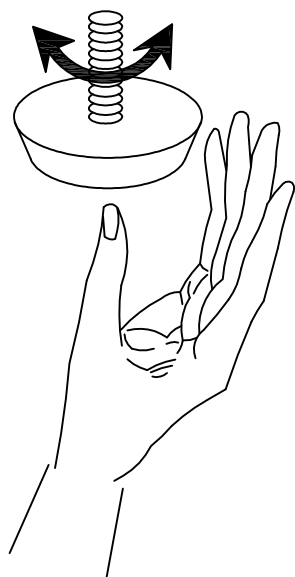
Before



After



M



Installation tips: If the height of the door is inconsistent after installation, please adjust the adjusting feet M at the bottom.