

BLANCO SUBLINE 500-IF SteelFrame

Item No. BL467915

Pros



SILGRANIT® - elegantly framed in stainless steel

- Innovative and unique material mix of stainless steel and SILGRANIT®
- Timelessly elegant, straight-lined bowl shape with filigree IF flat rim
- For lay-on installation from above, especially suitable for laminate worktops
- Also for flushmount installation in stone and glass
- Good optical match with high quality ceran hobs
- Elegant and hygienic: the covered C-overflow®



Colours



Available colours



white

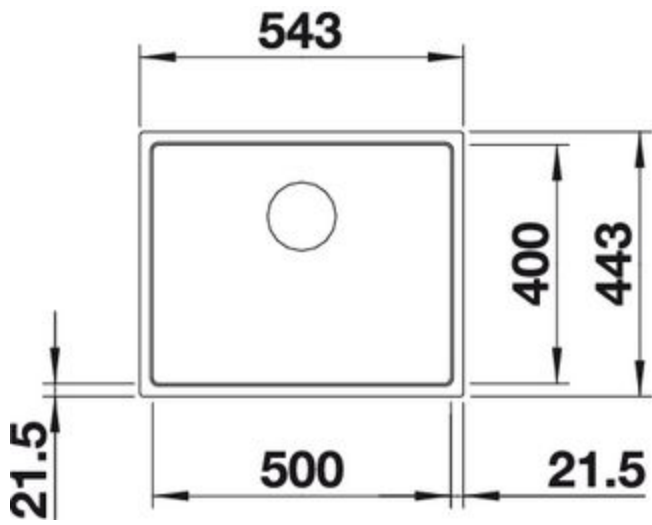


anthracite

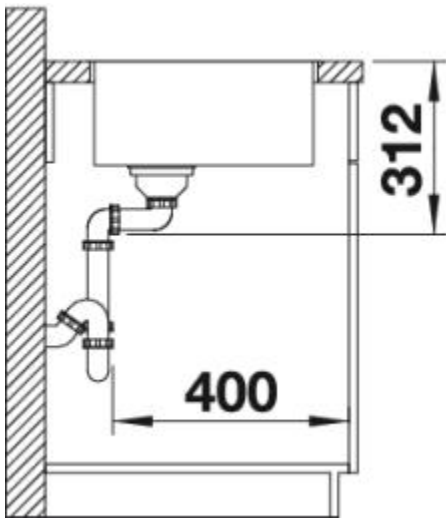
SILGRANIT® PuraDur®

Item No. BL467915

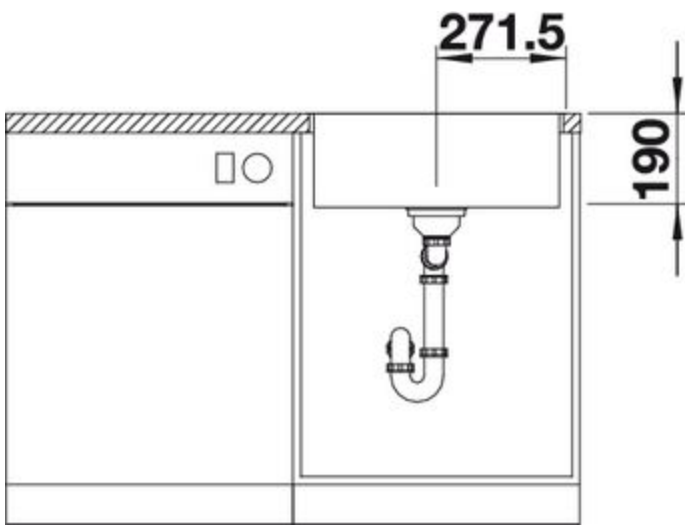
Details



Top View



Side View



Front View

Scope of supply

waste fitting with space-saving pipe, 3 1/2" basket strainer

Design tips

Cabinet Width: 60 cm

Bowl depth: 190 mm

Cut out size: 532 x 432 x R10

Universal handing

Taps



BLANCO LINEE-S

chrome
BM2200CH



BLANCO LOOP

chrome
BM5700CH



BLANCO SELECT XL 60/3 Orga
BL467735

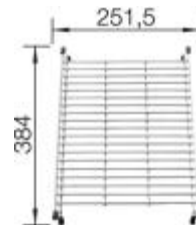
Optional Accessories



Chopping board
BL230700



Colander
BL227689



Floating grid
BL233542



Outlet cover CapFlow®
BL517666

BLANCO UK Limited
Tel: 01923 635200
Fax: 0800 0911608
› www.blanco.co.uk