
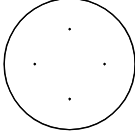
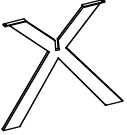
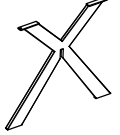



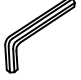



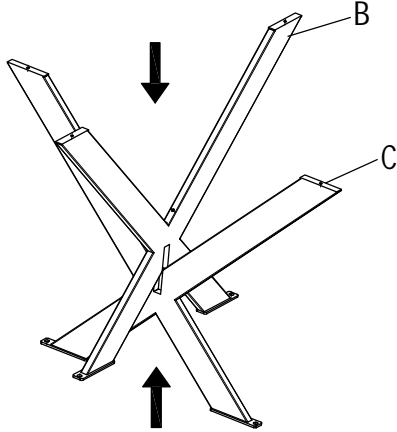


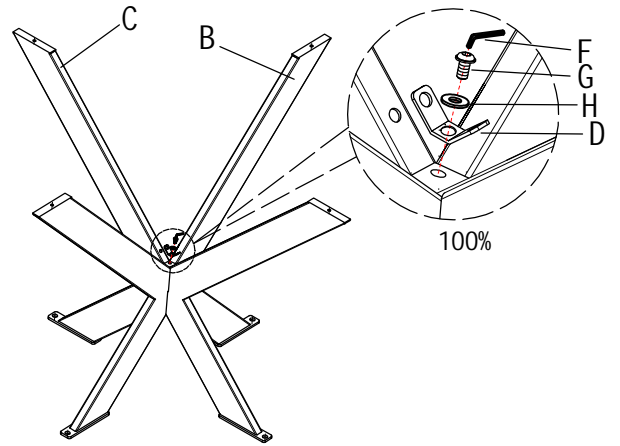
ASSEMBLY INSTRUCTION

	 A × 1pc	 B × 1pc	 C × 1pc	 D × 1pc
	+Spare × 1  E × 7pcs M8×20mm	 F × 1pc 6#	+Spare × 1  G × 2pcs M8×12mm	+Spare × 1  H × 2pcs φ16/φ8×2
				+Spare × 1  I × 1pc &22-M8×13

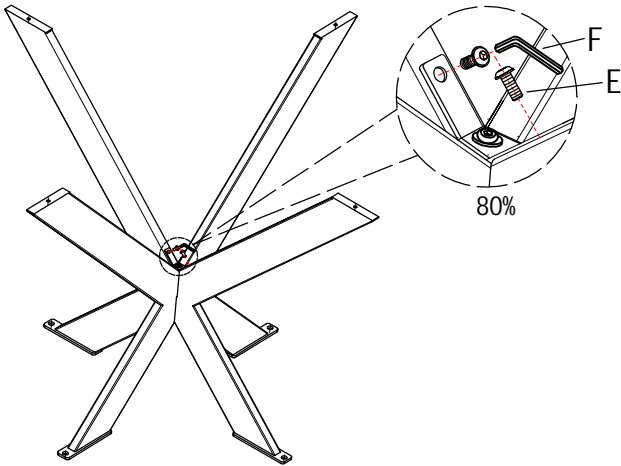
STEP:1



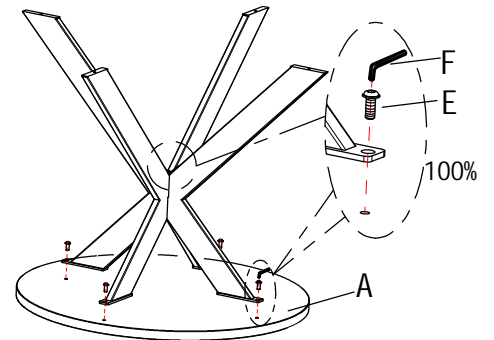
STEP:2



STEP:3



STEP:4



STEP:5

