

# Installation and Wiring Instructions

NOTE: ALWAYS TURN POWER OFF BEFORE INSTALLING LIGHTING FIXTURE

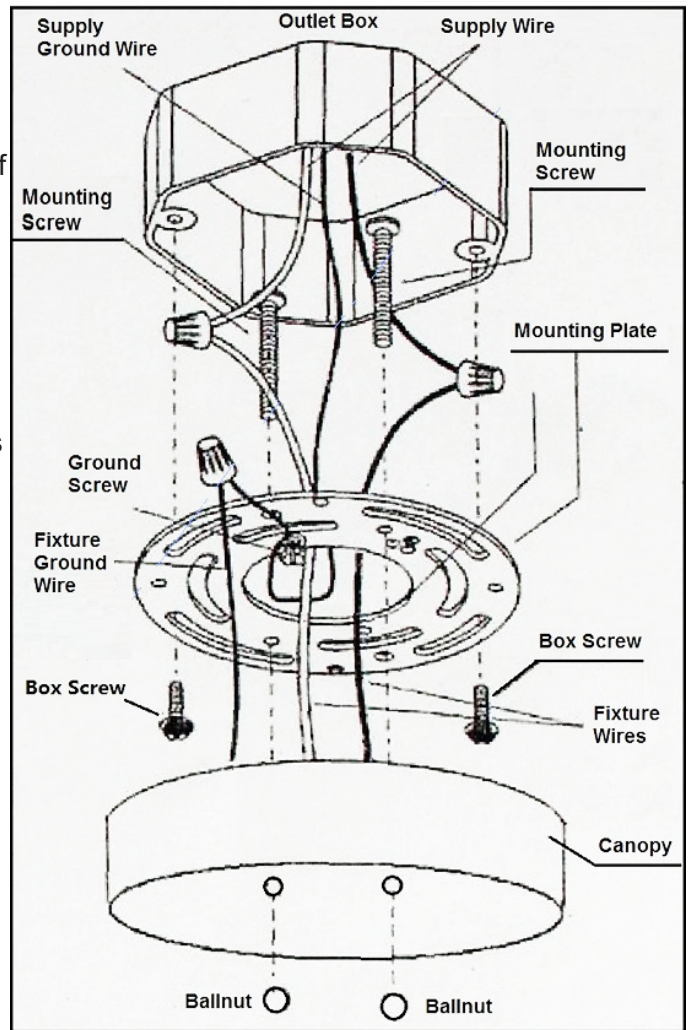
IMPORTANT: YOU SHOULD USE A QUALIFIED ELECTRICIAN TO INSTALL THIS FIXTURE

## Installation (see Fig. A)

1. Disconnect power at main electrical panel before installation.
2. Thread the mounting screws into the opposite side of the mounting plate from the GREEN ground screw.
3. Guide fixture wires through hole in center of the mounting plate.
4. Follow wiring instructions carefully (listed below).
5. Attach mounting plate to outlet box using box screws provided with outlet box.
6. Thread Hexnut onto mounting screws.
7. Mount fixture by aligning mounting holes in canopy with mounting screws and threading ball nuts onto mounting screws. Tighten to firmly hold canopy in place against wall (mounting screws may require adjustment).

## Wiring (see Fig. B)

1. Split the conductors of the fixture wire about 4 inches. Being careful not to expose any of the wire inside of the insulation.



2. Connect the fixture ground wire and the outlet box ground wire to the mounting plate dimple hole marked "GND" with GREEN hex-head ground screw.

3. Connect the half of the fixture wire that is white marked (neutral wire) to the outlet box supply wire (WHITE). Connect the other half of the fixture wire that is black marked (hot wire) to the outlet box supply wire (Black or Red). Use wirenuts provided.

4. Spread the electrical supplies so that the black wire are on one side of the outlet box and white wire are on the other side.

**Grounding Detail**

Connect Black or Red House Wire to:	Connect White House Wire to:
<b>Black</b>	<b>White</b>
Parallel cord - SPT I&II (round & smooth)	Parallel cord - SPT I&II (square & ridged)
Clear, Brown, Gold or Black (without tracer)	Clear, Brown, Gold or Black (with tracer)
Insulated Wire (Other than GREEN) with copper conductor	Insulated Wire (Other than Green) with silver conductor

**White Fixture Wire**  
White Supply Wire

**Black Fixture Wire**  
Black Supply Wire

Fig. B