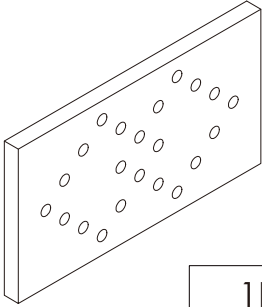
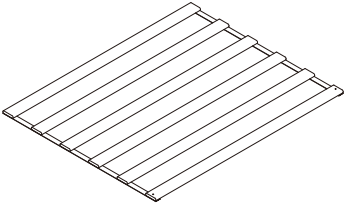
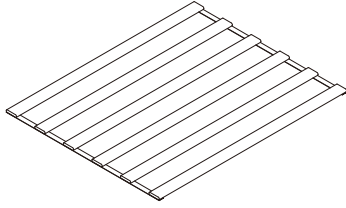
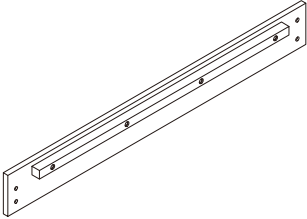
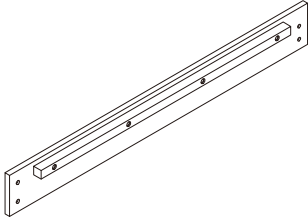


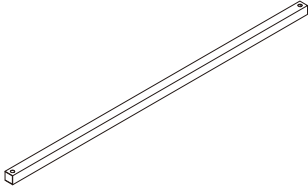

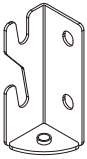
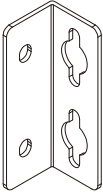

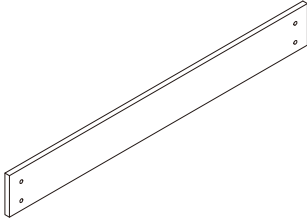


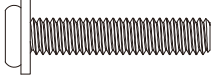
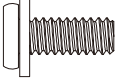
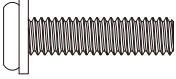
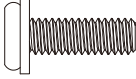
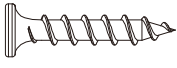

PARTS LIST

P.2

| | | |
|--|---|---|
| <p>1</p>  <p>1PC</p> | <p>2</p>  <p>1PC</p> | <p>3</p>  <p>1PC</p> |
| <p>4</p>  <p>2PCS</p> | <p>5</p>  <p>2PCS</p> | <p>6</p>  <p>2PCS</p> |
| <p>7</p>  <p>2PCS</p> | <p>8</p>  <p>1PC</p> | <p>9</p>  <p>1PC</p> |
| <p>10</p>  <p>1PC</p> | <p>11</p>  <p>2PCS</p> | <p>12</p>  <p>2PCS</p> |
| <p>13</p>  <p>1PC</p> | | |

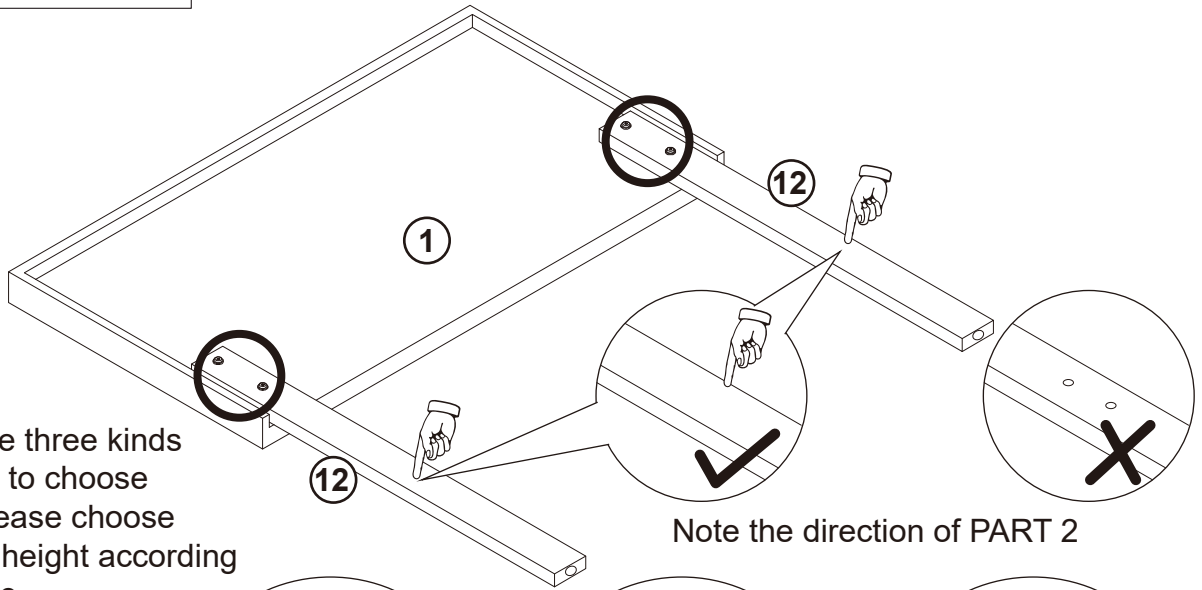
HARDWARE LIST

P.3

| | | | |
|---|--|--|---|
| A  5/16x45mm x4+1PCS | B  5/16x19mm x20+2PCS | C  5/16x35mm x2+1PCS | D  5/16x25mm x4+1PCS |
| E  M4x30mm x2+1PCS | F  M4x100 x1PC | | |

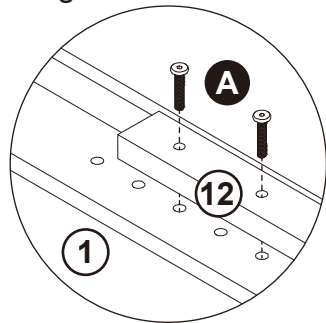
1

A x 4

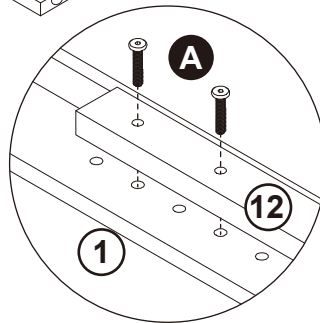


There are three kinds of height to choose from, please choose the right height according to the use.

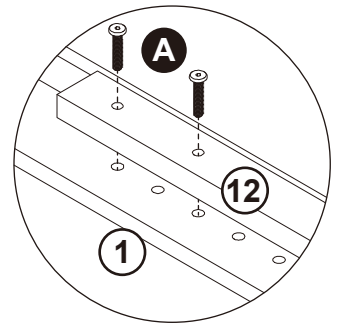
Note the direction of PART 2



HIGH

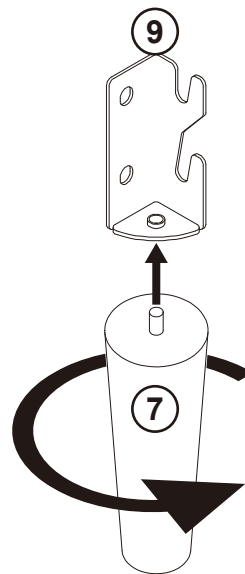
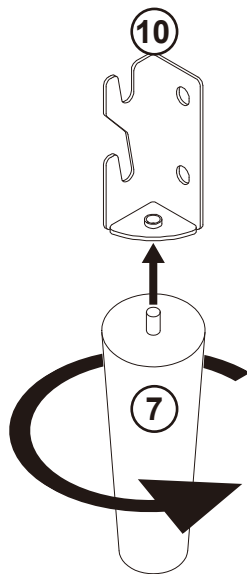


MIDDLE



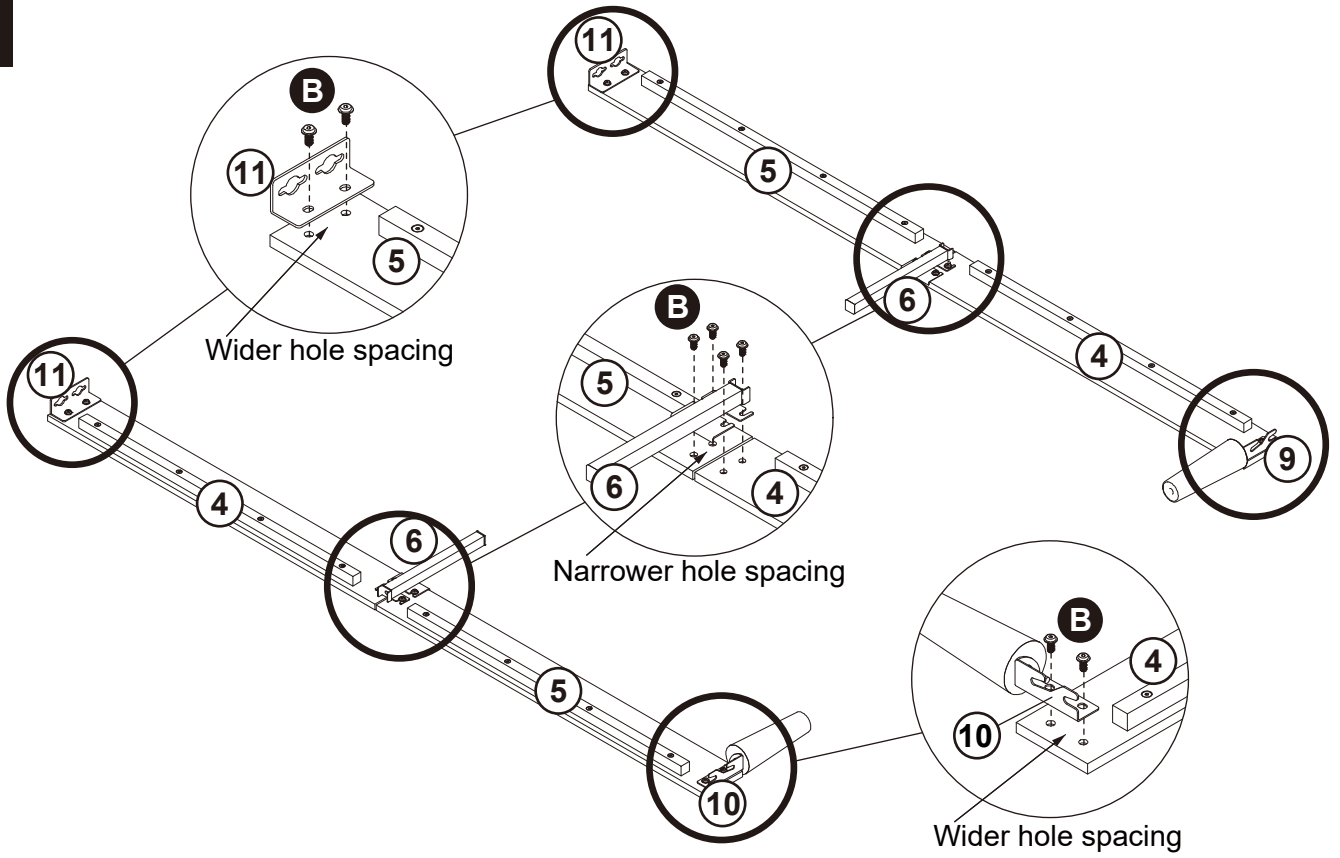
LOW

2



3

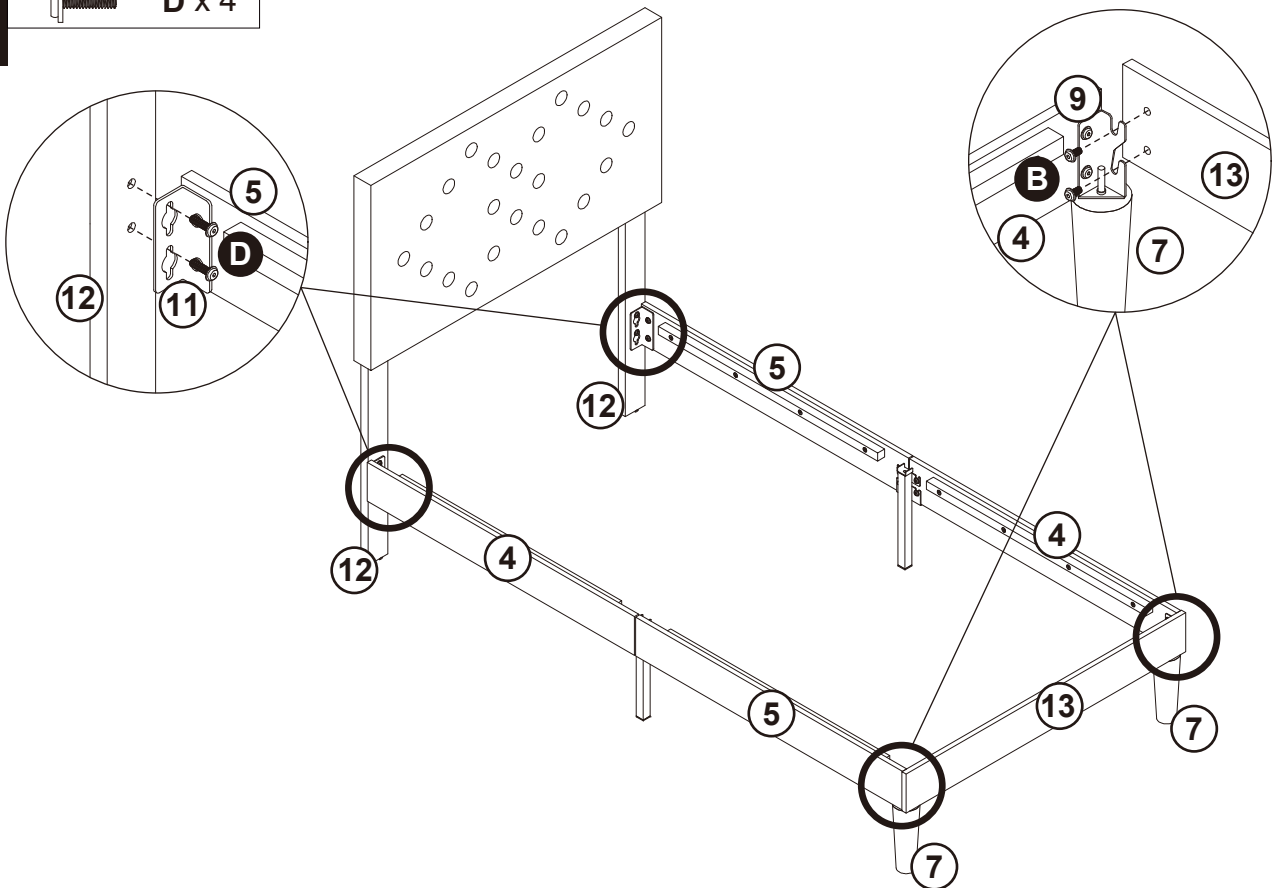
 B x 16



4

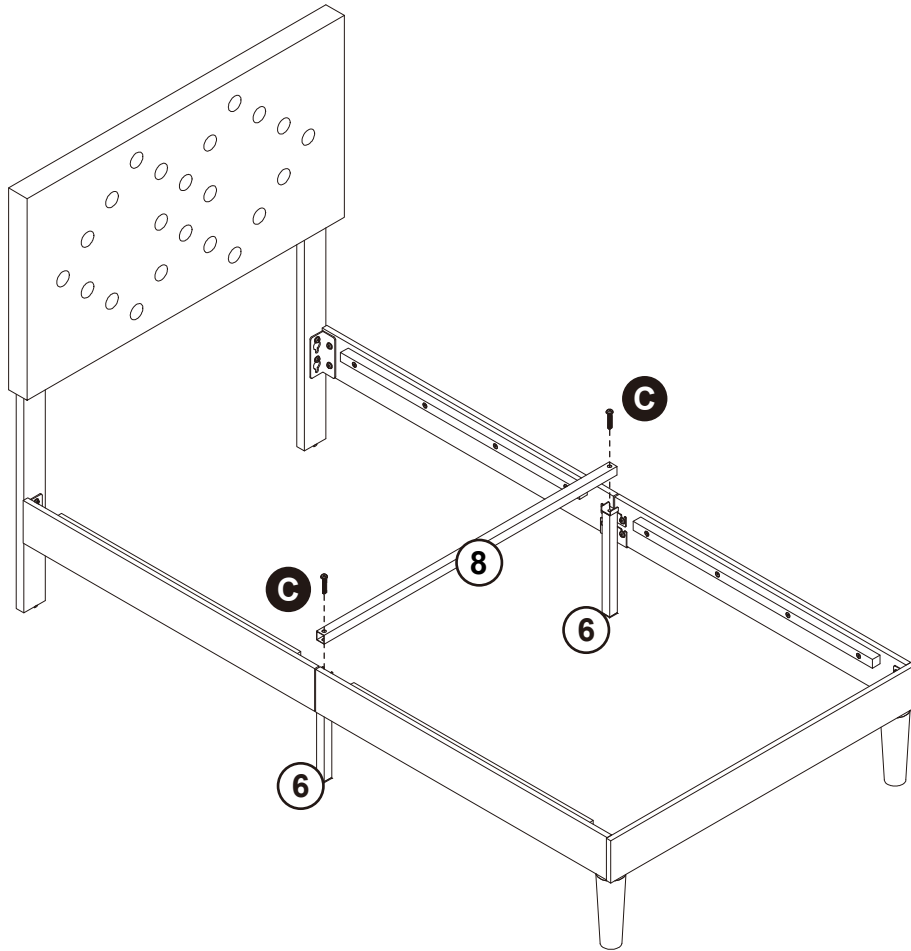
 B x 4

 D x 4



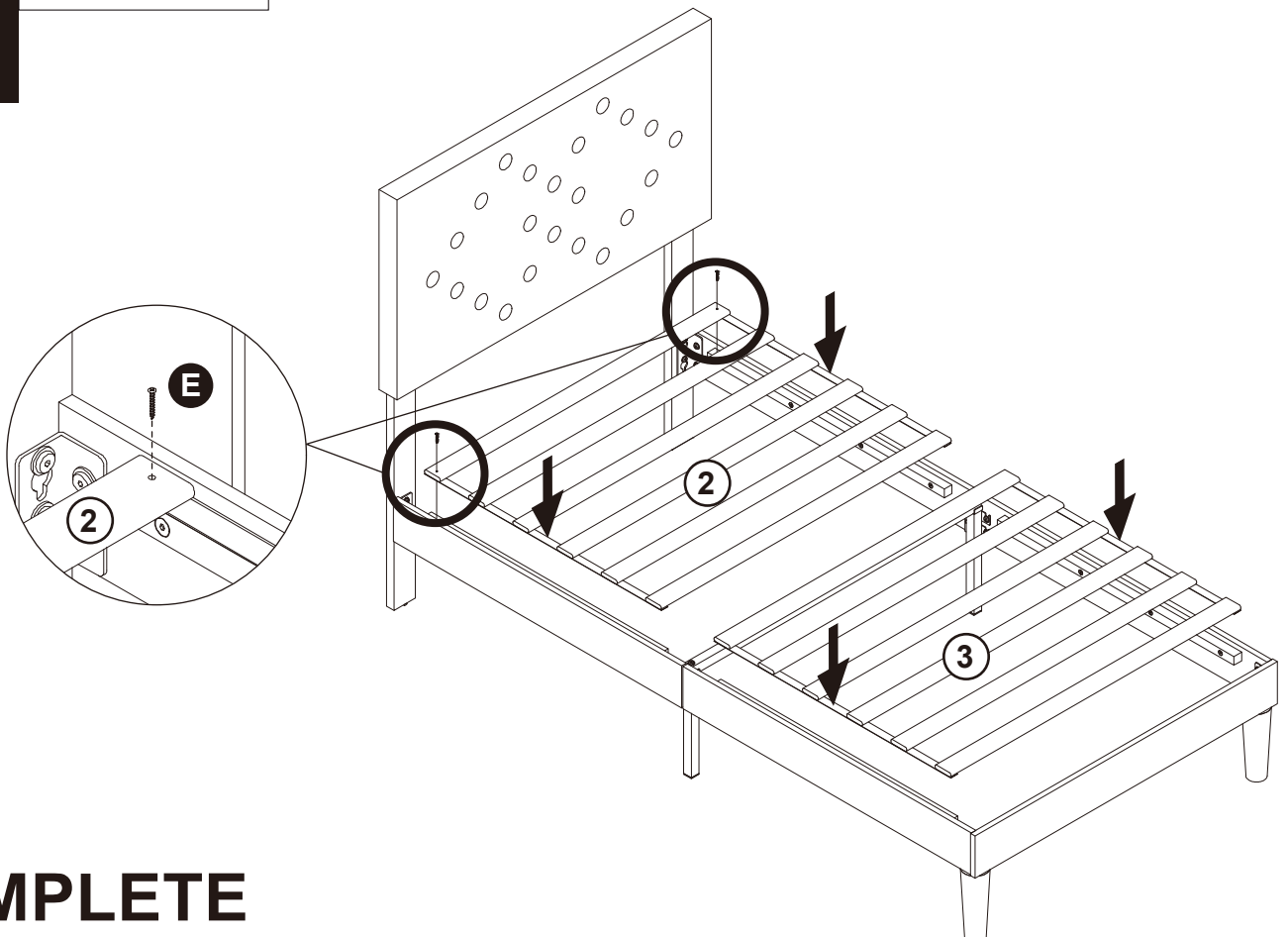
5

 C x 2



6

 E x 2



COMPLETE