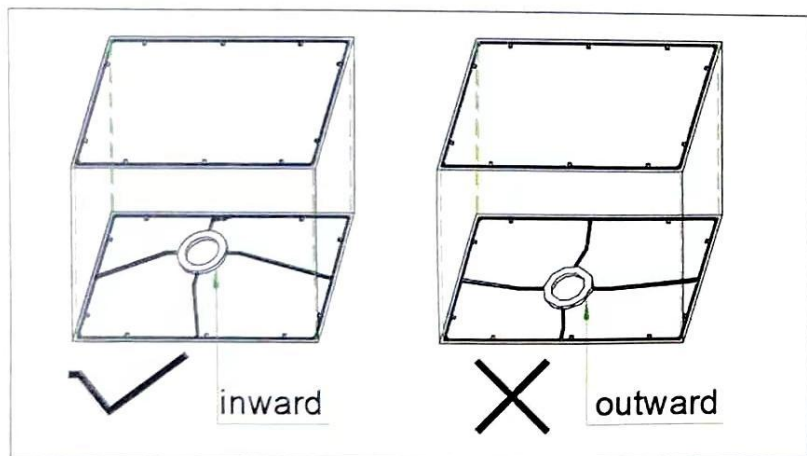
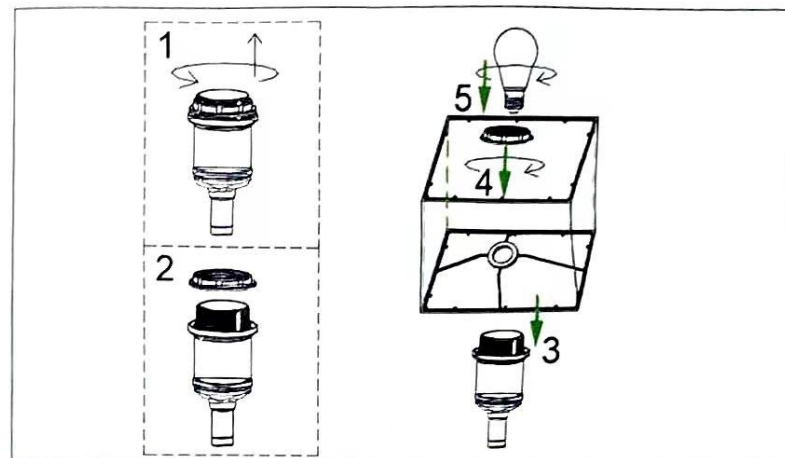


2. Secondly, as shown in the picture above, fold 90° in the direction of the buckle along the inner partition line of the fabric lampshade (4 places in total).



3. Then, fix the fabric lampshade holder to the plastic buckle on the inside of the lampshade. Adhibit the ends of the fabric lampshade tightly.



4. Finally, screw out the light socket ring, fix the lampshade and add the E26 LED bulb. Insert the power cord plug into the socket, then toggle the on/off switch on the base plate to turn on the light.

### 2-Year Limited Warranty:

Customer's satisfaction is our top priority, we guarantee a period of 2 years from the date of original retail purchase, if you have any questions about the products and customer service during the warranty period, please feel free to contact us

# Multifunctional Table Lamp

## Features :

★ **Instructions** : Multifunctional table lamp, with a simple and elegant appearance design, creates a modern and stylish atmosphere for your home. High quality and long lifespan. Reaching the Energy Star rating can better protect the living environment and save energy.

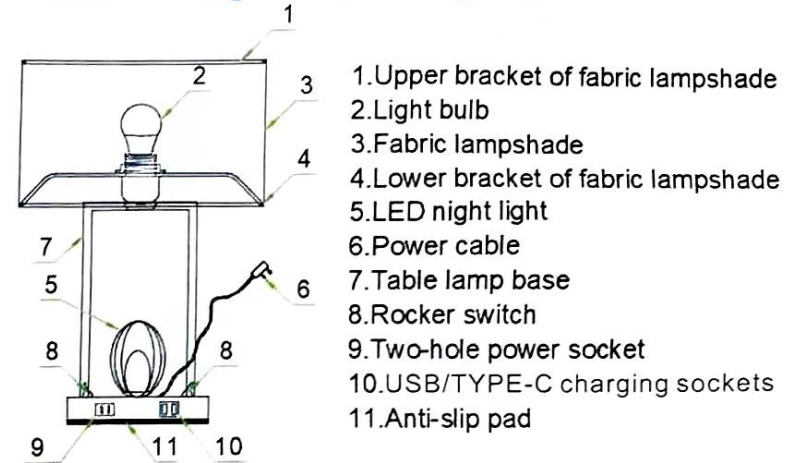
★ **Application** : It integrates functions such as table lamp, LED night light, USB charging, and two-hole power socket, which can meet the needs of daily reading, bedside auxiliary lighting and charging.

★ **Attention** : All electrical connections must be in accordance with local and National Electrical Code (N.E.C.) standards. If you are unfamiliar with proper electrical wiring connections, obtain the services of a qualified electrician.

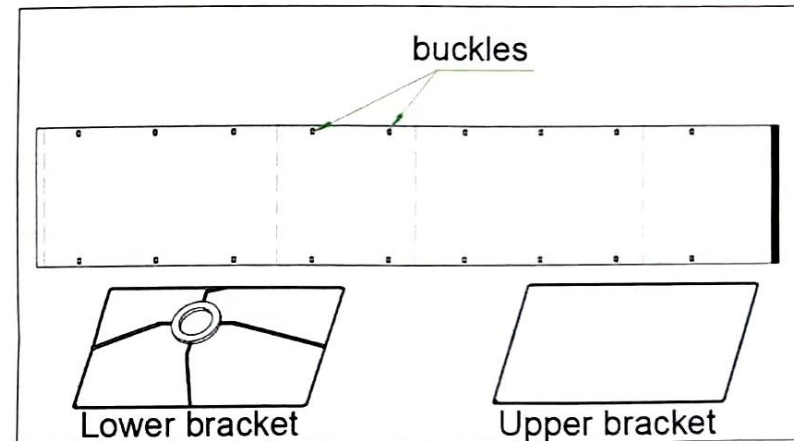
## Parameters :

Parameters	Multifunctional Table Lamp
Input	AC120V
Light source	LED bulb & LED spot source
Power	LED bulb : 7 W
	LED spot source : 1 W
Light output	LED bulb : 700 Lm
	LED spot source : 120 Lm
Light colour temperature	LED bulb : 3000 K
	LED spot source : 3000 K
USB/TYPER-C charging sockets	5V 2A
Two-hole power socket	AC120V 0.5A
Lamp body size	320x 180 x 450mm
Product list	Table lamp base, fabric lampshade and bracket, light bulb

## Product Composition Diagram :



## Installation :



1. Firstly, open the package and take out the lamp body, fabric lampshade, bracket and light source. Take out a lower bracket, an upper bracket and a fabric lampshade, and lay the fabric lampshade flat (the buttons face up).