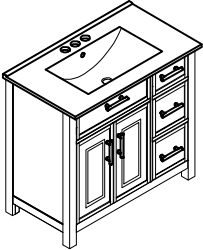


ASSEMBLY INSTRUCTIONS

ITEM # : 20JLVNVNT36BK-KD07

Thank you for purchasing this quality Product. Be sure to check all packing material carefully for small parts, which may have come loose inside carton during shipment. Identify and count all parts and compare with the parts list below.

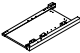







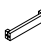








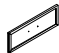






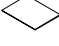

ASSEMBLY INSTRUCTION:

1. Remove hardware from box and sort by size.
2. Please check to see that all hardware and parts are present prior start of assembly.
3. Please follow attached instruction in the same sequence as numbered assure fast and easy assembly.

WARNING!

1. Don't attempt to repair or modify parts that are broken or defective. Please contact the store immediately.
2. This product is for home use only and not intended for commercial establishments.
3. Two persons are required for assembly.
4. Approximate assembly time 1/2 hours.
5. Component parts and fittings contained in the box. Please sort out all parts before you begin to assemble the item. This is to make sure you always use the correct part.
6. It is **STRONGLY RECOMMENDED** that you **ANCHOR** this product to your wall. Tipping furniture can cause serious injuries and death. To prevent your furniture from tipping forward it is strongly recommended that you securely attach this product to a wall or other solid surface, using the anchor straps provided appropriate fixings.

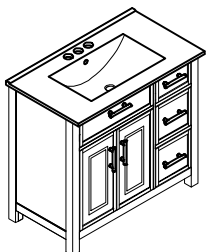
No.	Component	Q'ty
1	 Side Panel-Left	1
2	 Middle Panel	1
3	 Side Panel-Right	1
4	 Bottom	1
5	 Back Panel - Low	1
6	 Back Panel - Up	1
7	 Front Rail - Above	1
8	 Front Rail - Middle	1
9	 Front Rail #1 - Middle	1
10	 Front Rail #2 - Middle	1
11	 Front Rail #3 - Middle	1
12	 Shelf	1
13	 Door- Left	1
14	 Door- Right	1
15	 Front Flip down Box - Left	1

No.	Component	Q'ty
16	 Front Flip down Box - Left	1
17	 Front Flip down Box - Right	1
18	 Front Flip down Box - Right	1
19	 Front Drawer Panel - Top	2
20	 Sides Drawer Panel - Top (L)	2
21	 Sides Drawer Panel - Top (R)	2
22	 Back Drawer Panel	2
23	 Bottom Drawer Panel	2
24	 Sink	1

ASSEMBLY INSTRUCTIONS

ITEM # : 20JLVNVNT36BK-KD07

Thank you for purchasing this quality Product. Be sure to check all packing material carefully for small parts, which may have come loose inside carton during shipment. Identify and count all parts and compare with the parts list below.






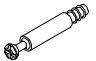

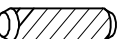
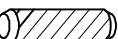

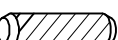
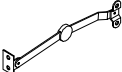


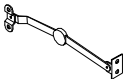
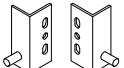









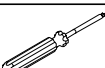
ASSEMBLY INSTRUCTION:

1. Remove hardware from box and sort by size.
2. Please check to see that all hardware and parts are present prior start of assembly.
3. Please follow attached instruction in the same sequence as numbered assure fast and easy assembly.

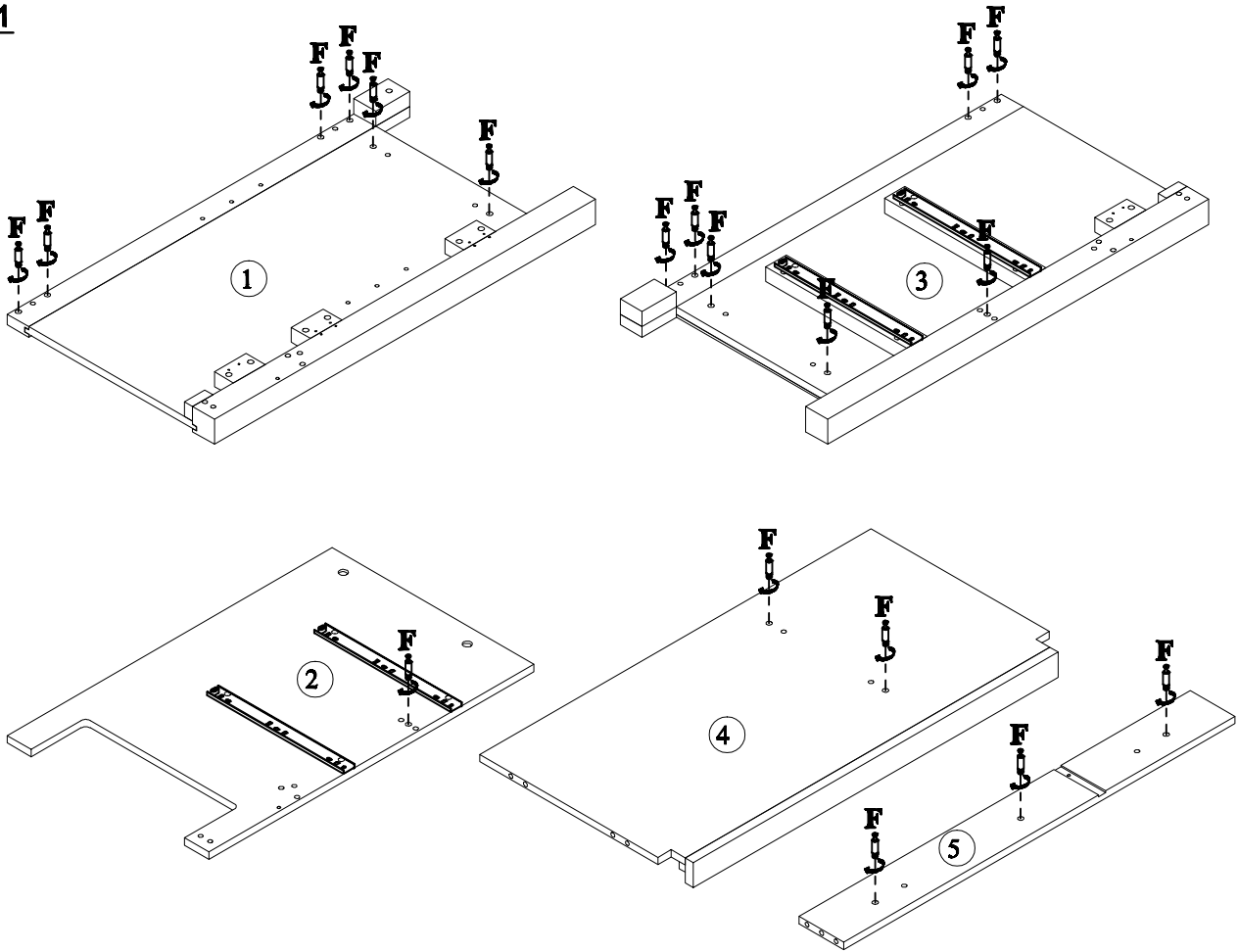
WARNING!

1. Don't attempt to repair or modify parts that are broken or defective. Please contact the store immediately.
2. This product is for home use only and not intended for commercial establishments.
3. Two persons are required for assembly.
4. Approximate assembly time 1/2 hours.
5. Component parts and fittings contained in the box. Please sort out all parts before you begin to assemble the item. This is to make sure you always use the correct part.
6. It is **STRONGLY RECOMMENDED** that you **ANCHOR** this product to your wall. Tipping furniture can cause serious injuries and death. To prevent your furniture from tipping forward it is strongly recommended that you securely attach this product to a wall or other solid surface, using the anchor straps provided appropriate fixings.

No.	Hardware	Q'ty
A	 Allen Bolts 1/4" x 45	2
B	 Allen Bolts 1/4" x 28	4
C	 Flat Washers 1/4" x 16 x 1	6
D	 Handle	6
E	 Screws ø5/32"x20mm	12
F	 Cam Lock Screws	19
G	 Cam Lock	19
H	 Wooden ø8x30mm	12
I	 Wooden ø8x50mm	3
J	 Screws ø8xø4x32mm	16
K	 Wooden ø6x30mm	8
L	 Rod Support hinges - Left	1

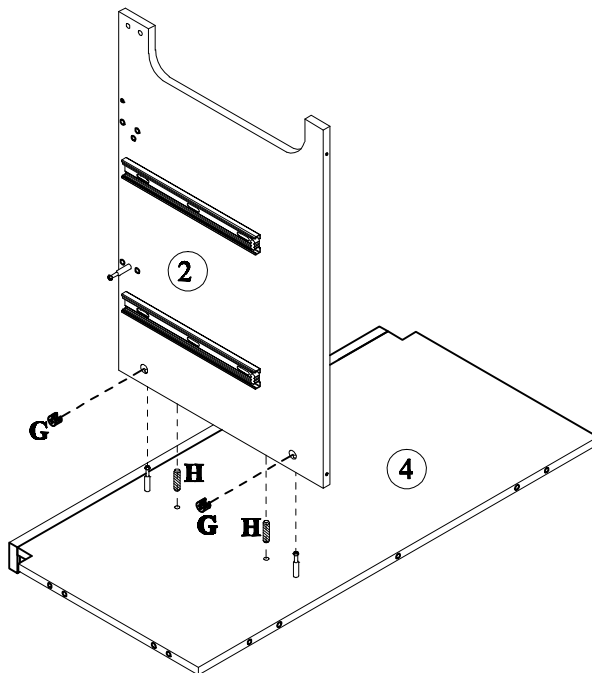
No.	Hardware	Q'ty
M	 Rod Support hinges - Right	1
N	 Swivel Hinges (L/R)	4
O	 Screws ø6xø3x12mm	16
P	 Shelf Support	4
Q	 Screws ø7xø3.5x12mm	4
R	 Hinges	4
S	 Screws ø7xø3.5x12mm	24
T	 Screws ø8xø4x25mm	2
U	 Screws ø8xø4x20mm	5
V	 Anti fall hardware (sets)	1
Y	 Allen key	1
	 Not Included	

Step 1



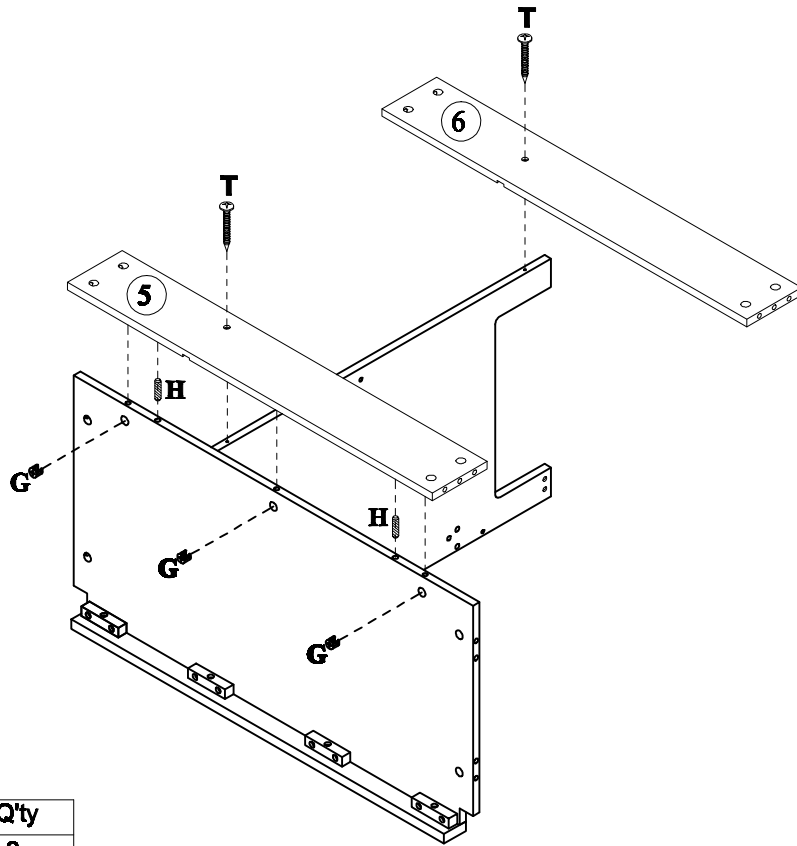
No	Hardware	Q'ty
F	Cam Lock Screws	19

Step 2



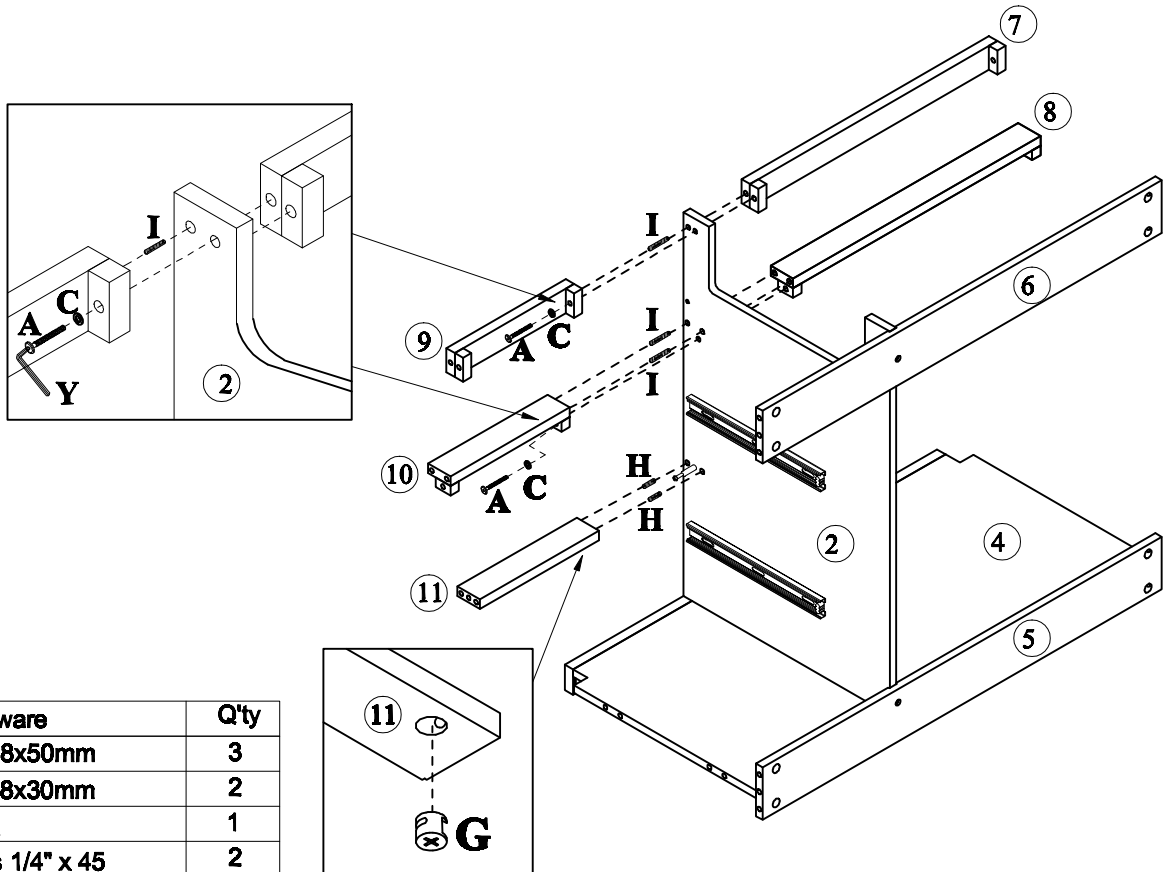
No	Hardware	Q'ty
G	Cam Lock	2
H	Wooden $\varnothing 8 \times 30 \text{mm}$	2

Step 3



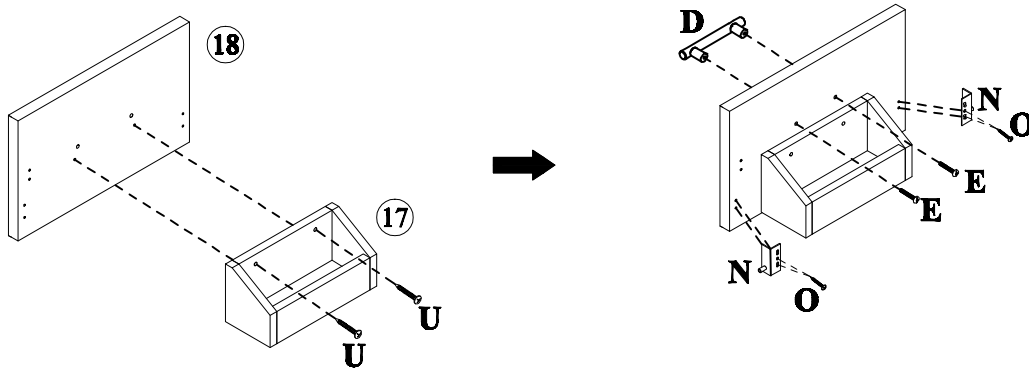
No	Hardware	Q'ty
G	Cam Lock	3
H	Wooden $\varnothing 8 \times 30 \text{mm}$	2
T	Screws $\varnothing 8 \times \varnothing 4 \times 25 \text{mm}$	2

Step 4



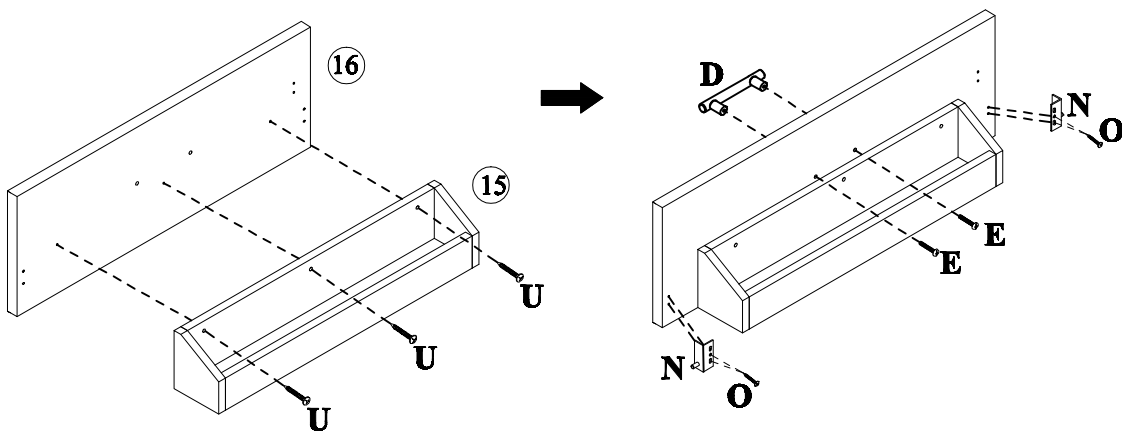
No	Hardware	Q'ty
I	Wooden $\varnothing 8 \times 50 \text{mm}$	3
H	Wooden $\varnothing 8 \times 30 \text{mm}$	2
G	Cam Lock	1
A	Allen Bolts $1/4" \times 45$	2
C	Flat Washers $1/4" \times 16 \times 1$	2
Y	Allen key	1

Step 5



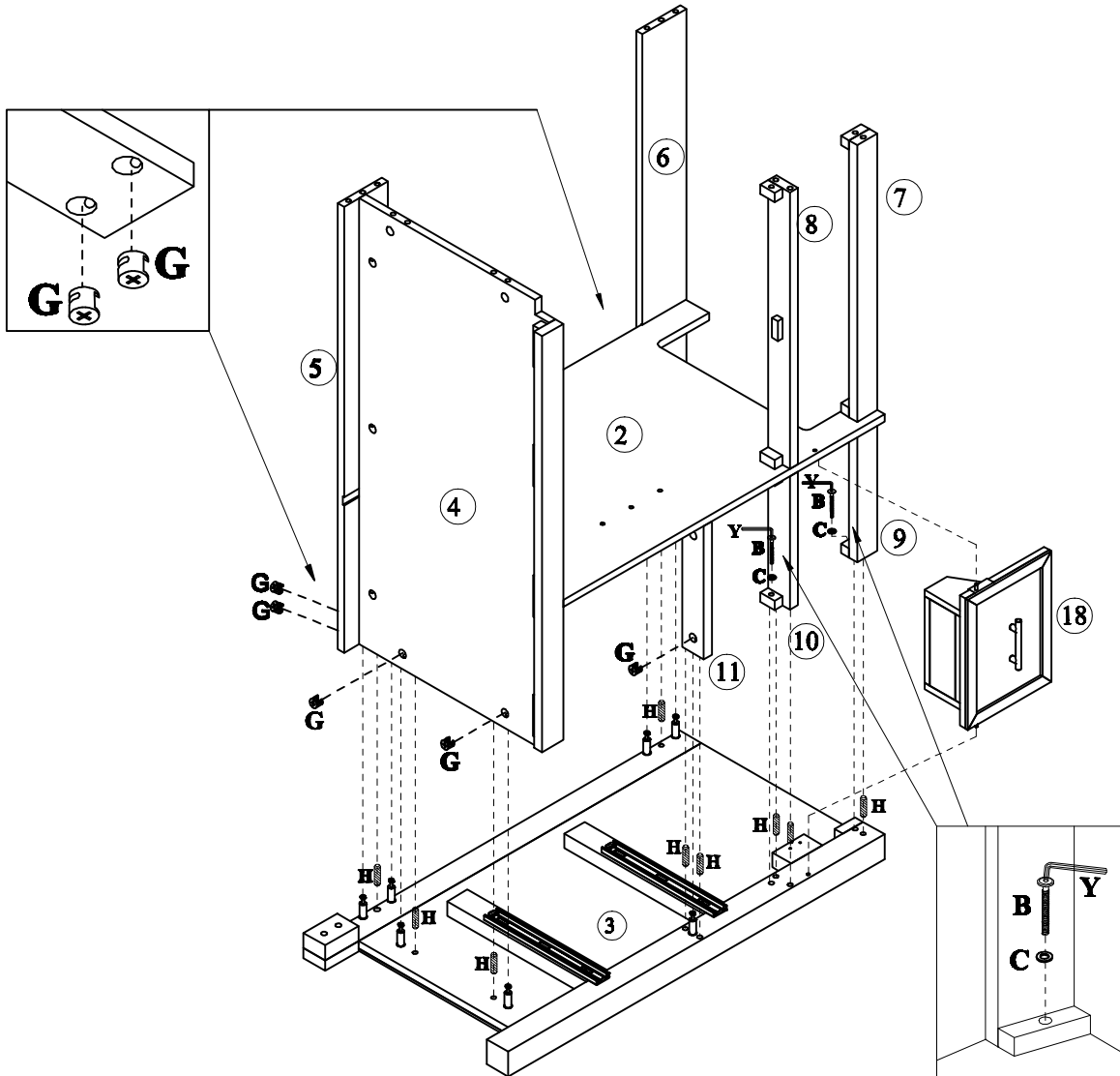
No	Hardware	Q'ty
E	Screws $\phi 5/32"$ x20mm	2
D	Handle	1
N	Swivel Hinges (L/R)	2
O	Screws $\phi 6$ x $\phi 3$ x12mm	4
U	Screws $\phi 8$ x $\phi 4$ x20mm	2

Step 6



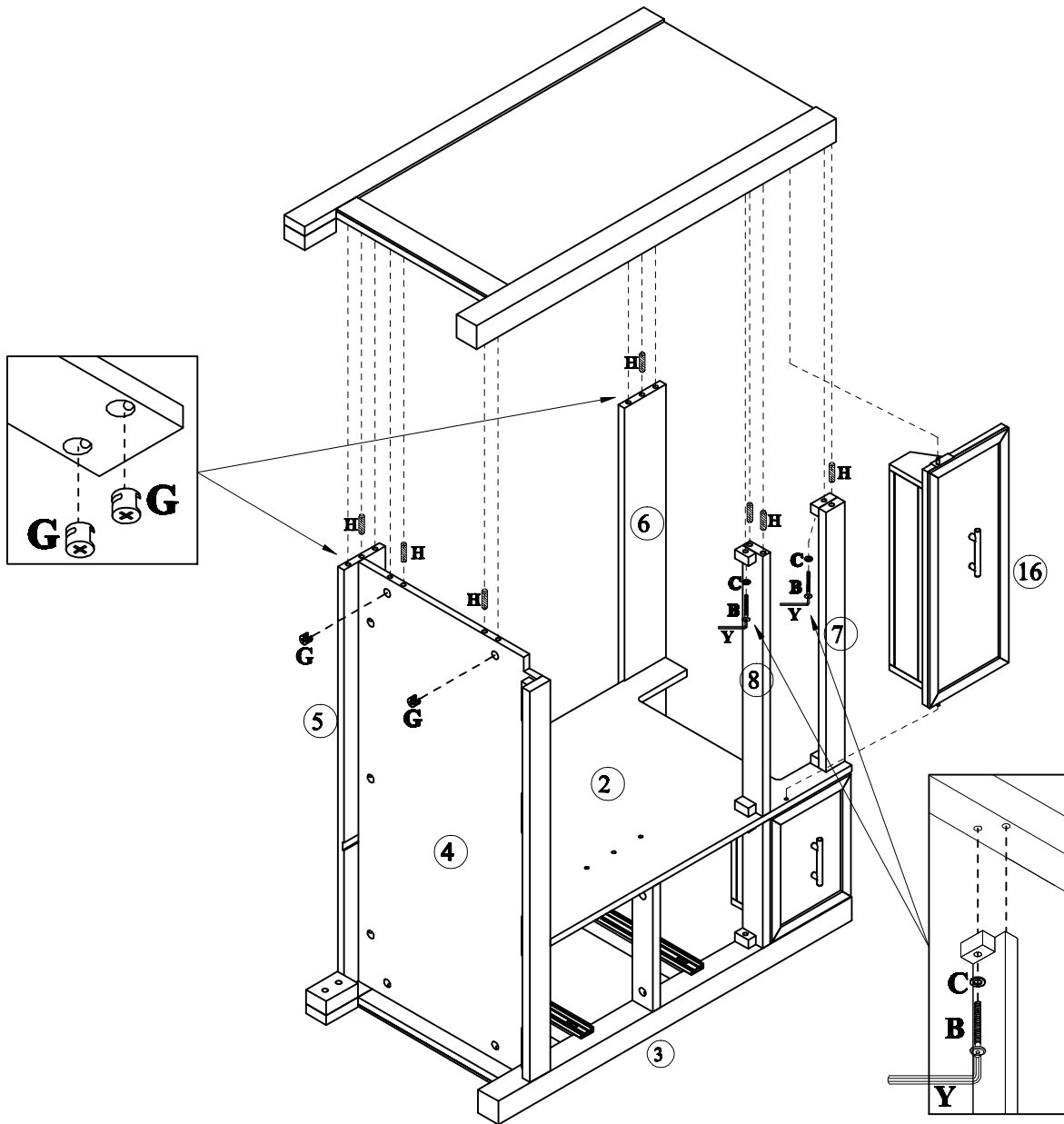
No	Hardware	Q'ty
E	Screws $\phi 5/32"$ x20mm	2
D	Handle	1
N	Swivel Hinges (L/R)	2
O	Screws $\phi 6$ x $\phi 3$ x12mm	4
U	Screws $\phi 8$ x $\phi 4$ x20mm	3

Step 7



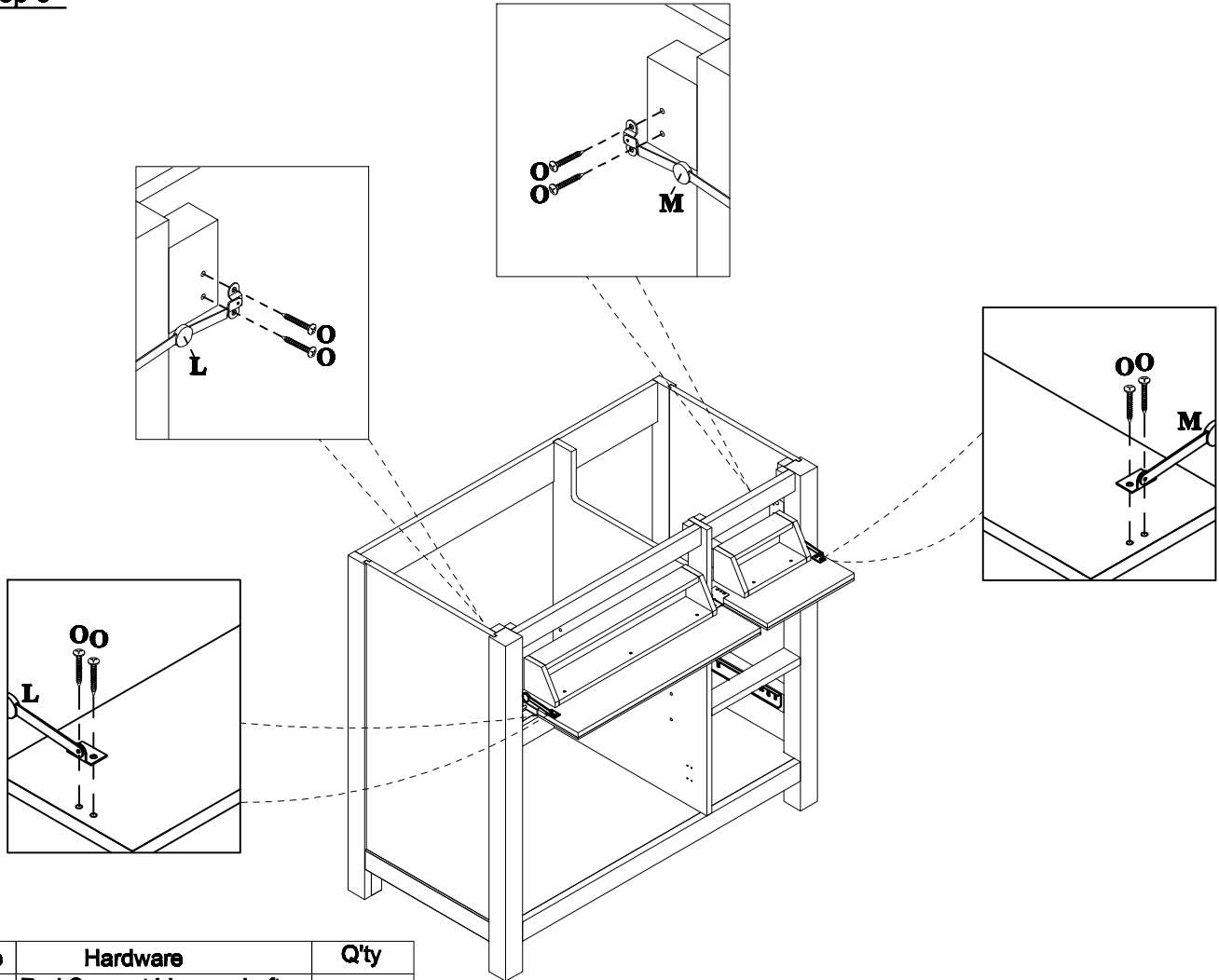
No	Hardware	Q'ty
Y	Allen key	1
G	Cam Lock	7
H	Wooden $\varnothing 8 \times 30 \text{mm}$	9
B	Allen Bolts 1/4" x 28	2
C	Flat Washers 1/4" x 16 x 1	2

Step 8



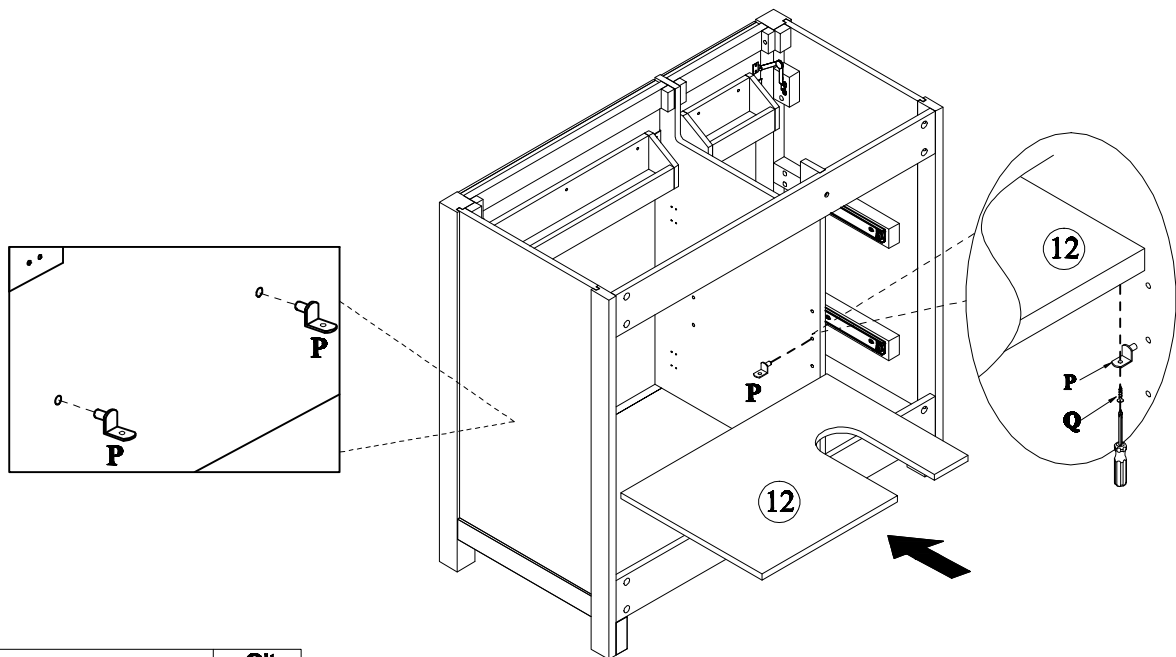
No	Hardware	Q'ty
Y	Allen key	1
G	Cam Lock	6
H	Wooden $\varnothing 8 \times 30 \text{mm}$	7
B	Allen Bolts 1/4" x 28	2
C	Flat Washers 1/4" x 16 x 1	2

Step 9



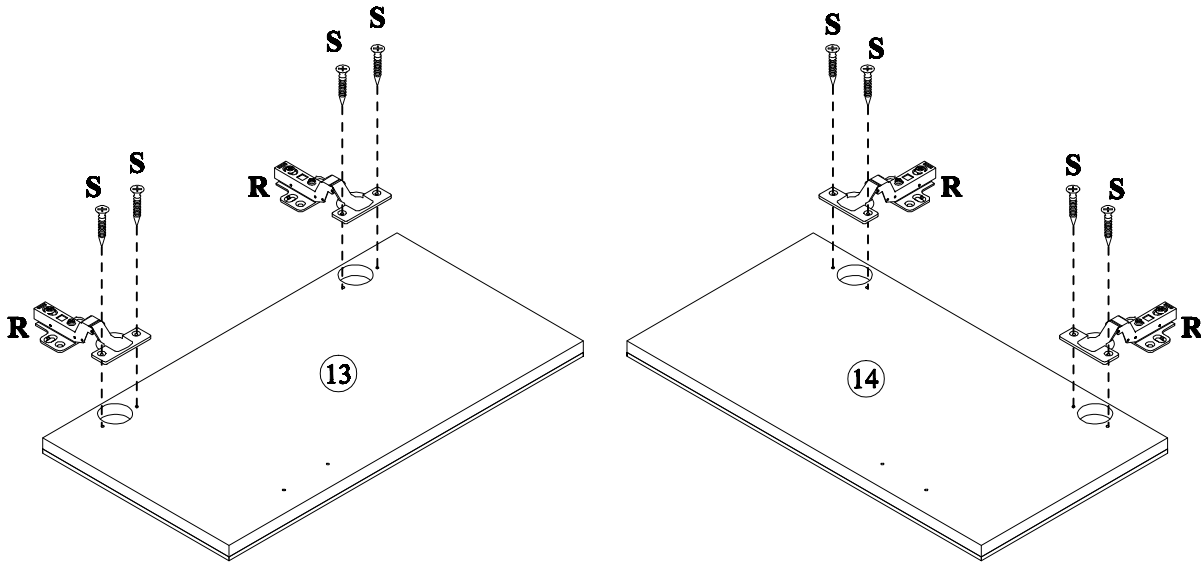
No	Hardware	Q'ty
L	Rod Support hinges - Left	1
M	Rod Support hinges - Right	1
O	Screws $\varnothing 6 \times \varnothing 3 \times 12 \text{mm}$	8

Step 10



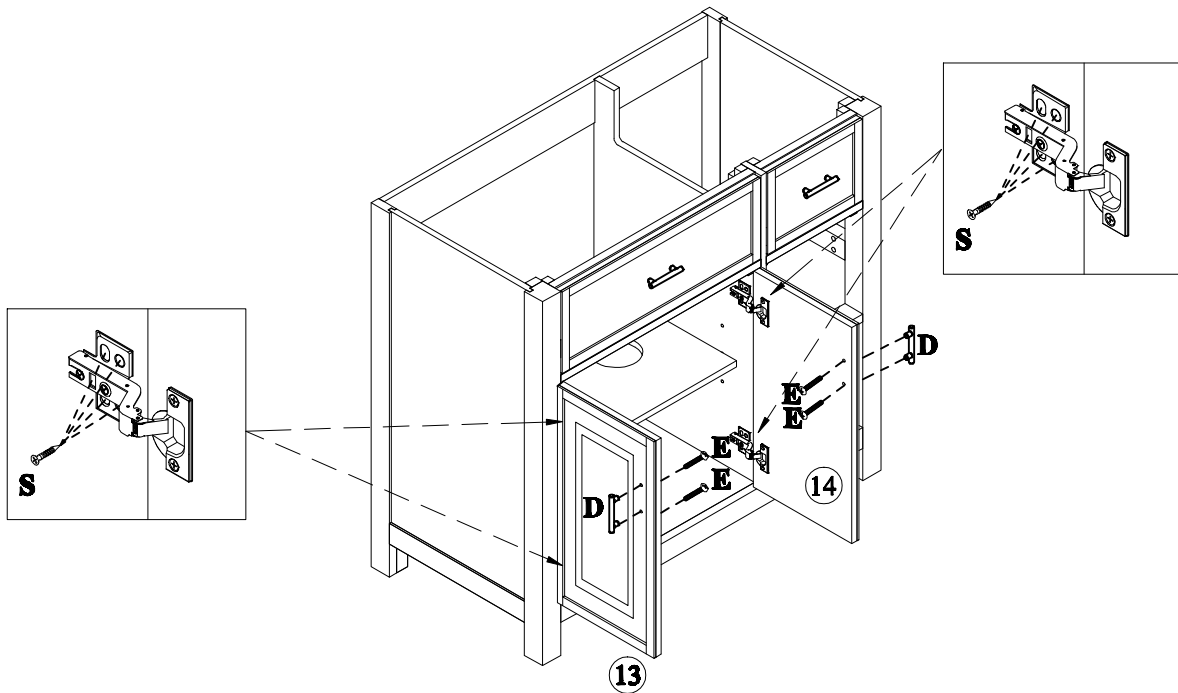
No	Hardware	Q'ty
P	Shelf Support	4
Q	Screws $\varnothing 7 \times \varnothing 3.5 \times 12 \text{mm}$	4

Step 11



No	Hardware	Q'ty
R	Hinges	4
S	Screws $\phi 7 \times \phi 3.5 \times 12 \text{mm}$	8

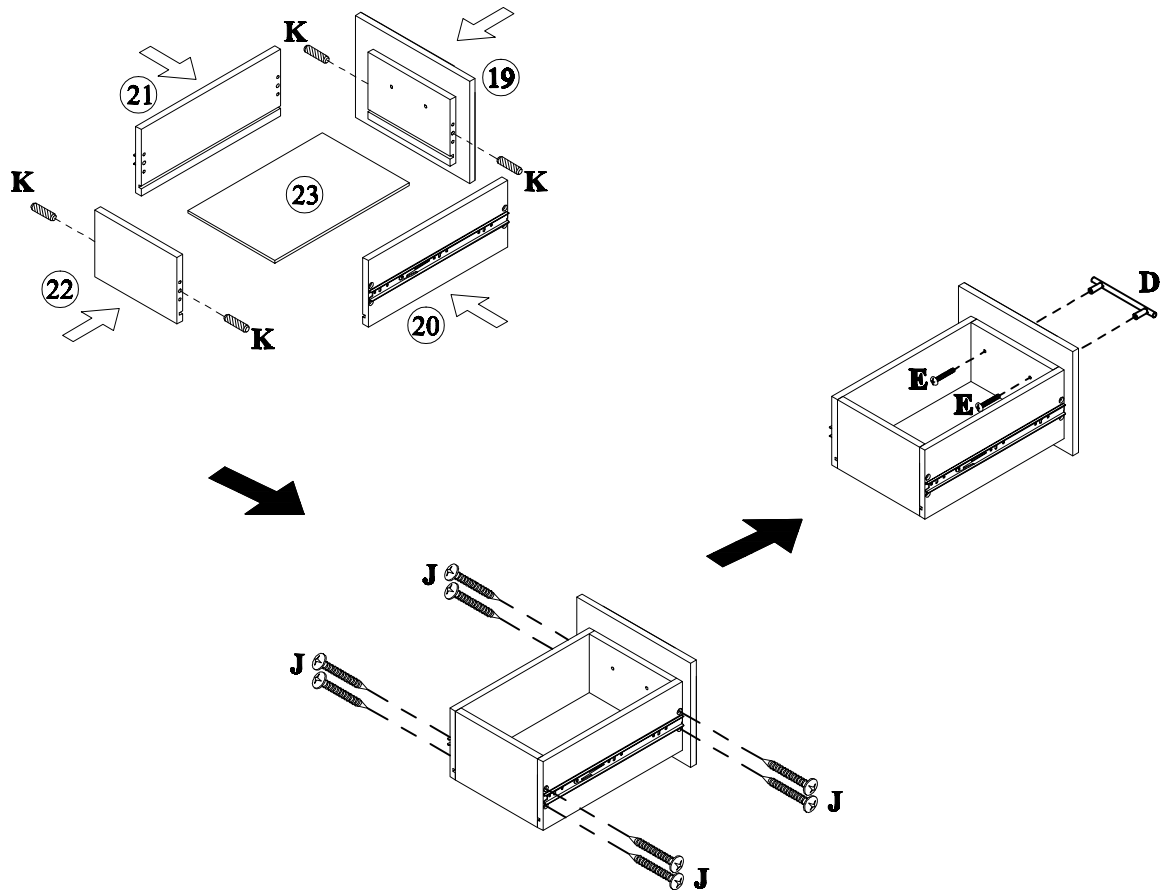
Step 12



No	Hardware	Q'ty
S	Screws $\phi 7 \times \phi 3.5 \times 12 \text{mm}$	16
D	Handle	2
E	Screws $\phi 5/32" \times 20 \text{mm}$	4

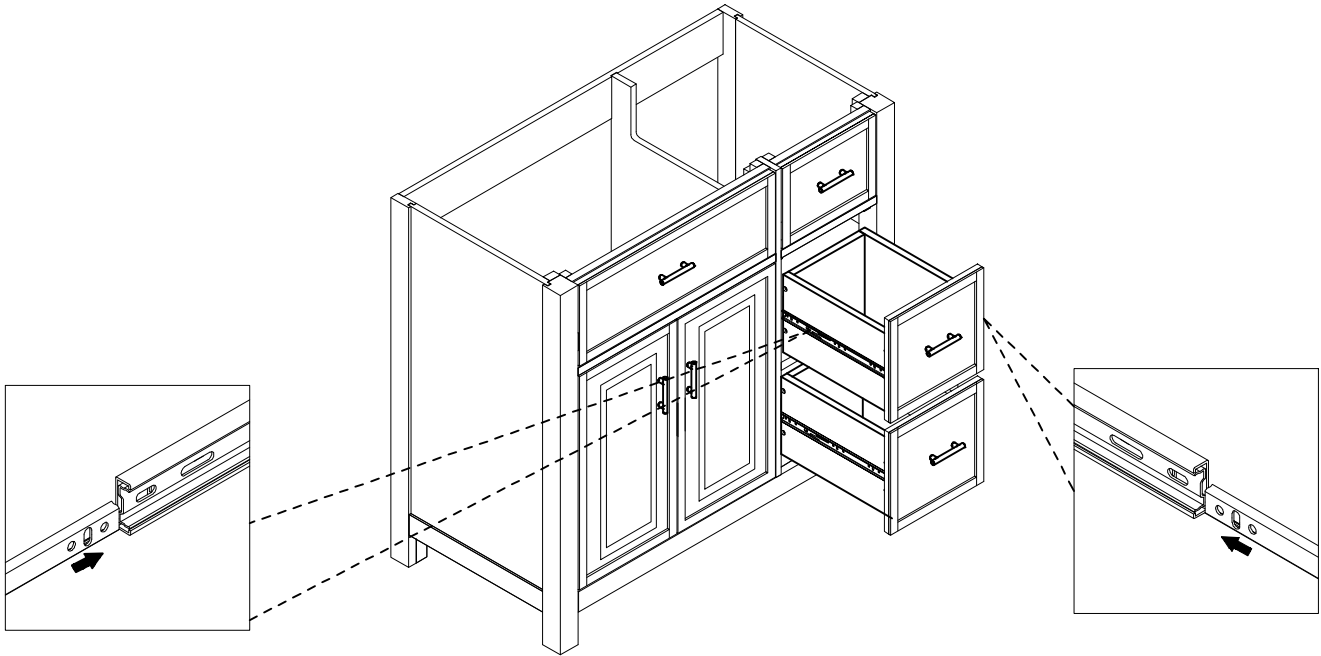
Step 13

x2

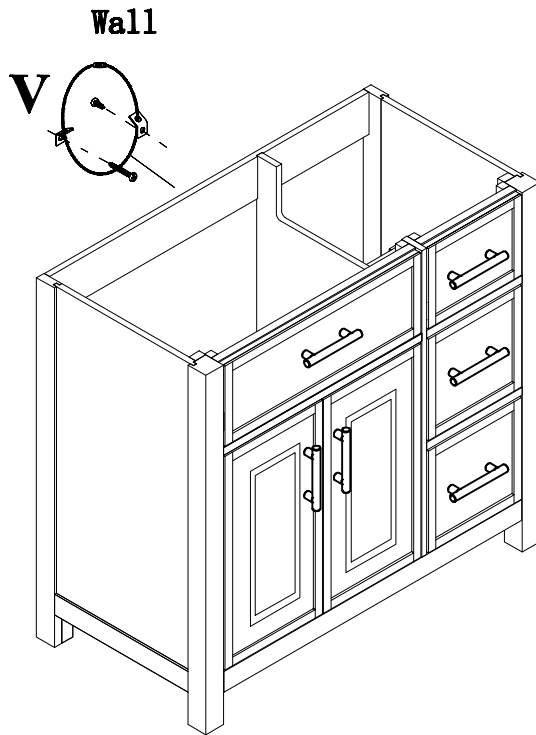


No	Hardware	Q'ty
K	Wooden $\varnothing 6 \times 30 \text{mm}$	8
J	Screws $\varnothing 8 \times \varnothing 4 \times 32 \text{mm}$	16
D	Handle	2
E	Screws $\varnothing 5/32" \times 20 \text{mm}$	4

Step 14

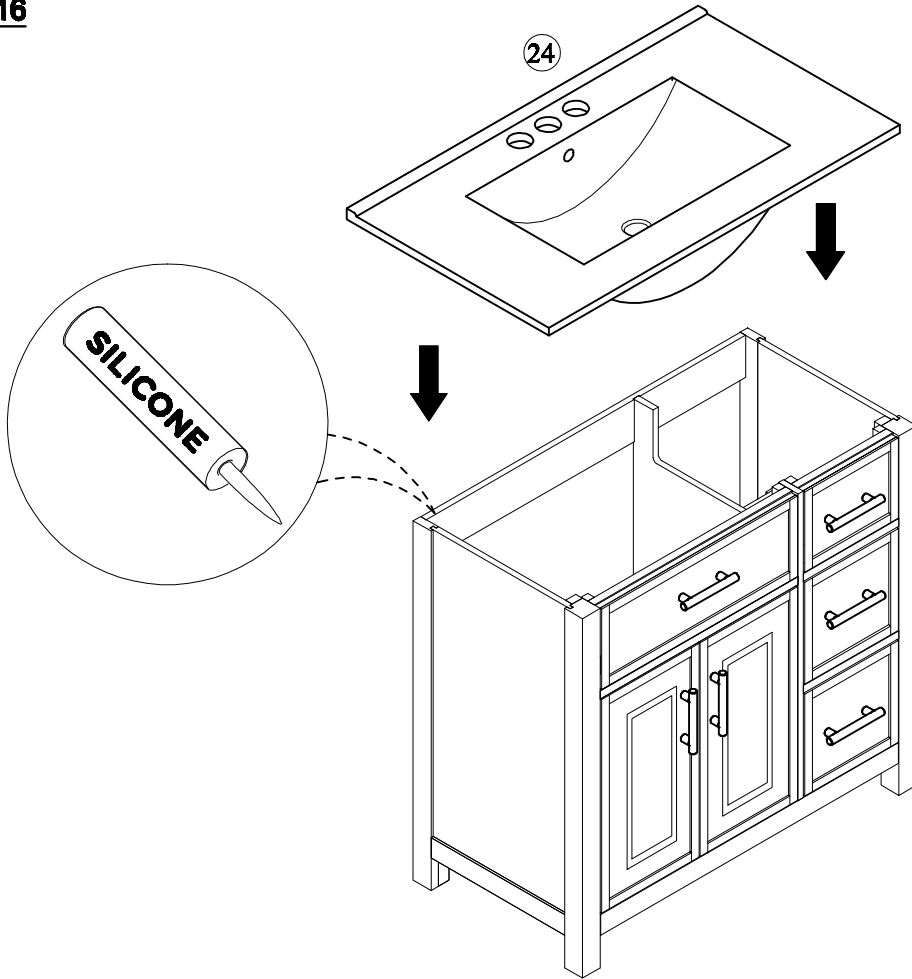


Step 15



No	Hardware	Q'ty
v	Anti fall hardware	1

Step 16



Step 17

