

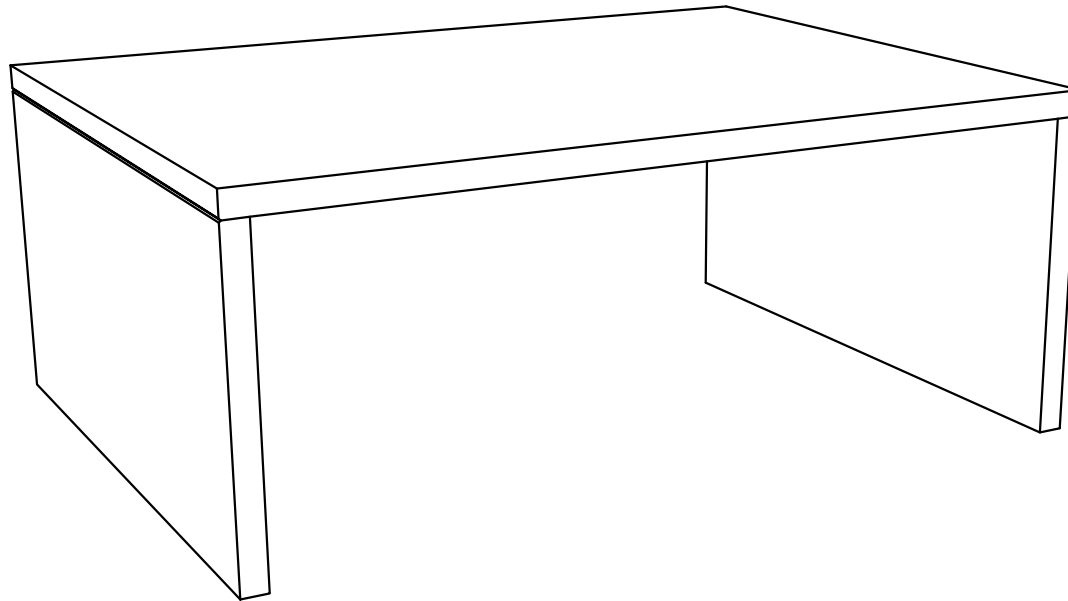
MOE'S

home collection

ASSEMBLY INSTRUCTIONS

ROSA COFFEE TABLE TORONTO MARBLE

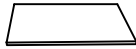


GZ-1189-20-0






THANK YOU FOR YOUR PURCHASE!

PARTS AND HARDWARE.

PARTS LIST

No.	DESCRIPTION	IMAGE	QTY
1.	TOP		01
2.	IRON HARDWARE		01
3.	LEGS		02

HARDWARE LIST

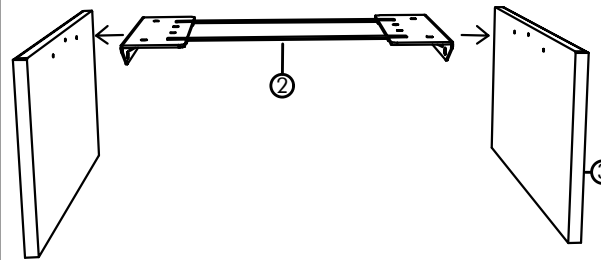
No.	DESCRIPTION	IMAGE	QTY
4.	FLAT WASHER		14
5.	ALLEN BOLT (6x12 MM)		14
6.	ALLEN KEY		01

NOTES.

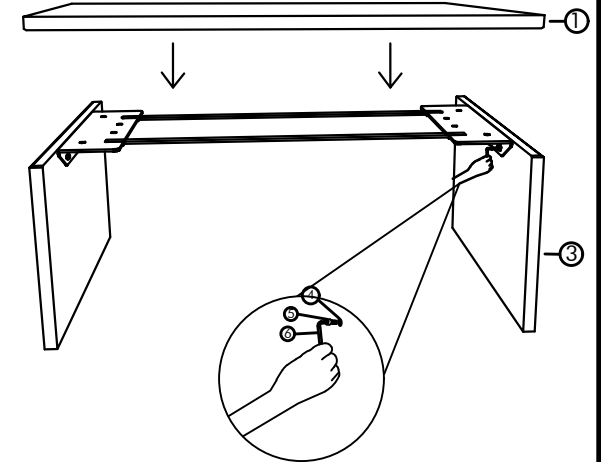
Thank you for purchasing this quality product ! Be sure to check all packing material carefully for small part that may have come loose inside the carton during shipping.

CAUTION: The item is heavy assembly should be performed by two people. ensure that the coffee table is installed in the same location where it will be placed for use.

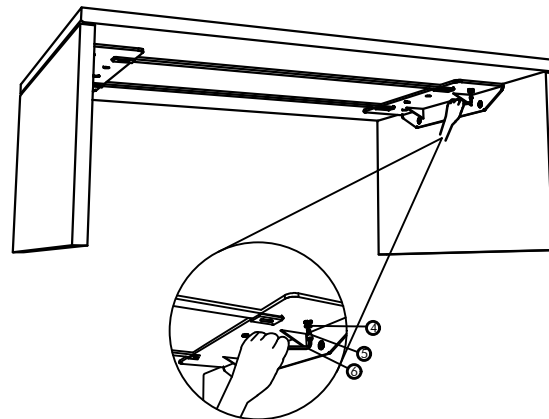
STEP 1.



STEP 2.



STEP 3.



STEP 4.

