

DREAMS

IDEA

Instruction Manual



DREAMS/DEA

NO.OD0004(D)-SIDE TABLE

ABOUT US

*D*REAMSIDEA IS A ONE-STOP HOME

FURNISHING AND SERVICE COMPANY BASED IN USA.

WE ARE DEDICATED TO BRINGING YOUR DREAM HOME TO LIFE.

OUR SERVICES COVER FROM DESIGN, PRODUCTION,

DIRECT SELL, STORAGE, AND TRANSPORTATION.

IF REALITY IS THE NEAR SHORE

AND IDEALISM THE FAR SHORE,

*D*REAMSIDEA

AS THE FERRY BETWEEN THEM,

EAGER TO ACCOMPANY YOU ON A JOURNEY

TO YOUR IDEAL HOME.



ITEM NO.OD0004(D)-SIDE TABLE

WARRANTY

We strive to offer high quality product and we also try our best to satisfy each customer that order from us, no matter on products or services as needed. Each customer receives a record of their order, such as the order number or item receipt. For any items that are out of warranty period, you may still be able to purchase the replacement parts from our company if they are available.



Are you having difficulty
with assembly? Missing parts?

Please contact us : info@firstopintl.com

Tel: (562)-781-3327

send an email with your order No. to us

For return, please check the return policy with
the retailer or platforms you bought from.

Appreciate your purchasing from us.

Pop up your life by our furniture !

MAINTENANCE AND WARNING

Please read the manual thoroughly
before you start installing.

Please keep the product away from
sharp object.

Packaging and small parts may have
chocking hazard, please keep them away
from children and pets.

Please clean the product according to each
clean code, check the product description
for more information.

Please keep the product away from
fire.

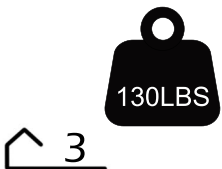
If you have any other questions, please
contact us, we will be glad to help you out.

If the product is placed under direct
sunlight, the pattern or color might fade
away overtime.

Check the product periodically to make
sure everything is secured and tightened.

Always use proper tools for installation.

Do not jump on the product.



Around 15 min

PRDOUCT DESCRIPTION

Premium Solid Teak – Constructed from high-density, sustainably sourced teak wood, offering superior durability, natural oil content, and resistance to moisture, decay, and warping for long-term outdoor use.

Dual-Level Design – Features a spacious tabletop for beverages, décor, or serving items, complemented by a slightly smaller lower shelf for books, planters, or small accessories.

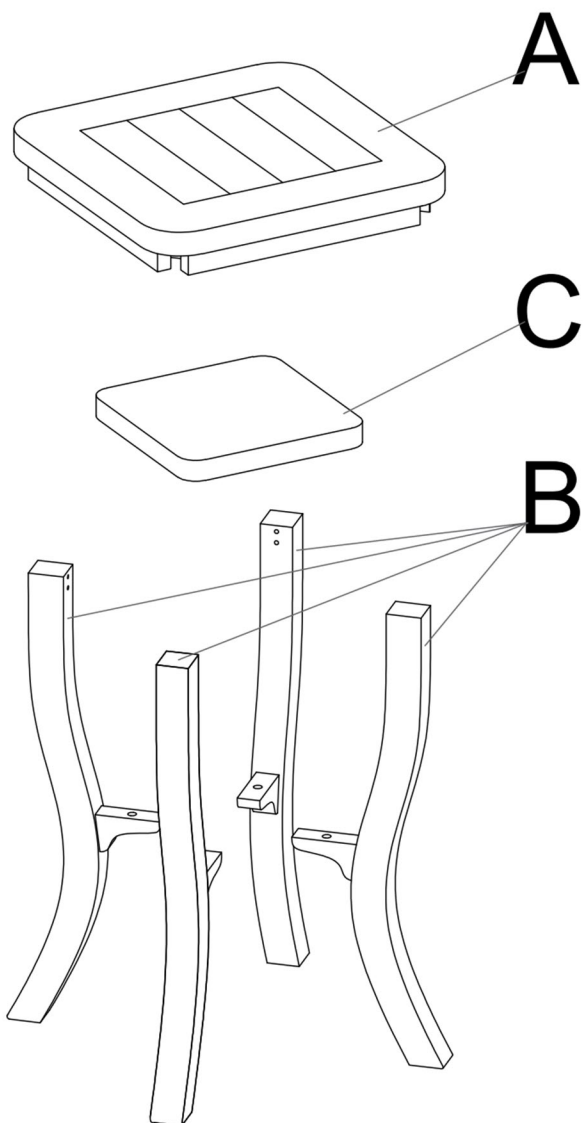
Precision Joinery & Reinforced Frame – Engineered with professional-grade joinery and reinforced legs to ensure structural stability and load-bearing reliability under outdoor conditions.

Natural Aesthetic – Warm teak tones and visible wood grain create a sophisticated garden-inspired look, enhancing terraces, patios, and backyard settings.

Functional Versatility – Designed for both entertaining and casual outdoor use, combining practicality with elegant visual appeal, providing organized storage without compromising style.



EXPLODED VIEW



PARTS

A*1



Side table top

B*4



Table legs

C*1



Shelve board

HARDWARE

TOOL LIST

NOTE: Designated with (★) We provide additional spare parts in the hardware package

①*8



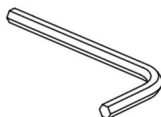
★M6*40mm
Bolts

②*8



★Ø6*18mm
Flat washer

③*1



Allen key

④*4



M6*25mm
Bolts

⑤*4

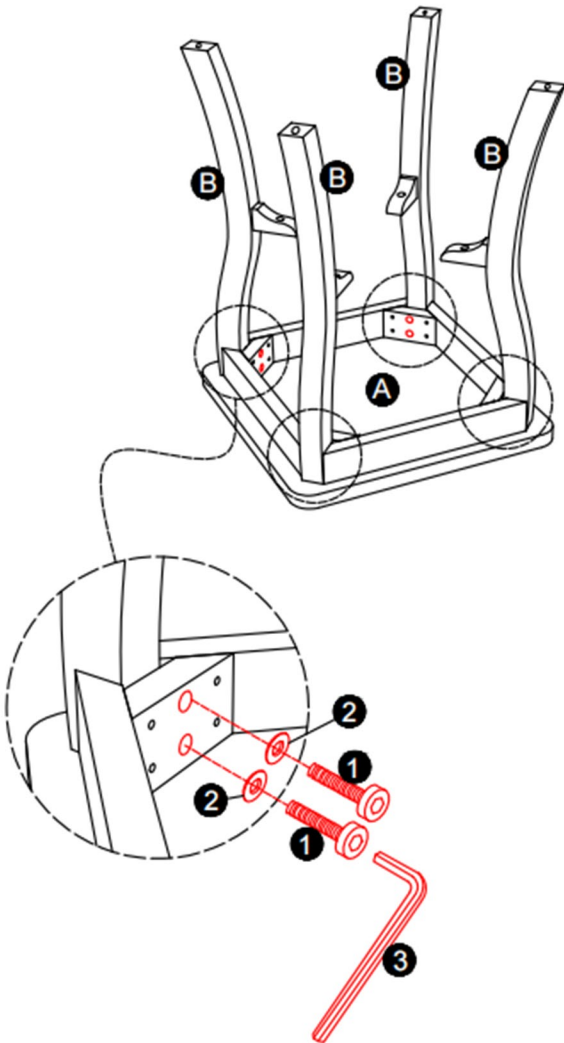


Ø6*14mm
Flat washer

Please make sure all hardware&packing material fitting the list.
Especially some small accessories may be missing during transportation. Please contact us if you have any question.

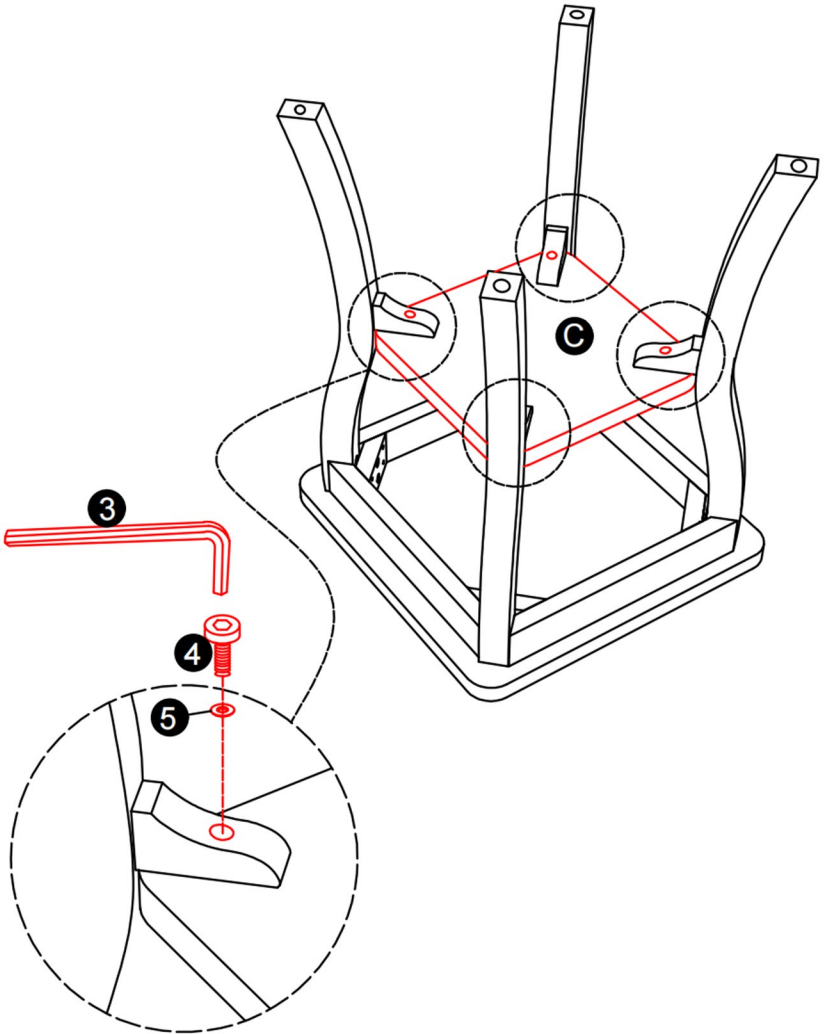
step 1

Fix the legs (B) to the table top (A) by inserting the bolts (1) and washers (2) into the designated bolt holes on each corner as shown, use the allen wrench (3) provided to twist all bolts by 20%, DO NOT tighten the bolts.



step 2

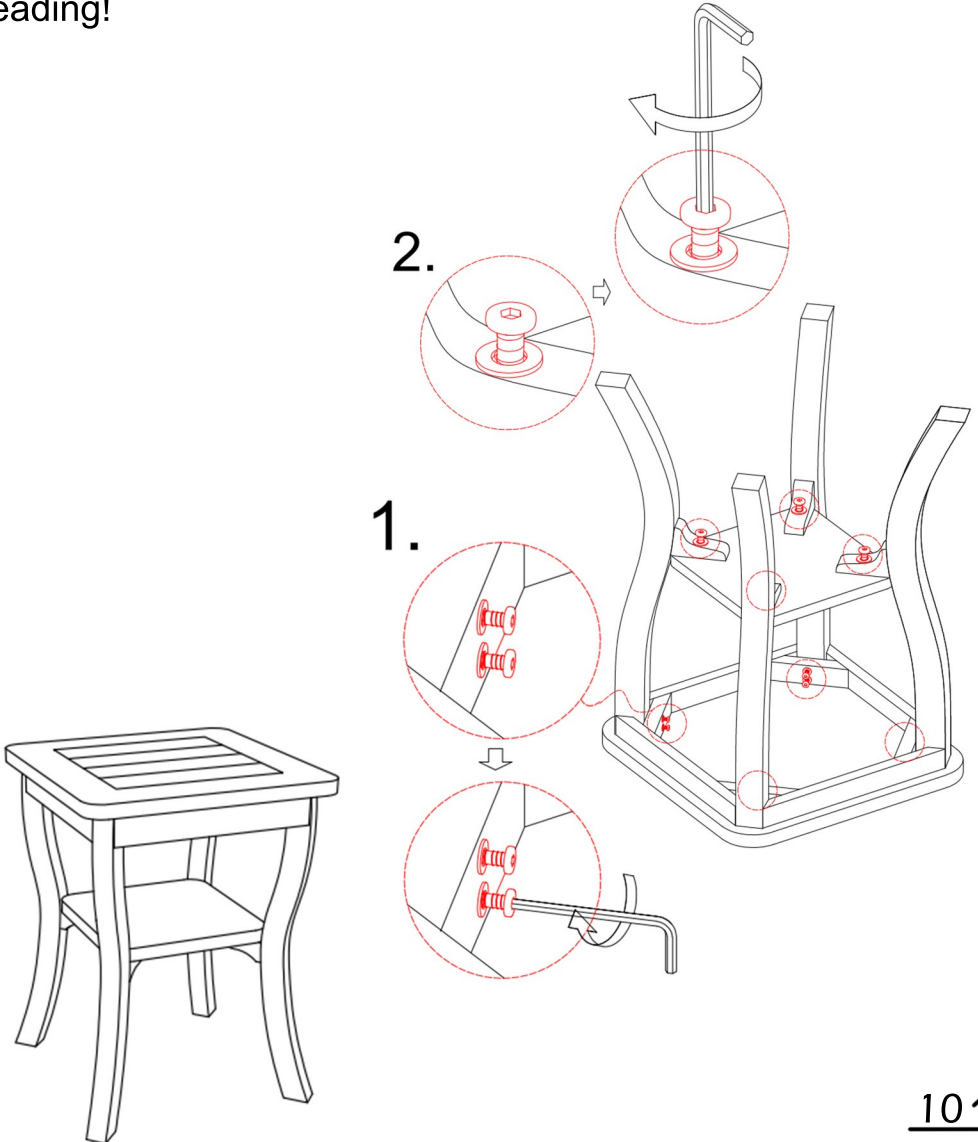
Fix the shelf board to the legs by inserting the bolts (4) and washers (5) into the designated bolt holes on each leg and the bottom of the shelf board, use the allen wrench (3) provided to twist all bolts by 20%,DO NOT tighten the bolts.



step 3

Tighten all the bolts from previous steps with the allen wrench provided.

Clean up the mess and start enjoy it. congratulation! you have complete the assembly, now it's all yours. thank you for reading!





ASSEMBLY INSTRUCTIONS

Tel.(562)-781-3327

Please contact us:info@firstopintl.com

<https://www.dreamsidea.com>