

# ASSEMBLY INSTRUCTIONS

## CORNER DESK

ASSEMBLY REQUIREMENTS	1.5 Hours Assembly Time (Approximate)	2 -Person Assembly 	Tools Required (Not Provided): Phillips Screwdriver  Flat Head Screwdriver 
-----------------------	---	---	---

### Thank you for purchasing our product!

Please refer and use this assembly instruction to assemble the product.  
Contact our customer service department in case there are any missing or damage parts or hardware.  
Replacement parts are normally shipped within 2 or 3 days.

**PRODUCTS PURCHASED THROUGH OUR AUTHORIZED VENDORS ONLY ARE ELIGIBLE FOR REPLACEMENT PARTS.**

**THIS PRODUCT IS FOR INDOOR AND HOUSEHOLD USE ONLY - NOT FOR COMMERCIAL USE.**

### ASSEMBLY PREPARATION

1. Remove all packaging materials, staples and packing straps from the carton.
2. Refer to Parts List and Hardware List and ensure they are correct before assembly.  
Contact customer service for missing parts.
3. Place all wooden parts on a clean, flat and soft surface (e.g. carpet or rug) to prevent parts from getting scratched.

### SAFETY PRECAUTION:

1. KEEP ALL HARDWARE PARTS OUT OF REACH OF CHILDREN.
2. DISPOSE PLASTIC PACKAGING MATERIAL IMMEDIATELY TO AVOID ANY RISK OF SUFFOCATION TO CHILDREN AND ANIMALS.

### TIPS FOR ASSEMBLY:

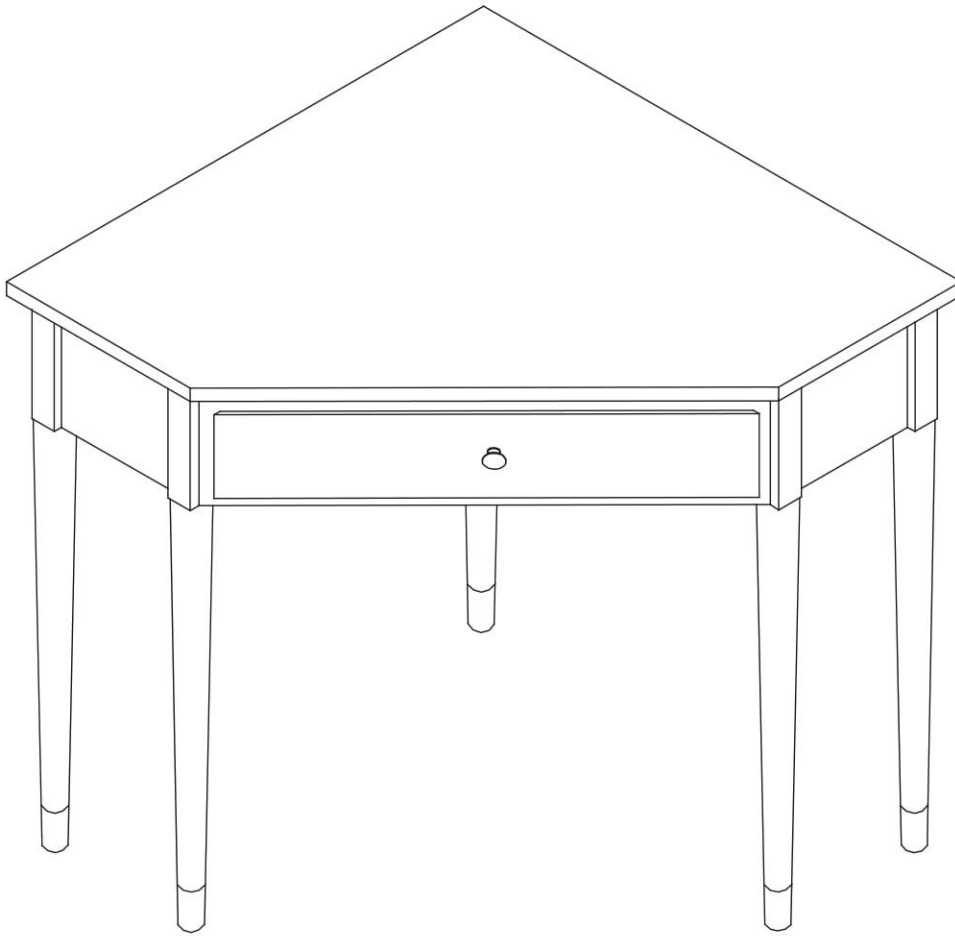
1. Allow ample room for assembly and in close proximity to where product will be placed.
2. Assemble the product on a surface that does not scratch or damage the exterior gloss and finish of the furniture.
3. Identify all of the parts, hardware and quantities required for each step.
4. During assembly, do not over-tighten any fittings as this may cause damage.
5. DO NOT USE POWER TOOLS TO ASSEMBLE THIS PRODUCT.
6. Always place the product on a flat, level surface.
7. Do not sit or stand on the partially assembled product; only use the product for which it is intended.

### CARE AND MAINTENANCE









1. Wipe clean with a soft, dry cloth; avoid the use of harsh chemicals or household cleaners as they may damage the exterior finish of the furniture.
2. Hardware may loosen over time. Periodically, check that all connections are tight; re-tighten as necessary.
3. Solid wood is impacted by heat and humidity fluctuations which may cause small joint separations or hairline cracks; place the furniture away from direct sunlight and air conditioning vents, heating vents or units to protect the furniture.

# ASSEMBLY INSTRUCTIONS

## CORNER DESK



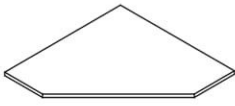
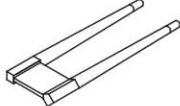








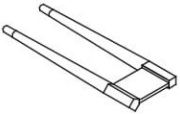
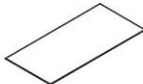
### Hardware List

ITEM	DESCRIPTION	PART	QTY	ITEM	DESCRIPTION	PART	QTY
A	Wood Dowel	 8*30mm	10 pcs	F	Knob Bolt	 4*22mm	1 pc
B	Screw	 4*25mm	10 pcs	G	Knob		1 pc
C	Plastic Drawer Glide		1 pc	H	Allen Wrench		1 pc
D	Flat Washer		18 pcs	I	Screw	 3*12mm	4 pcs
E	Screw	 7*30mm	18 pcs				

# ASSEMBLY INSTRUCTIONS

## CORNER DESK

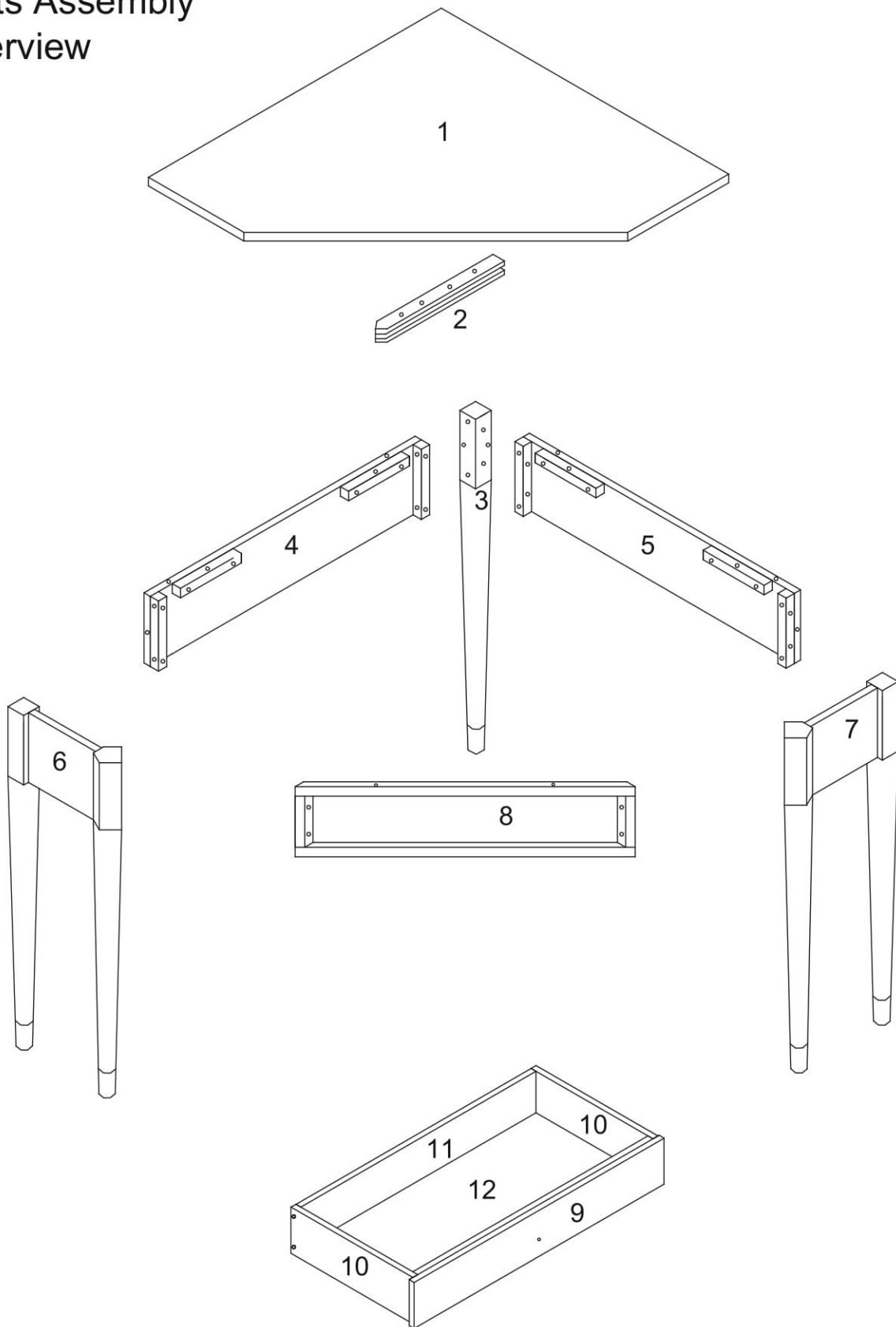
### Parts List

ITEM	DESCRIPTION	PART	QTY	ITEM	DESCRIPTION	PART	QTY
1	Top Panel		1 pc	7	Right Frame		1 pc
2	Wood Drawer Track		1 pc	8	Front Frame		1 pc
3	Leg		1 pc	9	Drawer Front Panel		1 pc
4	Left Apron		1 pc	10	Drawer Side Panel		2 pcs
5	Right Apron		1 pc	11	Drawer Back Panel		1 pc
6	Left Frame		1 pc	12	Drawer Bottom Panel		1 pc

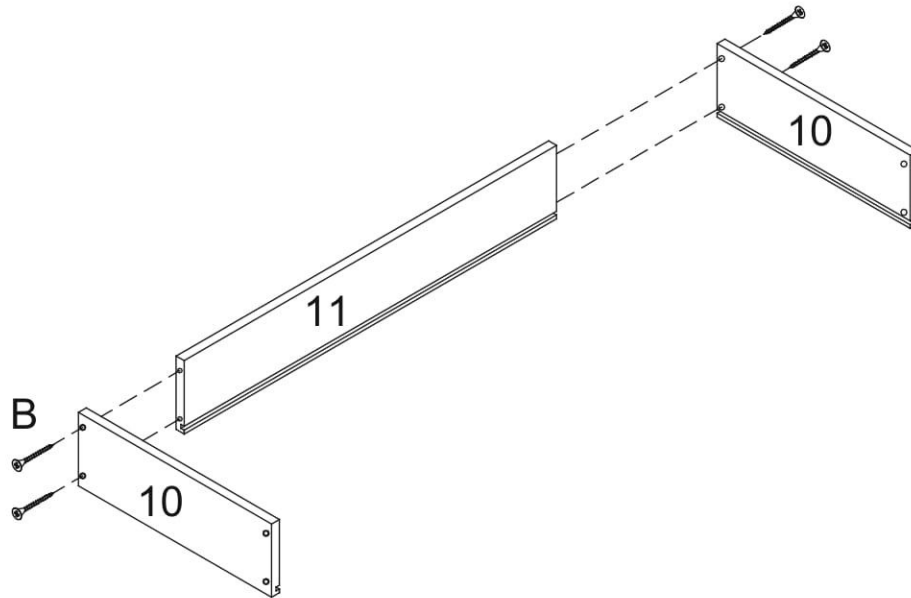
# ASSEMBLY INSTRUCTIONS

## CORNER DESK

### Parts Assembly Overview



## STEP 1



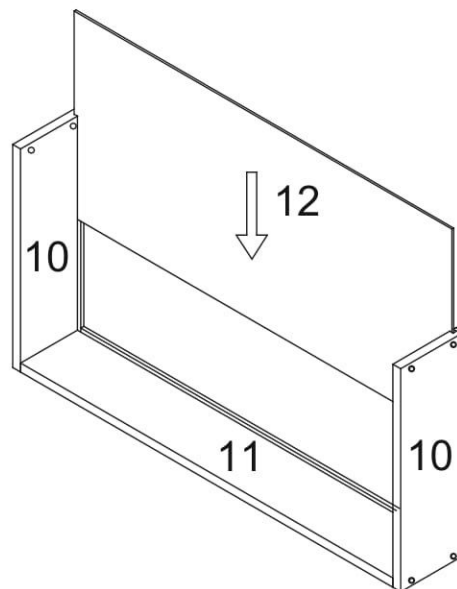
a) Position Drawer Back Panel (11) between Drawer Side Panels (10) as shown.

Note: the groove on each panel has to be aligned.

b) Use Screw (B) to fasten side panels to back panel. Do not tighten screws completely until both screws are in each Side Panel.


---

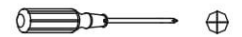
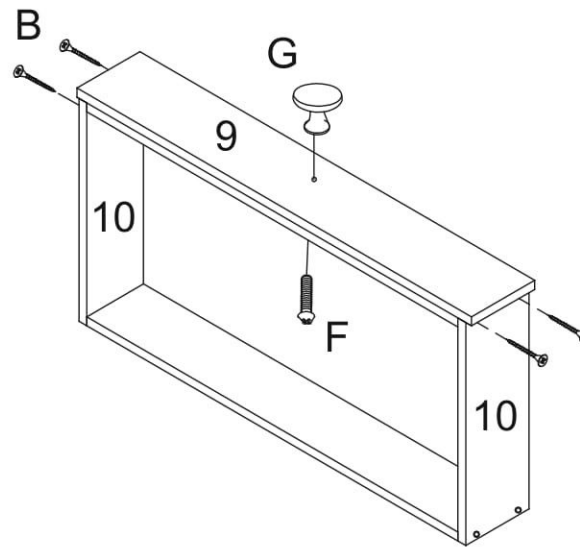
## STEP 2



Fit Drawer Bottom Panel (12) to Drawer Side Panels (10) via groove on (10) panels. Check that the back edge of (12) also fits into the groove on Drawer Back Panel (11).



## STEP 3

B		4 pcs
F		1 pc
G		1 pc



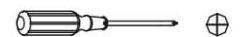
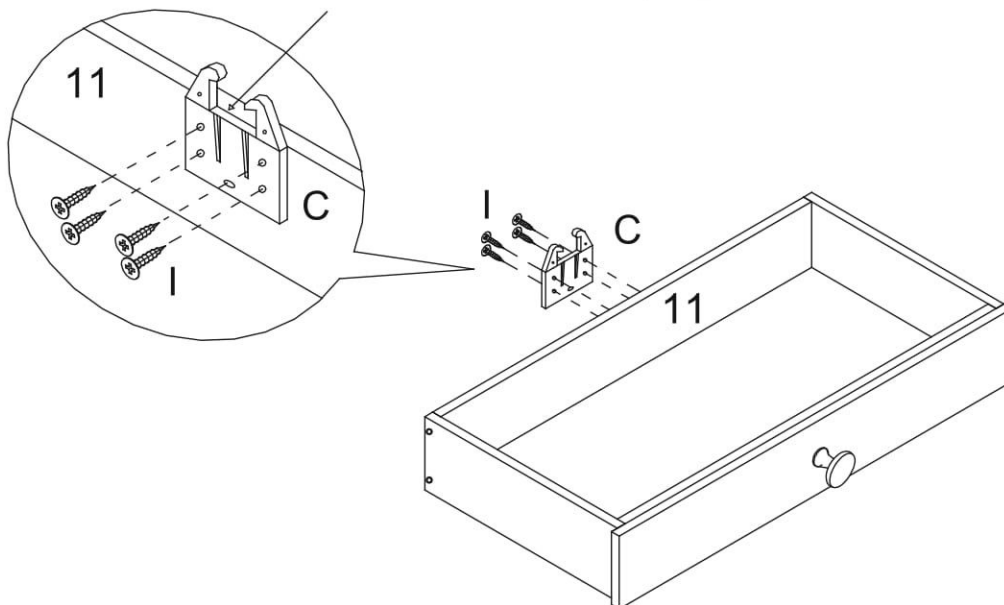
- Attach Drawer Front Panel (9) to Side Panels (10) and Bottom Panel (12) firmly.
- Use Screw (B) to fasten (9) to (10). Do not tighten (B) completely until all screws are in place. Do not over-tighten.
- Attach Knob (G) to Drawer Front Panel with Knob Bolt (F).

## STEP 4

C		1 pc
I		4 pcs





Groove Edge  
Of Plastic Glide

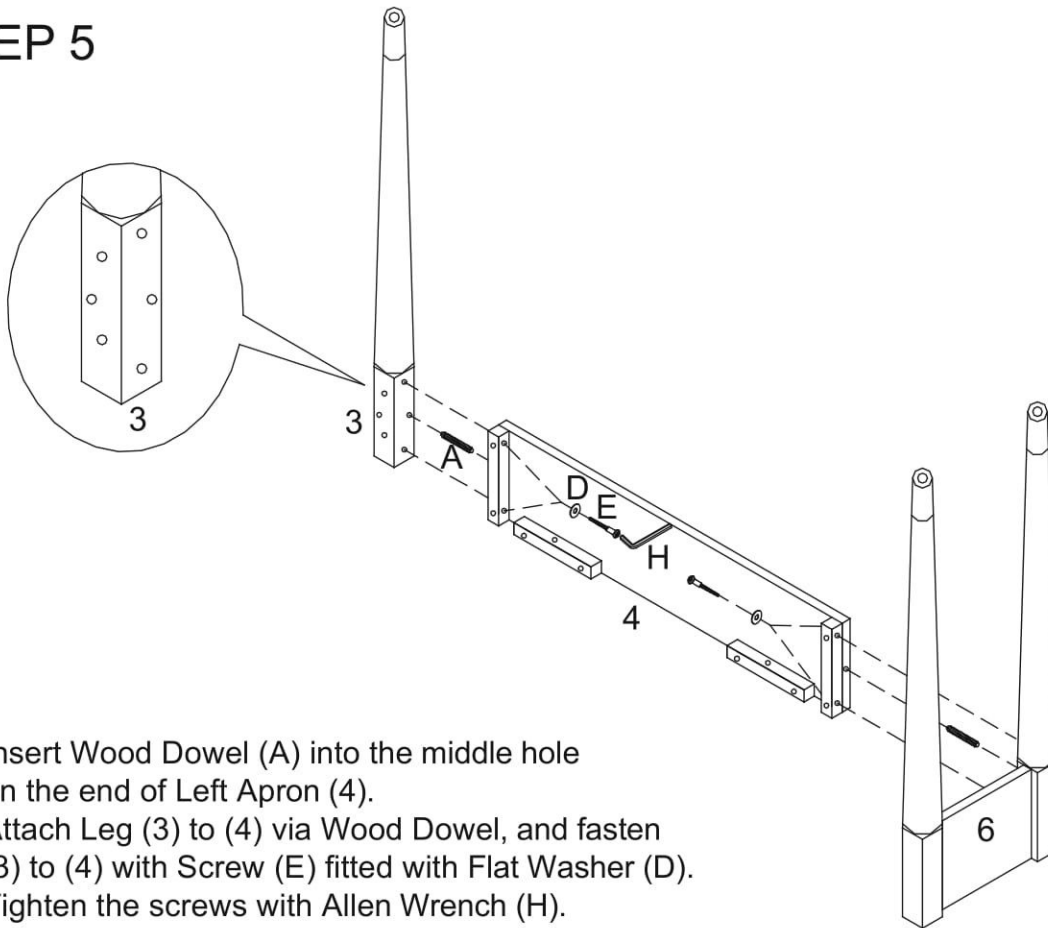
**Important:** Groove edge of Plastic Drawer Glide must level with the top edge of Drawer Back Panel.



Fasten Plastic Drawer Glide (C) to Drawer Back Panel (11) with Screw I.




## STEP 5

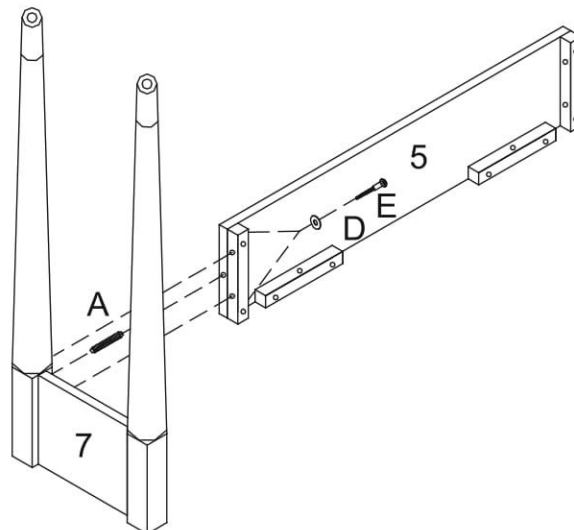
A		2 pcs
D		4 pcs
E		4 pcs
H		1 pc



- Insert Wood Dowel (A) into the middle hole on the end of Left Apron (4).
- Attach Leg (3) to (4) via Wood Dowel, and fasten (3) to (4) with Screw (E) fitted with Flat Washer (D). Tighten the screws with Allen Wrench (H).
- Use the same procedure above to install Left Frame (6) to (4).




## STEP 6

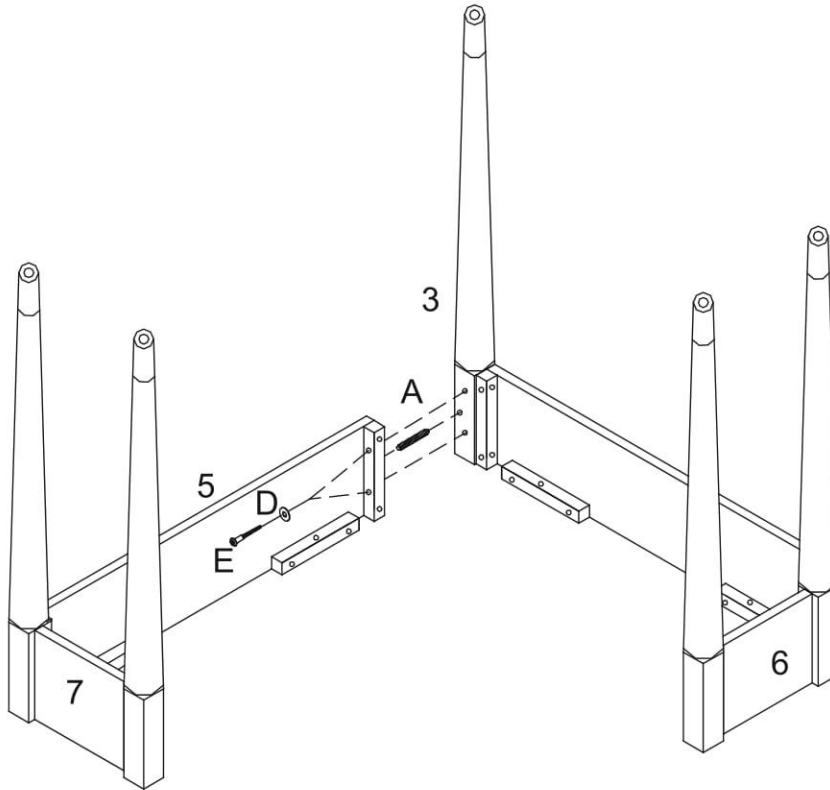
A		1 pc
D		2 pcs
E		2 pcs



- Insert Wood Dowel (A) into the middle hole on end of Right Apron (5).
- Attach Right Frame (7) to (5) via Wood Dowel, and fasten (7) to (5) with Screw (E) fitted with Flat Washer (D). Tighten the screws with (H).



## STEP 7

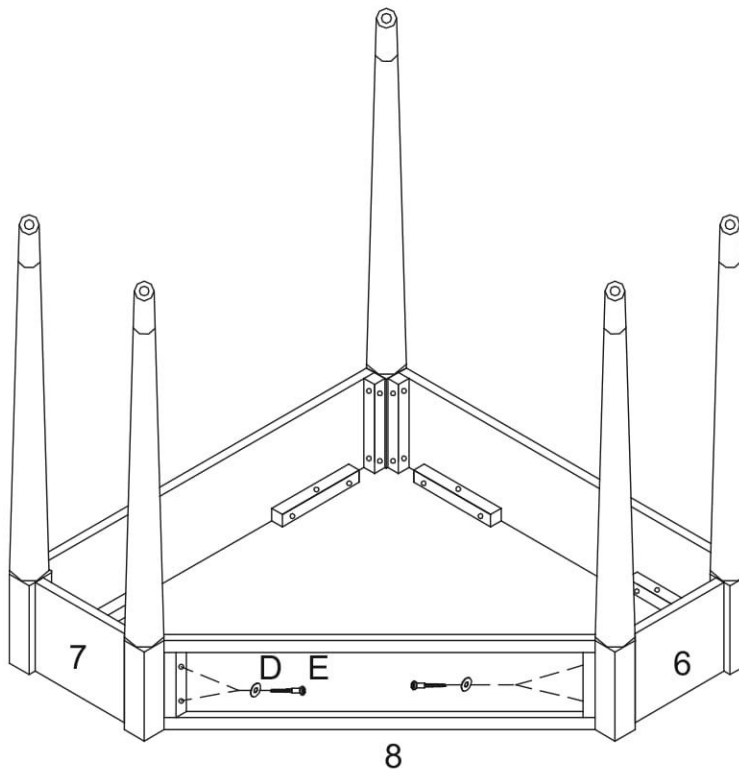
A		1 pc
D		2 pcs
E		2 pcs



- Insert Wood Dowel (A) into the middle hole at the end of Right Apron (5).
- Attach Right Apron (5) to (3) via Wood Dowel, and fasten with Screw (E) fitted with Flat Washer (D). Tighten the screws with Allen Wrench (H).




## STEP 8

E		4 pcs
D		4 pcs

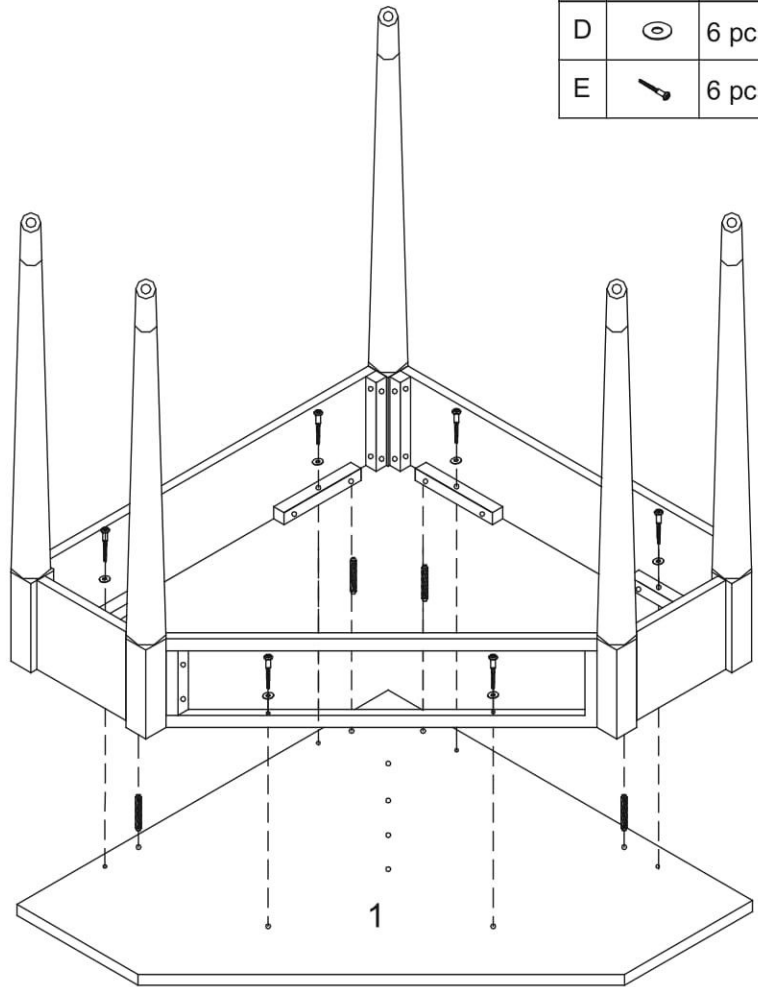


- Position Front Frame (8) between Left and Right Side Frame (6 & 7).
- Use Screw (E) fitted with Flat Washer (D) to fasten (8) to (6 & 7). Tighten the screws with Allen Wrench (H).



## STEP 9


A		4 pcs
D		6 pcs
E		6 pcs

- On a flat surface, place Top Panel (1) bottom-side up on a soft material to prevent scratch and damage.
- Insert Wood Dowel (A) into the designated holes as shown.
- With the help of another person, position and align table frame assembly from STEP 8 to fit into the Wood Dowels on (1).
- Identify the 6 pre-drilled holes locations and use Screw (E) fitted with Flat Washer (D) to fasten leg frame assembly to Top Panel (1).

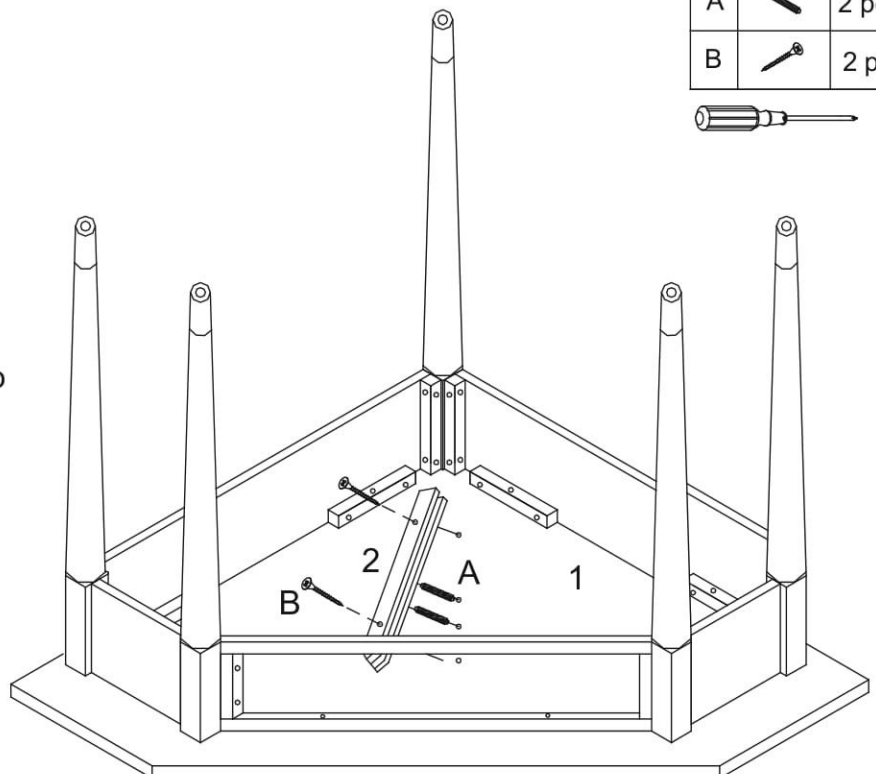


## STEP 10

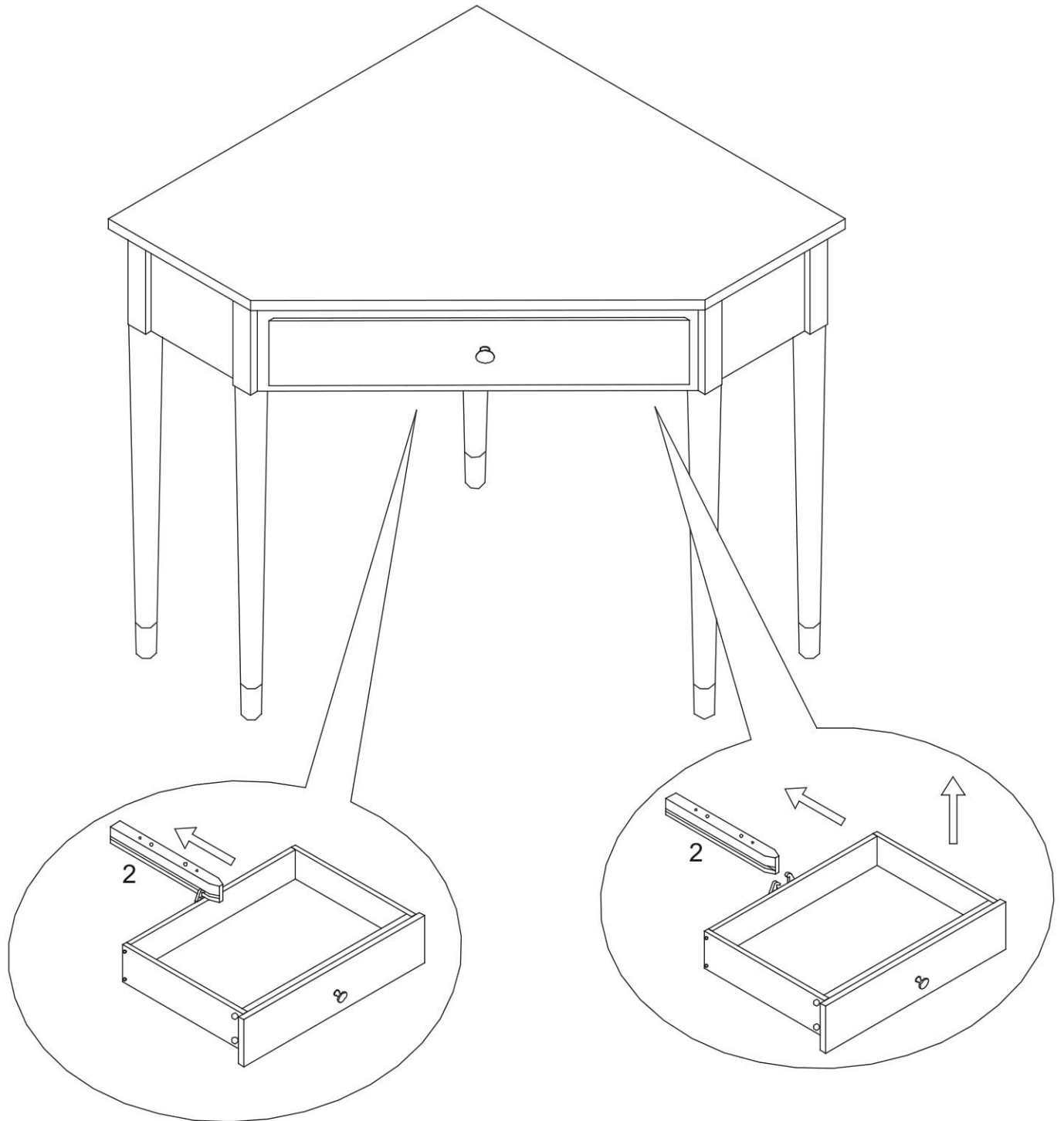
A		2 pcs
B		2 pcs

 ⊕

- Insert Wood Dowel (A) into the designated holes on Top Panel (1) as shown.
- Attach Wood Drawer Track (2) via Wood Dowel and fasten it to (1) by using Screw (B).



# STEP 11



To insert Drawer: Lift the front of drawer slightly to it the Drawer Glide (C) on the drawer back panel into the groove on the Drawer Track (2). Next, level the drawer and gently slide in the drawer.

- a) Set the Corner Desk upright on a flat, stable surface.
- b) Insert the drawer.

The assembly of the desk is complete.