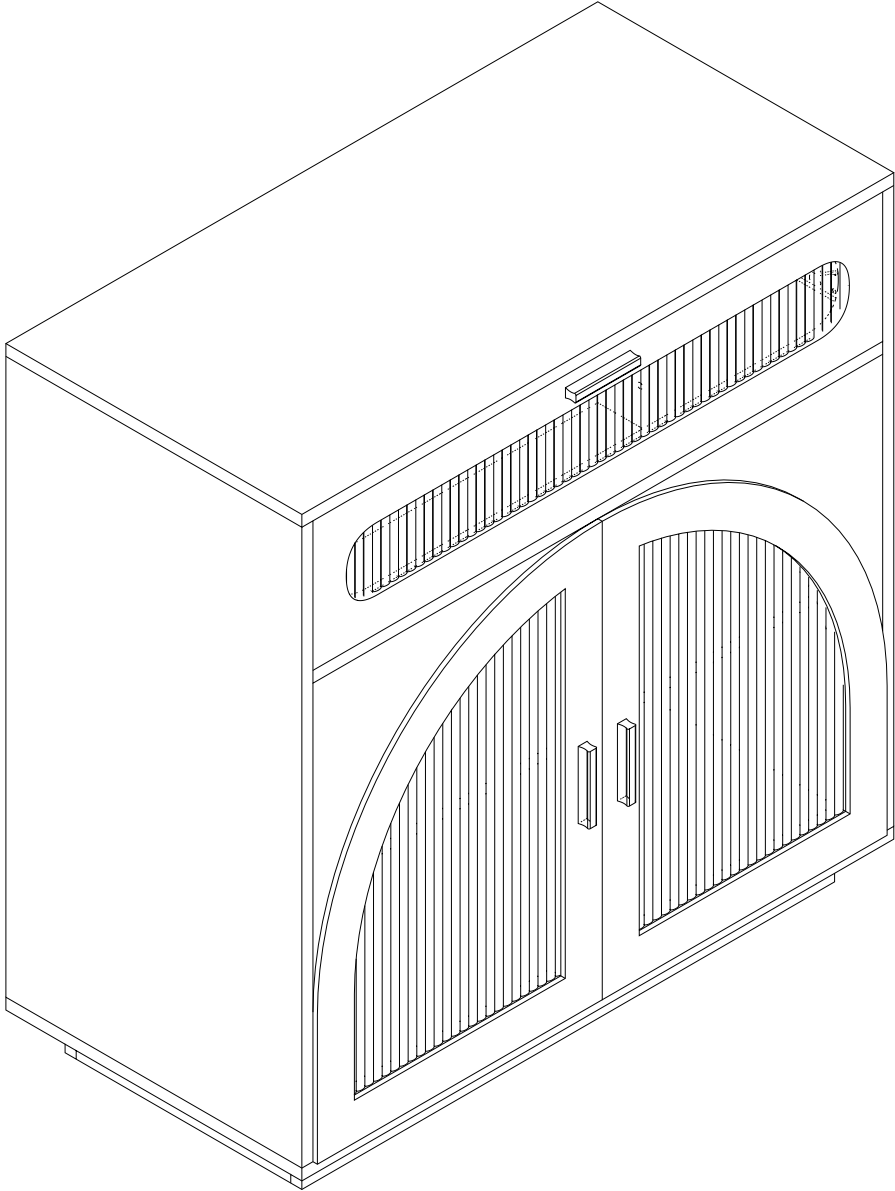


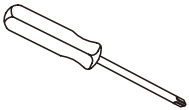
Installation Instruction



Assembling

What you need

- Use the packaging carton as a working surface to prevent product damage during assembly
- Phillips head screwdriver



Weight Limitation



33 | **11**
lbs table top lbs drawer

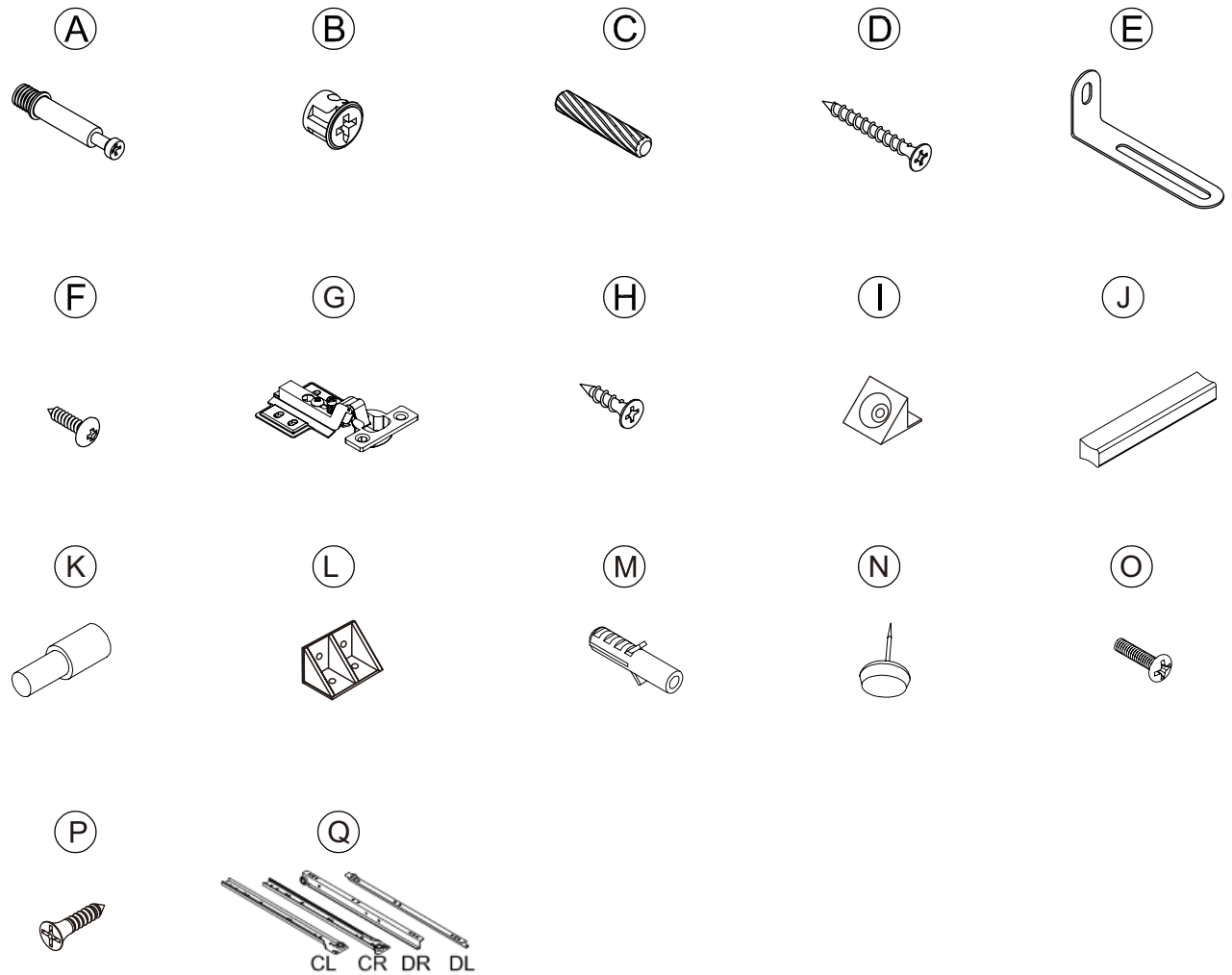


2 PERSONS

What's included

Code	Description	Qty
A	Cam Bolt M6X35MM	25
B	Cam Lock 15X10MM	25
C	Wooden Dowel M6X30MM	22
D	Screw M4X35MM	11
E	Metal Plate	2
F	Screw M4X16MM	2
G	Hinge	4
H	Screw M3.5X12MM	36
I	Plastic Corner Support	8
J	Handle	3
K	Metal Support	4
L	Plastic Door Stop	1
M	Anchor M6X30MM	2
N	Foot Nail	4
O	Bolt M4X18MM	6
P	Screw M3X16MM	8
Q	Slide Sets	1

The Hardwares



IMPORTANT:

1. Do not tighten bolts / screws completely until all bolts / screws are lined up and inserted into holes.
2. Do not over tighten screws and bolts to avoid stripping.
3. Please use hand tools to assemble this product. Do not use power tools.
4. Must need 2 people to assemble this product.

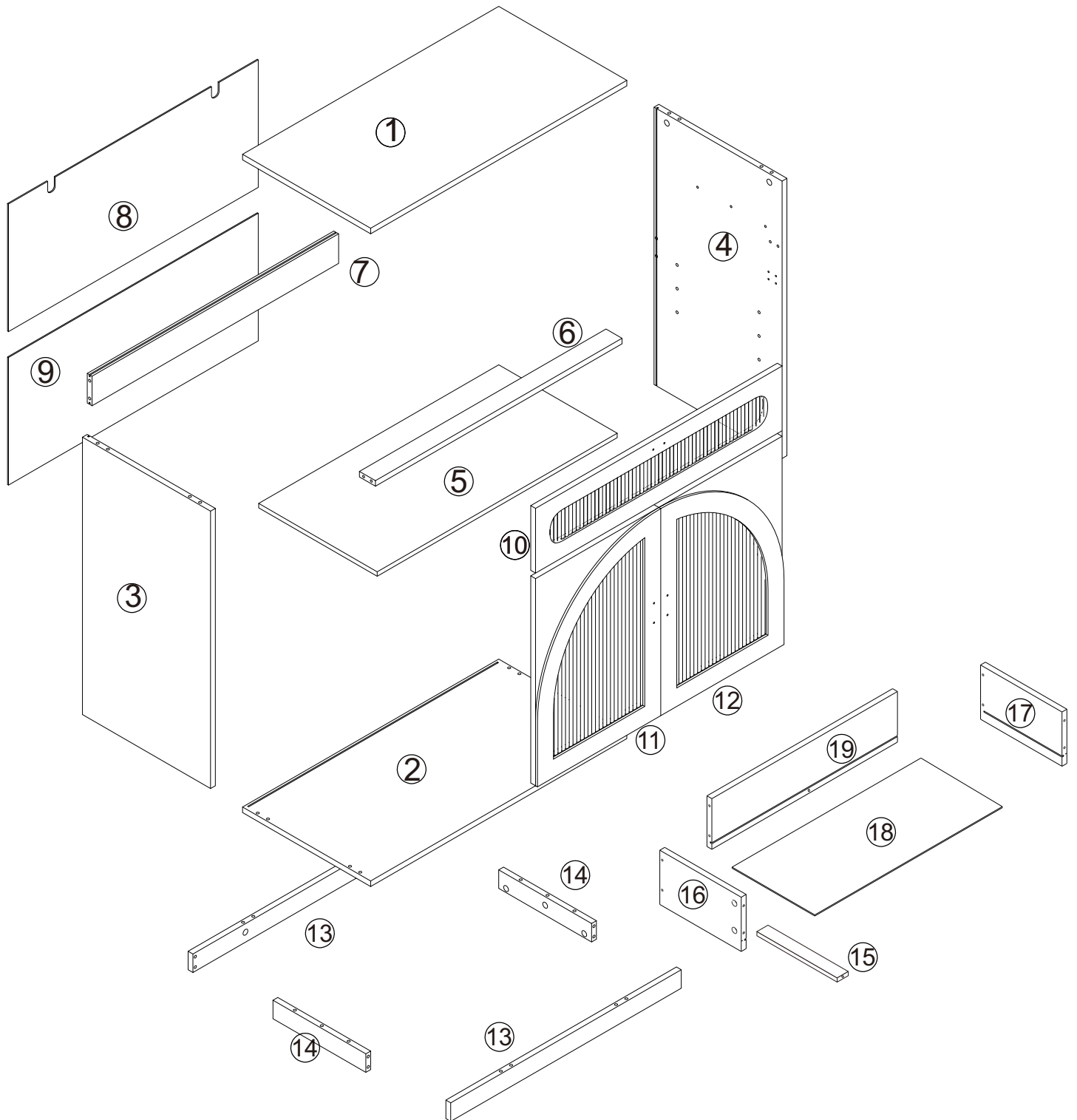


2 PERSONS

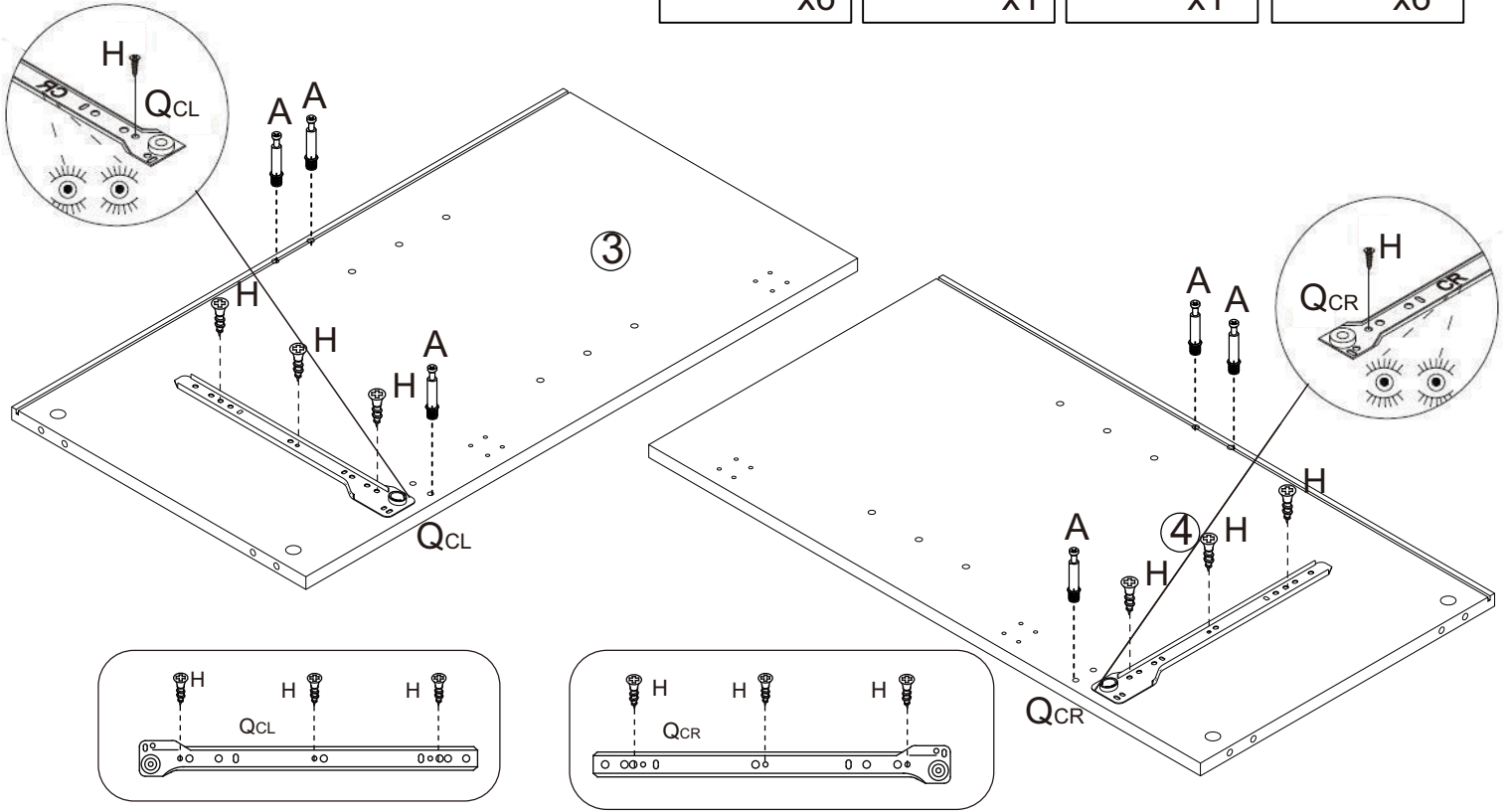
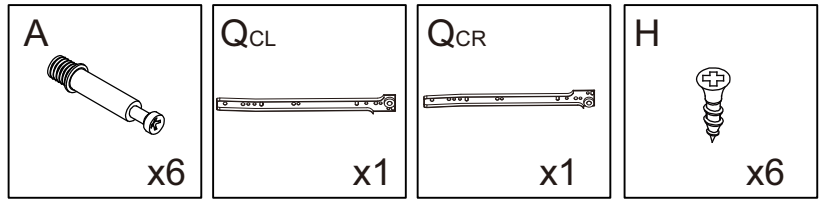
Included Accessories

Code	Description	Qty
1	Cabinet Top	1
2	Lower Bottom Panel	1
3	Left Side Panel	1
4	Right Side Panel	1
5	Shelf	1
6	Top Support Bar	1
7	Back Support Bar	1
8	Top Back Panel	1
9	Lower Back Panel	1
10	Drawer Front Panel	1
11	Left Door	1
12	Right Door	1
13	Bottom Long Panel	2
14	Bottom Short Panel	2
15	Drawer Support Panel	1
16	Drawer Left Side Panel	1
17	Drawer Right Side Panel	1
18	Drawer Bottom Panel	1
19	Drawer Back Panel	1

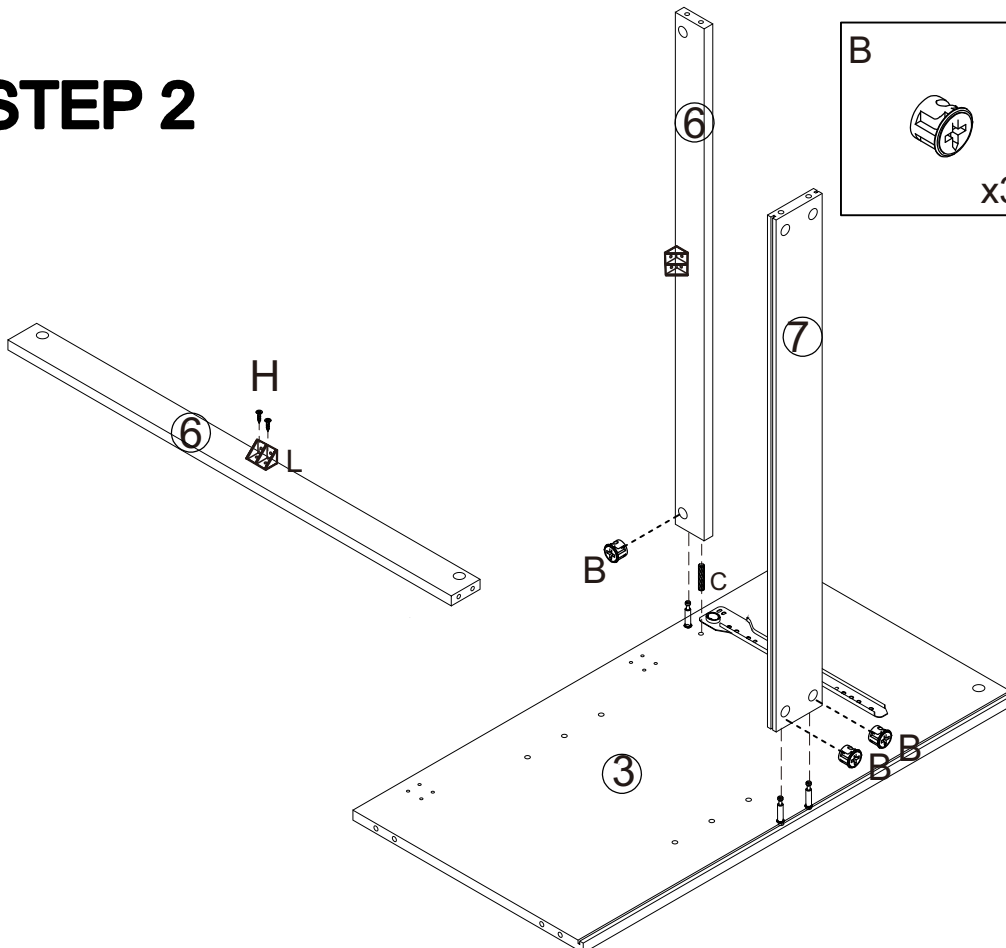
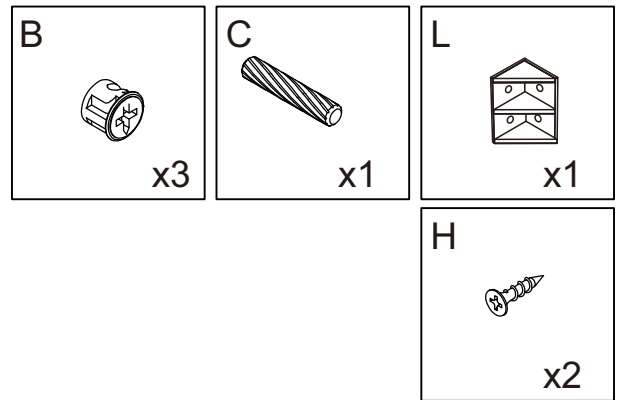
The Accessories



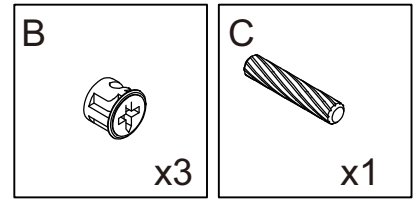
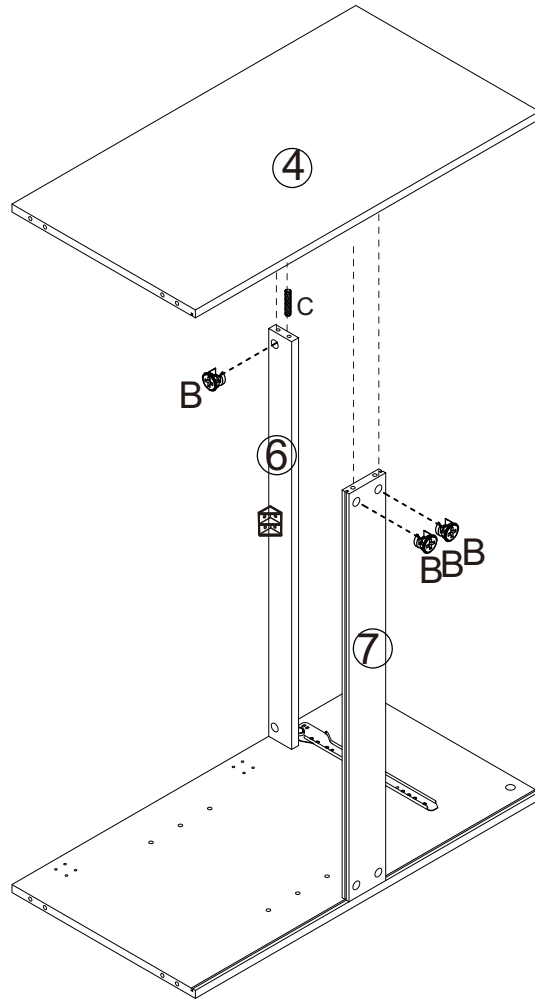
STEP 1



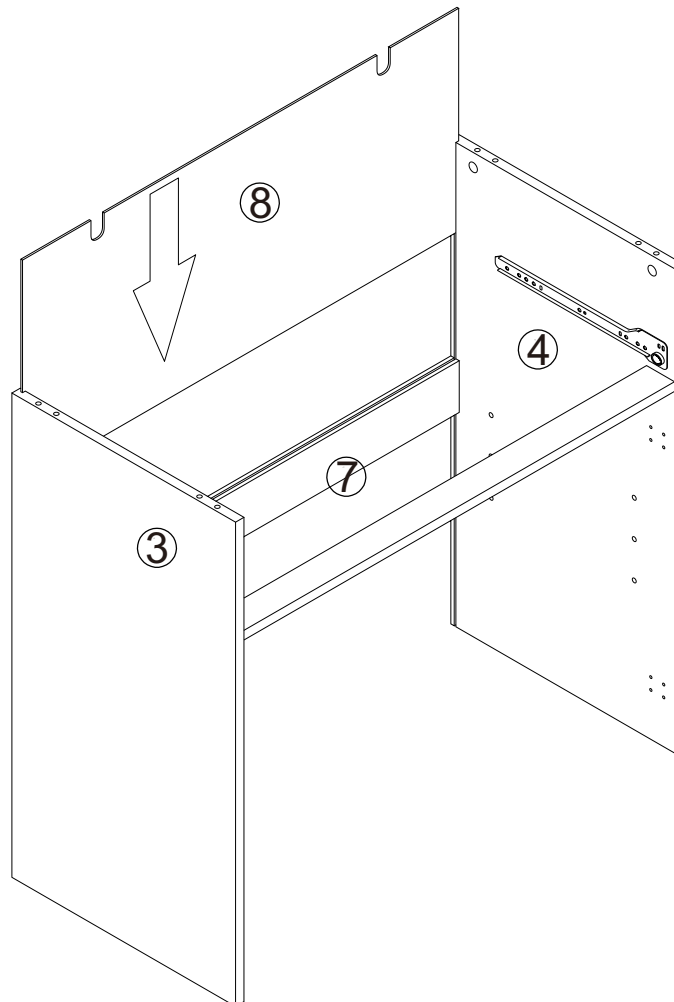
STEP 2



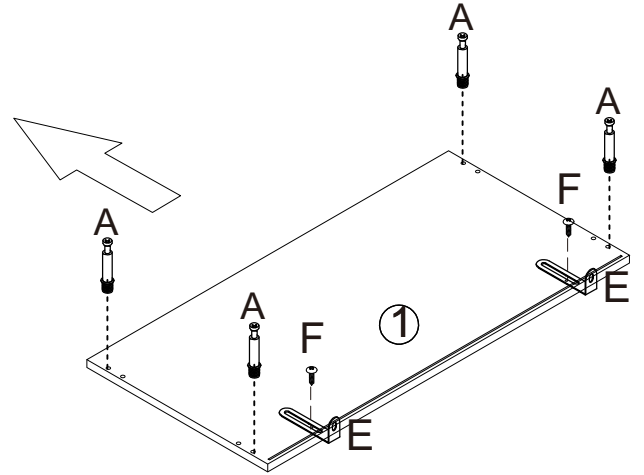
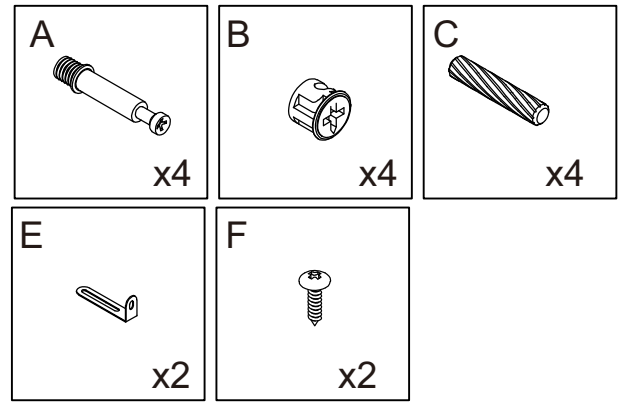
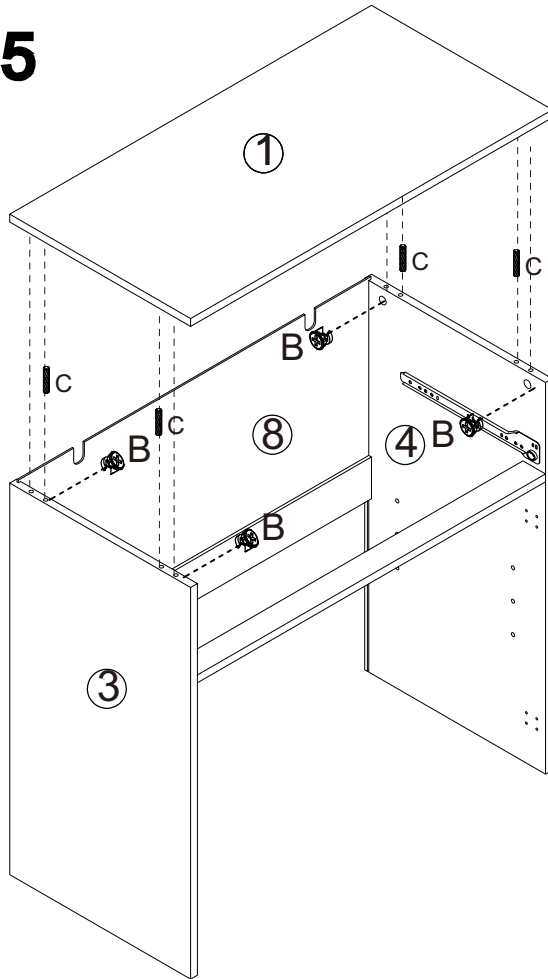
STEP 3



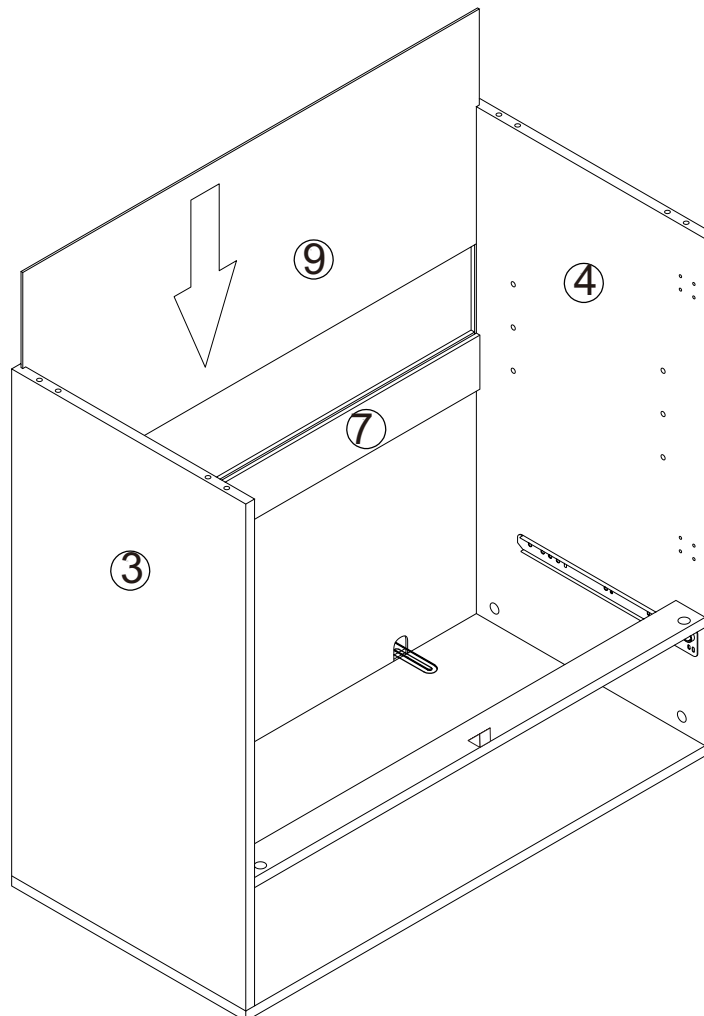
STEP 4



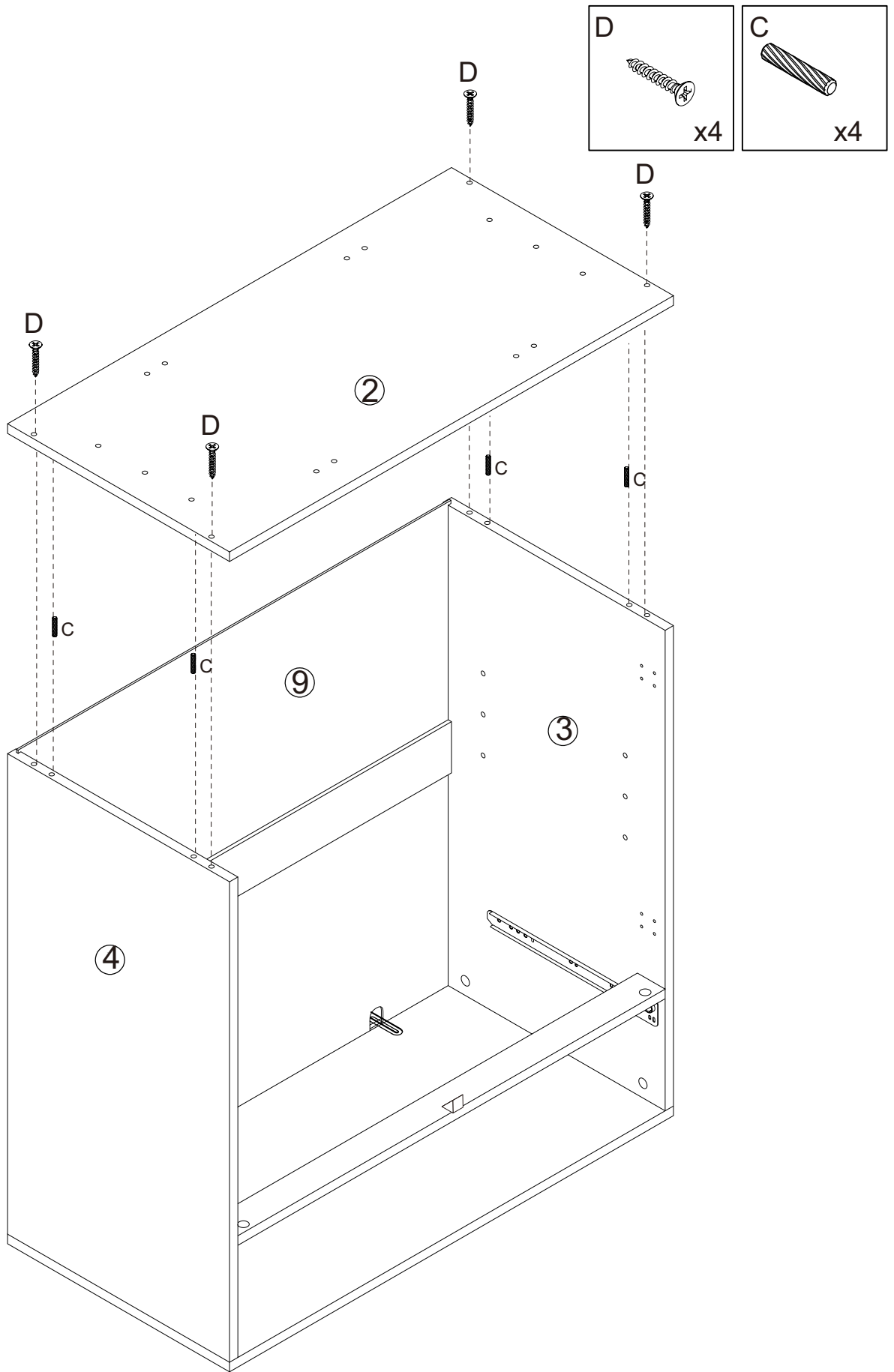
STEP 5



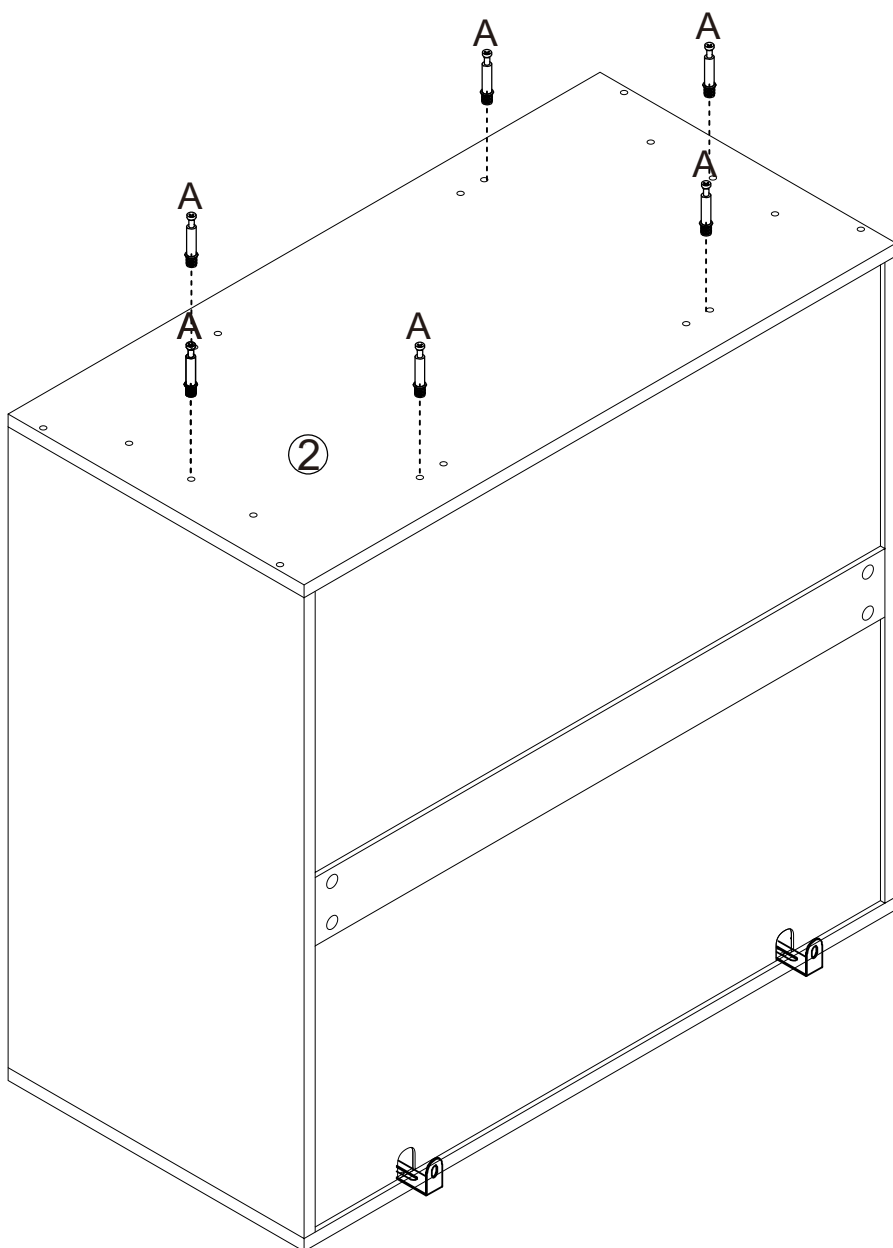
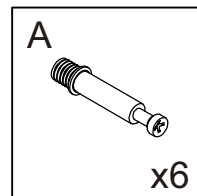
STEP 6



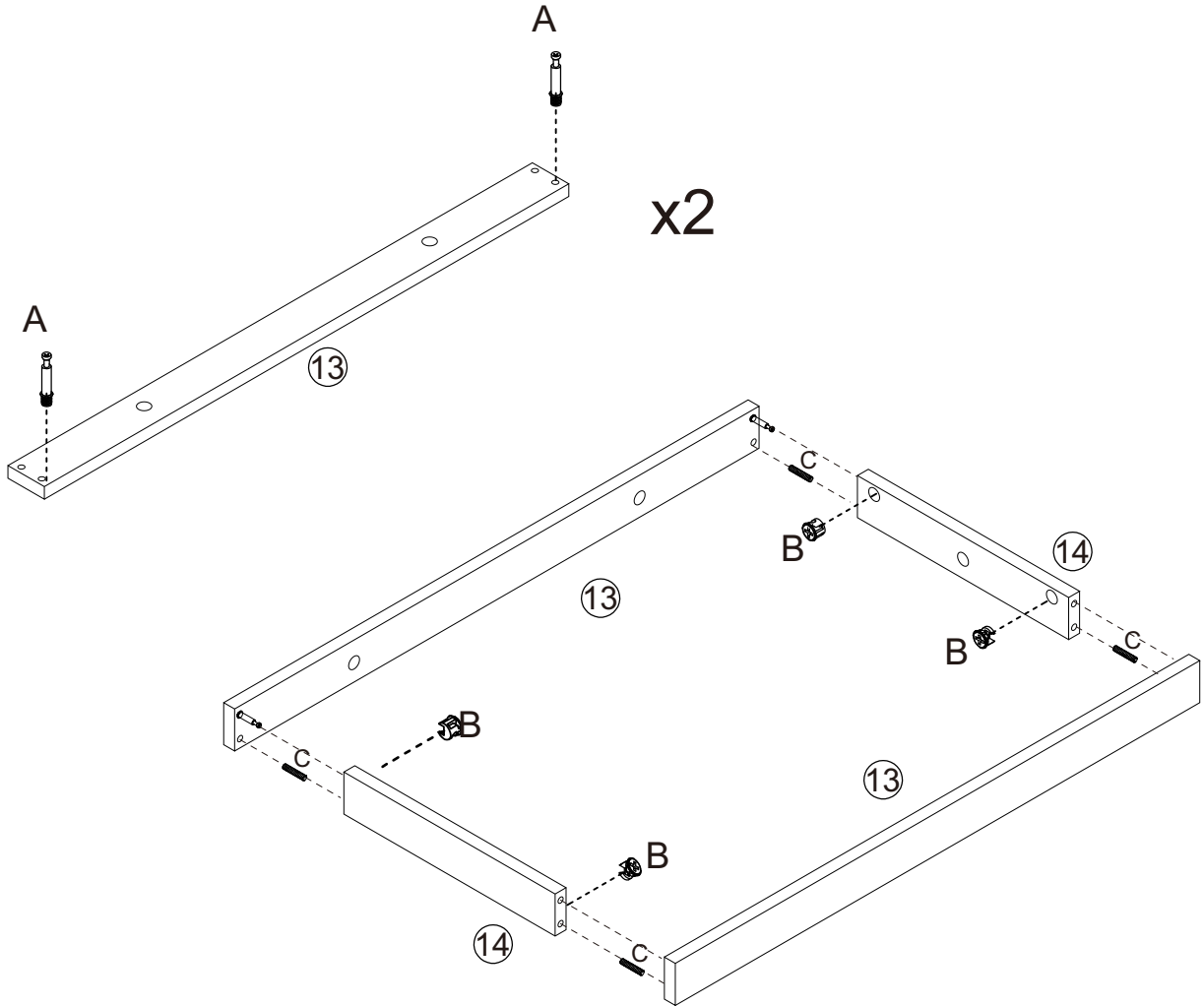
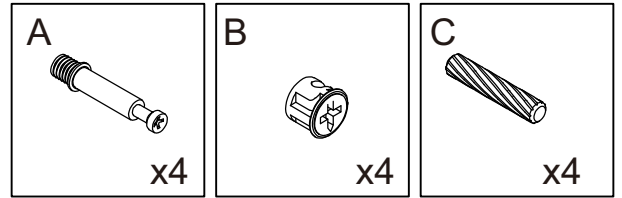
STEP 7



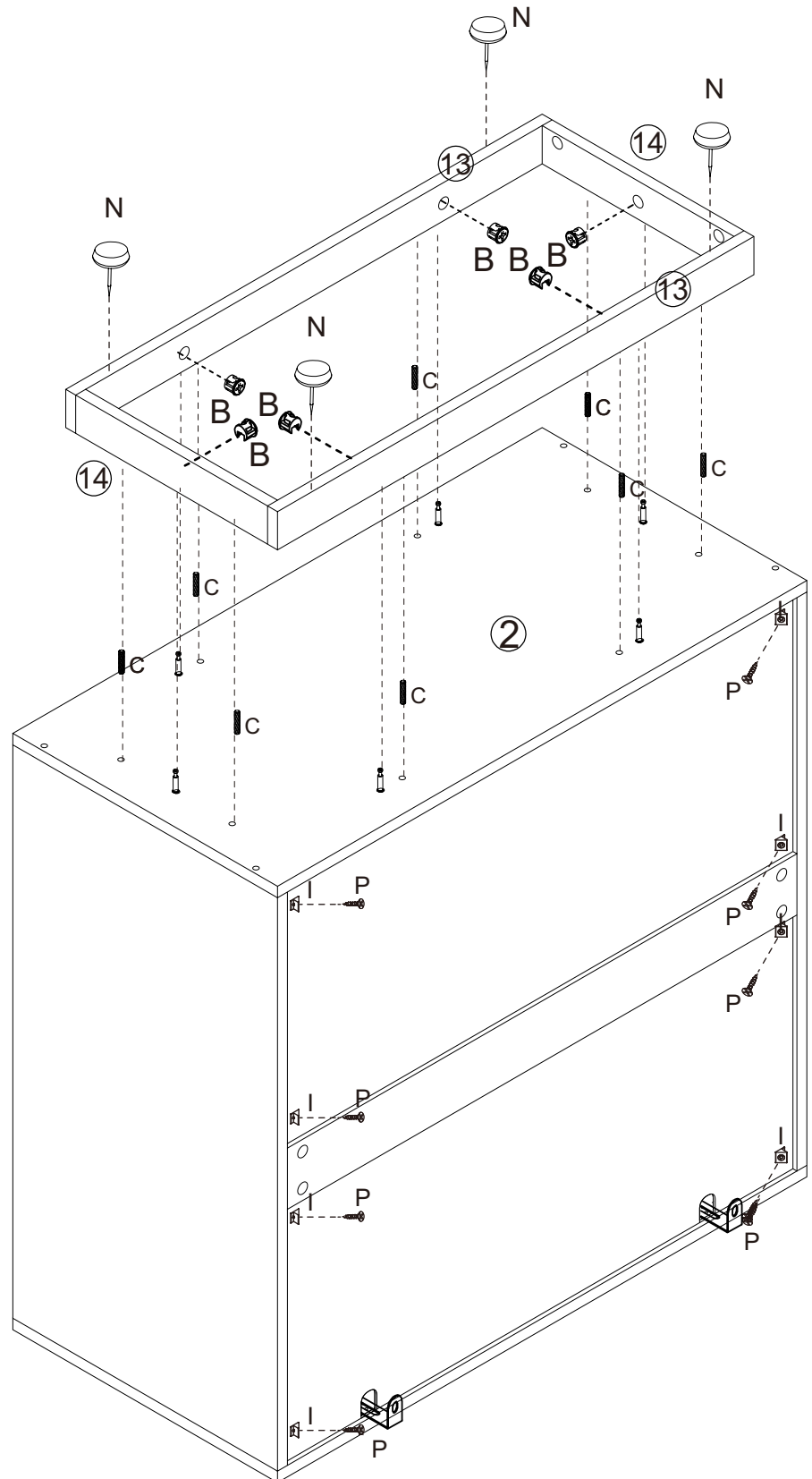
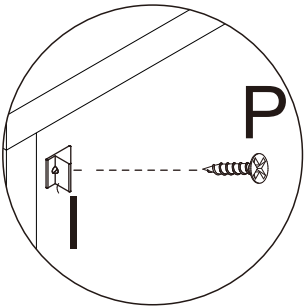
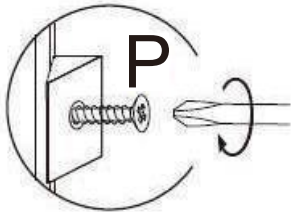
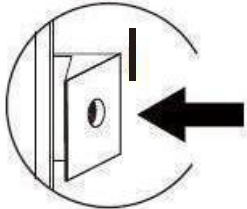
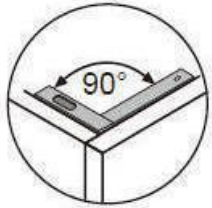
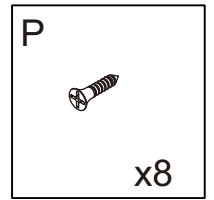
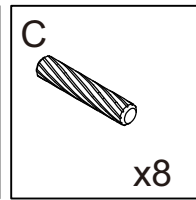
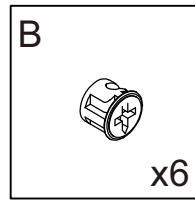
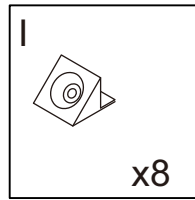
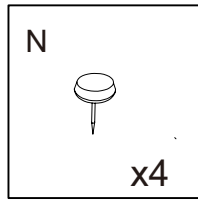
STEP 8



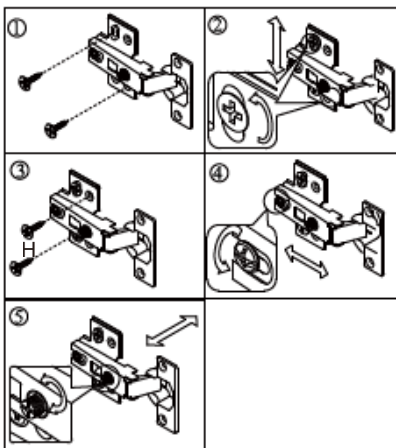
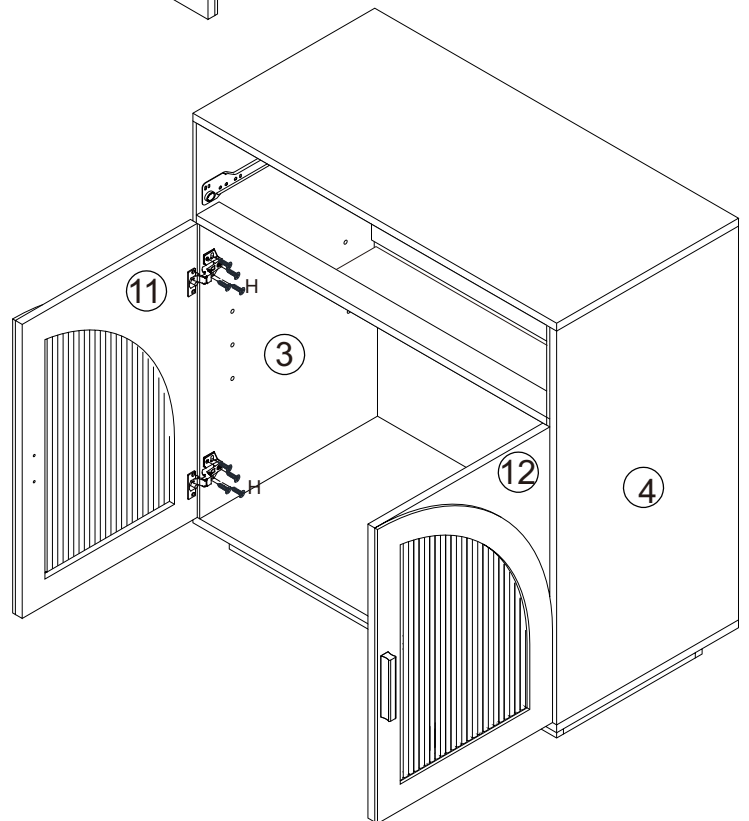
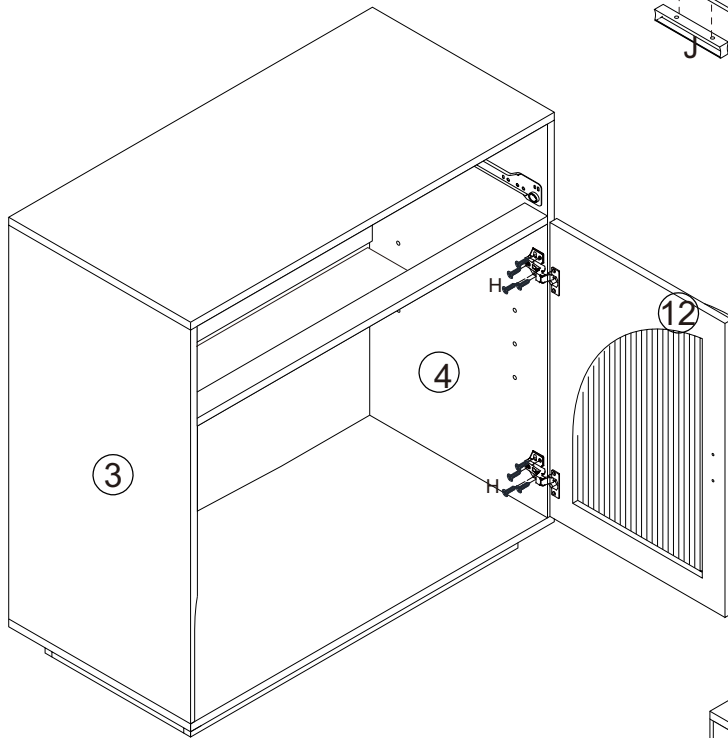
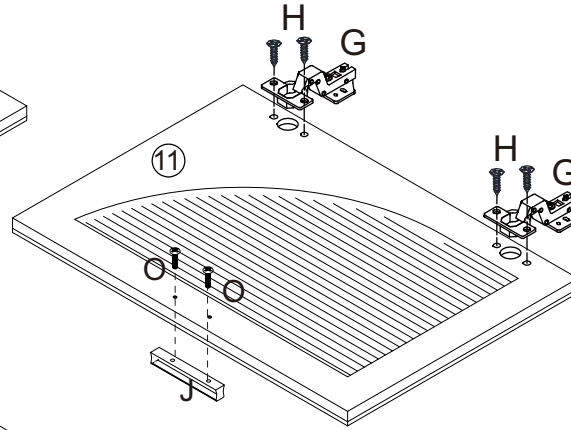
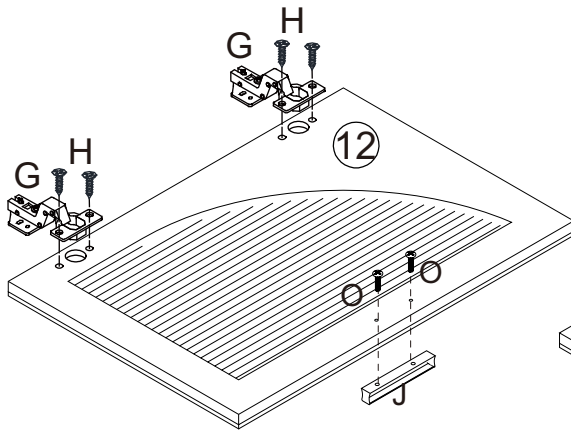
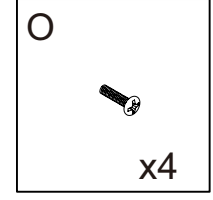
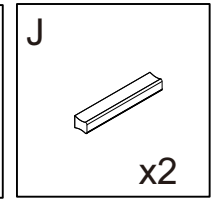
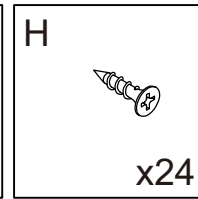
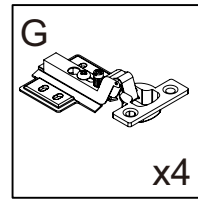
STEP 9



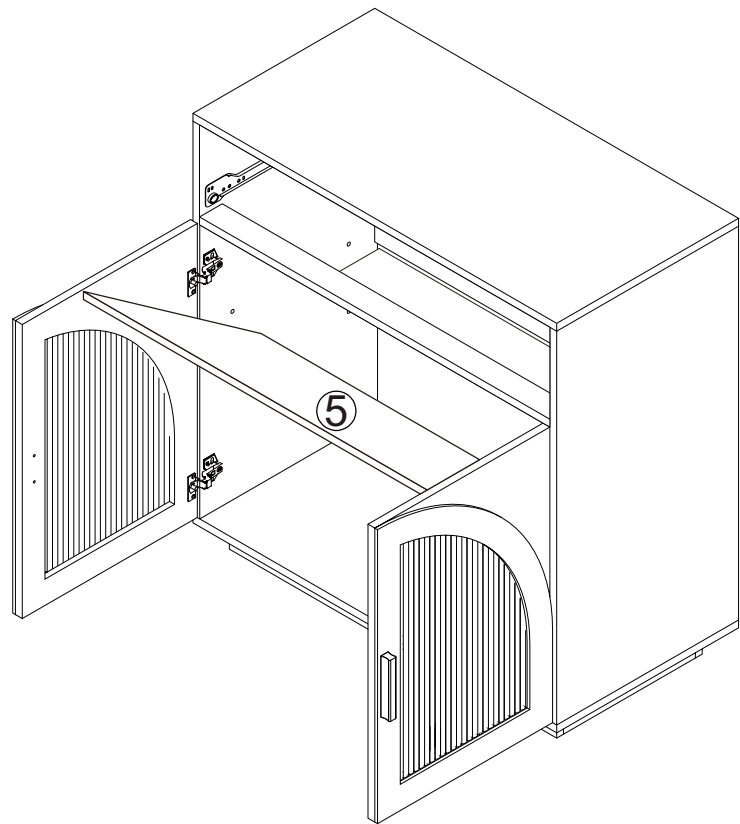
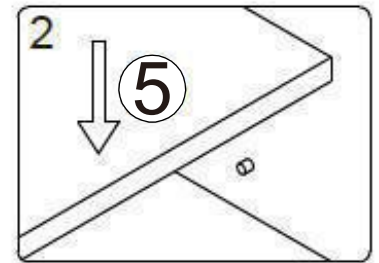
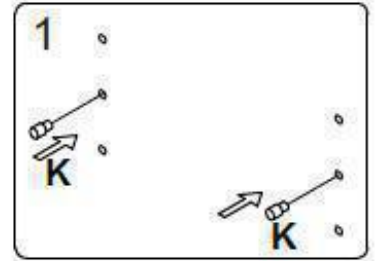
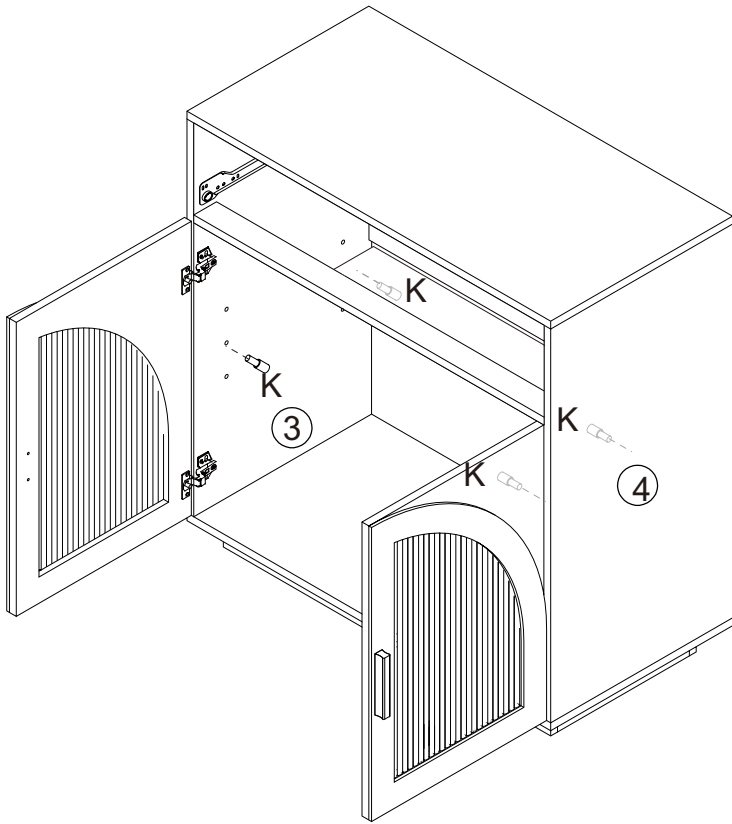
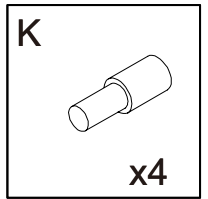
STEP 10



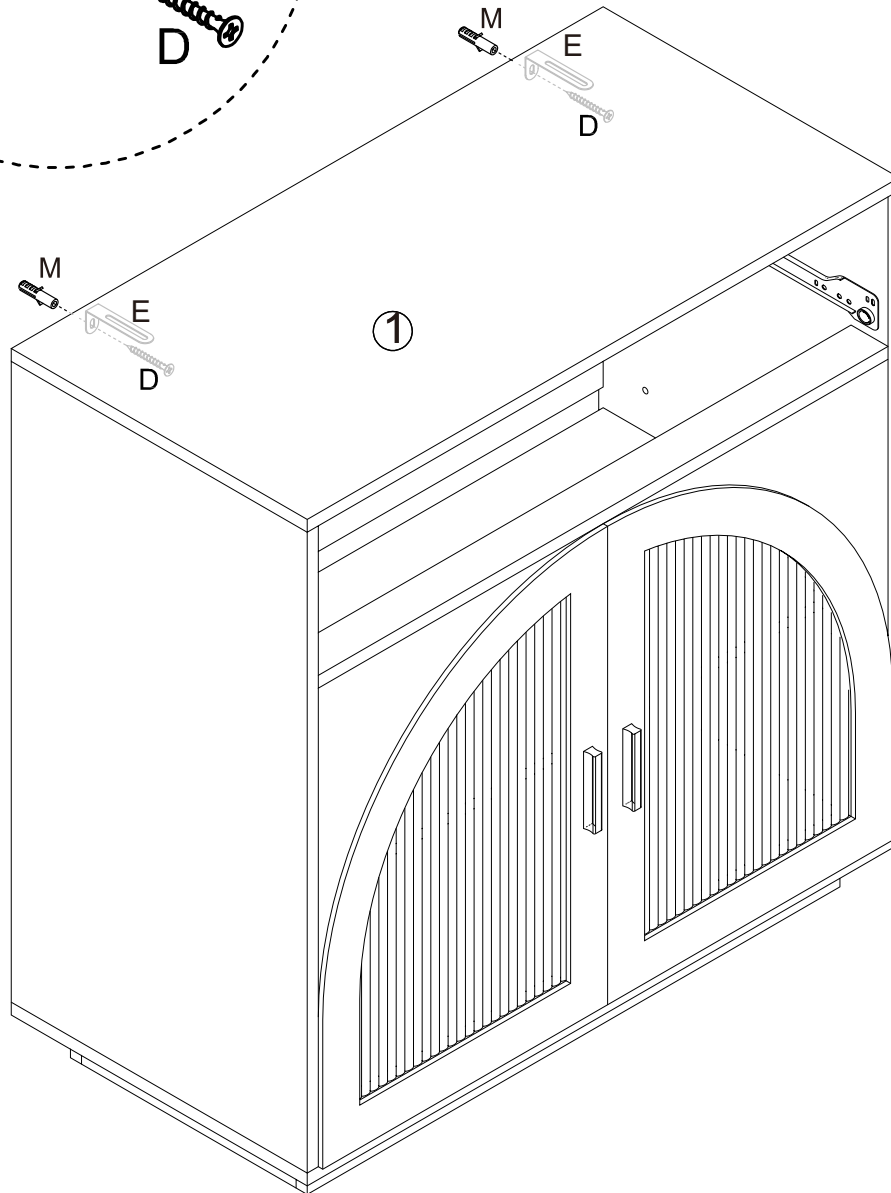
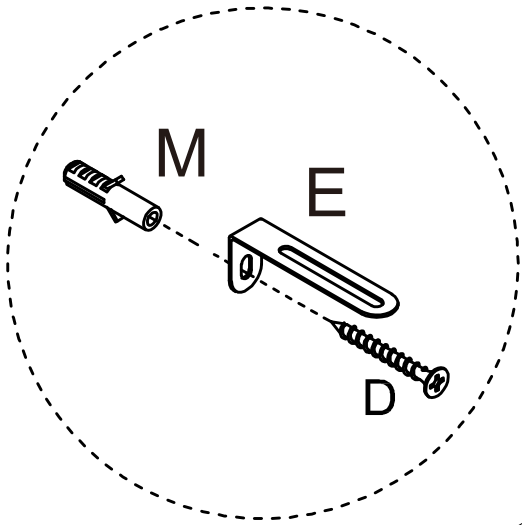
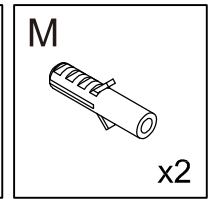
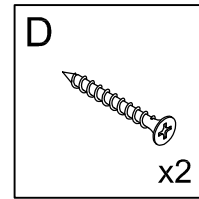
STEP 11



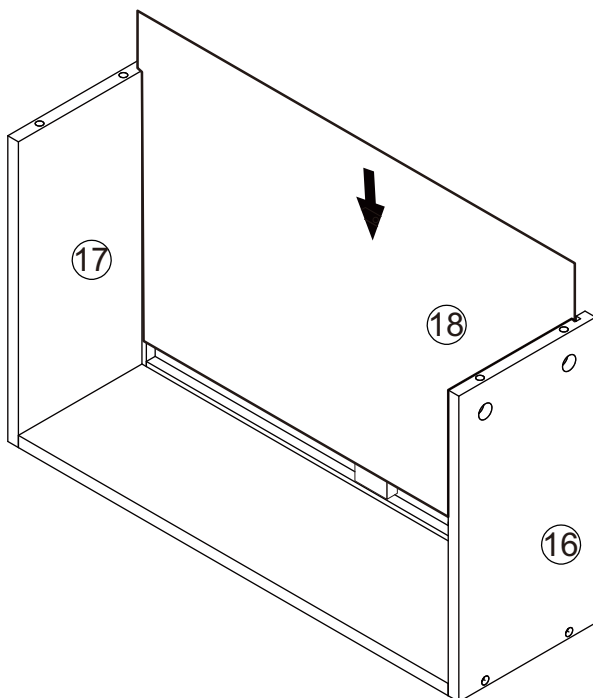
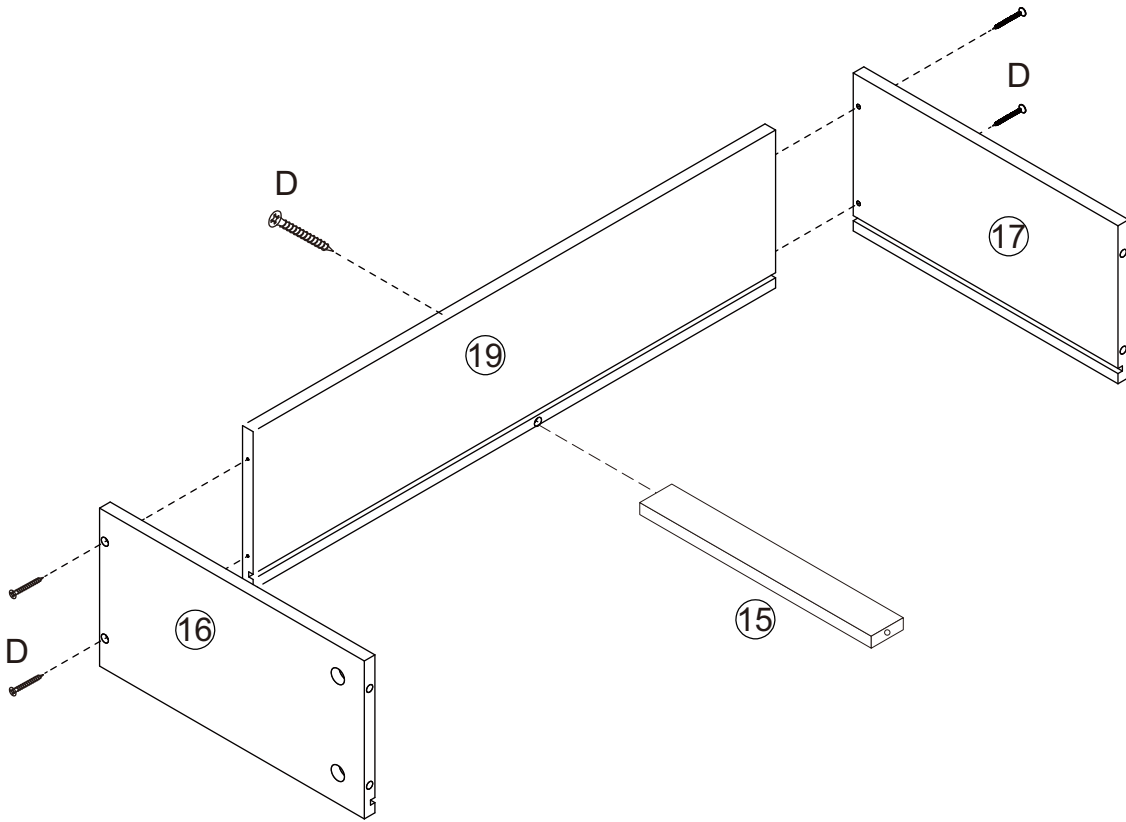
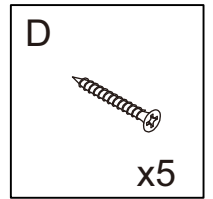
STEP 12



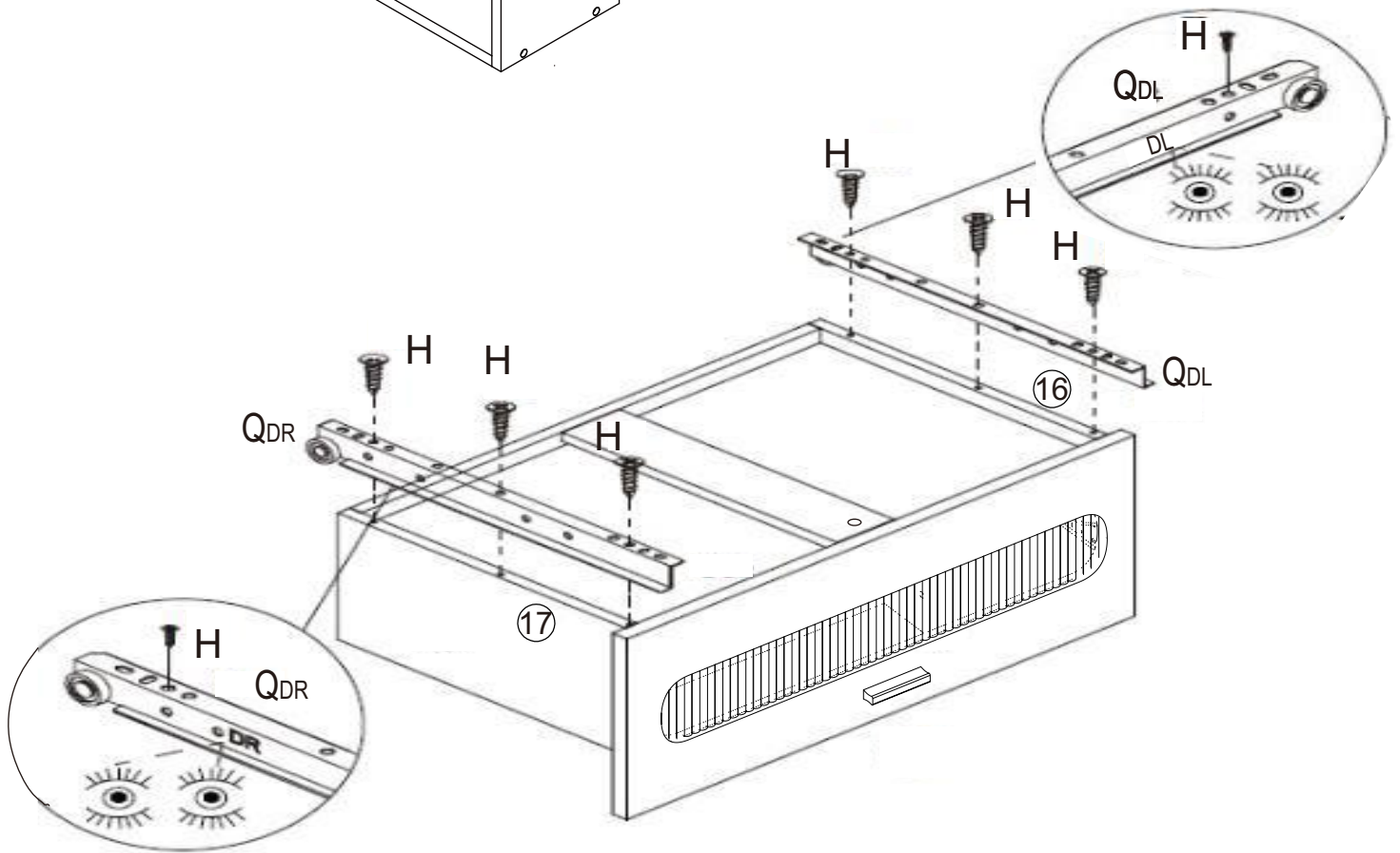
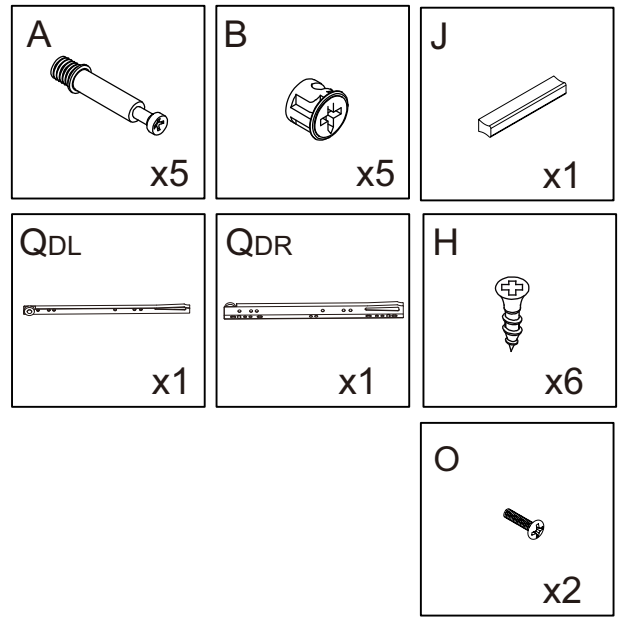
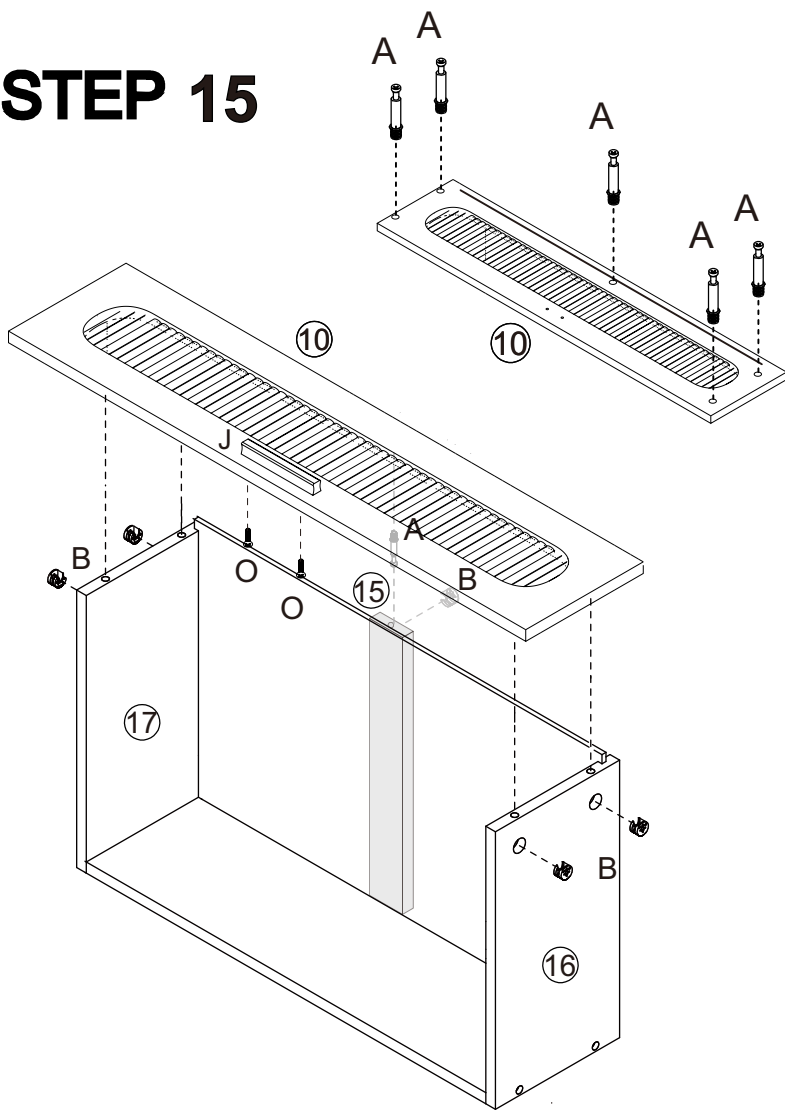
STEP 13



STEP 14



STEP 15



STEP 16

