

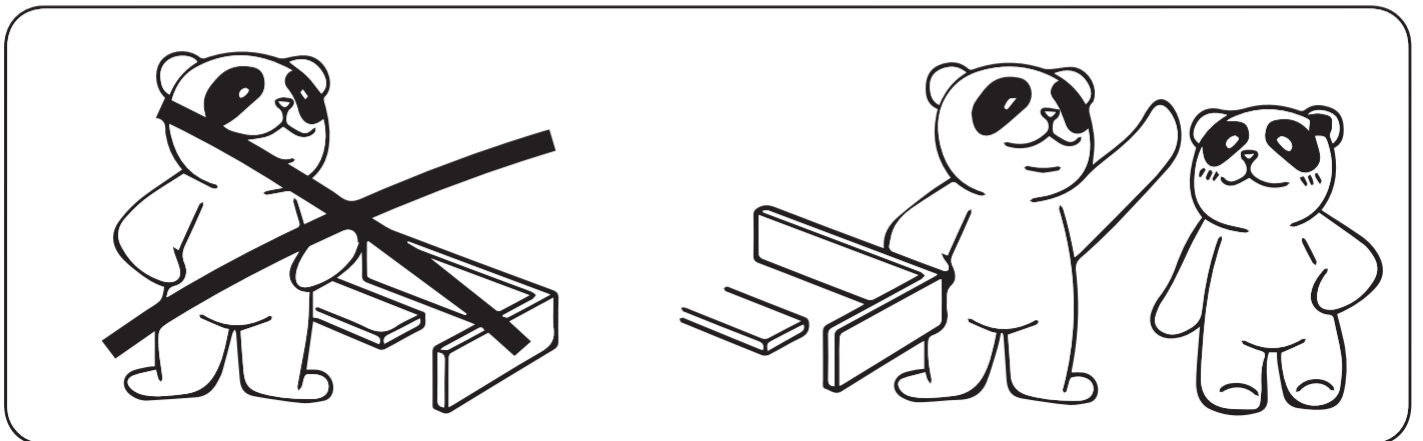
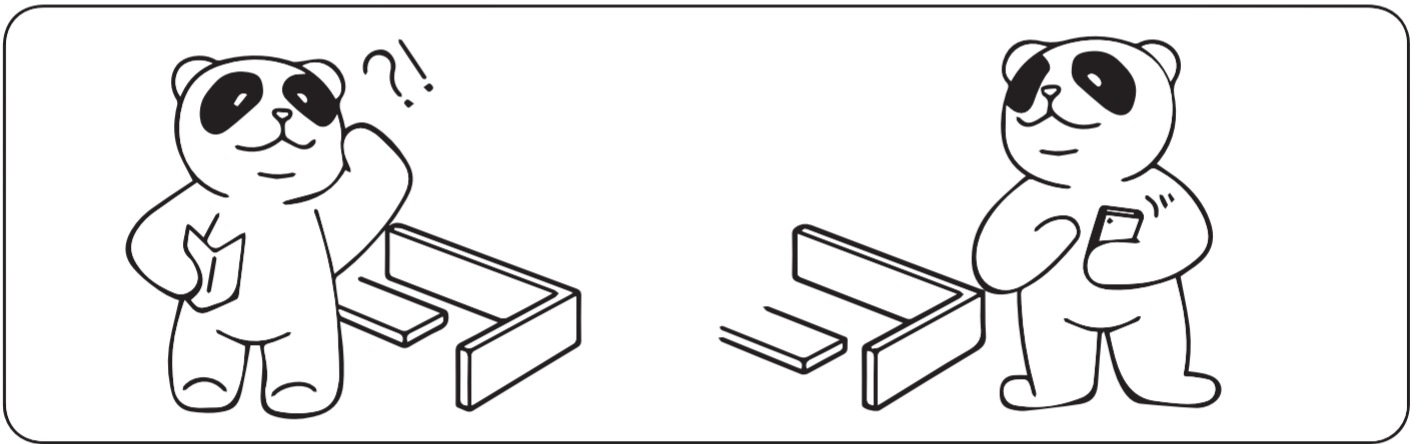
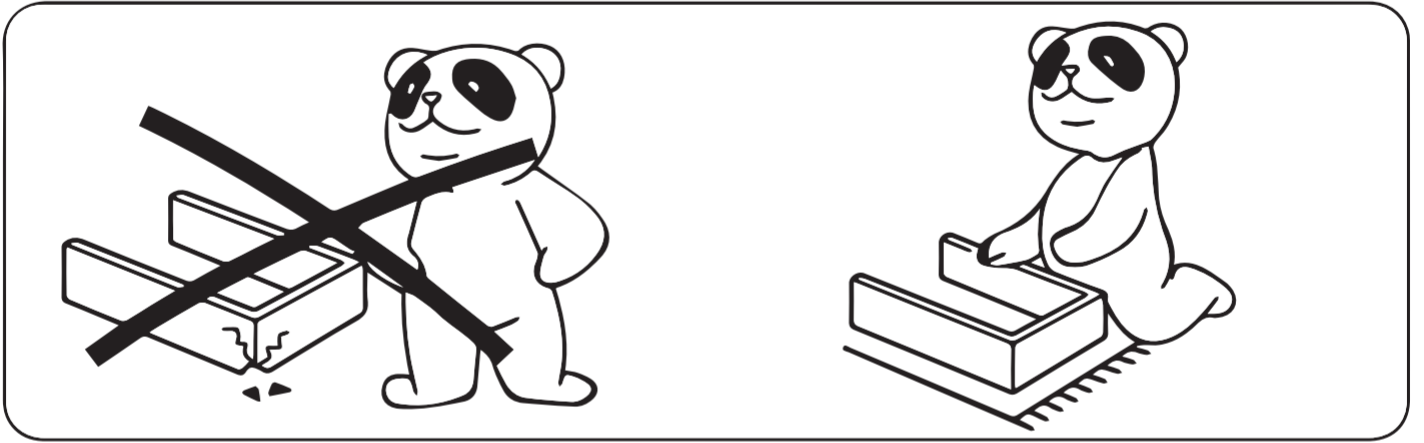
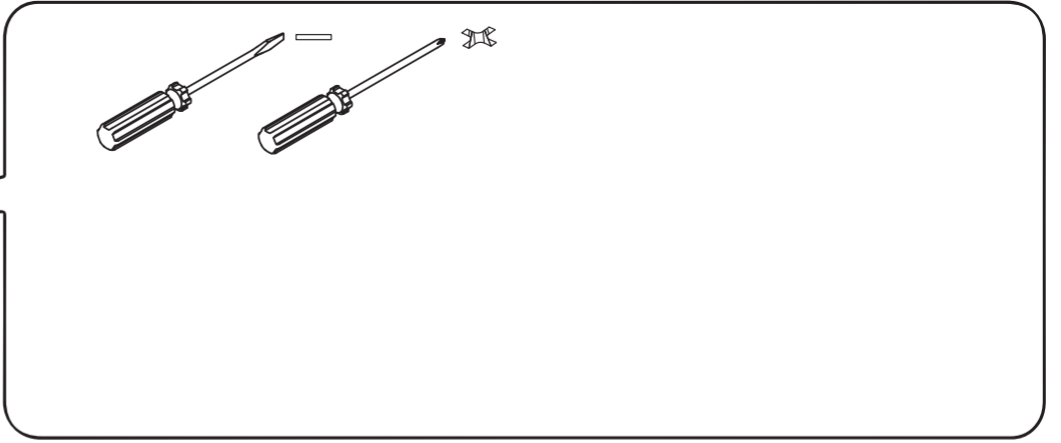
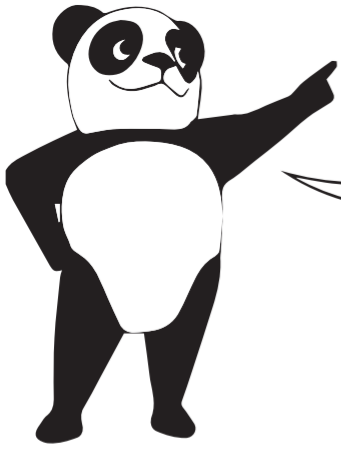


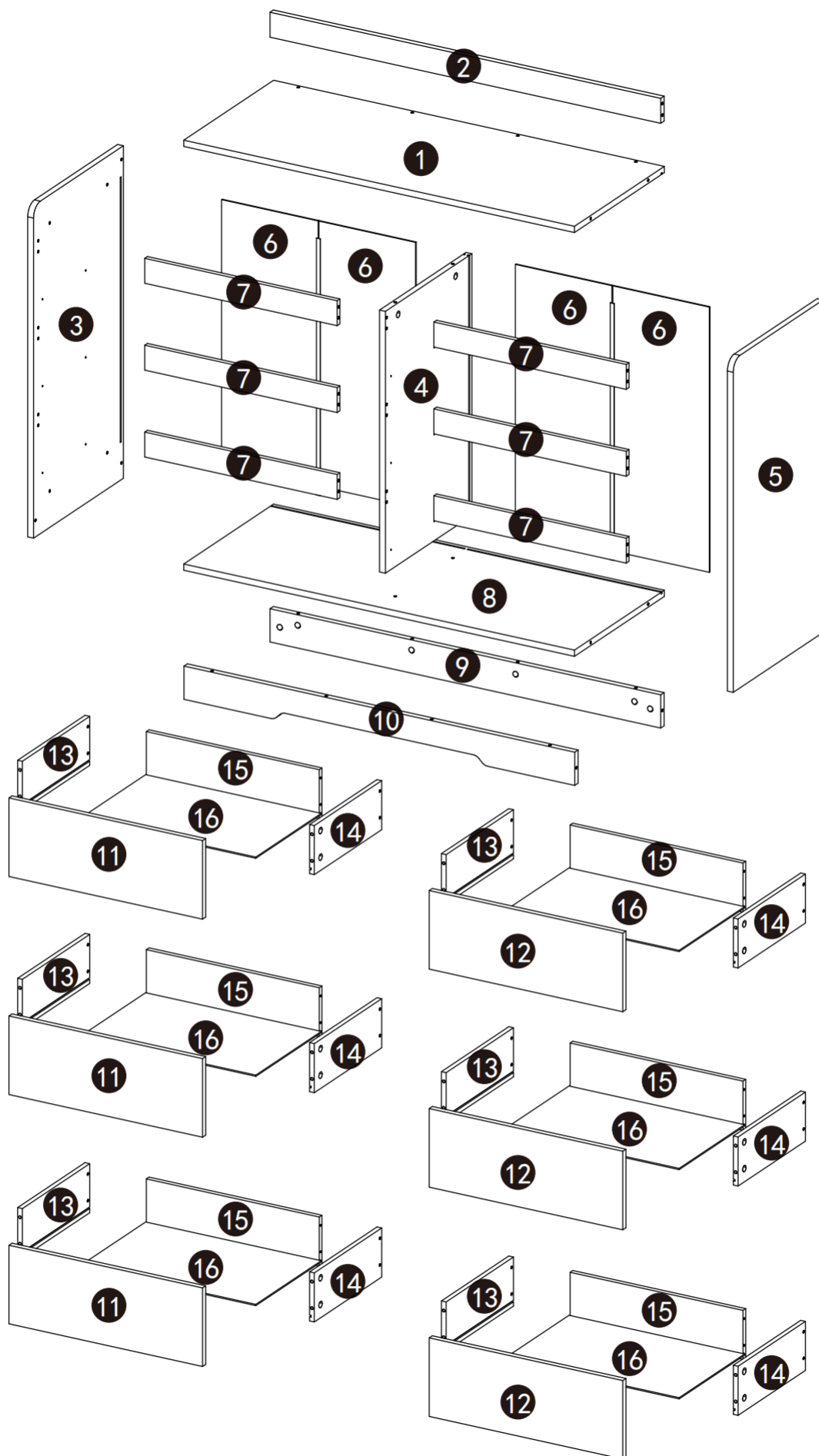
KCGO4

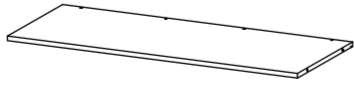

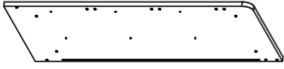
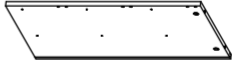

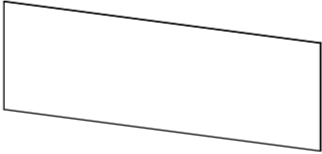




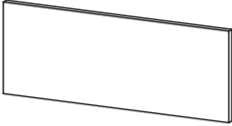

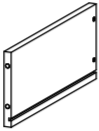
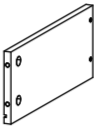


Instruction Manual



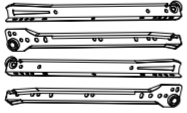
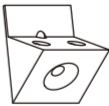
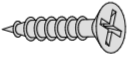
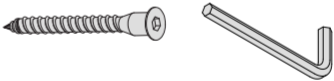


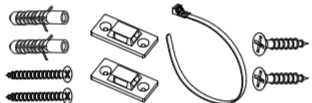
Thanks a lot your support and purchasing.

Please feel free to contact us if you have any questions with assembly or need replacement parts.



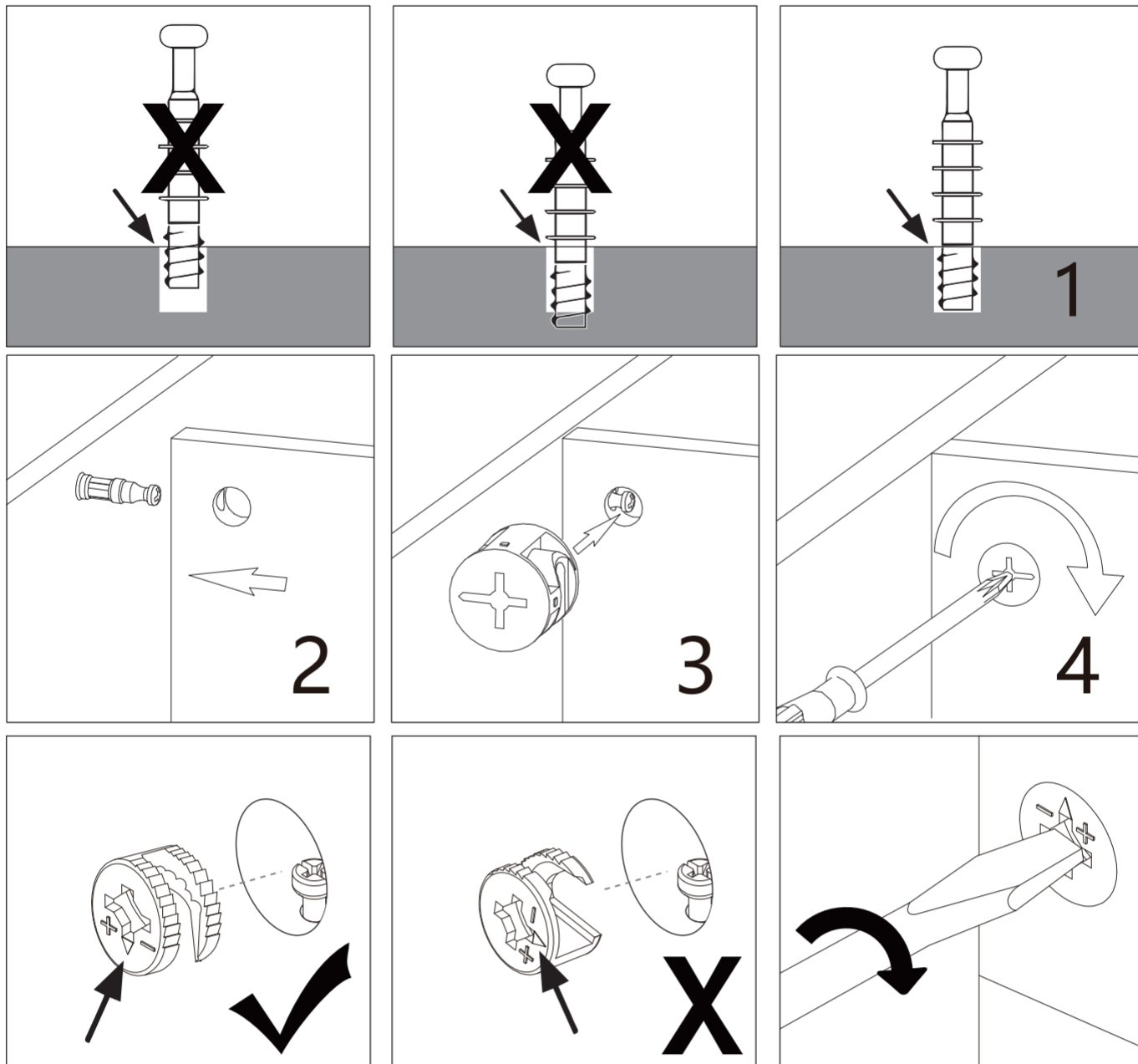


Item no.	Reference Image	Qty.	Item no.	Reference Image	Qty.
1		x1	2		x1
3		x1	4		x1
5		x1	6		x4
7		x6	8		x1
9		x1	10		x1
11		x3	12		x3
13		x6	14		x6
15		x6	16		x6

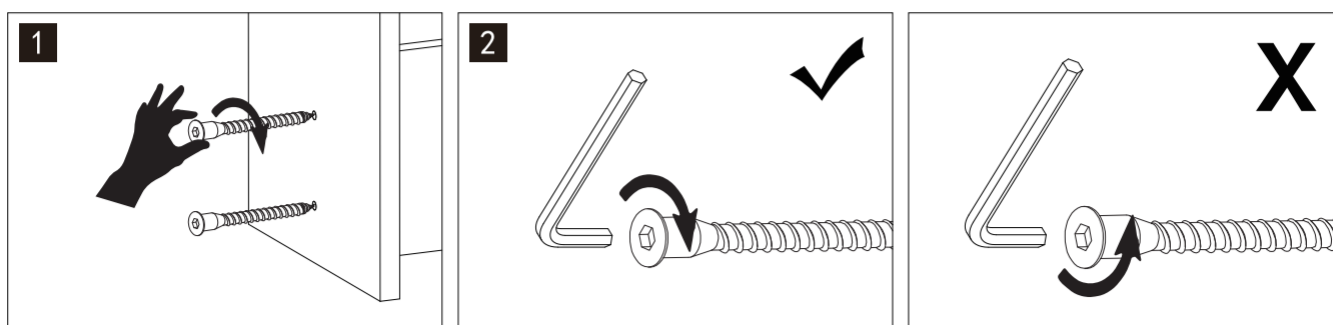
Item no.	Reference Image	Qty.	Item no.	Reference Image	Qty.
<p style="text-align: center;">Ⓐ</p>	 <p style="text-align: center;">6x35</p>	<p style="text-align: center;">x78</p>	<p style="text-align: center;">Ⓑ</p>	 <p style="text-align: center;">12x9</p>	<p style="text-align: center;">x78</p>
<p style="text-align: center;">Ⓒ</p>	<p style="text-align: center;">C=CI+CR+DL+DR</p>  <p style="text-align: center;">12inches</p>	<p style="text-align: center;">x6</p>	<p style="text-align: center;">Ⓓ</p>		<p style="text-align: center;">x20</p>
<p style="text-align: center;">Ⓔ</p>	 <p style="text-align: center;">M3x12</p>	<p style="text-align: center;">x68</p>	<p style="text-align: center;">Ⓕ</p>	 <p style="text-align: center;">M5x40/#3</p>	<p style="text-align: center;">x26/x1</p>
<p style="text-align: center;">Ⓖ</p>	 <p style="text-align: center;">φ12x5</p>	<p style="text-align: center;">x8</p>	<p style="text-align: center;">Ⓗ</p>		<p style="text-align: center;">x2</p>
<p style="text-align: center;">Ⓘ</p>		<p style="text-align: center;">x2</p>			

Hardware installation indication

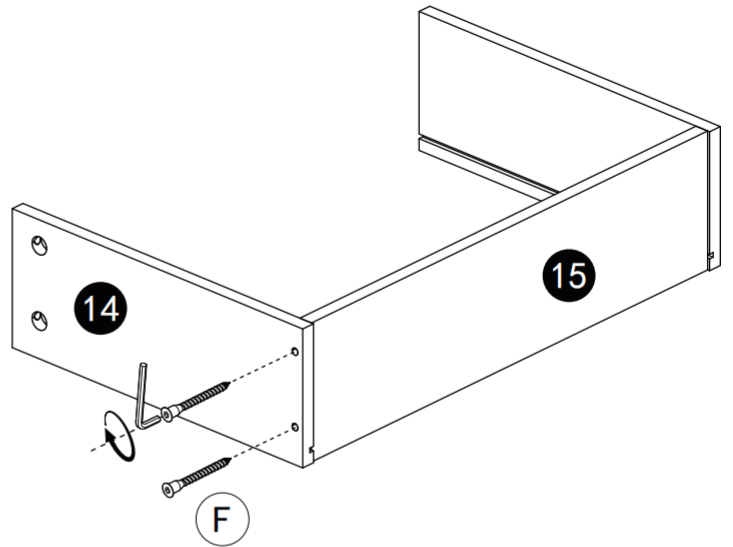
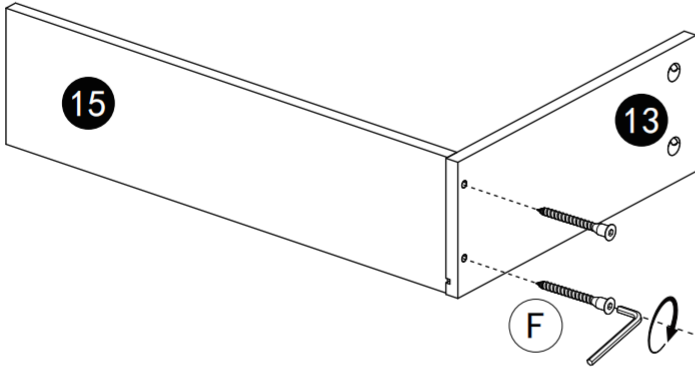
Installation method of three in one rod and buckle



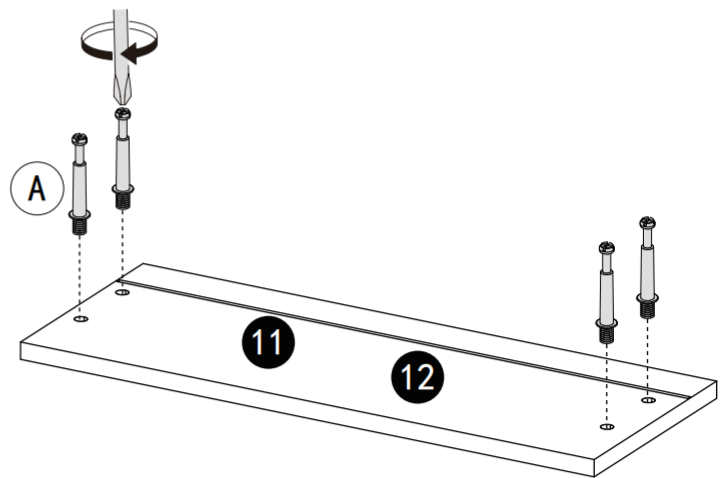
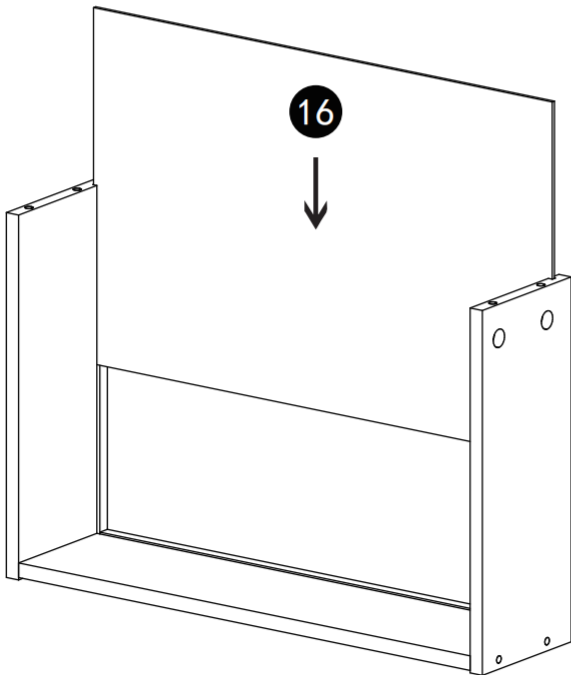
Screw installation method





1

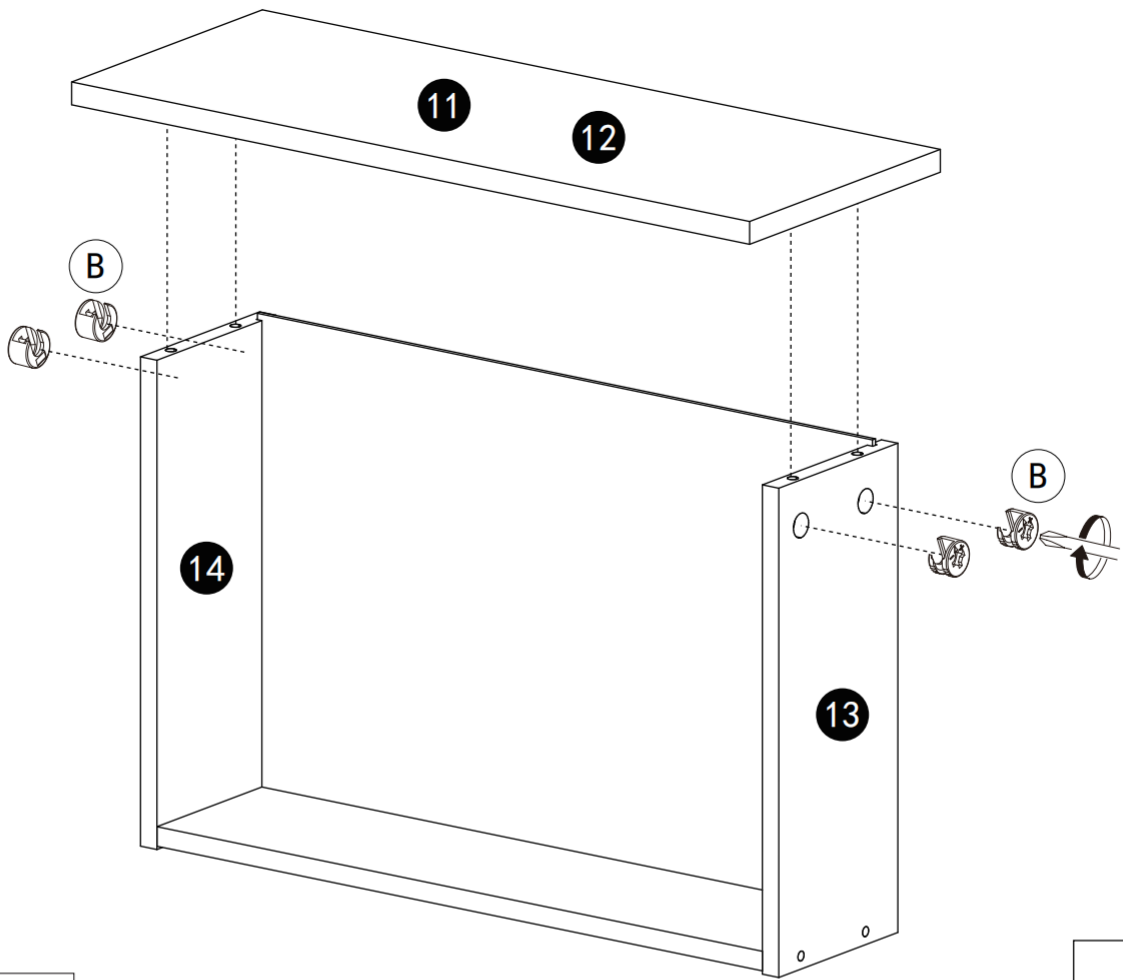


X6



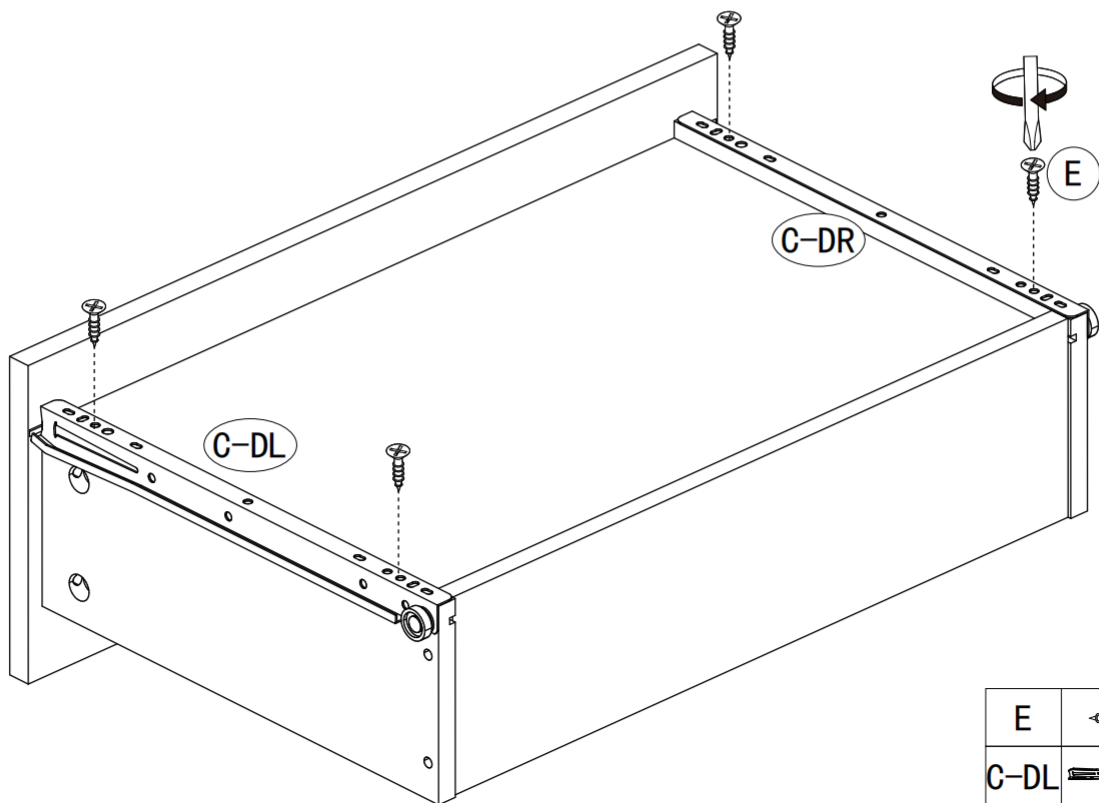
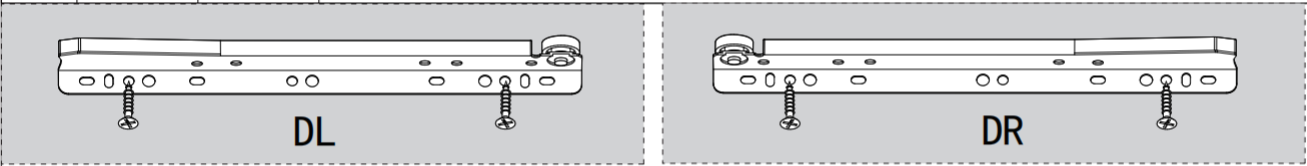
A		x24
F		x24




2



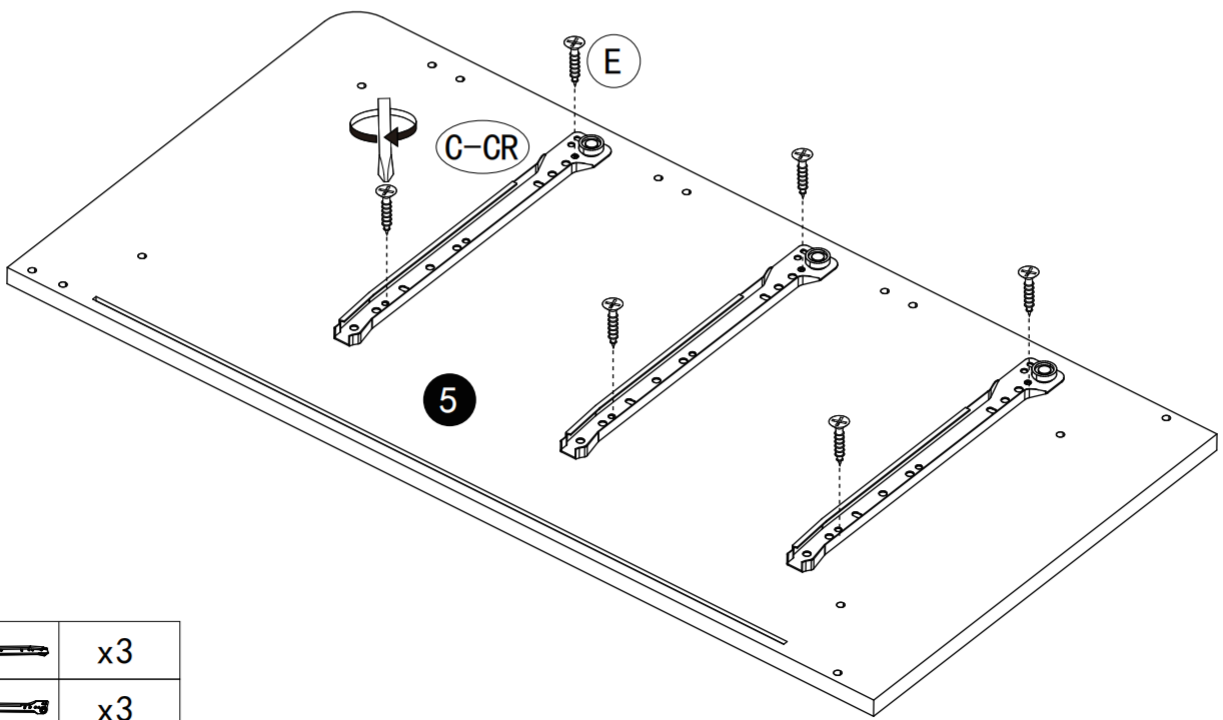
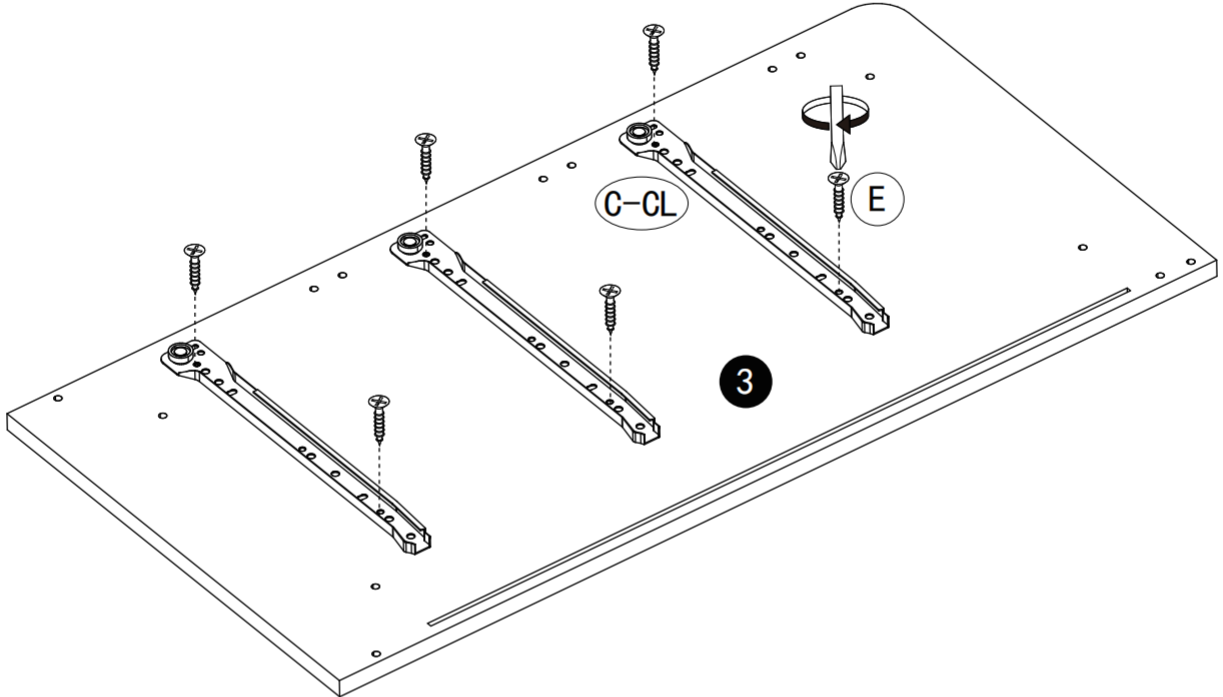
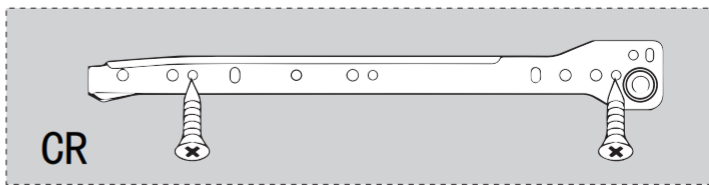
B  x24



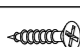
X6

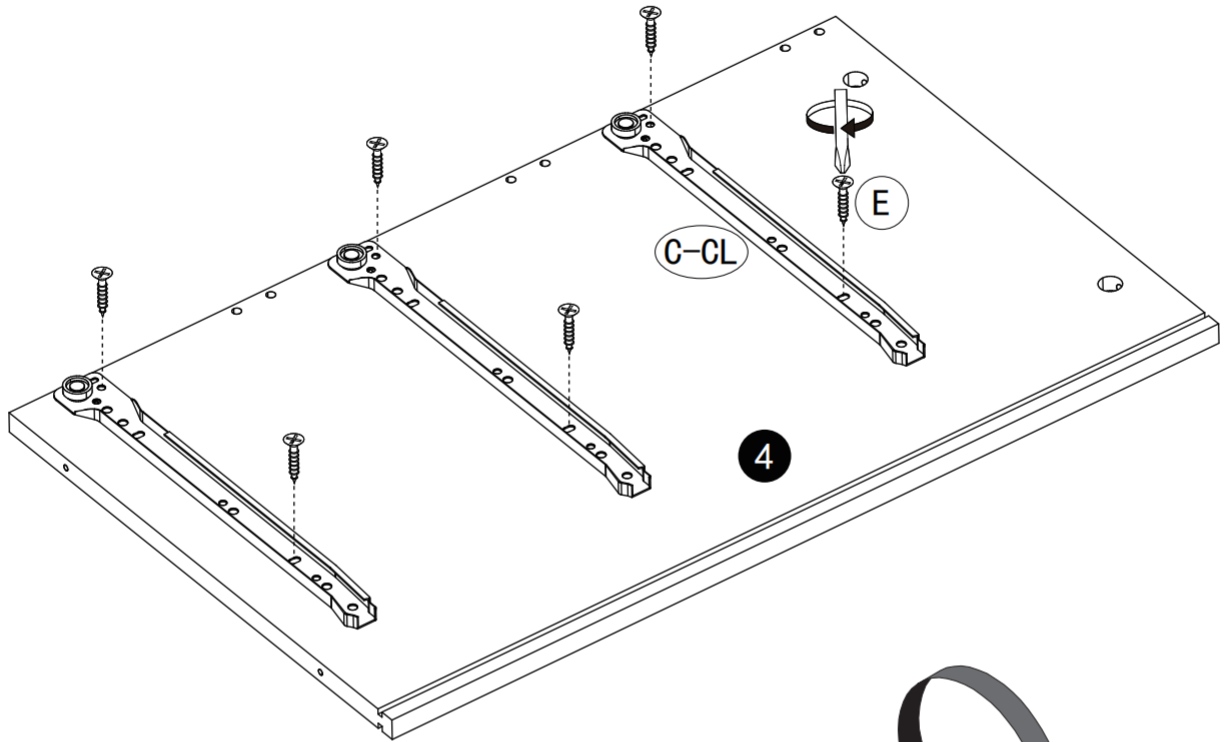
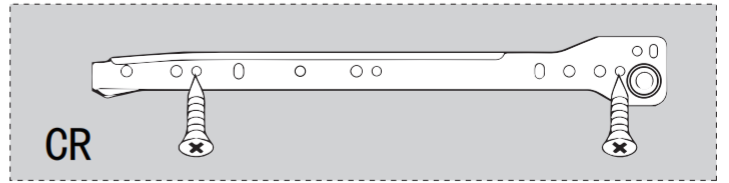
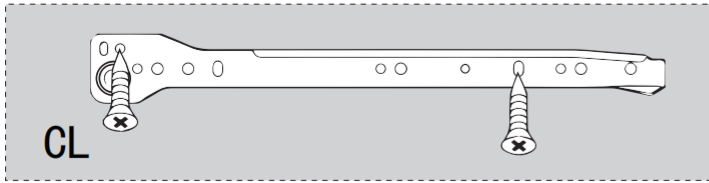


E		x24
C-DL		x6
C-DR		x6

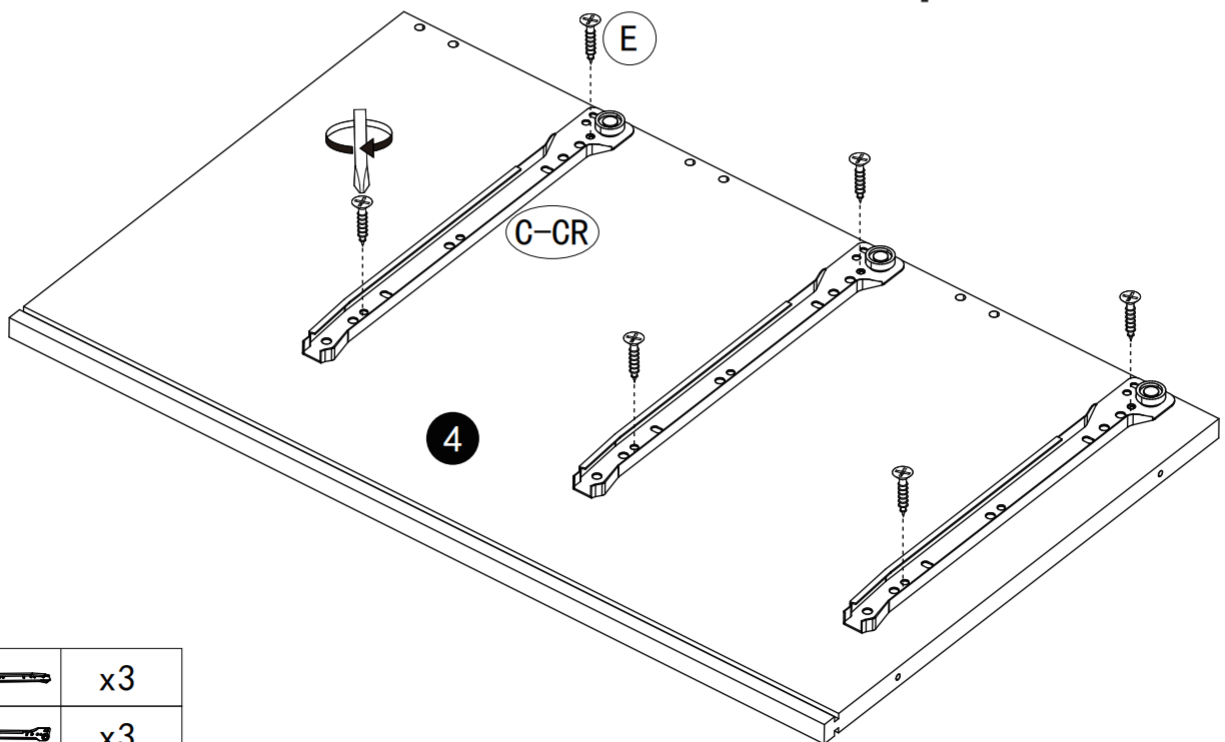
3



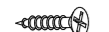


C-CL		x3
C-CR		x3
E		x12



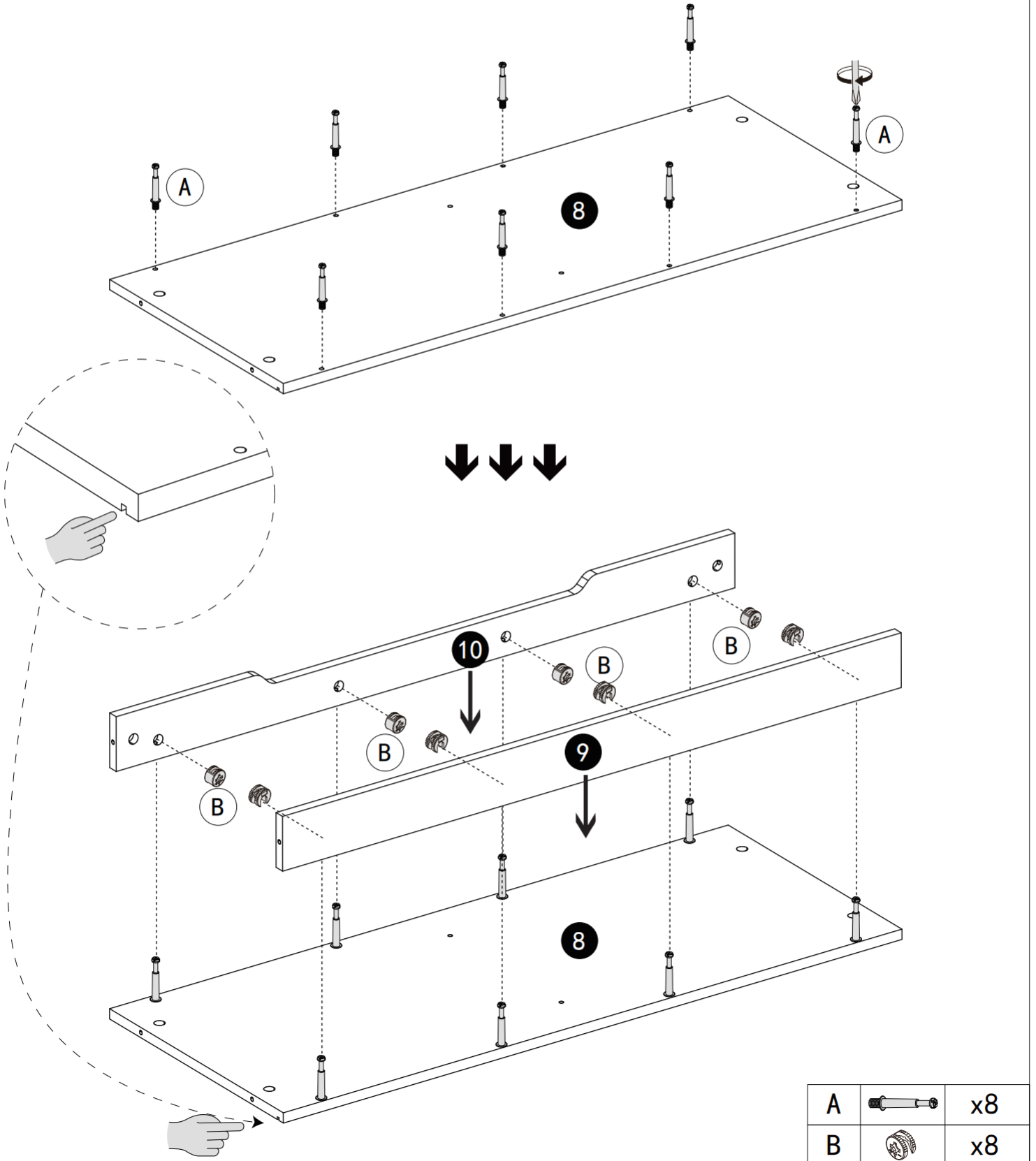
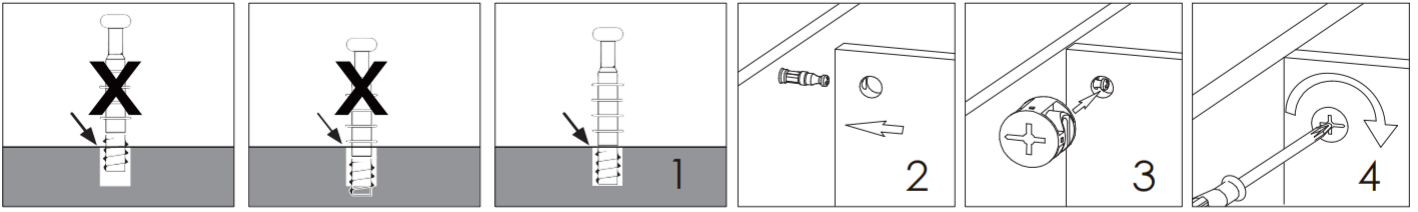
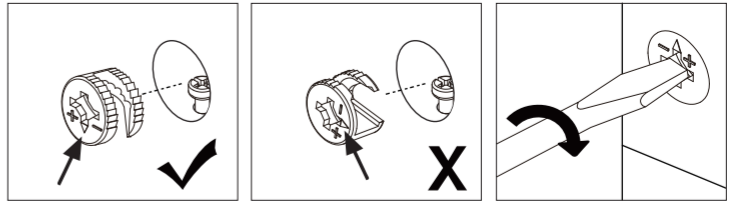
flip over





C-CL		x3
C-CR		x3
E		x12

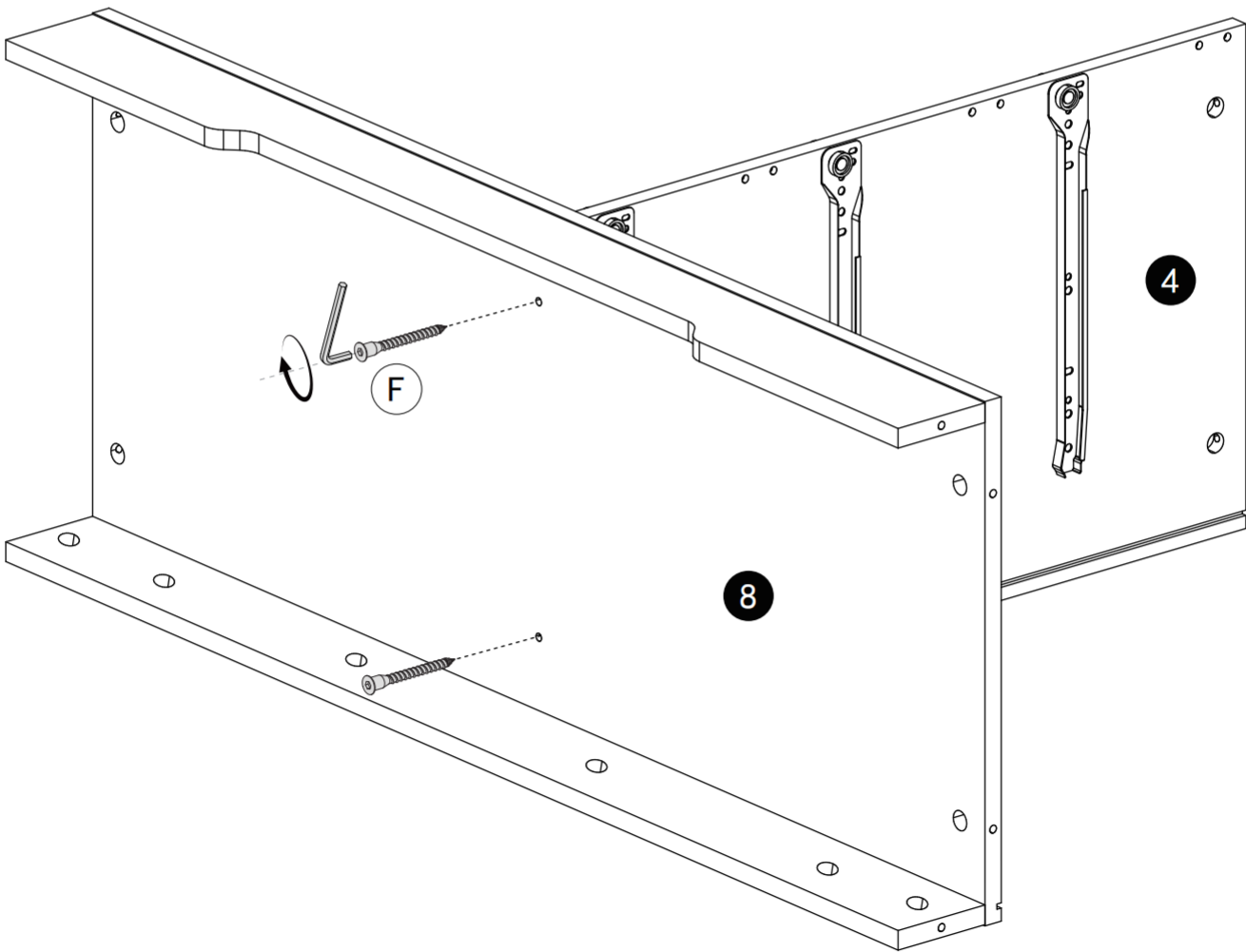
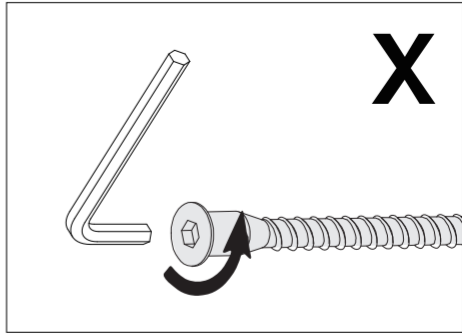
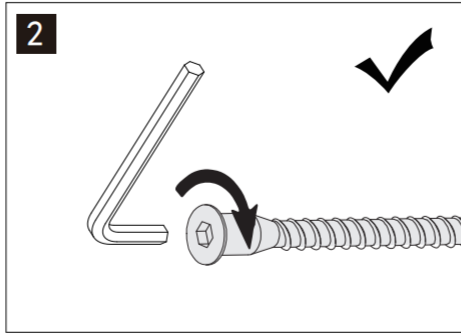
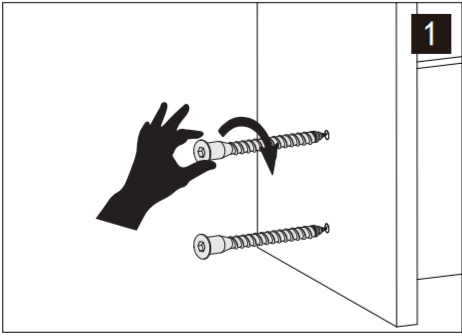
5

Installation method of three in one rod and buckle

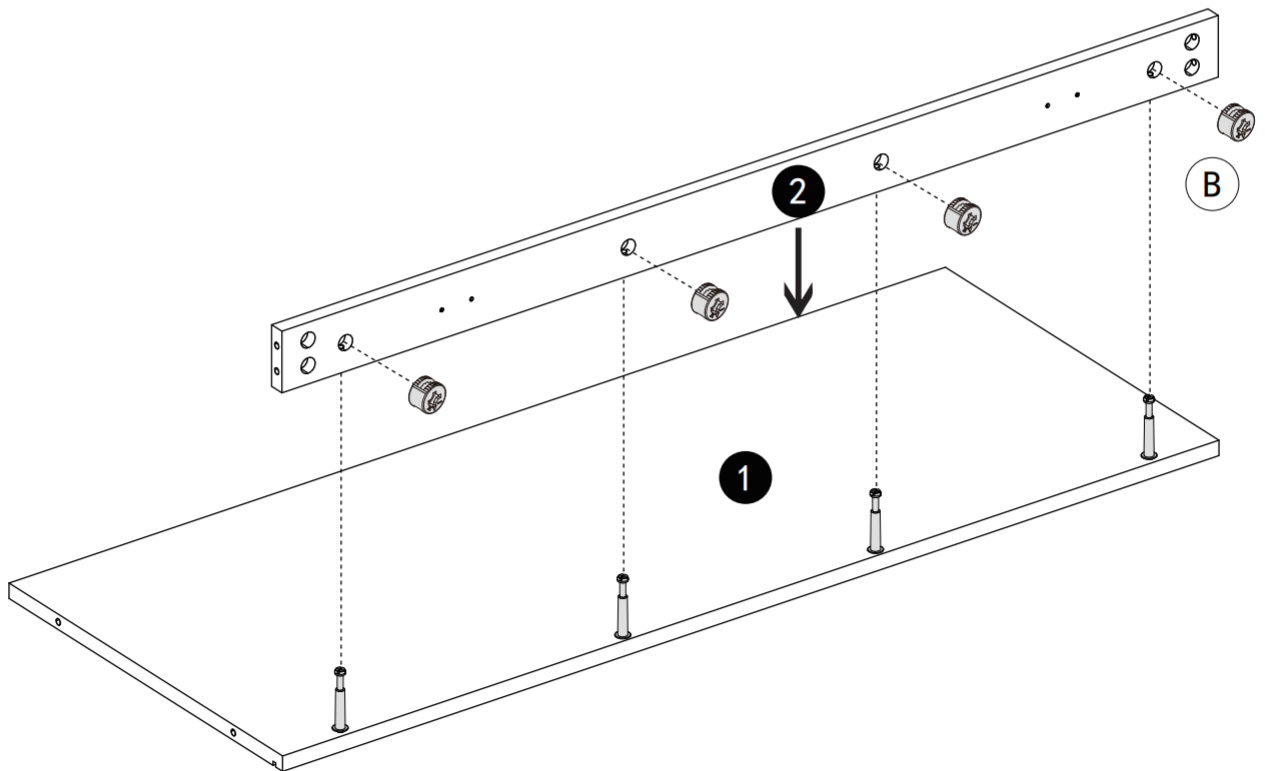
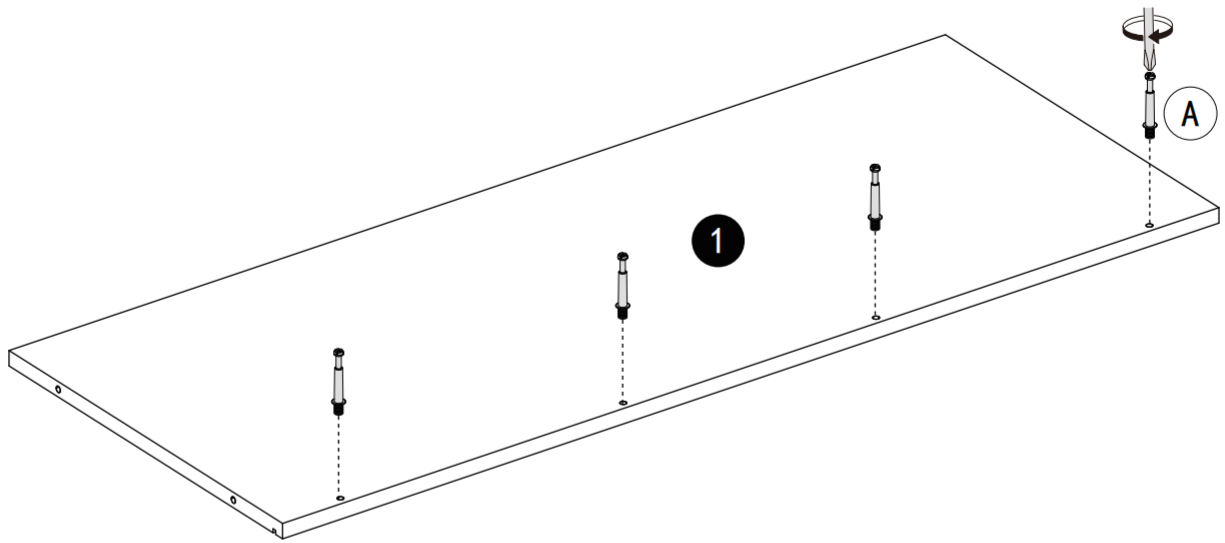




A		x8
B		x8

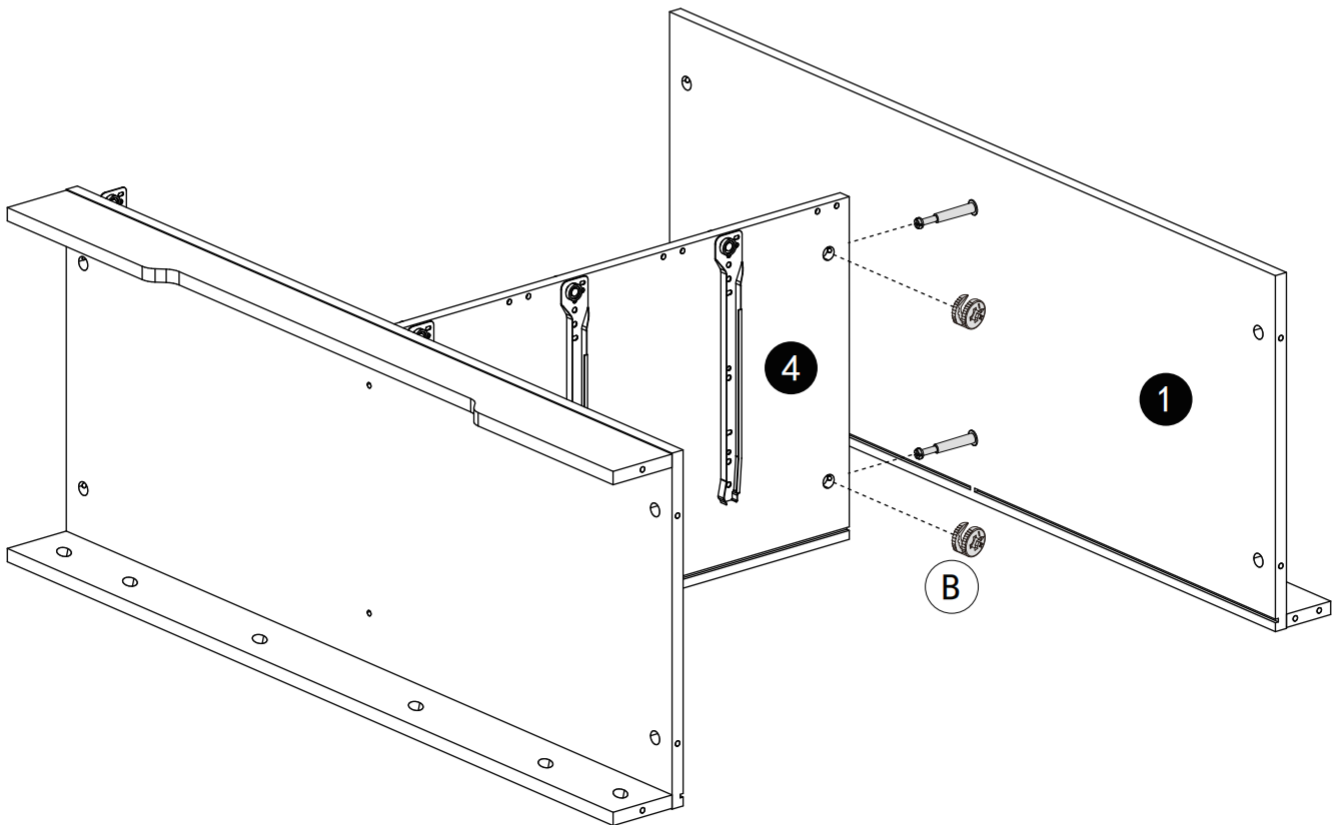
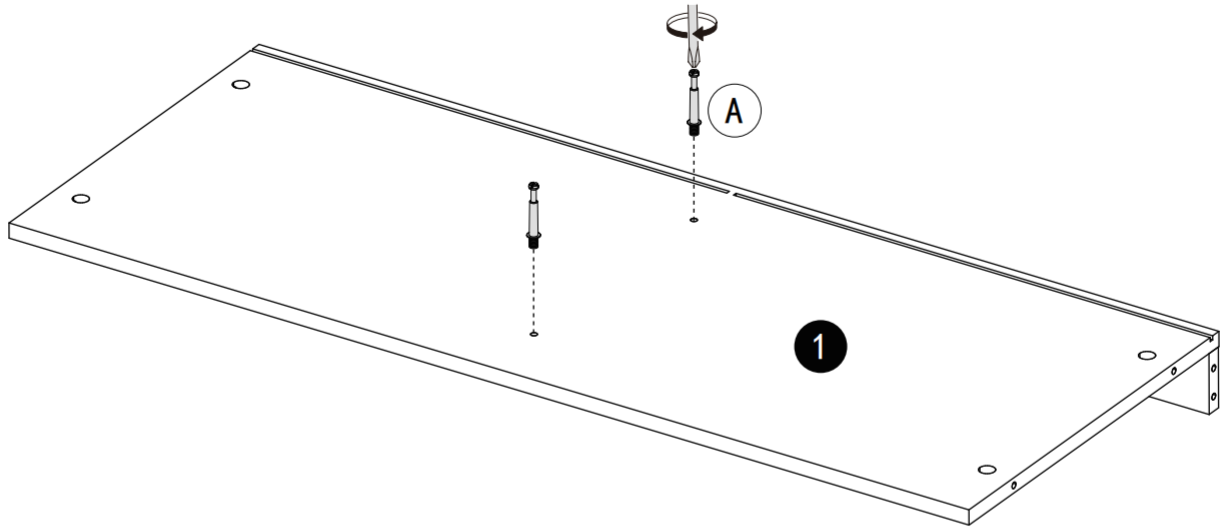
6





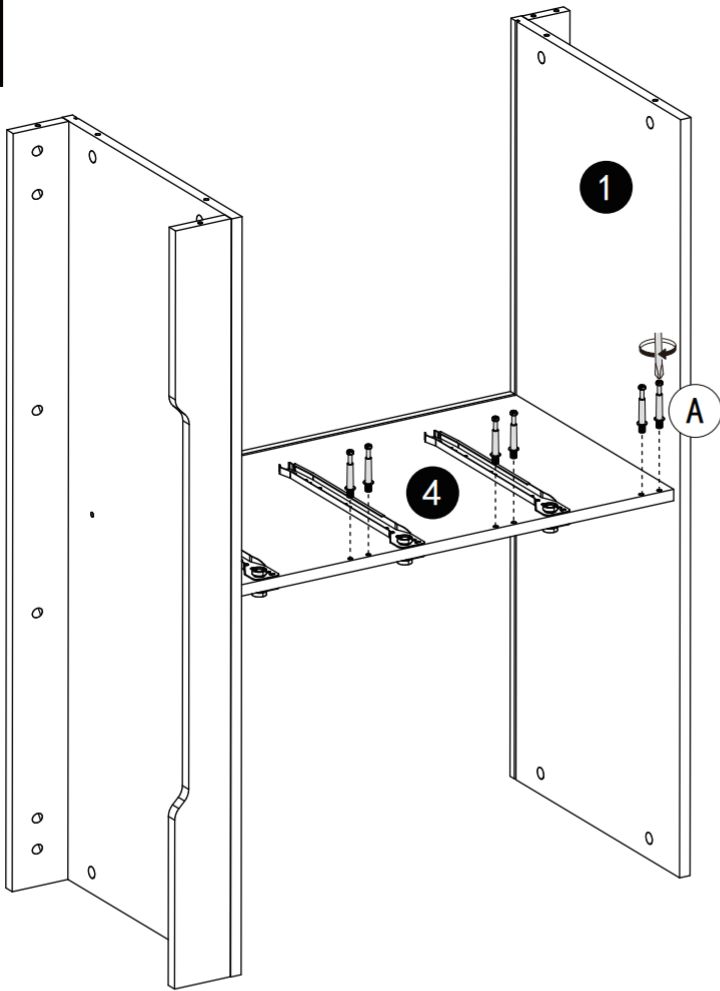
F  x2



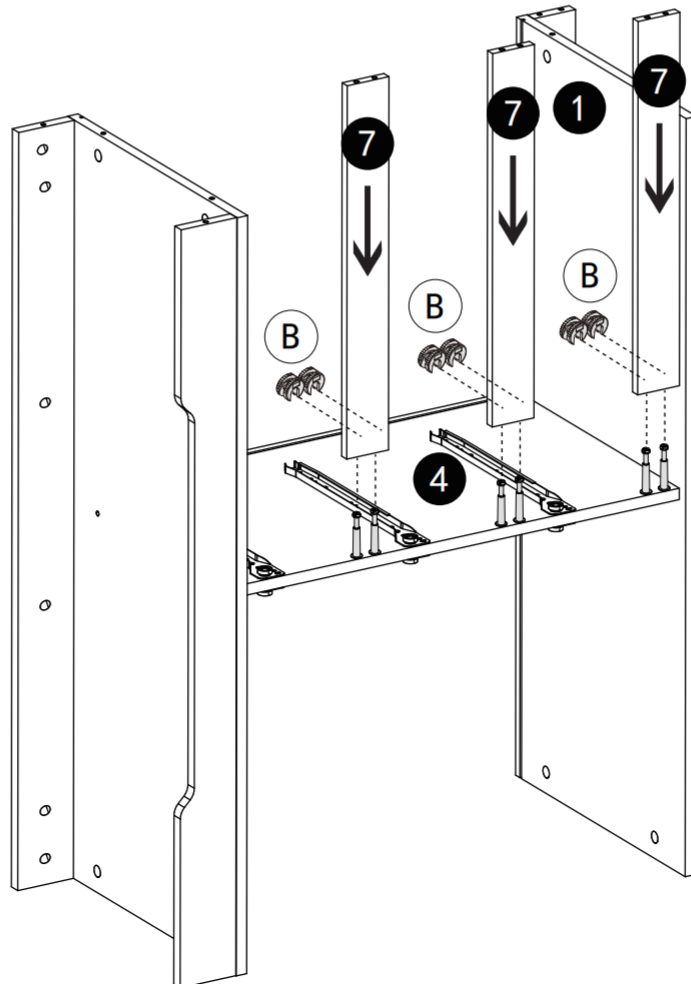
A		x4
B		x4





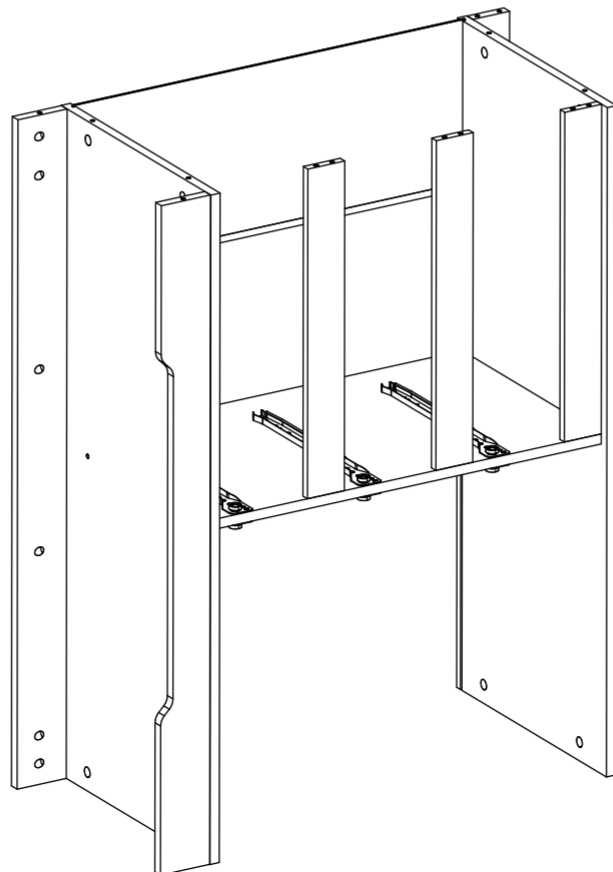
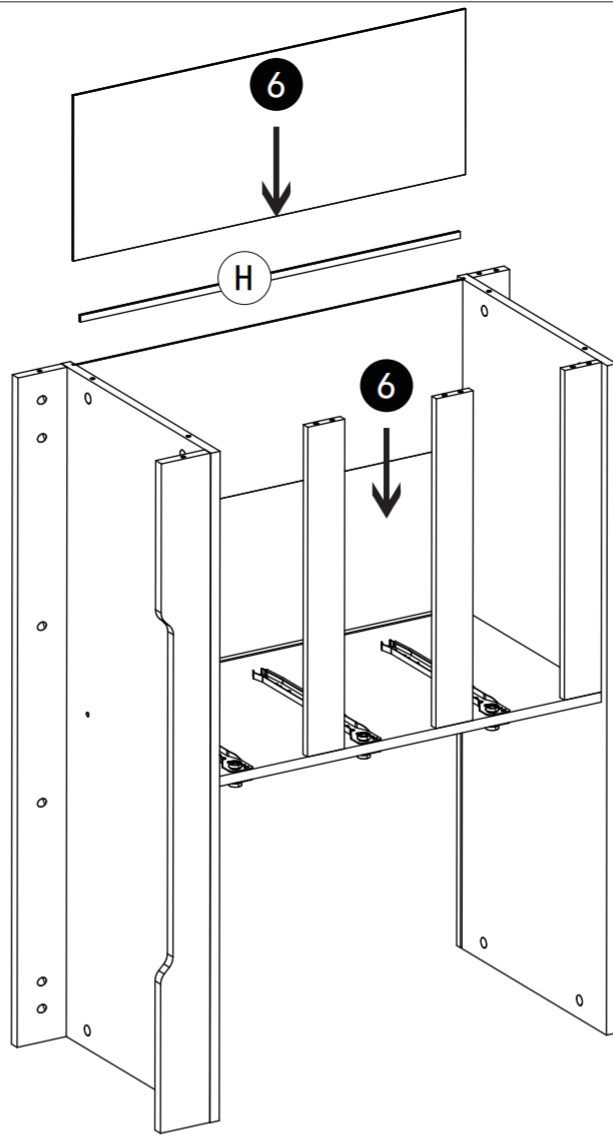
A		x2
B		x2



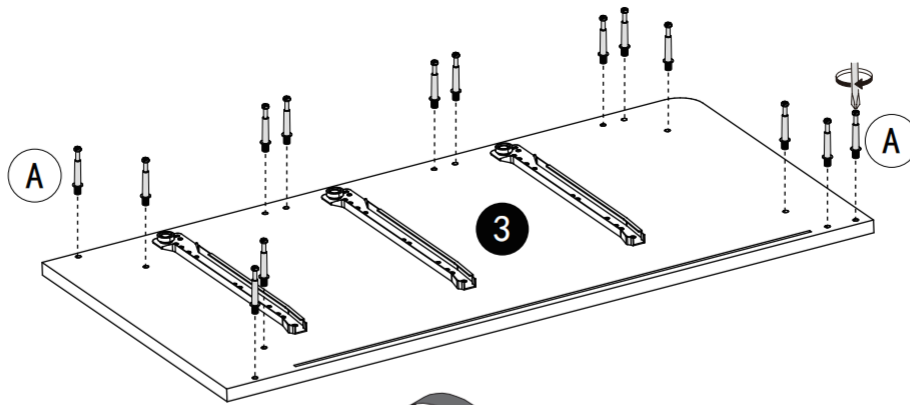
Note: After installation in this step, the upper part of No.7 and No.1 plate are attached tightly. If not, you can rotate it 180 degrees left and right. The other two No.7 plate holes installed in this direction are the same.



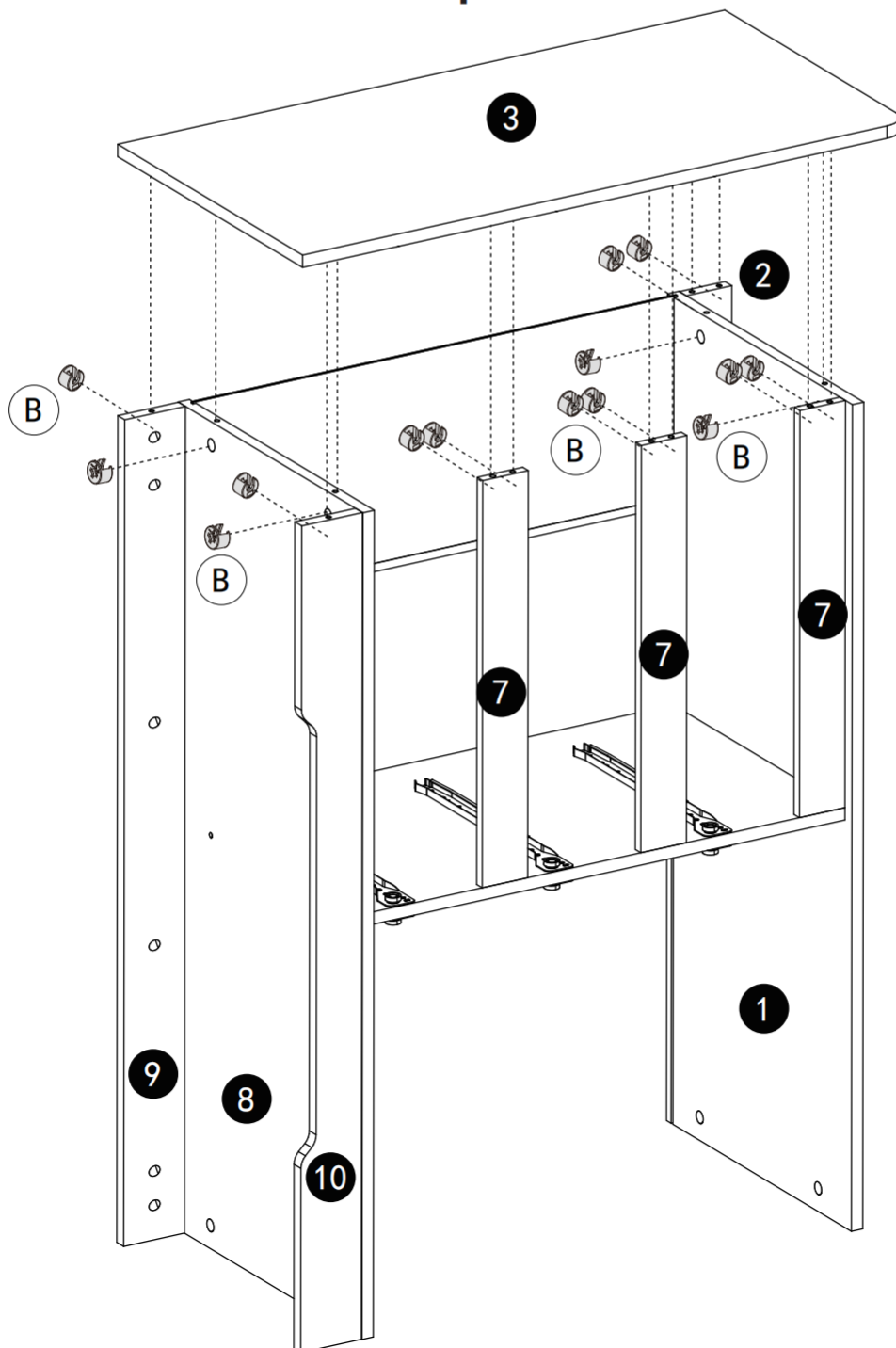
A		x6
B		x6





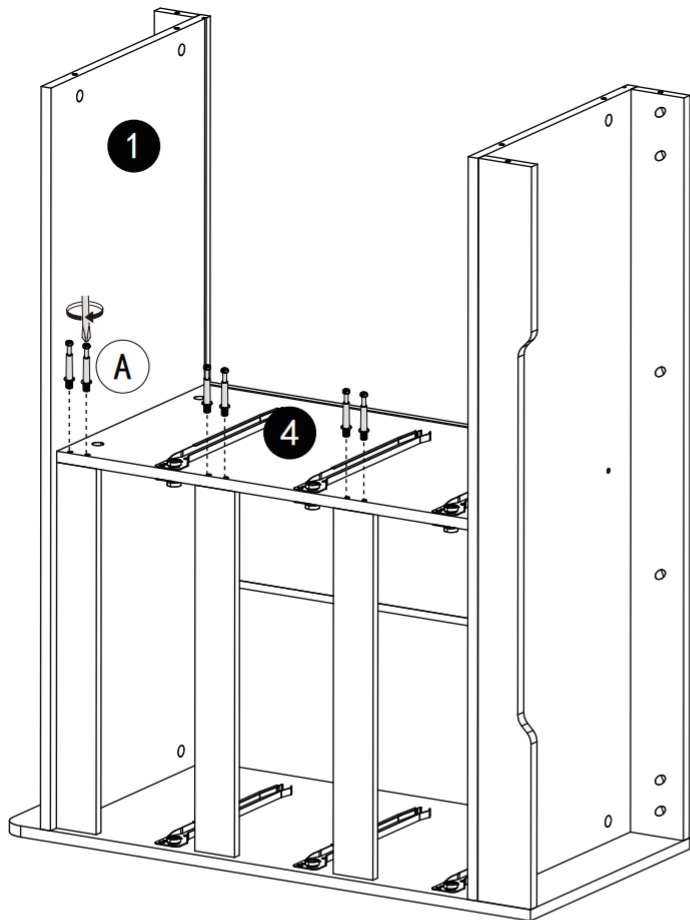
H		x1
---	--	----



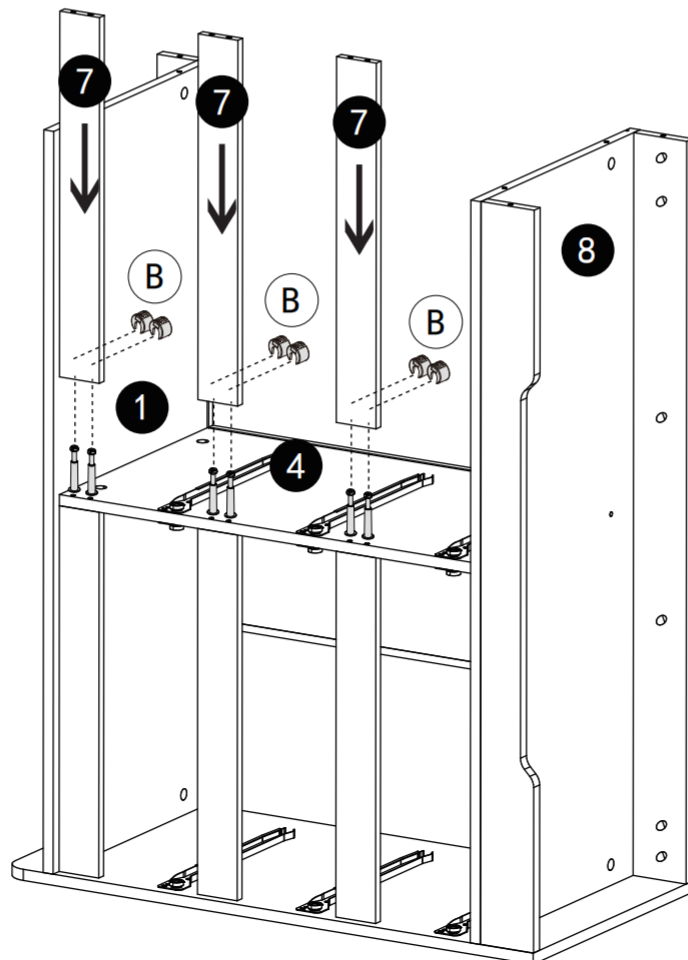
flip over





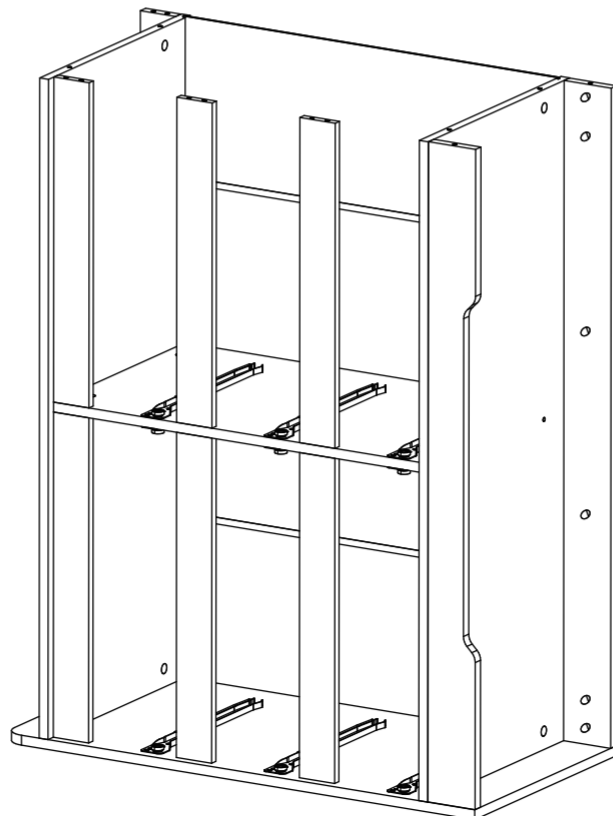
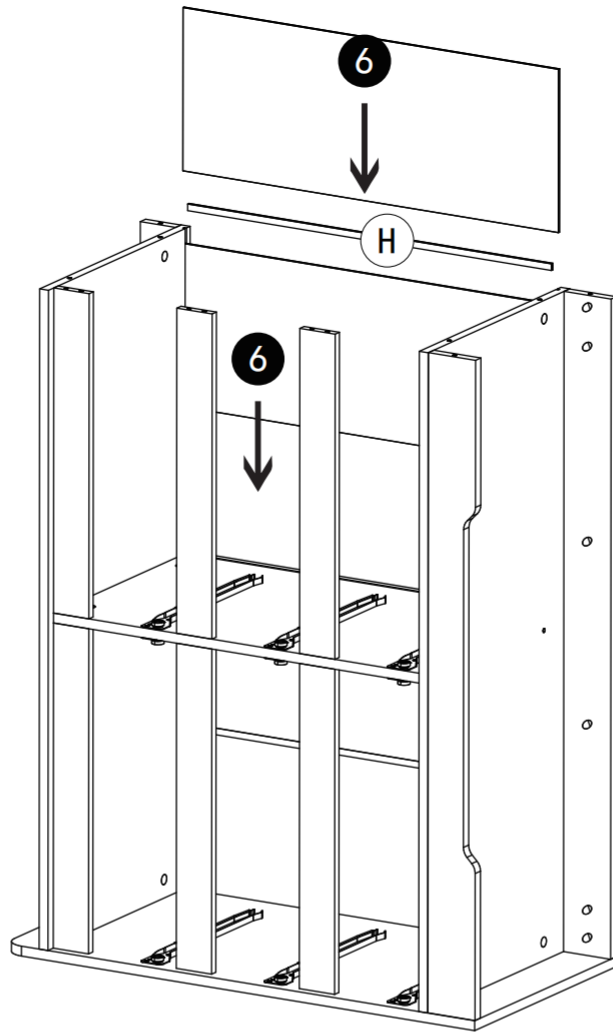
A		x14
B		x14



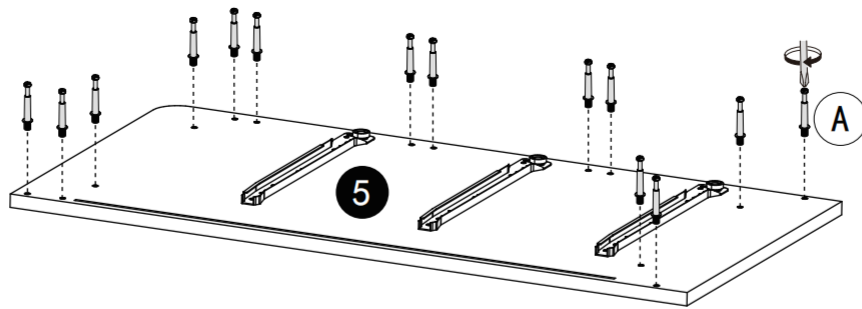
Note: After installation in this step, the upper part of No.7 and No.1 plate are attached tightly. If not, you can rotate it 180 degrees left and right. The other two No.7 plate holes installed in this direction are the same.



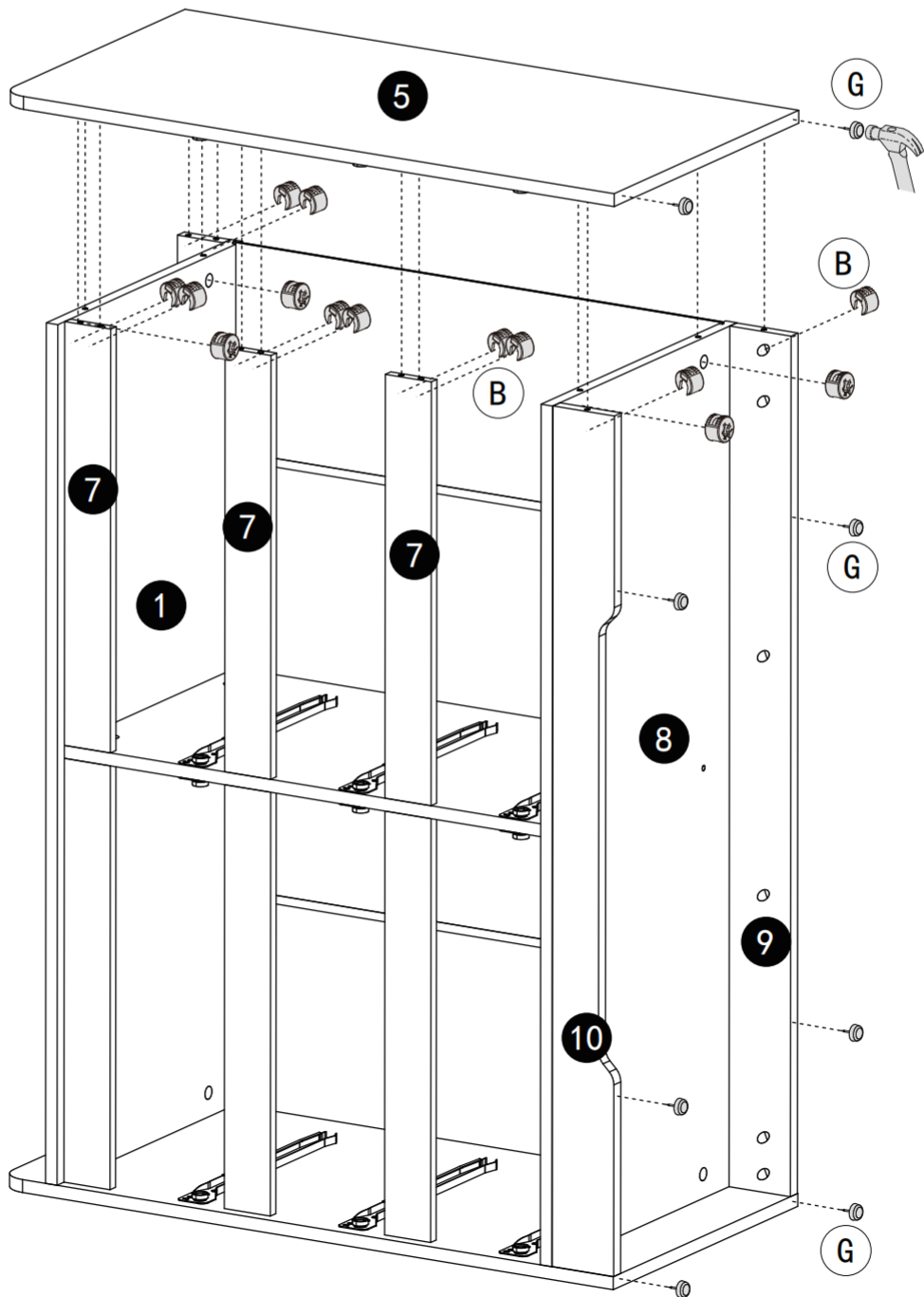
A		x6
B		x6



H		x1
---	-------------------------------------------------------------------------------------	----

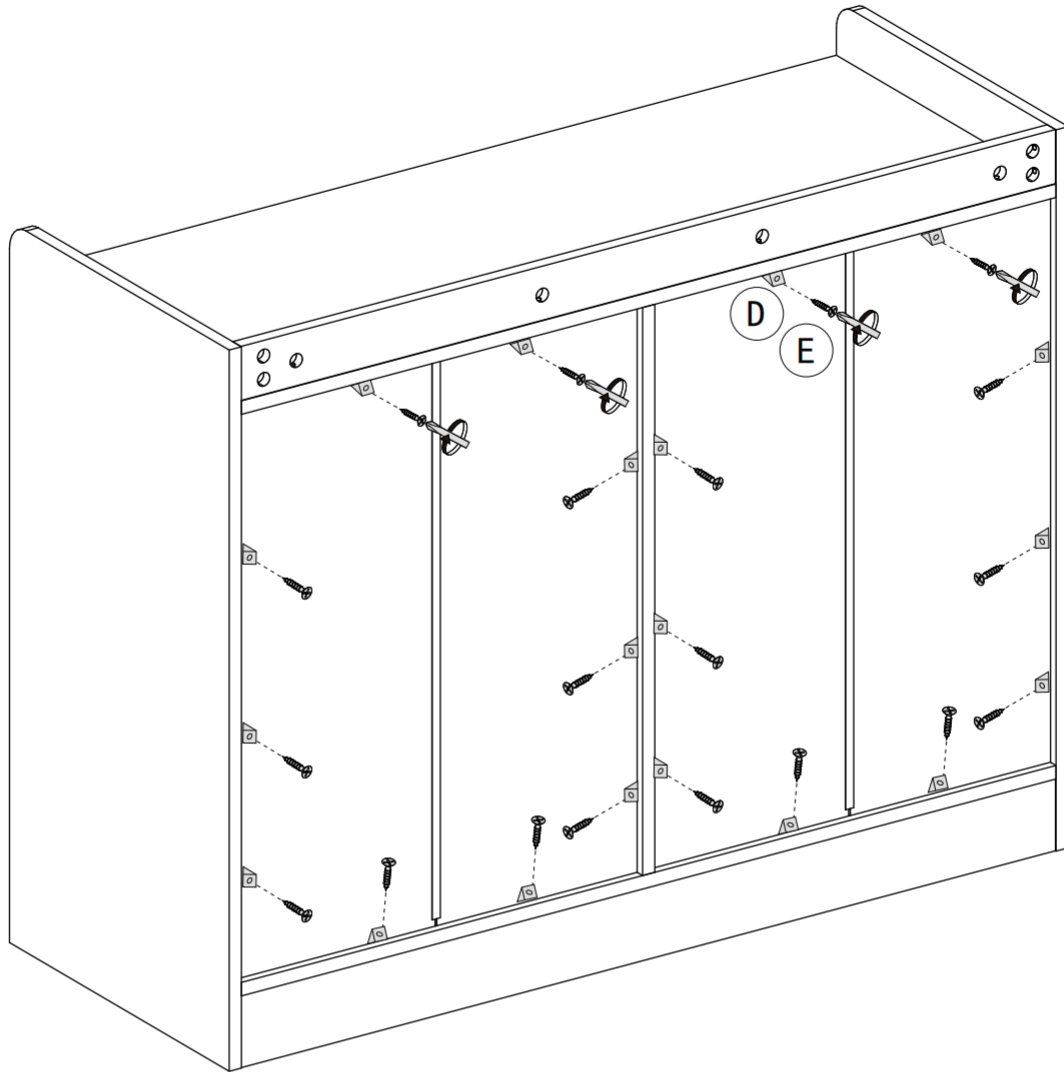




flip over



A		x14
B		x14

G		x8
---	--	----



D		x20
E		x20

