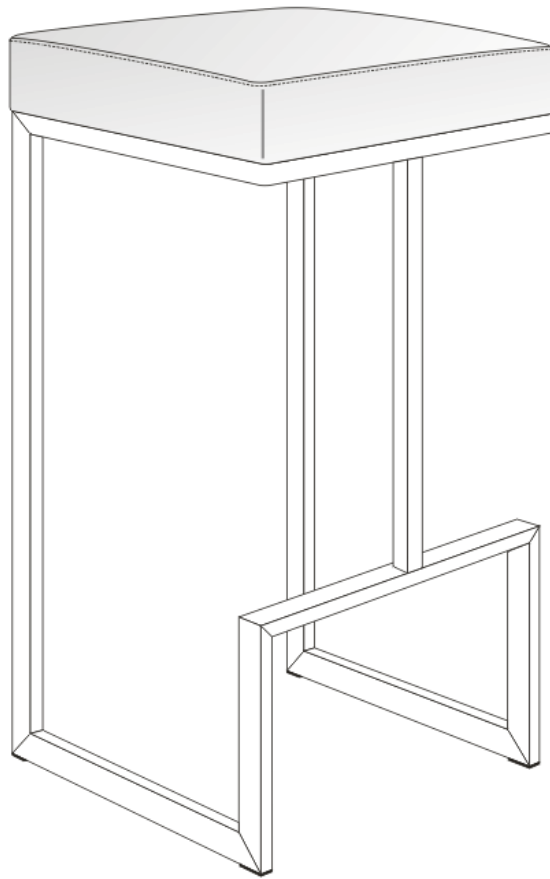

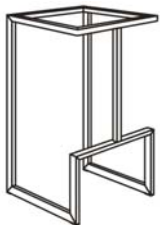


# ASSEMBLY INSTRUCTIONS



## Barstool



# Parts List

Label	Picture	Description	QTY
A		Seat Pad	1
B		Frame	1

## Hardware

Label	Picture	Description	QTY
C		Screw 6x40 MM	4
D		Spanner (M4)	1

### **BEFORE BEGINNING ASSEMBLY:**



*Read instructions cover to cover*



*Have two adults on hand for assembly*



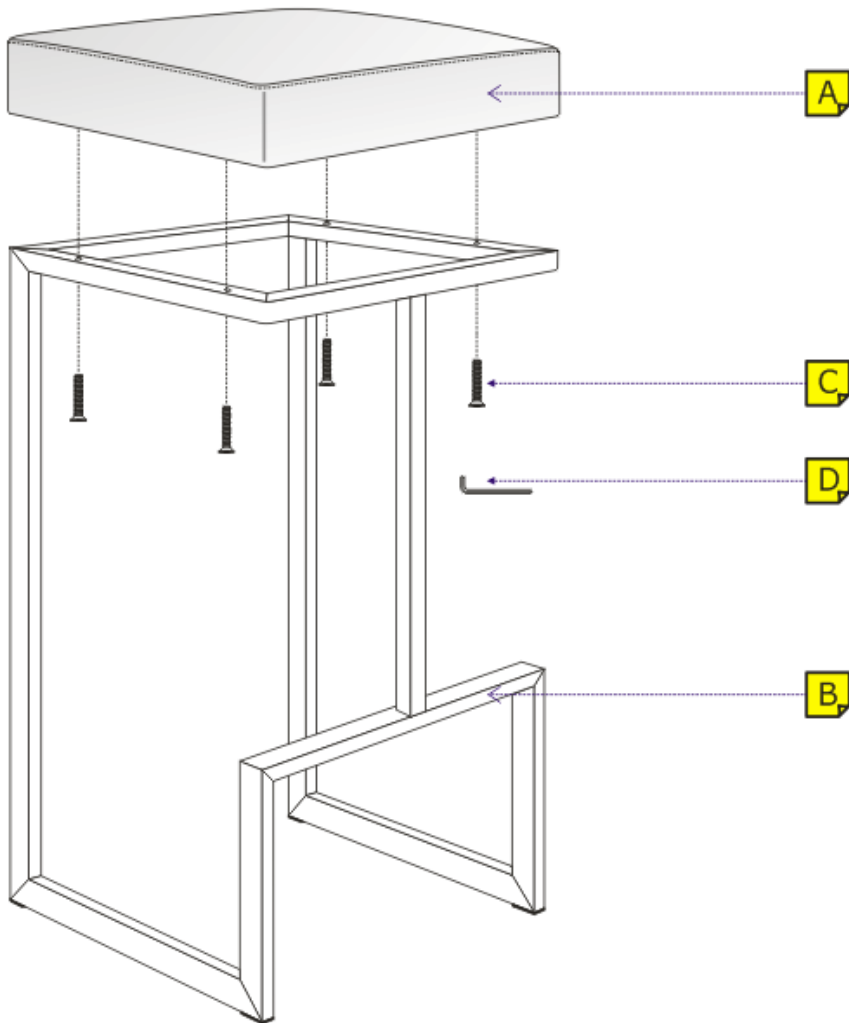
*Do NOT assemble on flooring or carpet. Assemble on a clean non-marring surface (ex: packing foam)*



*Save all packaging until assembly is completed*

# Assembly Steps

## Step 1



As the picture shows. Tighten the screws.

## **CARE & MAINTENANCE**



**Do not put hot items directly on furniture surface.**



**Do not clean furniture with harsh cleansers or polish.**



**Dust and pick up spills using a clean, non-colored, lint-free cloth.**



**Stains may be removed with mild soap solution and a damp cloth.**



**Do not place furniture under direct sunlight.**



**Do not place furniture near heating or cooling vents.**



**Do not write on furniture without a padded barrier to protect the surface.**



**Do not place furniture outside, for indoor use only.**