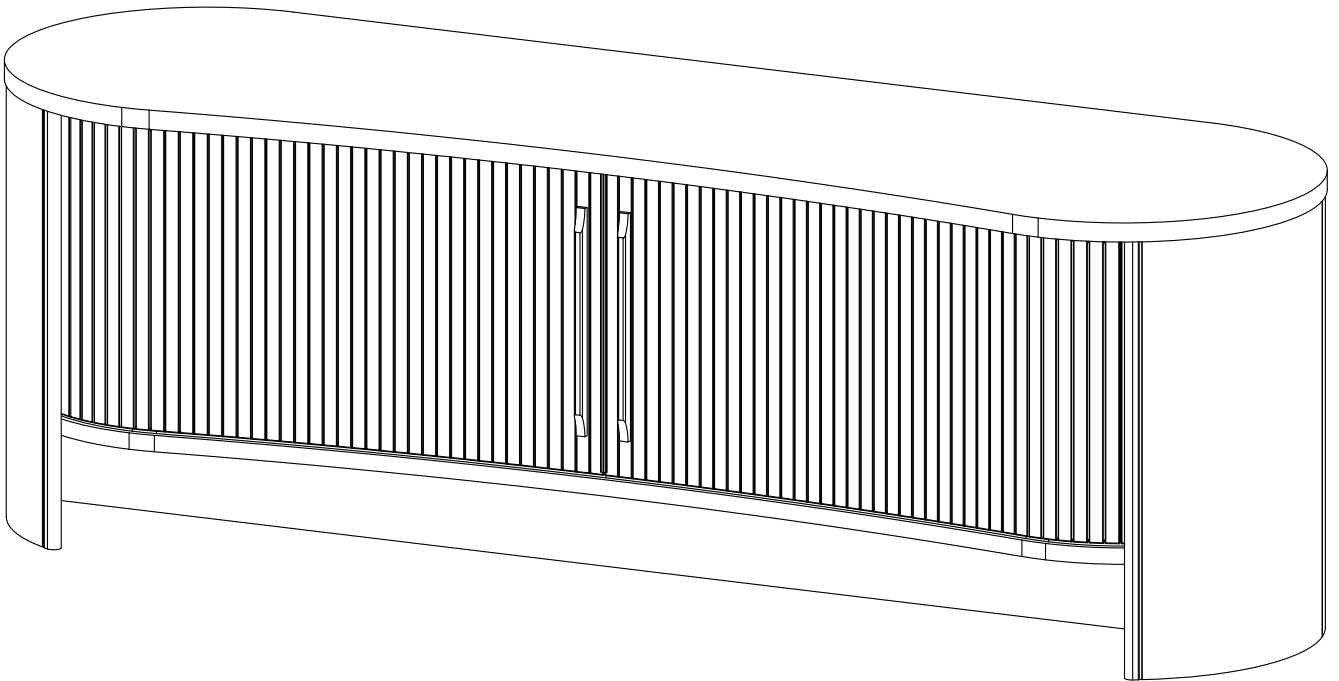
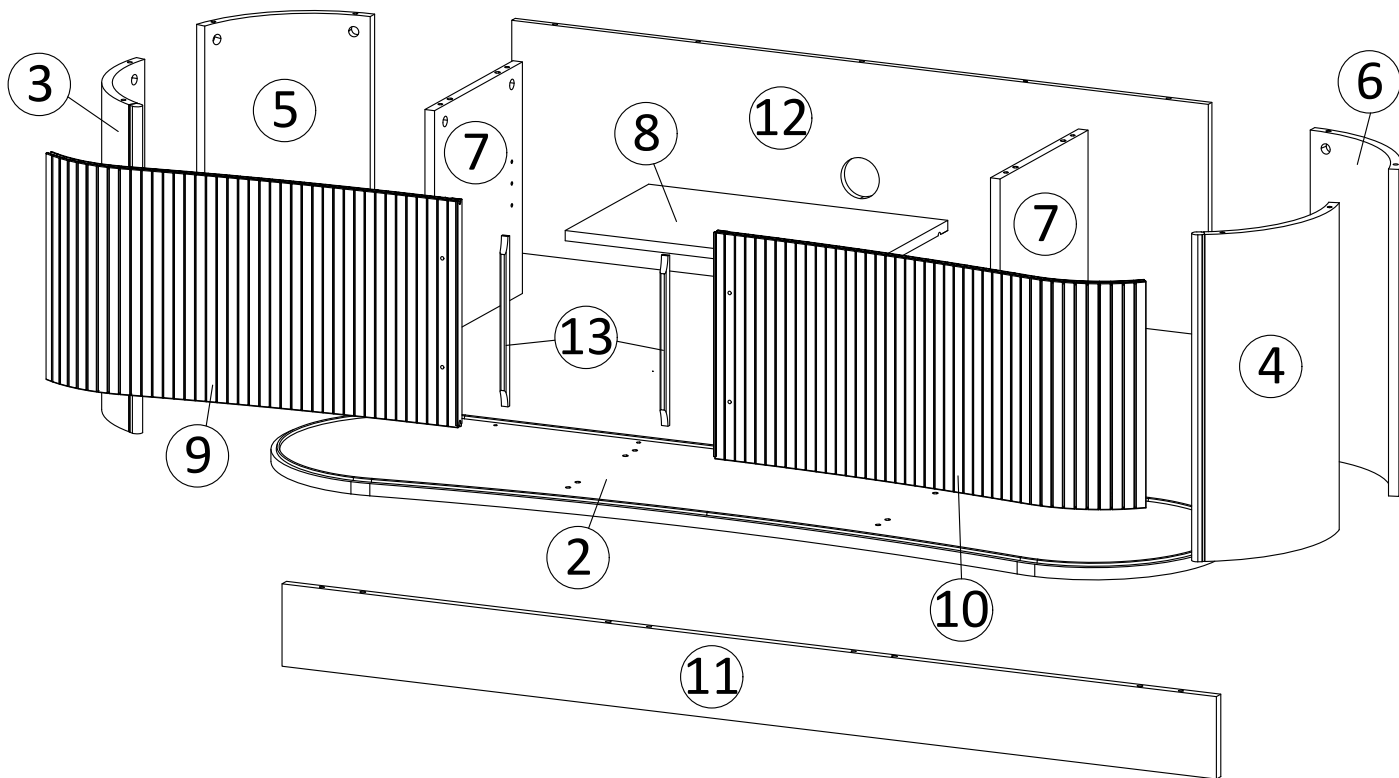
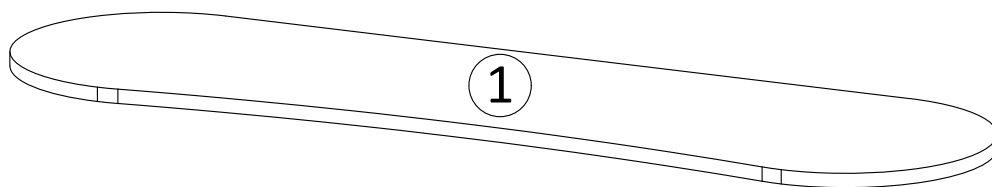


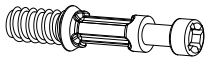




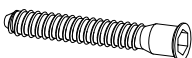


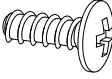
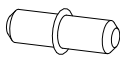

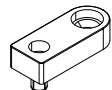



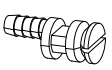
ASSEMBLY INSTRUCTIONS

1340034



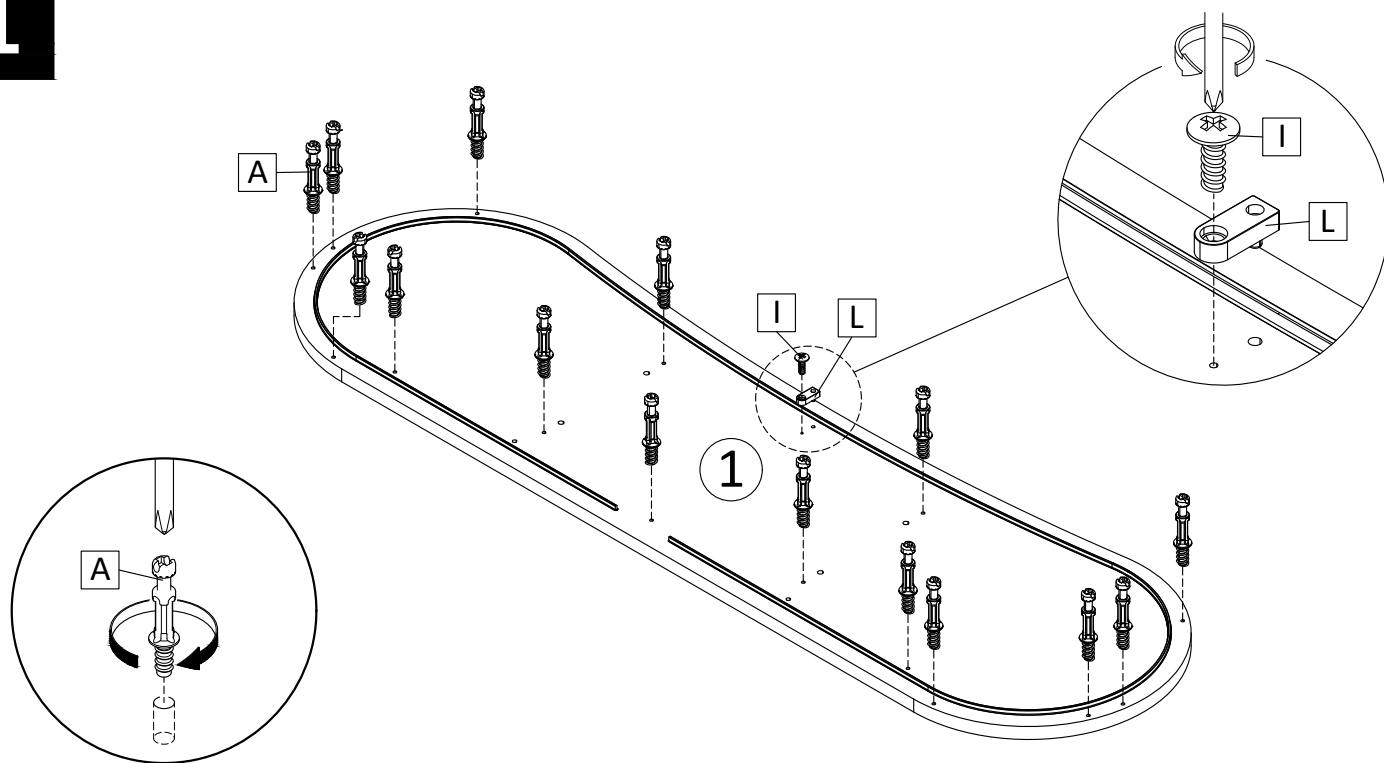


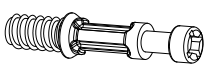
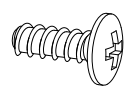
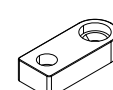
Hardware

<p>A x 22</p>  <p>∅6 x 35 mm</p>	<p>B x 16</p>  <p>∅15 mm</p>	<p>C x 6</p>  <p>∅12 mm</p>	<p>D x 12</p>  <p>∅8 x 30 mm</p>
<p>E x 4</p>  <p>∅6 x 30 mm</p>	<p>F x 4</p>  <p>M 7 x 50 mm</p>	<p>G x 2</p>  <p>L 4</p>	<p>H x 6</p> 
<p>I x 25</p>  <p>M 4.5 x 12.5 mm</p>	<p>J x 4</p> 	<p>K x 2</p> 	<p>L x 3</p> 
<p>M x 4</p>  <p>M 4 x 20 mm</p>	<p>N x 9</p> 	<p>O x 4</p>  <p>∅15 mm</p>	<p>P x 2</p> 

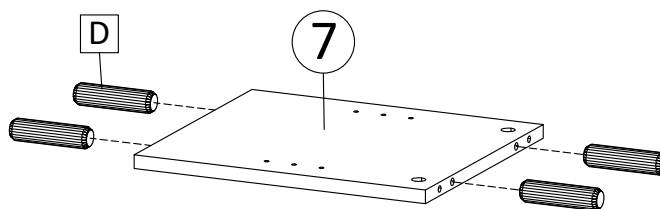
 <p>SET-UP TIME : 60 MINUTES</p>	 <p>NUMBER OF PERSONS : 02</p>	 <p>TOOLS : </p>
---	--	---

1

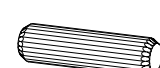


A	x 15	I	x 1	L	x 1
 Ø6 x 35 mm		 M 4.5 x 12.5 mm			

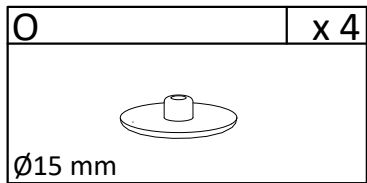
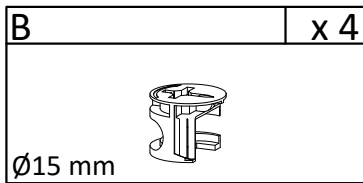
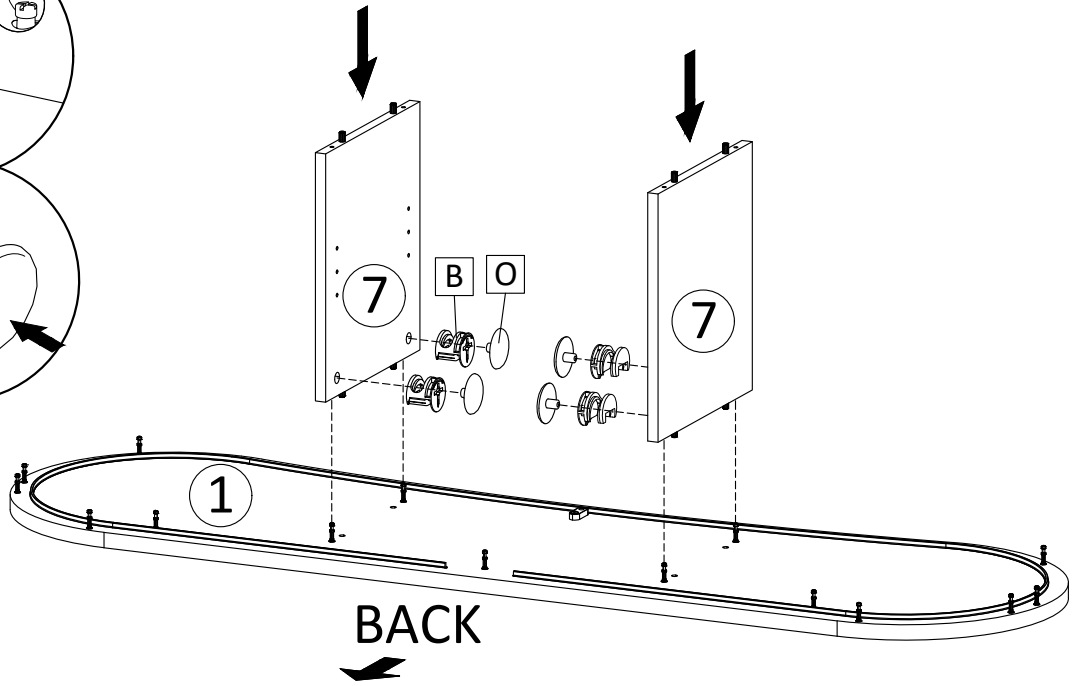
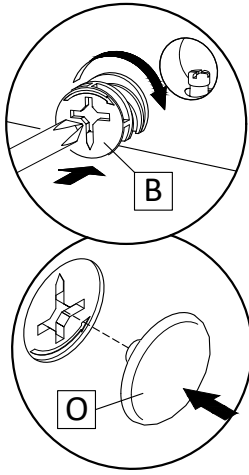
2



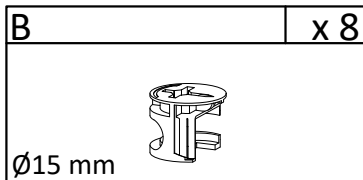
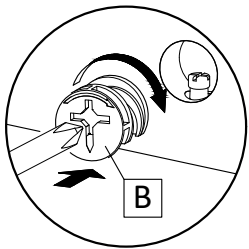
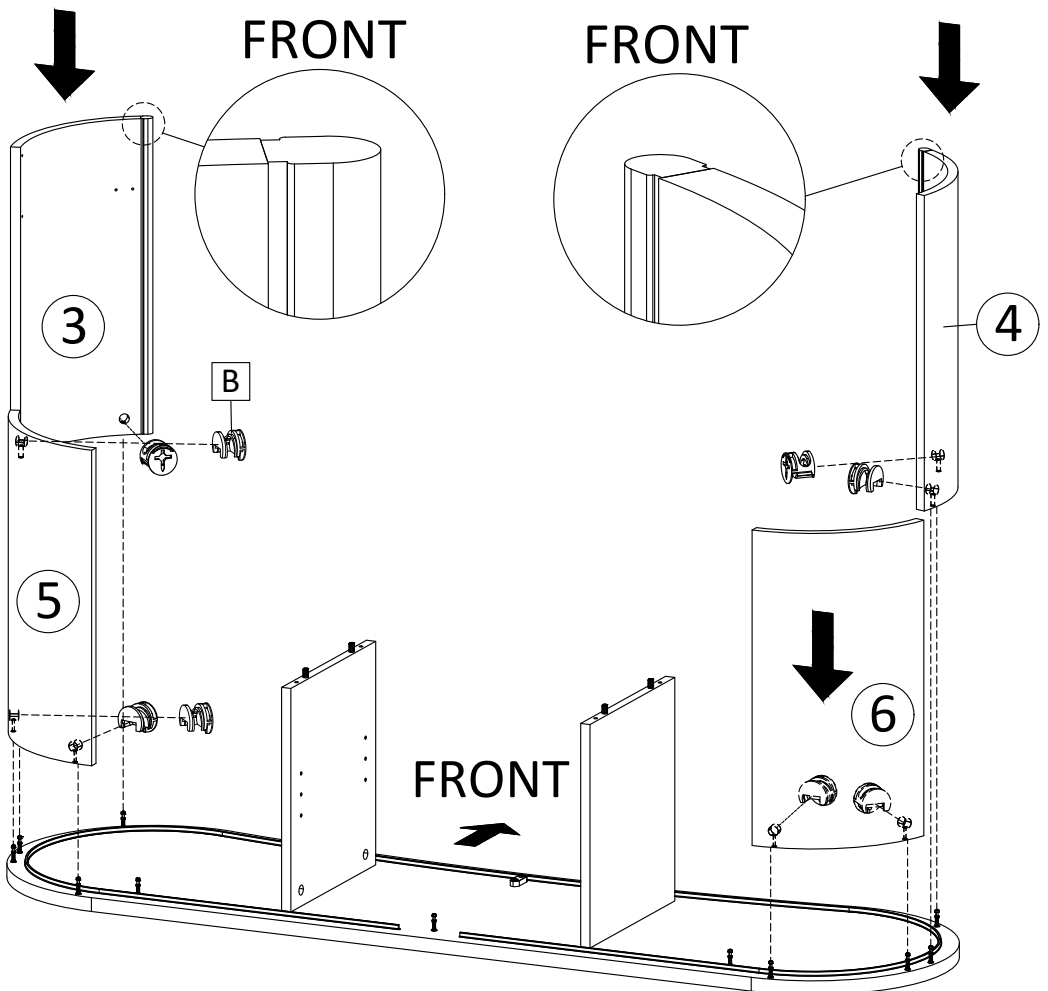
x 2

D	x 8
 Ø8 x 30 mm	

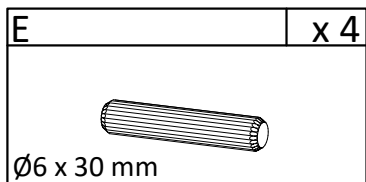
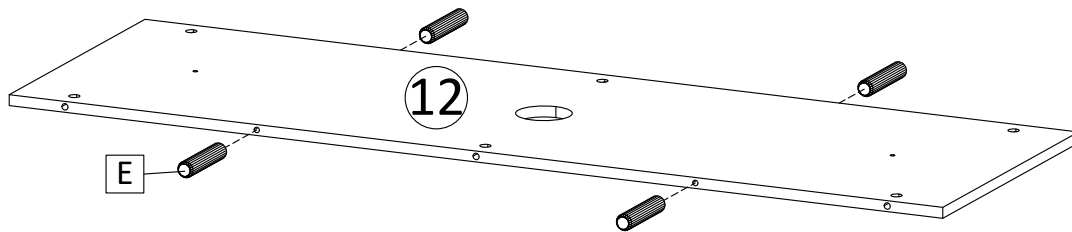
3



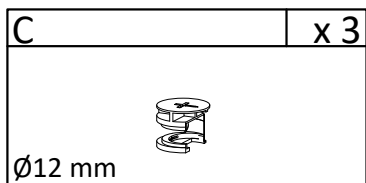
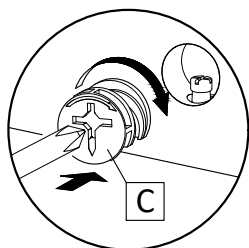
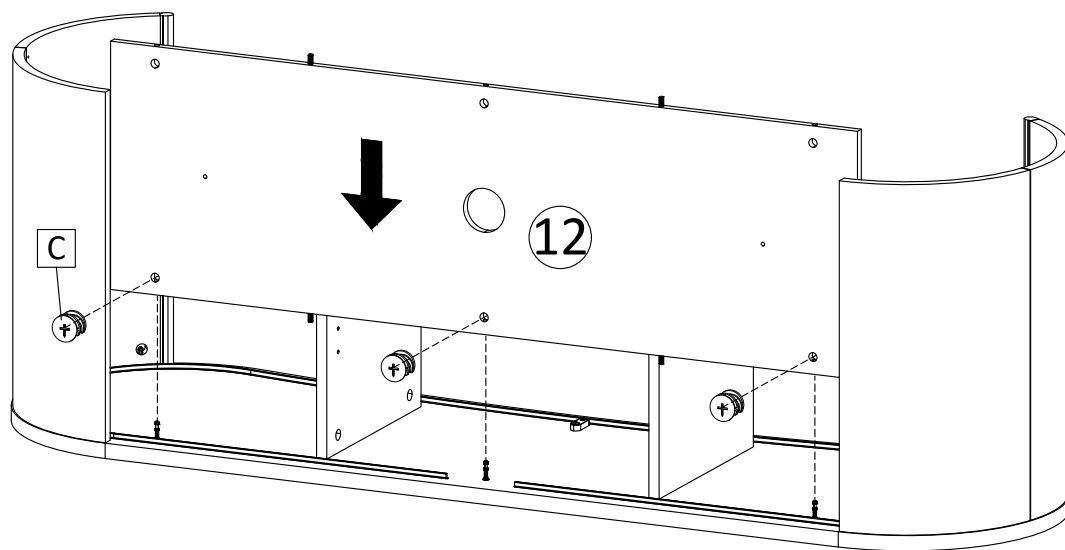
4

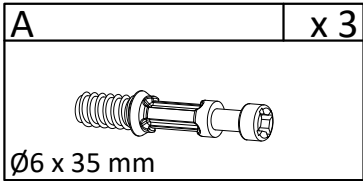
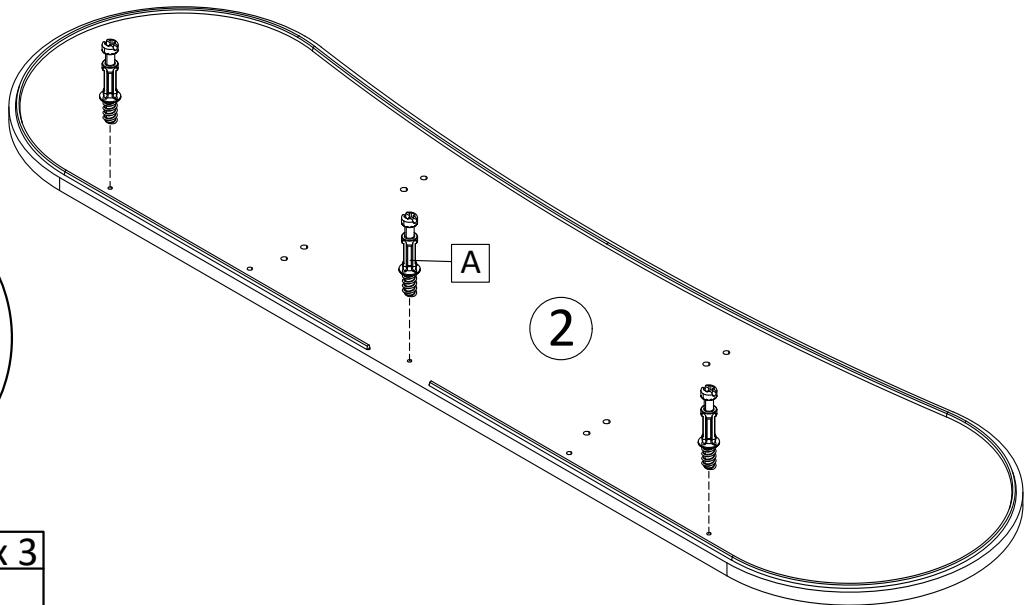
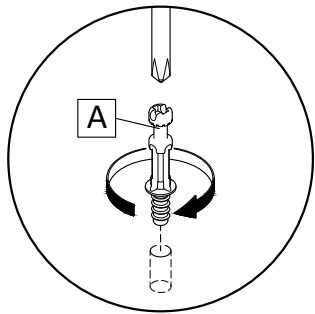
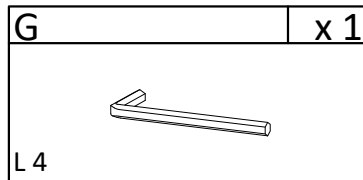
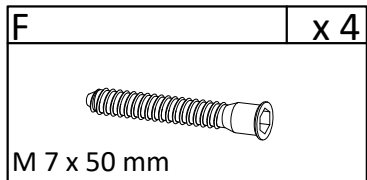
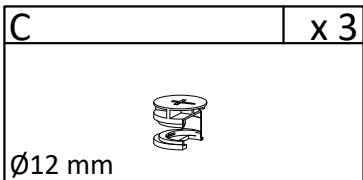
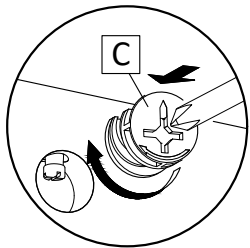
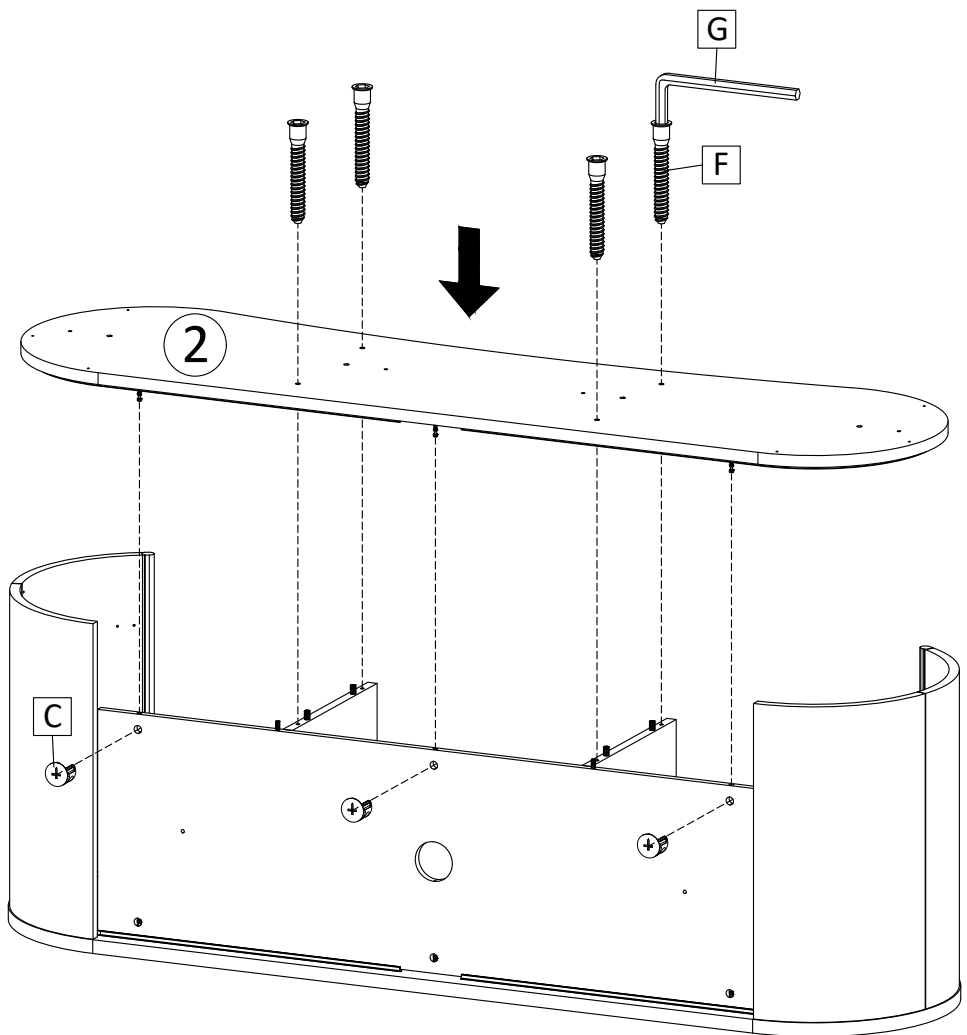
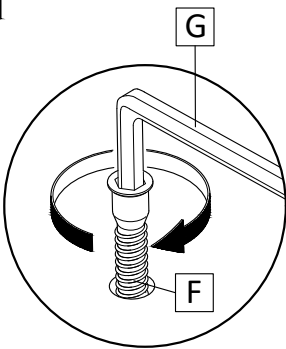


5

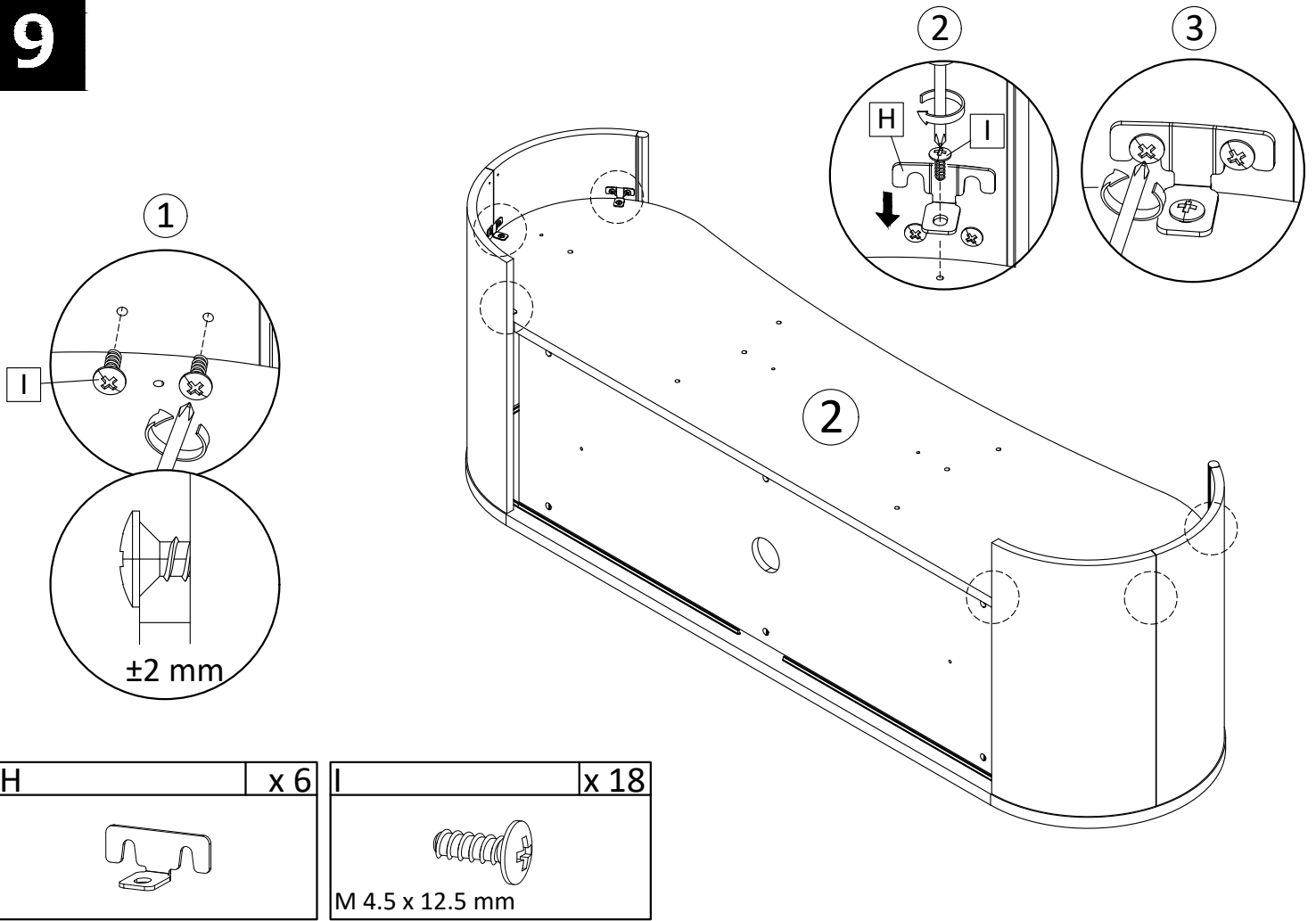


6

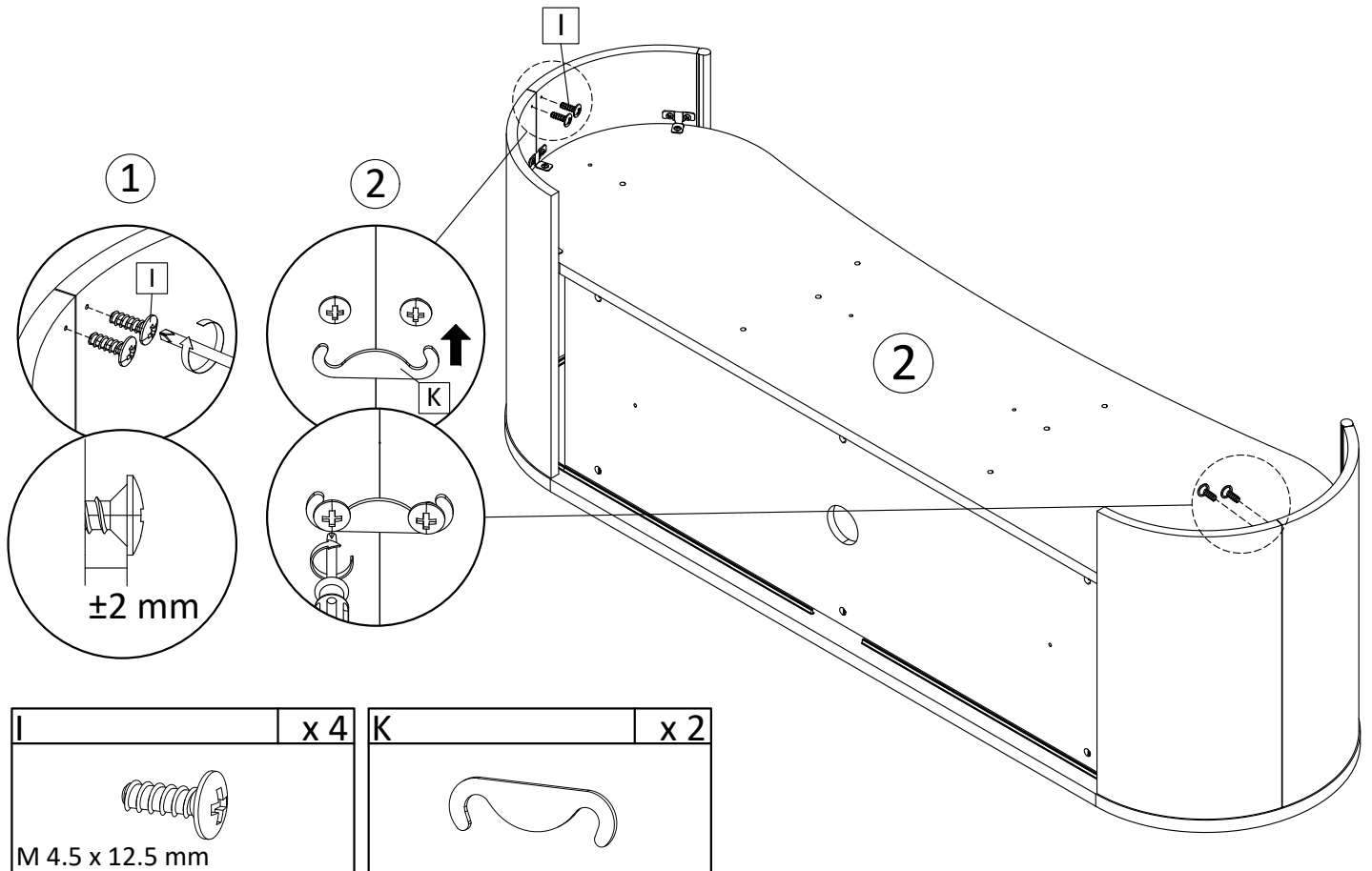


7**8**

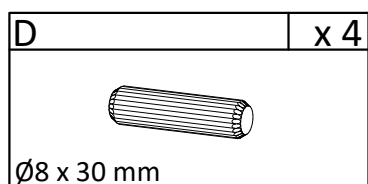
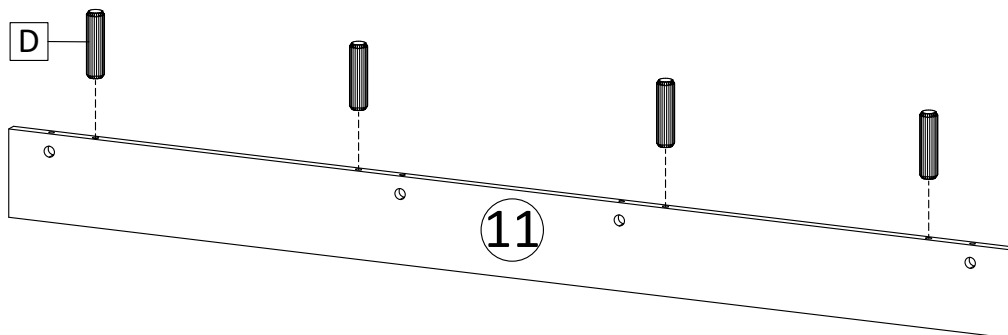
9



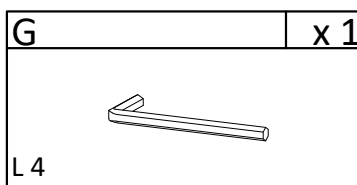
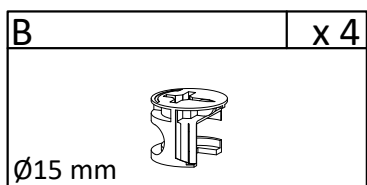
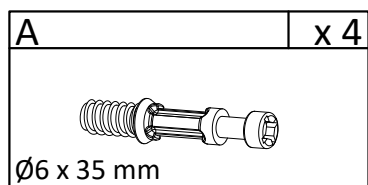
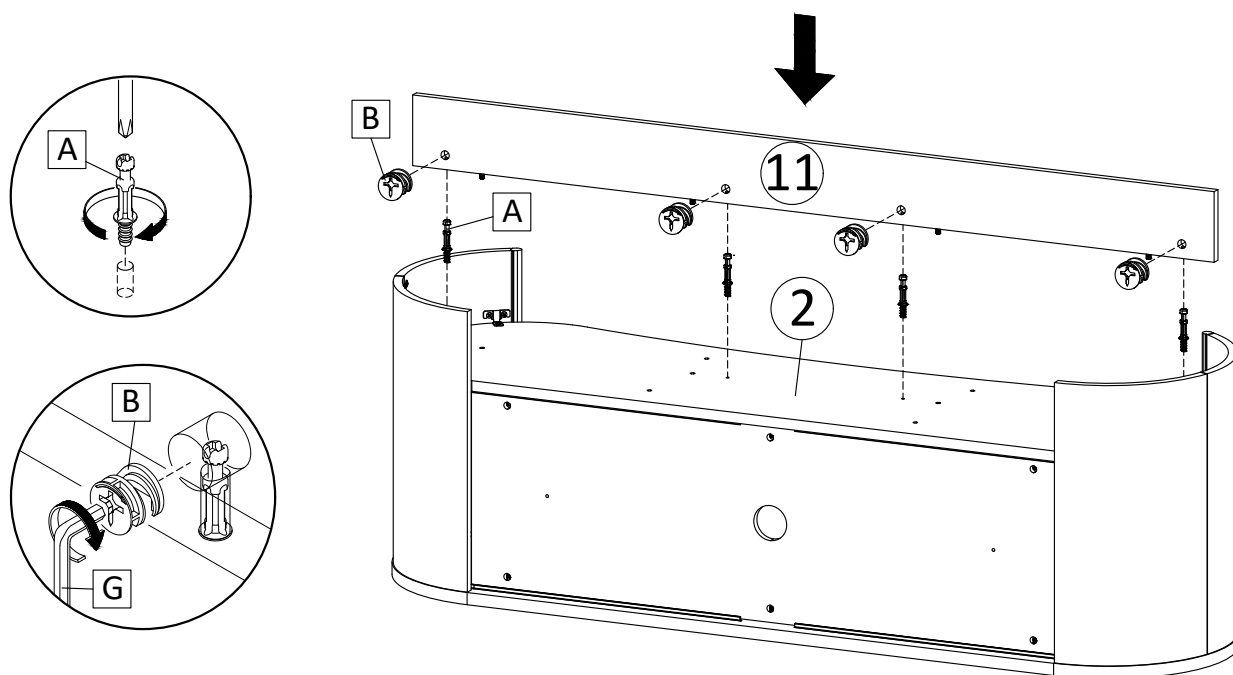
10



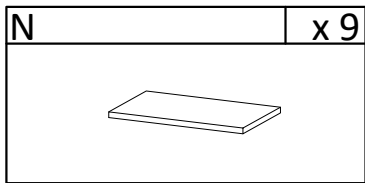
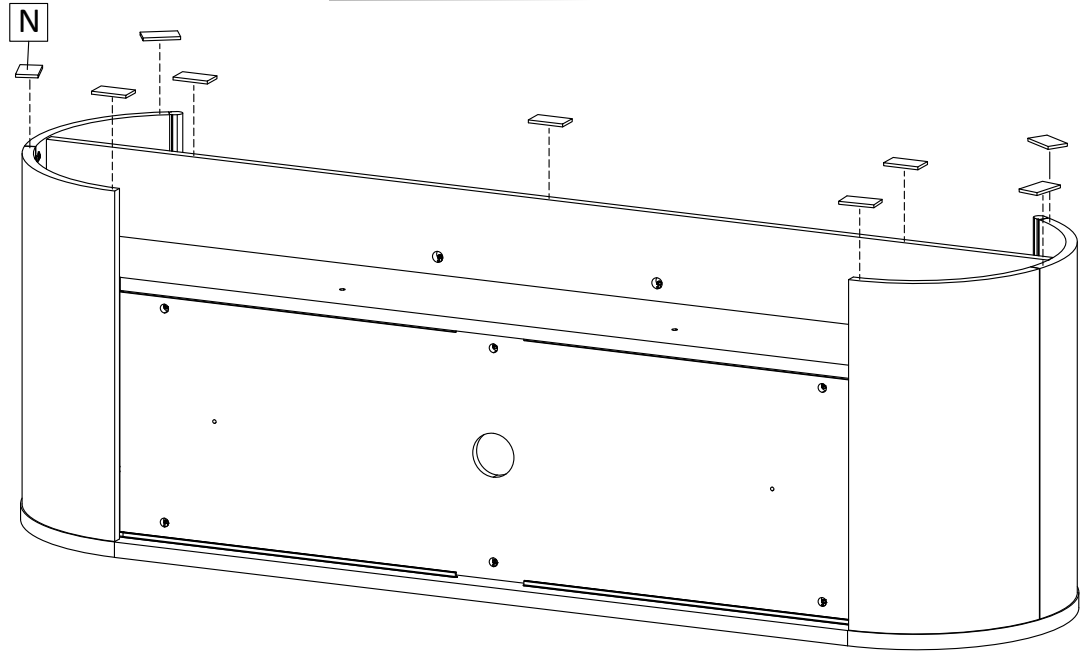
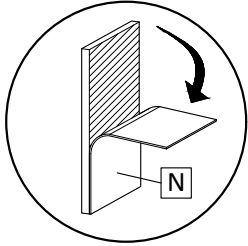
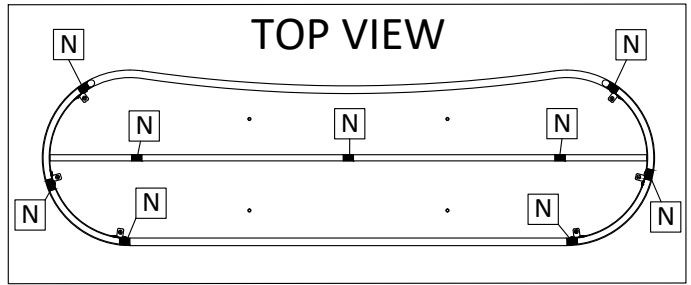
11



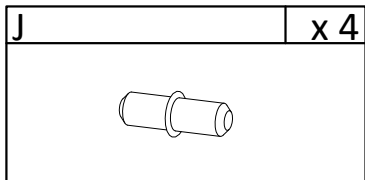
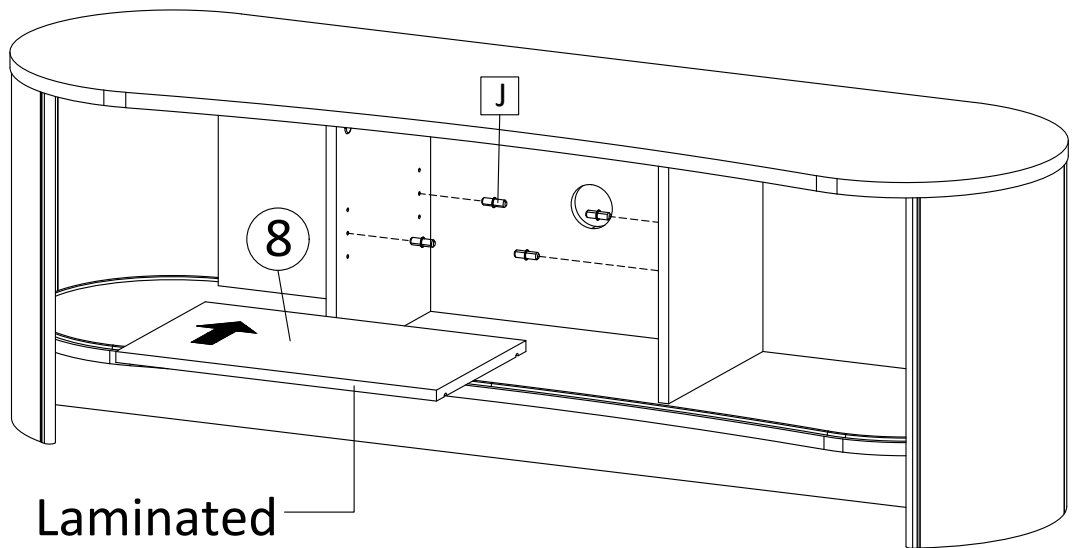
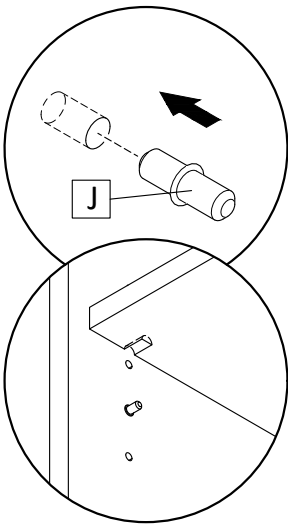
12



13

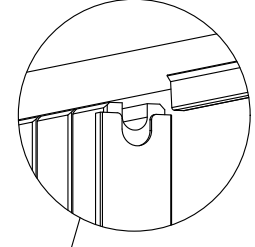
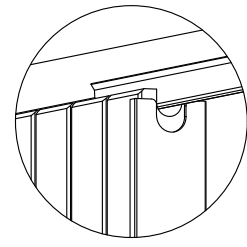
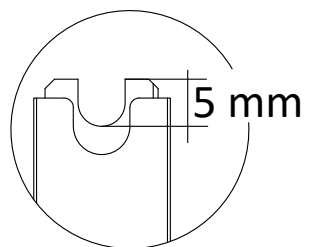


14



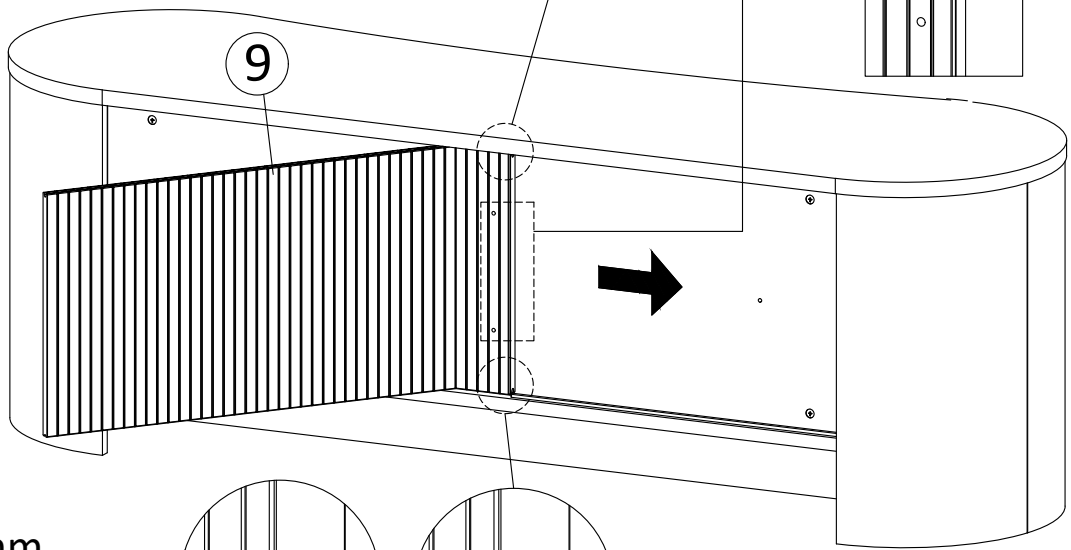
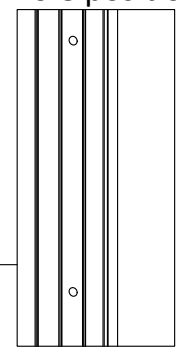
15

TOP

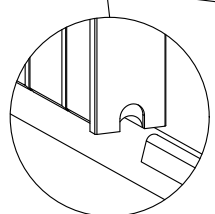
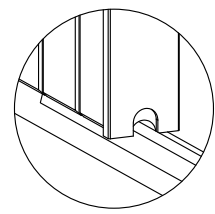
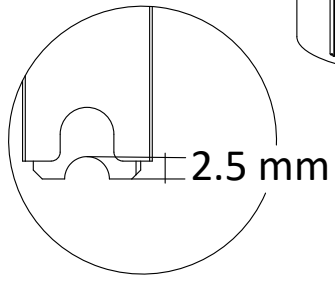


TOP

Take note hole position



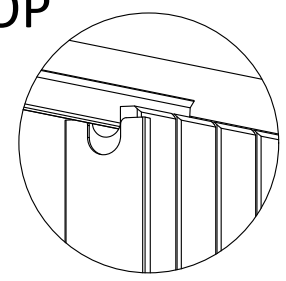
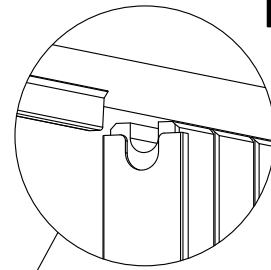
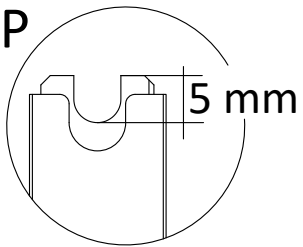
BOTTOM



BOTTOM

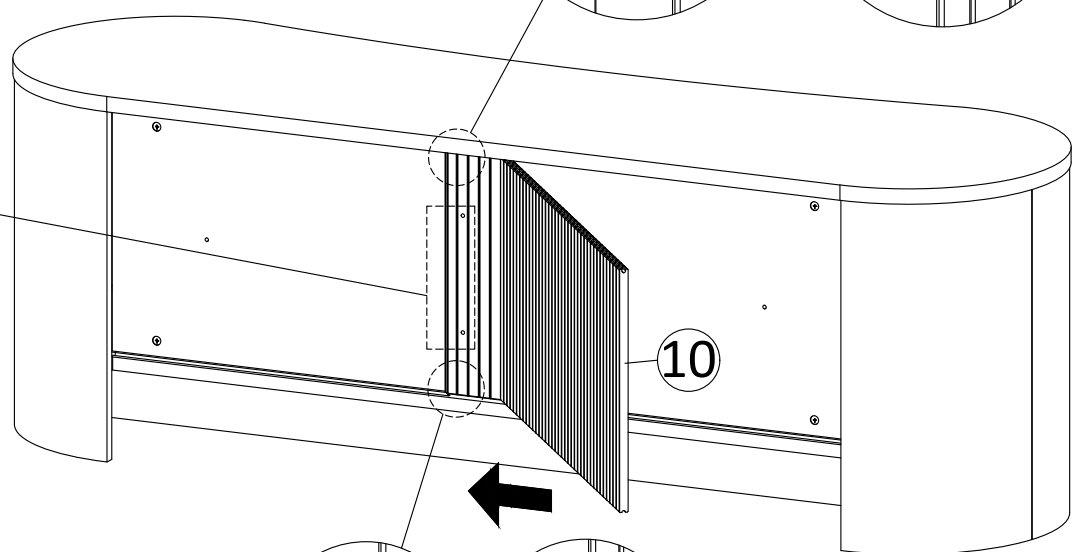
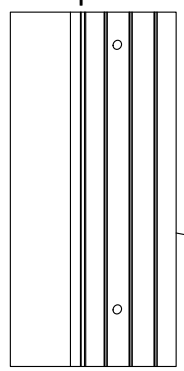
16

TOP

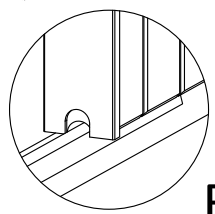
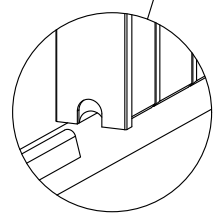
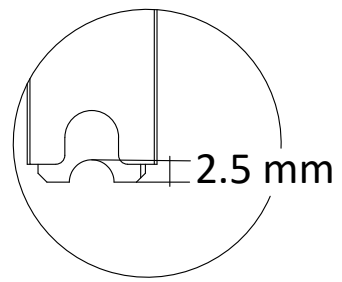


TOP

Take note hole position

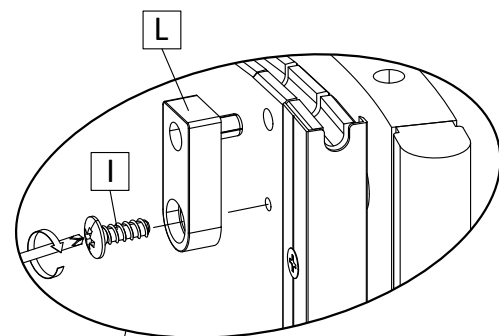
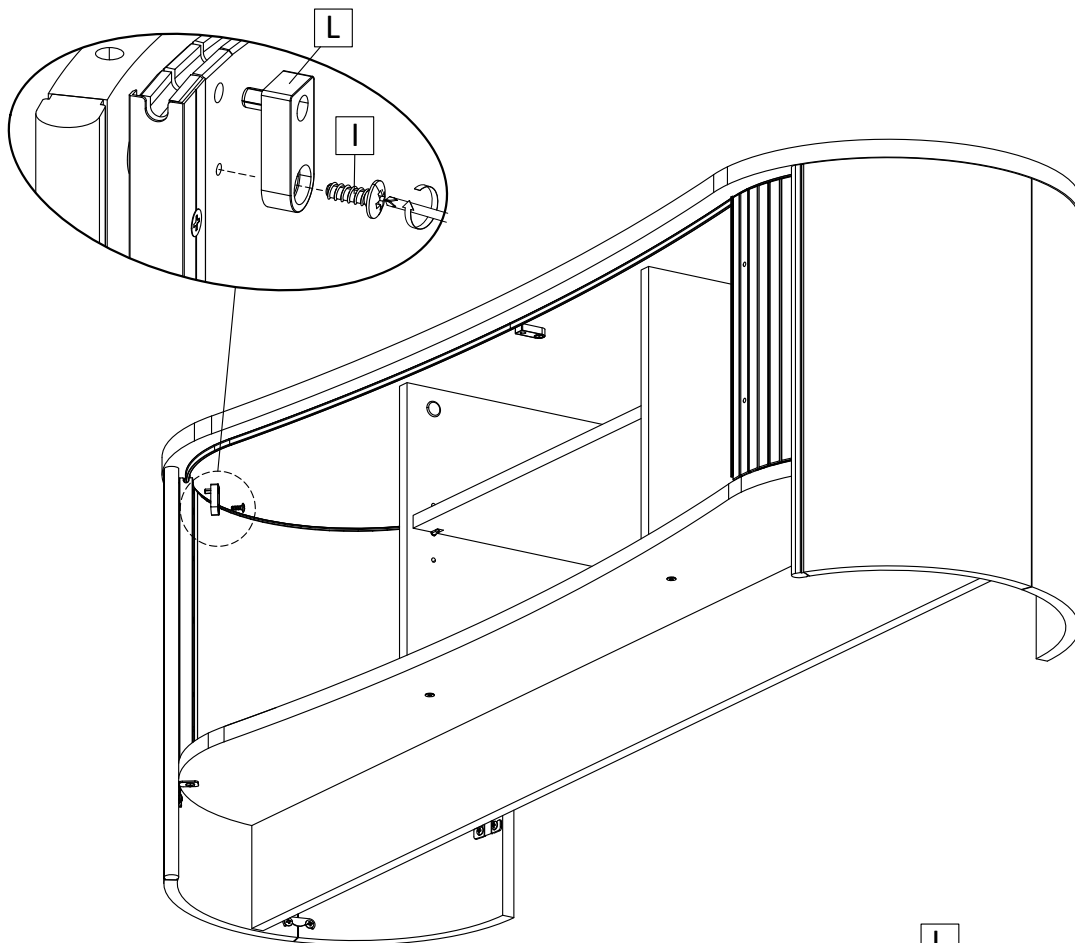


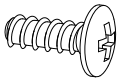
BOTTOM

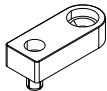


BOTTOM

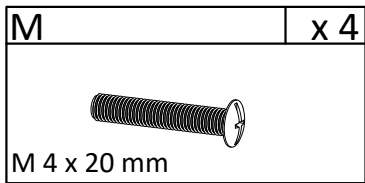
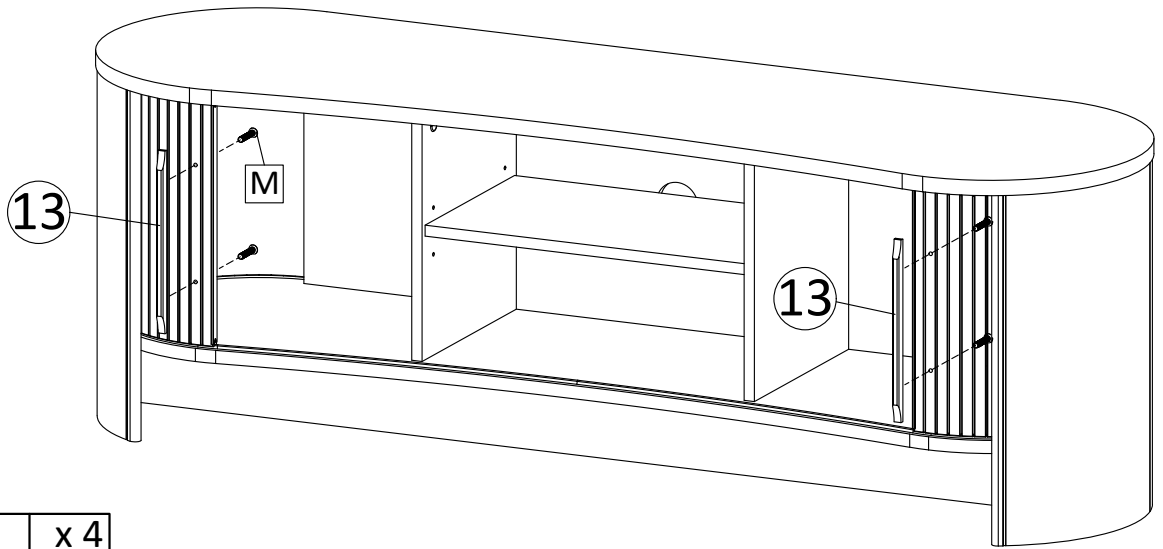
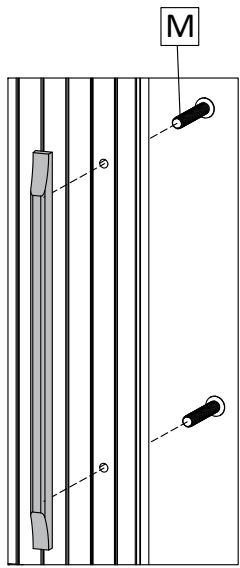
17



I	x 2
	
M 4.5 x 12.5 mm	

L	x 2
	

18



19

