

Thank you for choosing a product.

Your complete satisfaction is our top priority.

### **Customer Service and Warranty Information**

- **For Warranty Assistance:**

If you experience any issues or require additional information regarding your warranty, please do not contact the place of purchase. Instead, reach out directly to our Customer Service Team.

- **Warranty Coverage:**

Warrants its products to the original purchaser against defects in materials or workmanship. A defect is defined as any flaw that impairs the normal use of the product. This warranty is limited to the replacement of defective parts or components and is valid for one (1) year from the date of purchase.

- **Warranty Limitations:**

This warranty covers products used under normal household conditions. It does not apply to furniture used outdoors or damage resulting from improper assembly or disassembly, product modification, intentional damage, accidents, misuse, exposure to elements, or any labor or assembly costs.

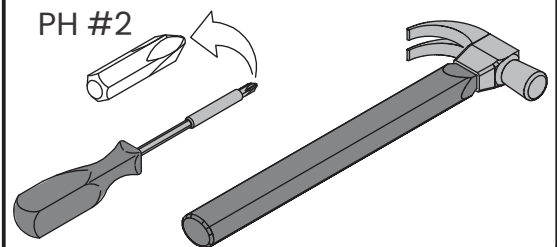
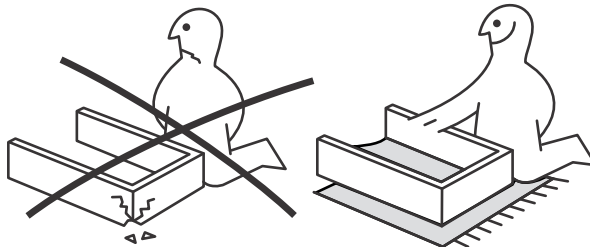
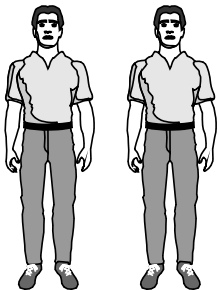
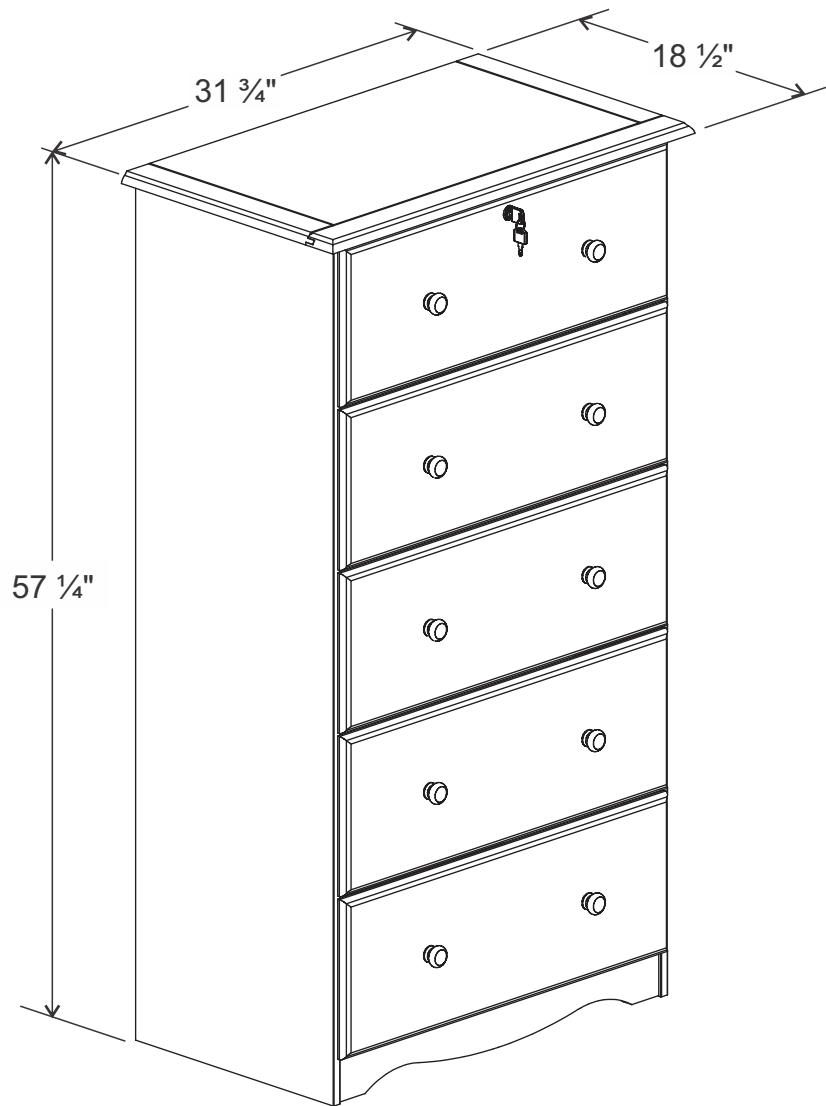
- **Additional Terms:**

We reserve the right to require proof of purchase to process any warranty claim. We are not liable for any incidental or consequential damages resulting from the misuse of our products.

# ASSEMBLY GUIDE

## 5-DRAWER SUPER JUMBO CHEST

Compliant with Federal Law STURDY Act (Stop Tip-overs of Unstable, Risky Dressers on Youth). Passed 16 CFR 1262, ASTM F2057-23 Tests.



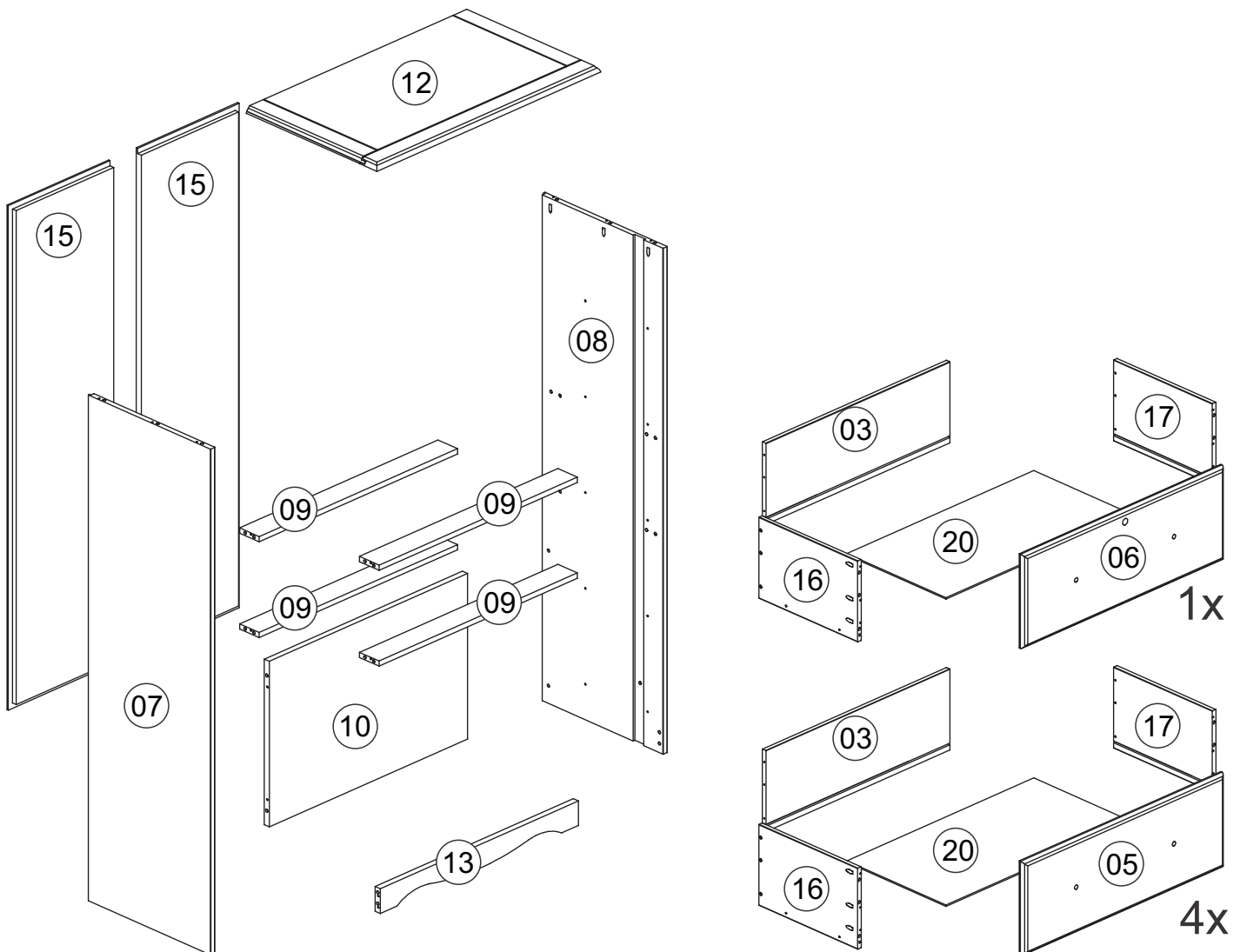
## Before You Begin Assembly

- Carefully inspect the package contents. A complete parts checklist is provided below.
- If any parts are missing or damaged, please contact us for assistance.


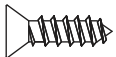
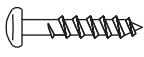
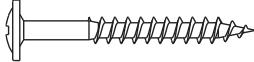


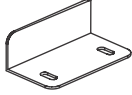
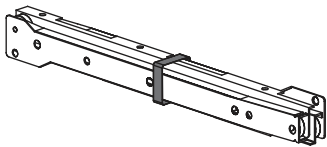
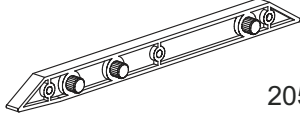
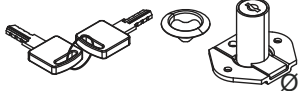

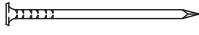

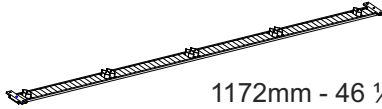
## Assembly Tips


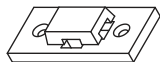

- Assemble the item on a flat, smooth surface. We recommend placing a blanket or protective covering underneath to prevent scratches.
- Use a power drill **only at a low-speed setting** to avoid damaging components.
- Assemble the product as close as possible to its final location to minimize the need for moving it later.
- Important: The hardware pack contains small parts that may pose a choking hazard.  
**Keep all small items out of reach of young children.**

## PARTS LAYOUT



Screws Are Illustrated at Actual Size for Accurate Reference

A1	 4,0x30	84+5
A4	 3,5x14	14+1
A9	 3,5x16	19+1
A41	 4,0x30	10+1
B31	 6,0x10	40+2
C2	 8,0x25	60+3
D3	 45x27x12	01
E13	 330mm - 13"	05
E14		05
E27	 205mm - 8"	05
F1	 Ø10x31mm	01
F2	 5mm	01
G1	 10x10	30
H1		10
I4	 1172mm - 46 1/4"	01

TIPOVER RESTRAINT KIT		
A47	 3,0x20	02+1
F8	 47x20x9	02
F15	 300mm	01

**WARNING:**  
**CHOKING HAZARD**

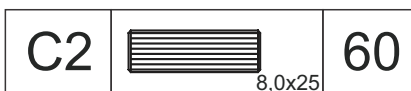
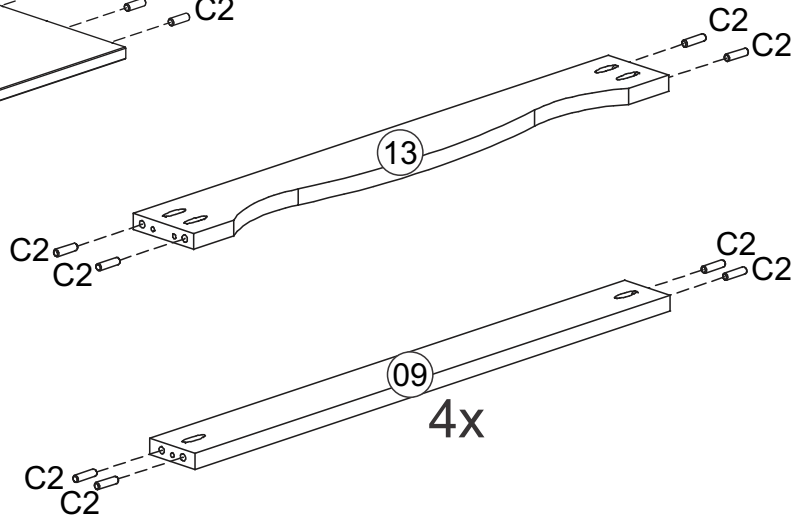
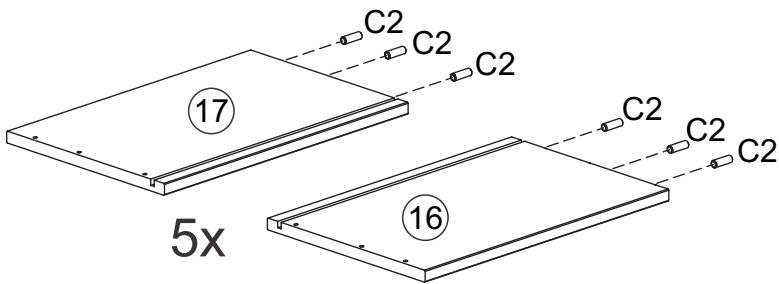
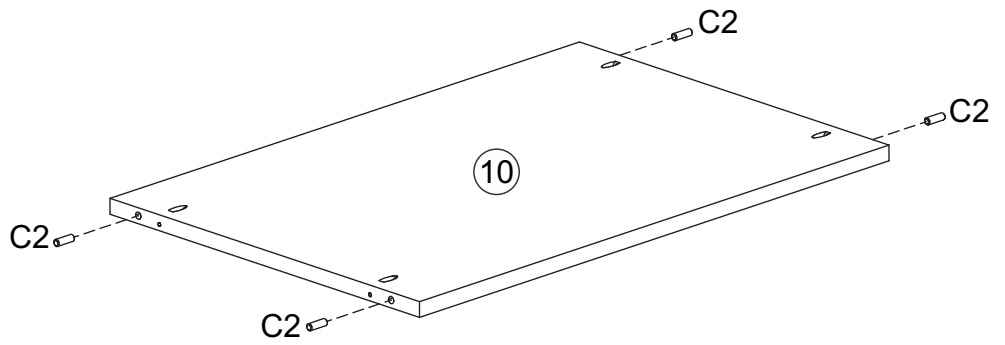
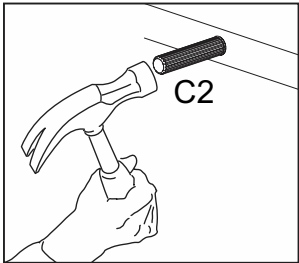
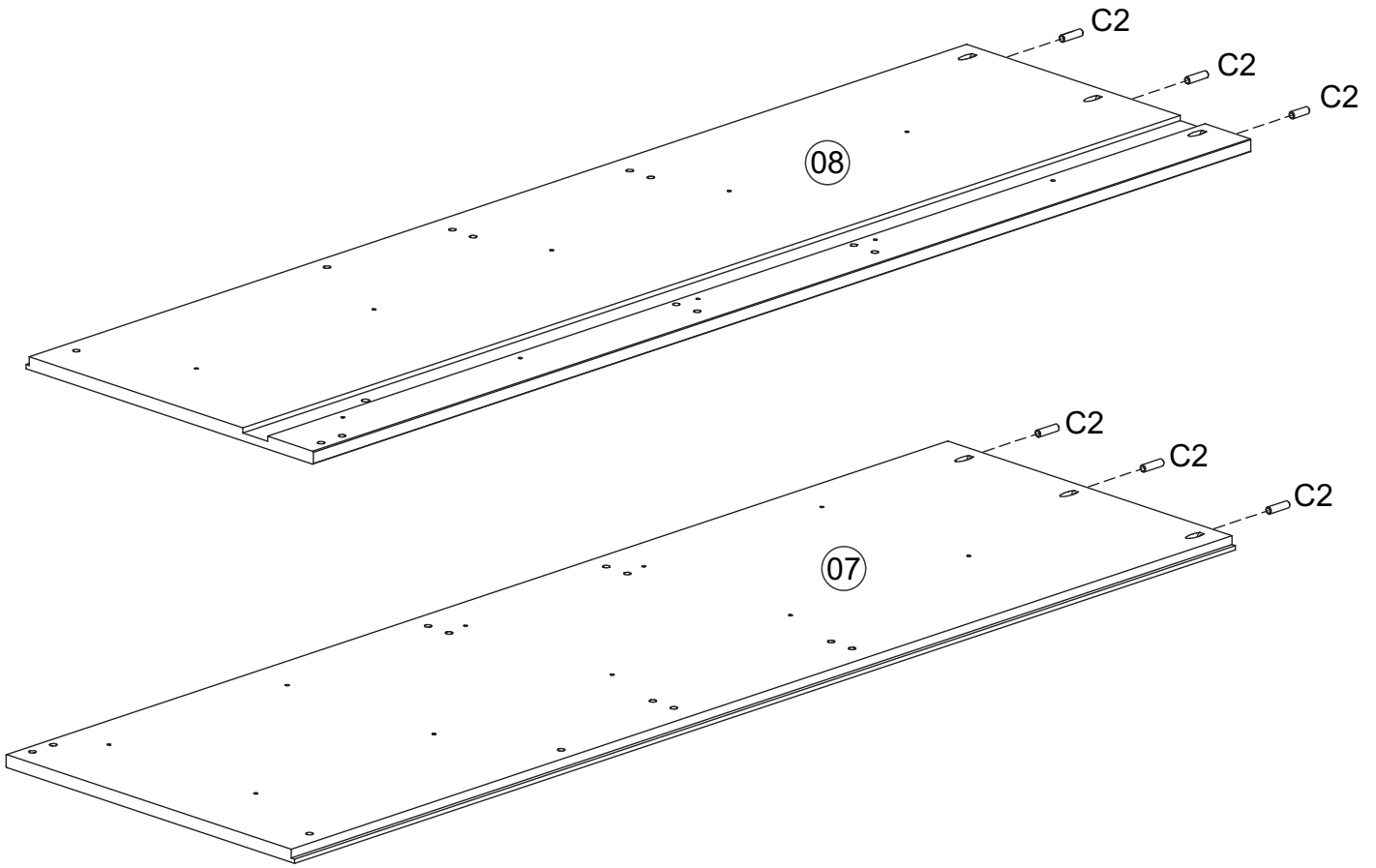
Contains small parts - choking hazard.  
Adult supervision is required during assembly.  
Not suitable for children under 3 years of age.

**WARNING:**

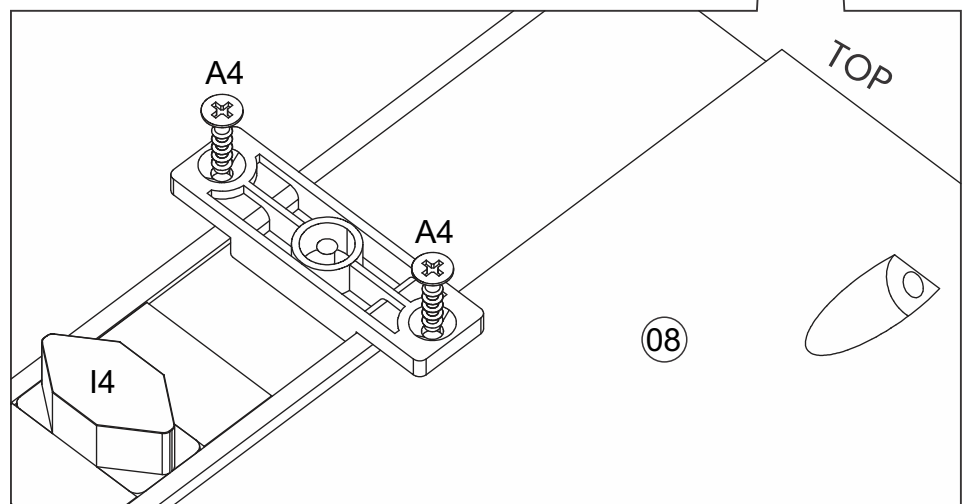
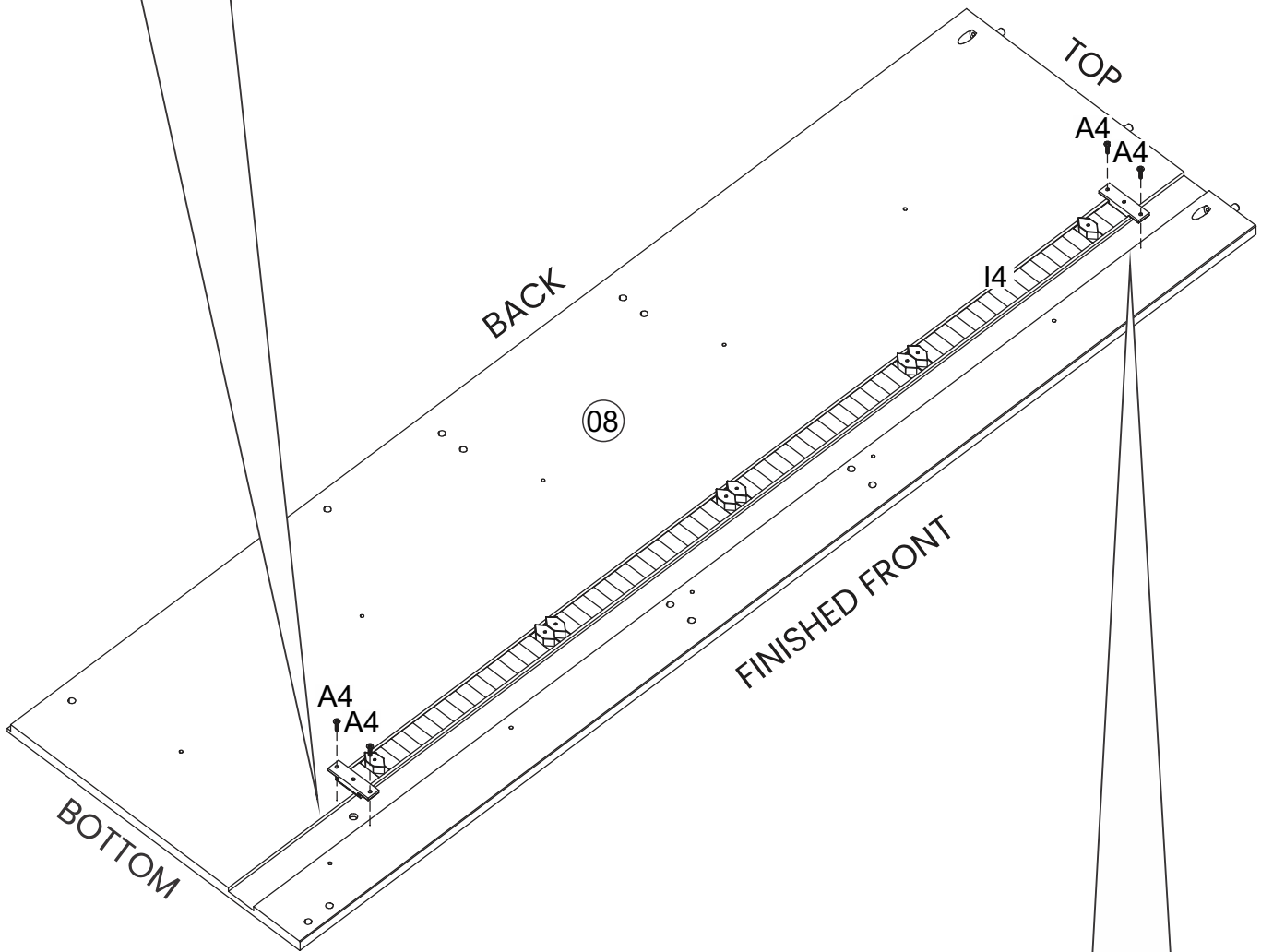
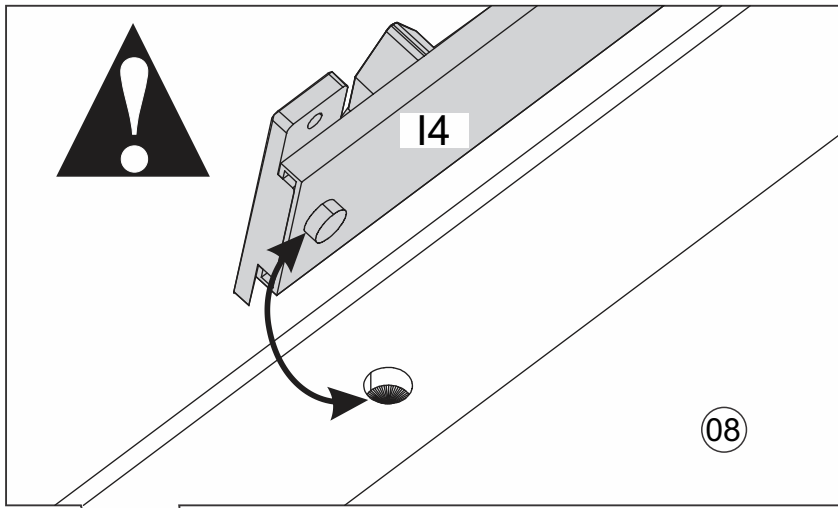
**Important Safety Notice:**



This furniture includes tip-over prevention hardware, which **MUST** be securely attached to the wall as outlined in the assembly instructions. Failure to do so may result in serious injury or death.

01)

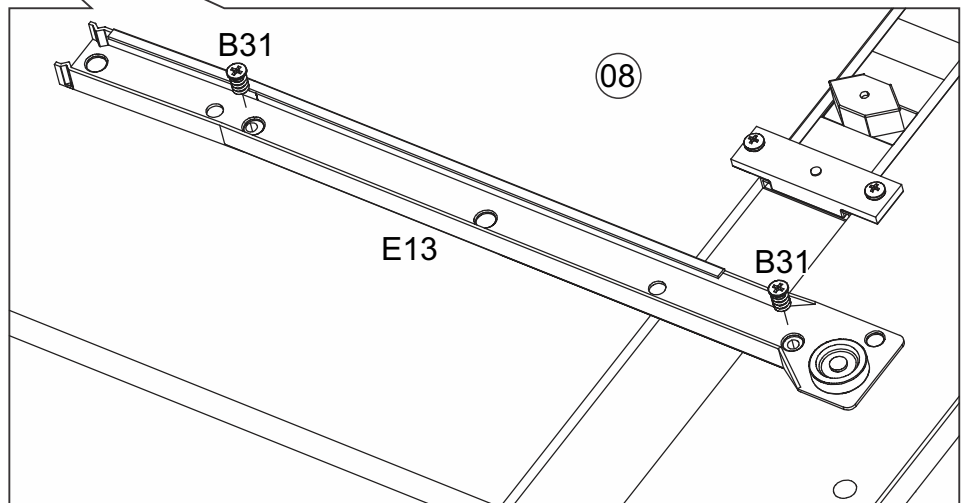
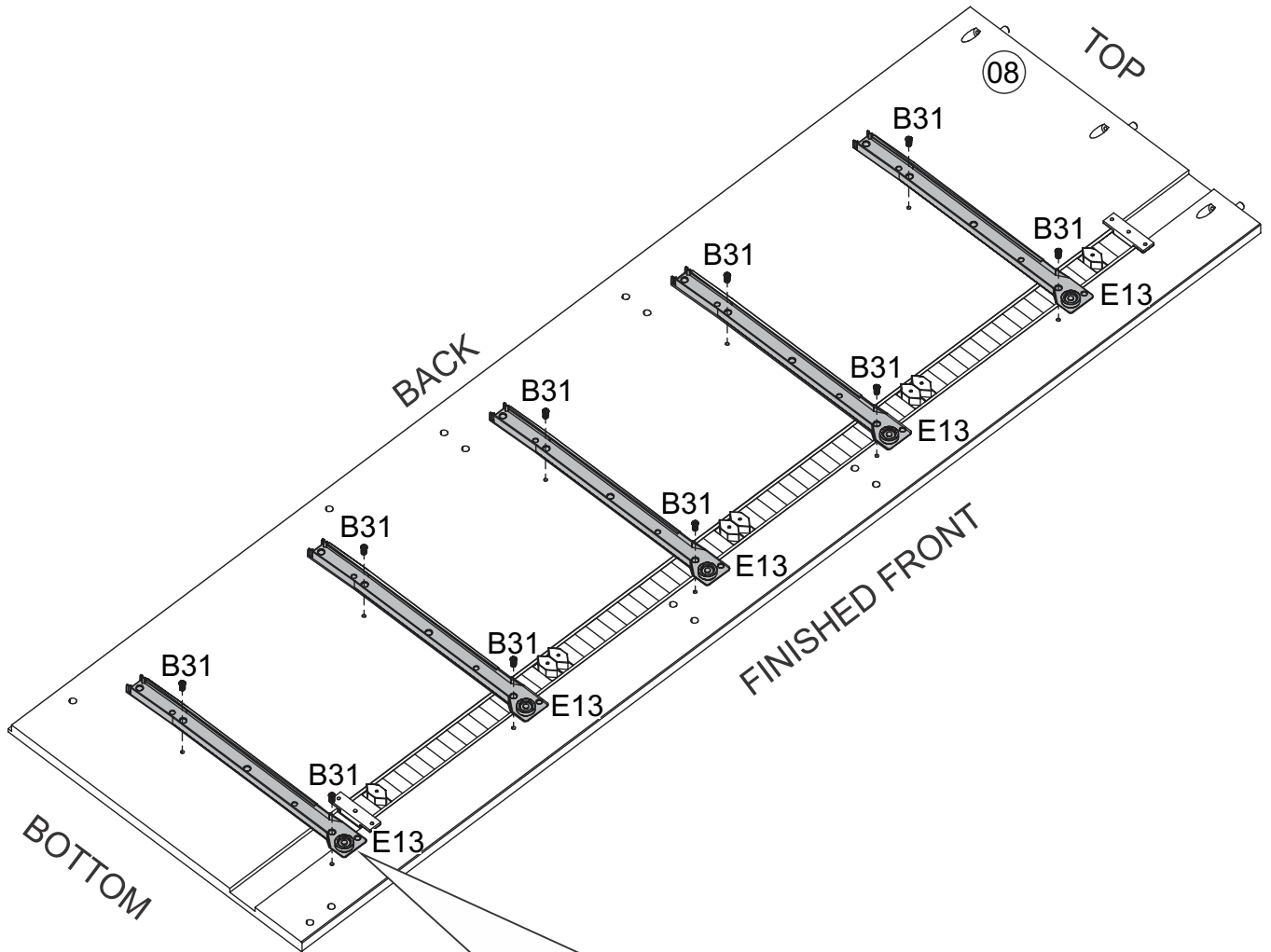
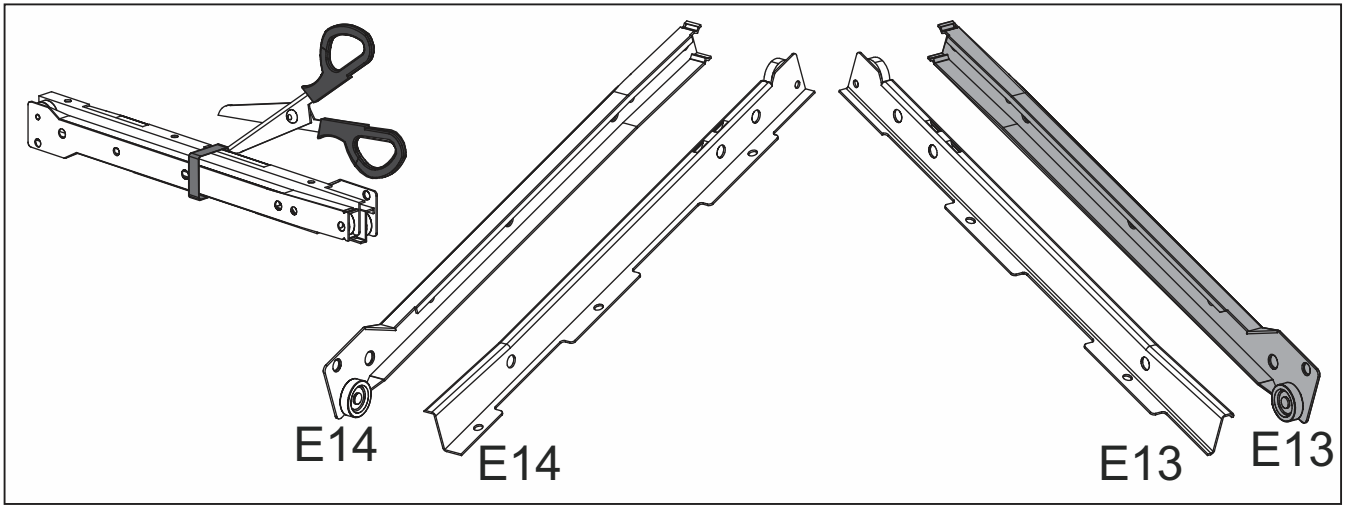



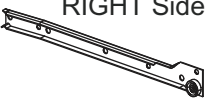
02)



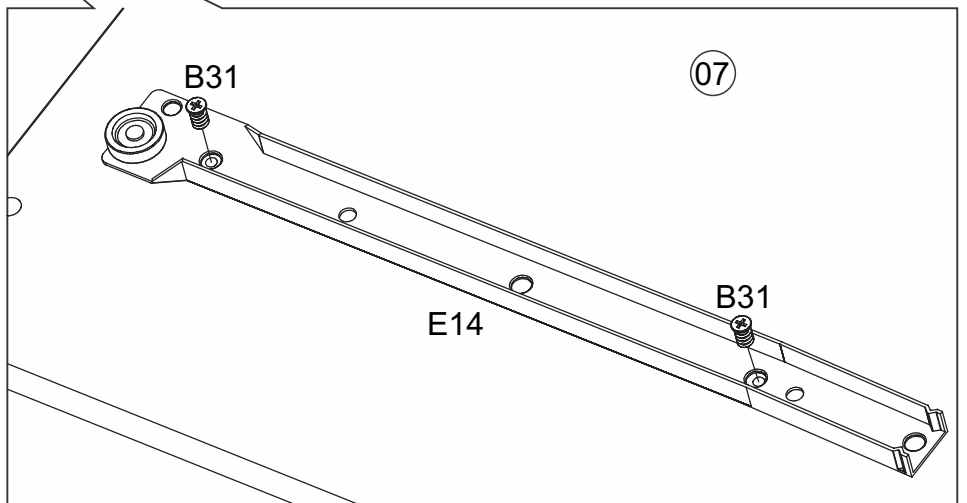
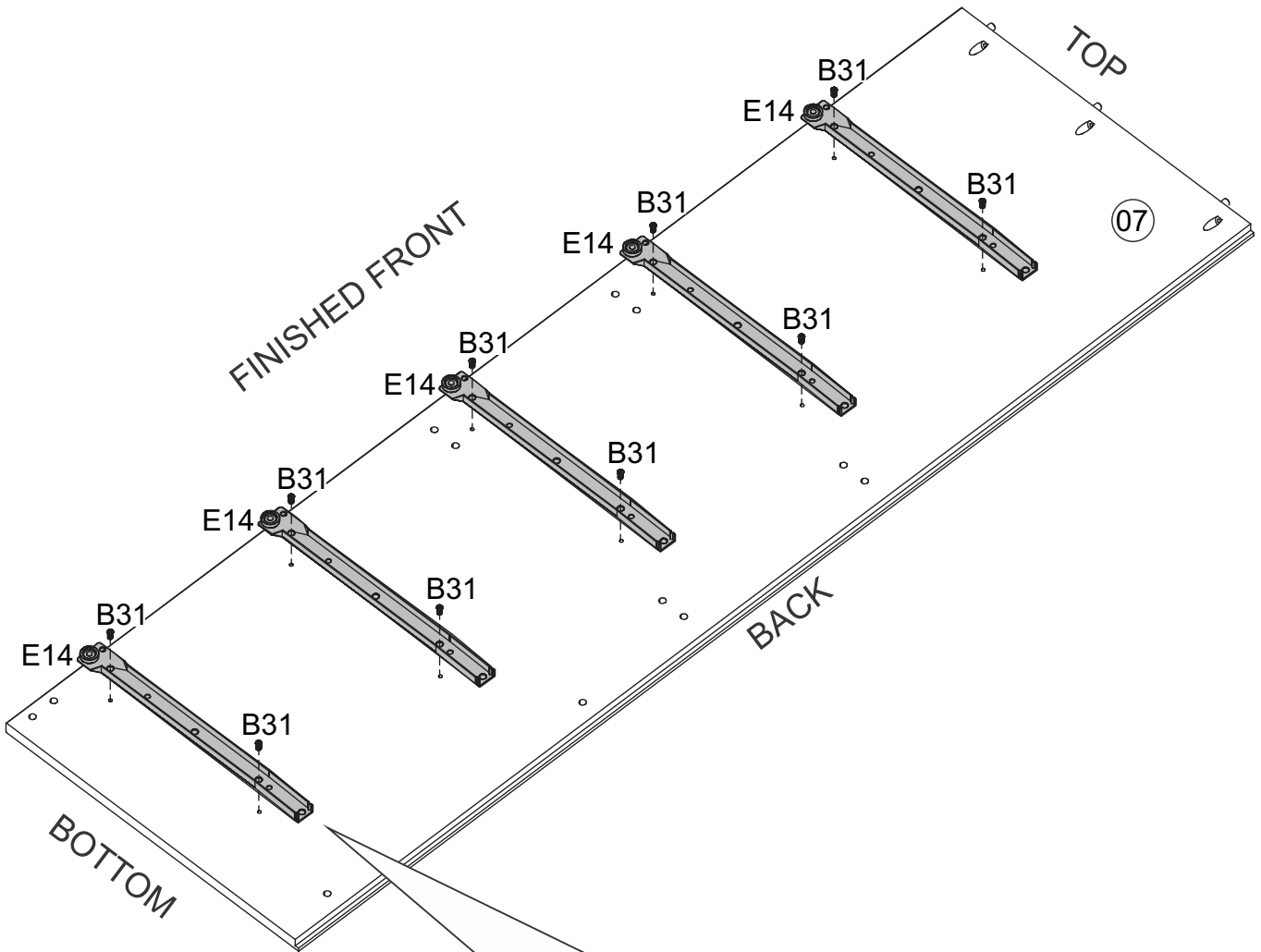
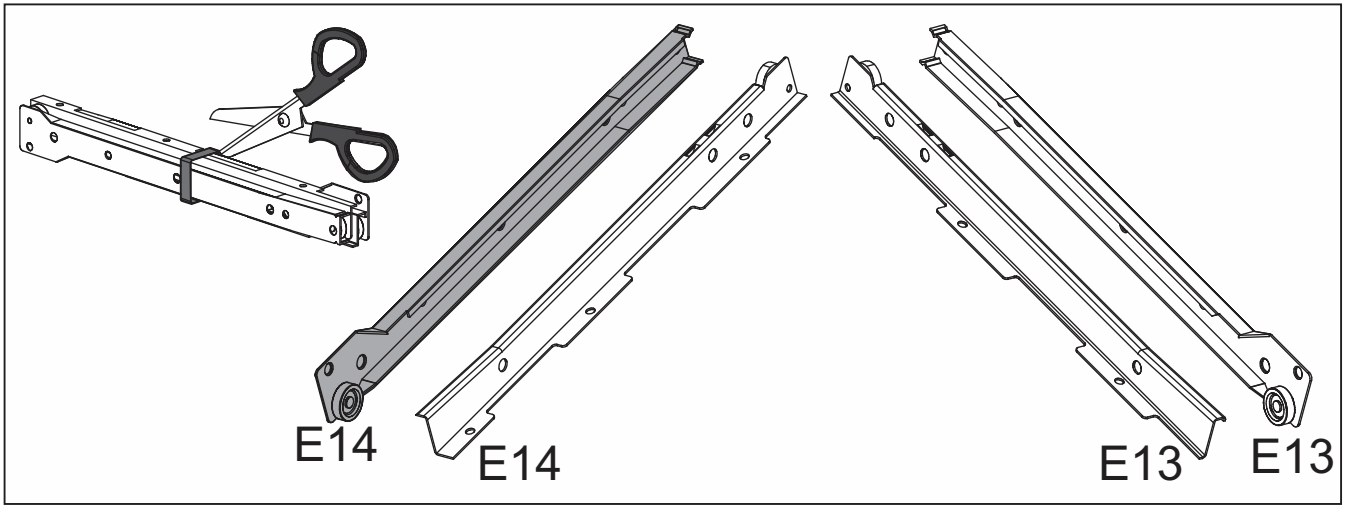
A4	 3,5x14	04
I4		01


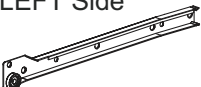
03)



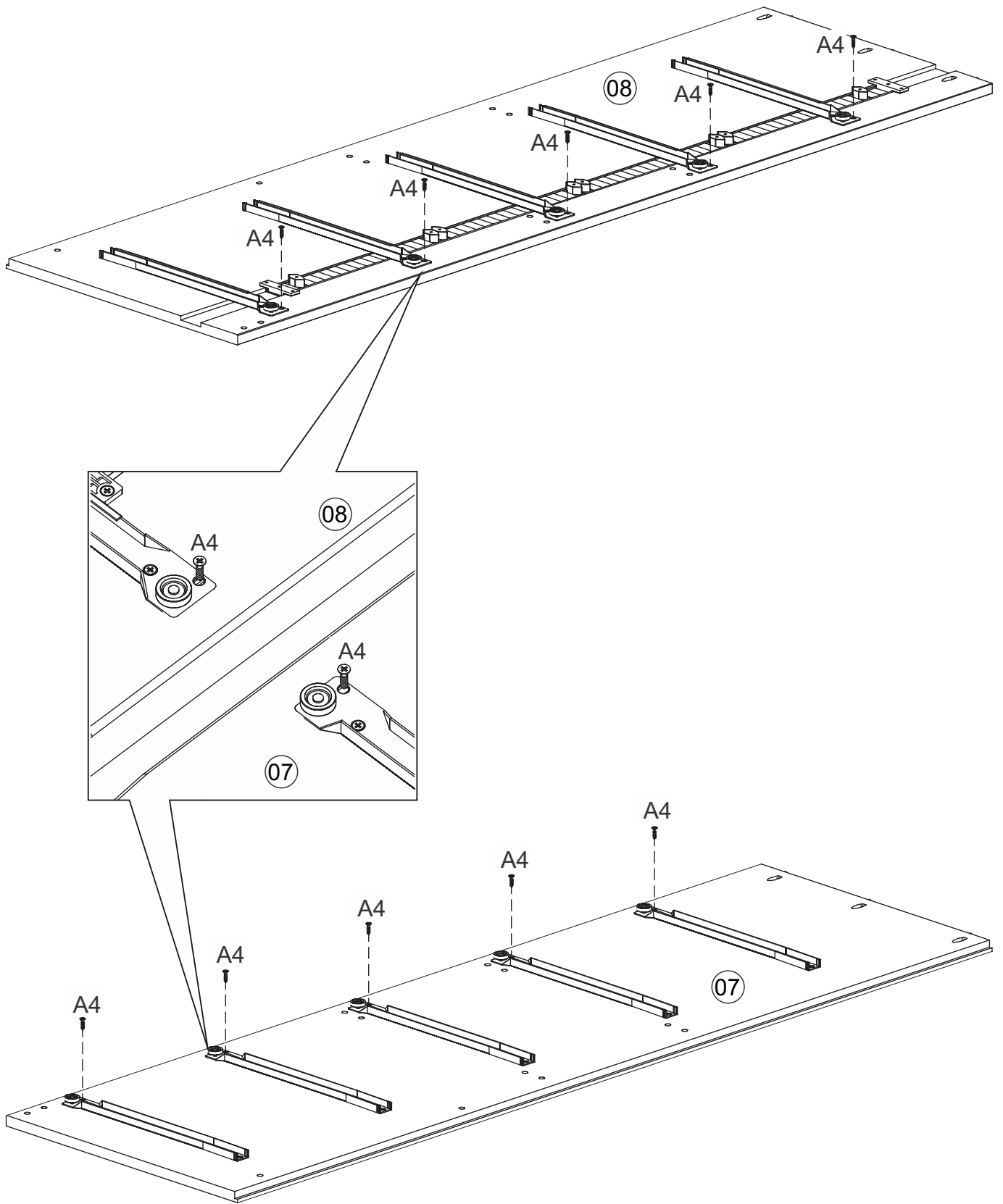
B31	 6,0x10	10
E13	 RIGHT Side	05


04)



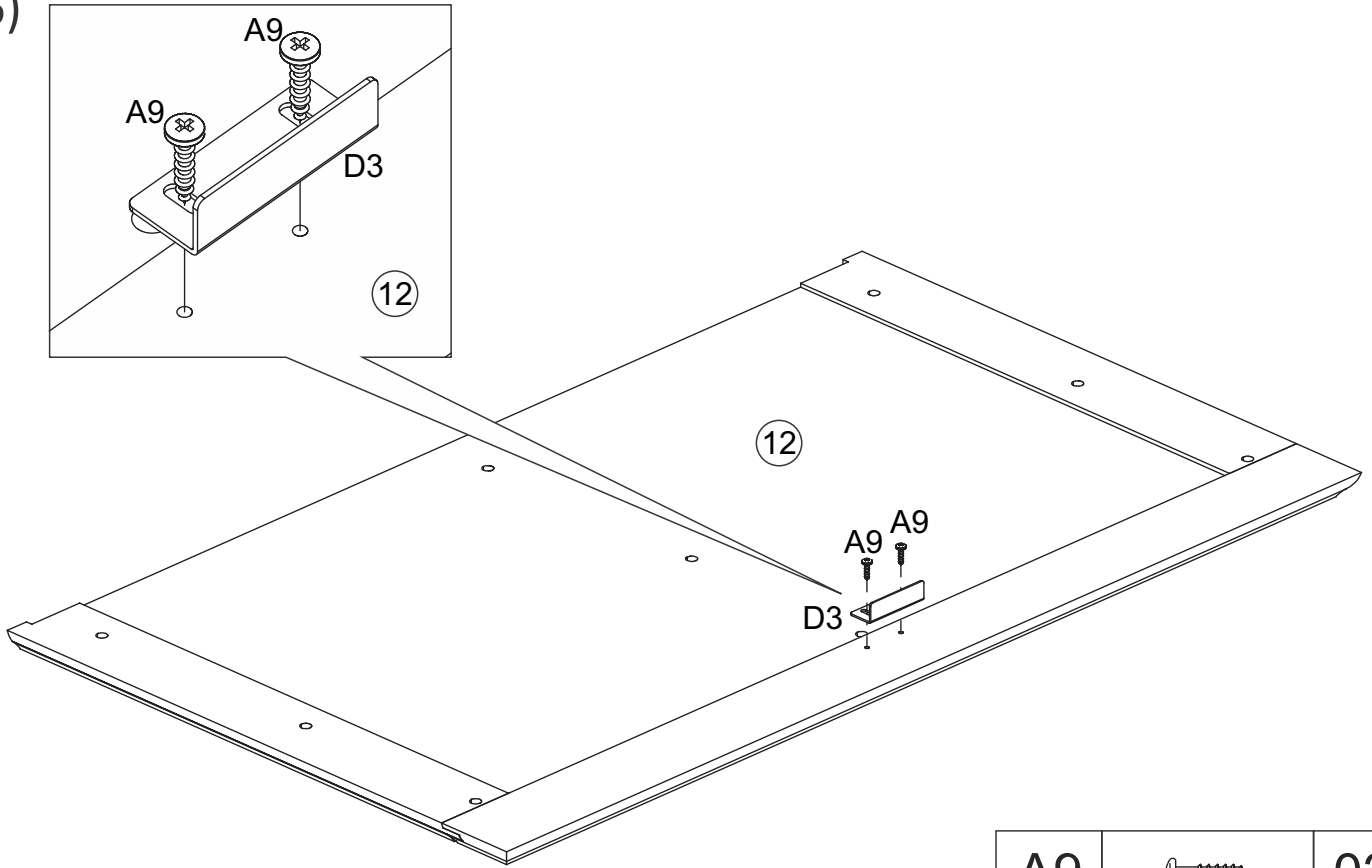
B31	 6,0x10	10
E14	LEFT Side 	05

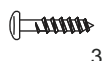

05)



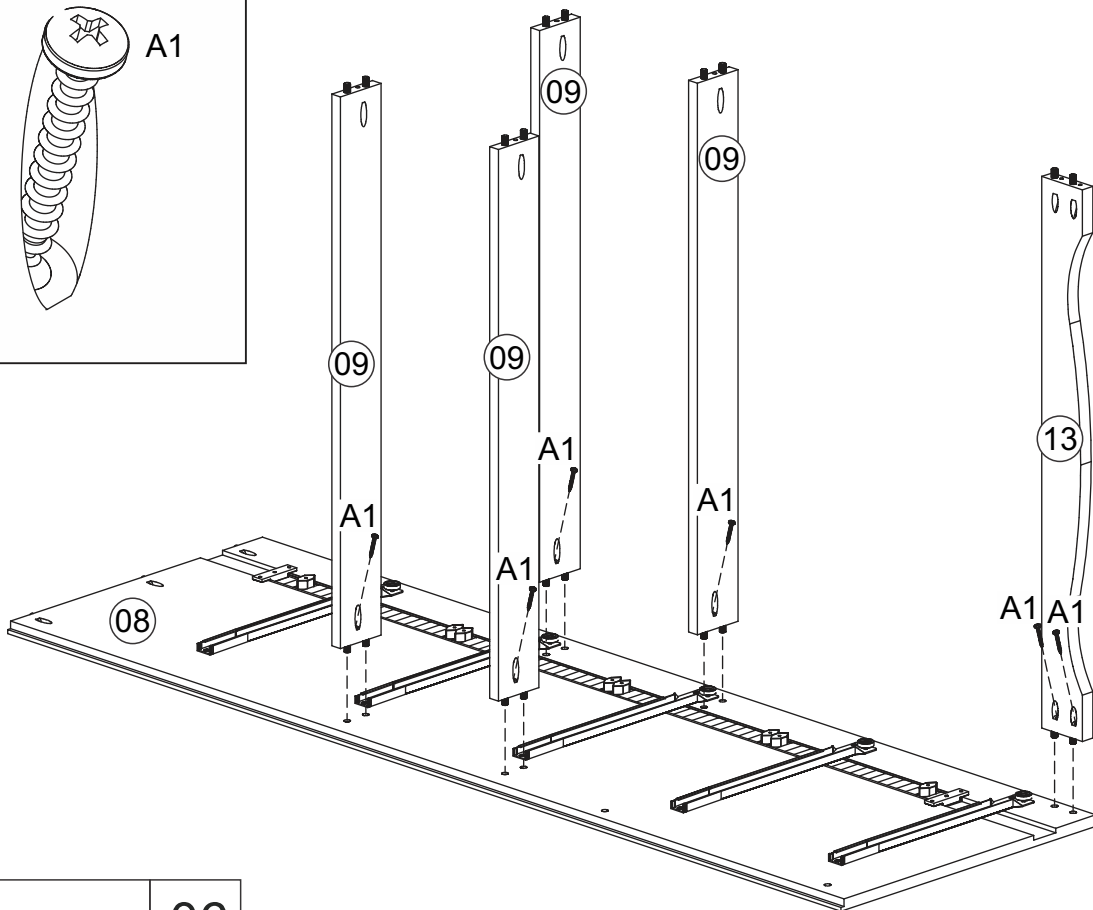
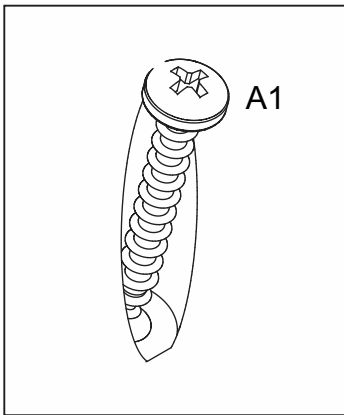
A4	 3,5x14	10
----	---	----

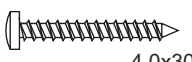
06)



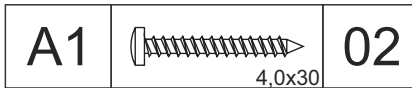
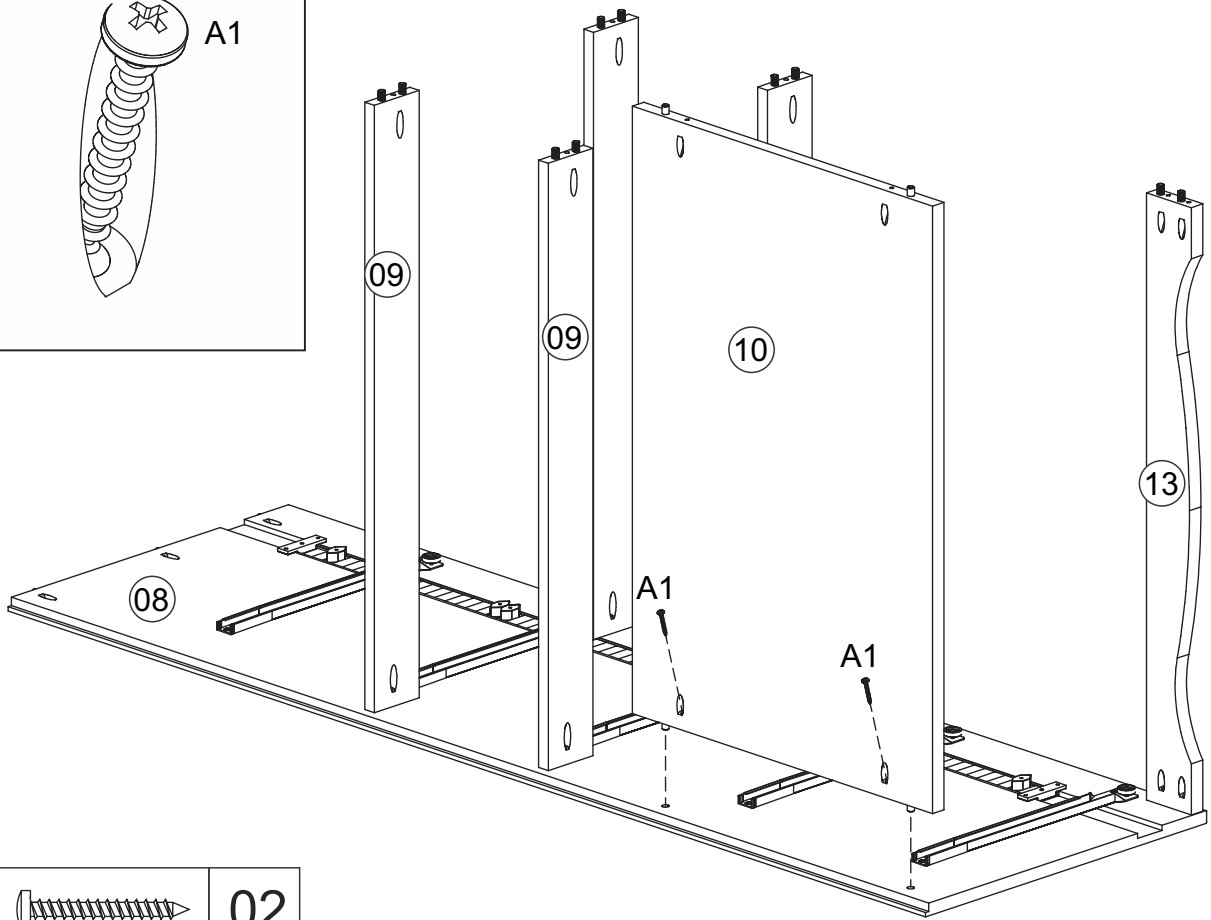
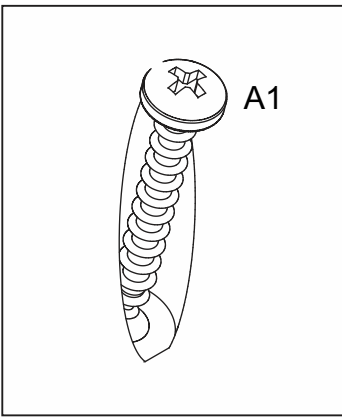
A9	 3,5x16	02
D3		01

07)

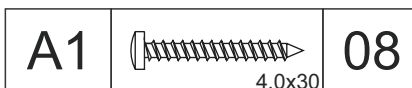
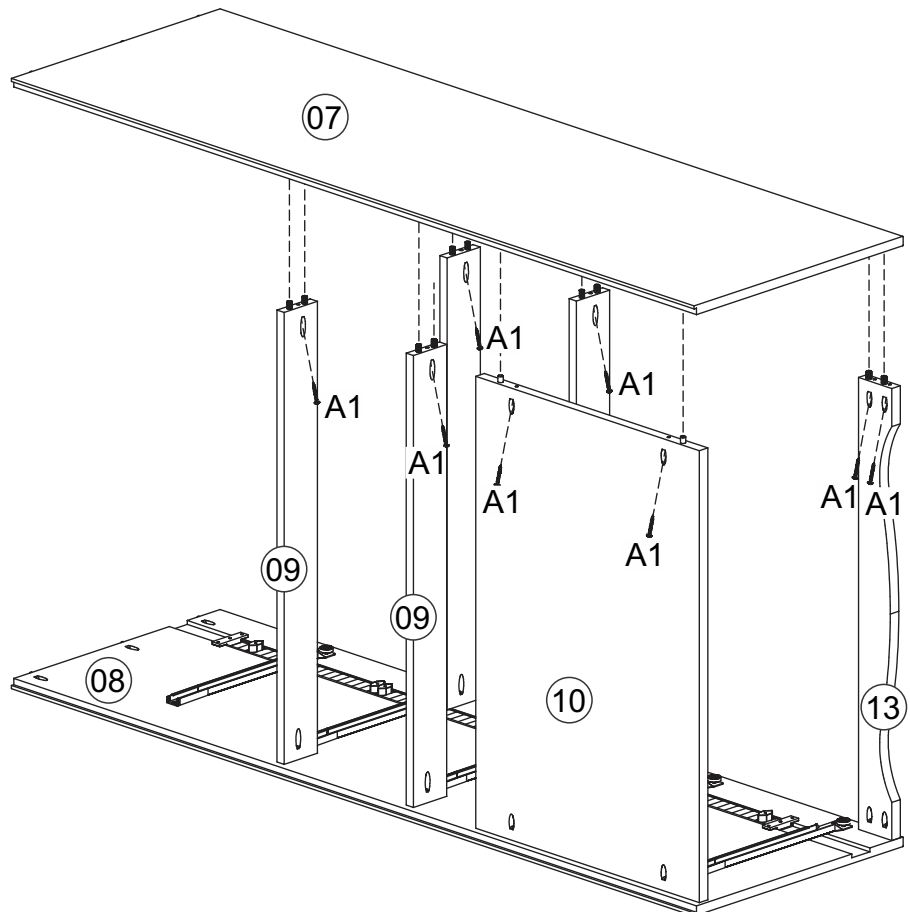
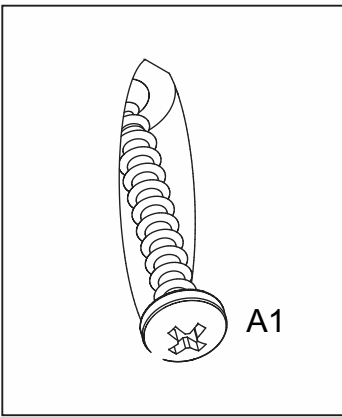


A1	 4,0x30	06
----	---	----

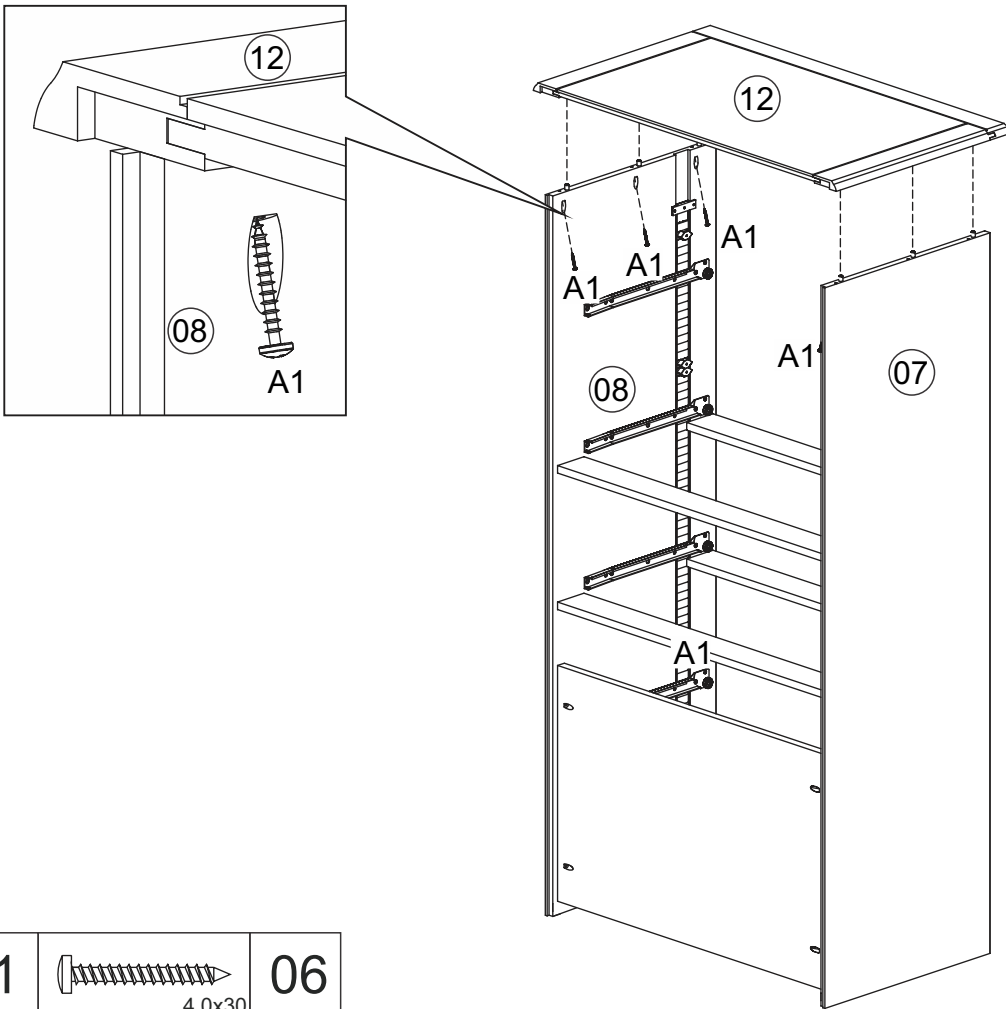
08)




09)

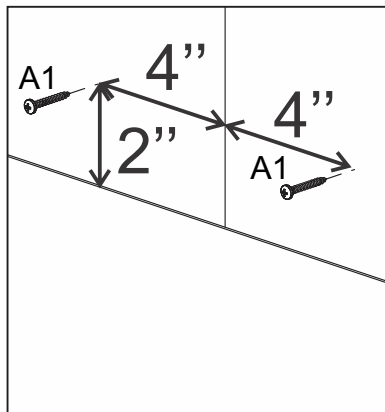
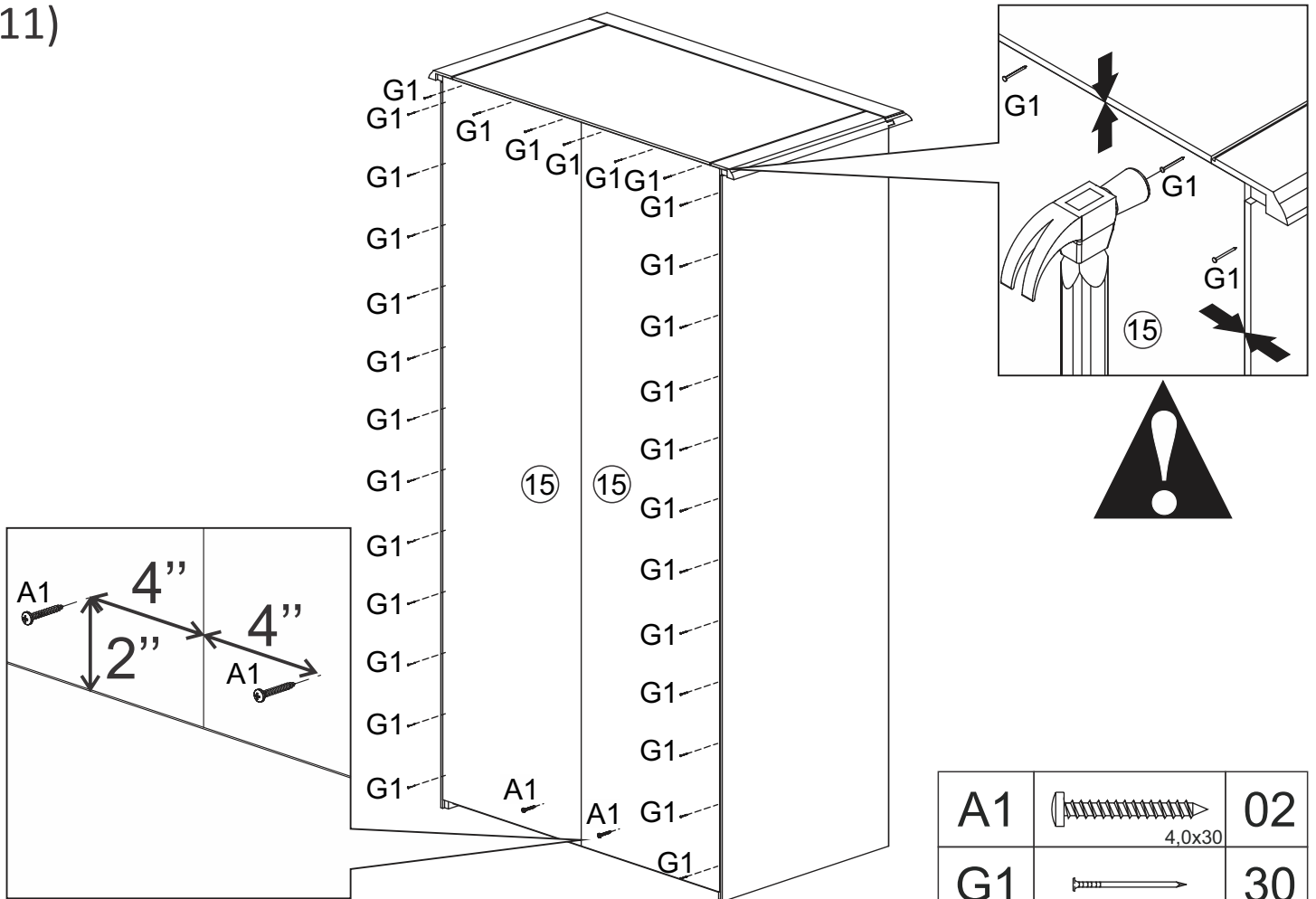


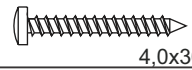

10)



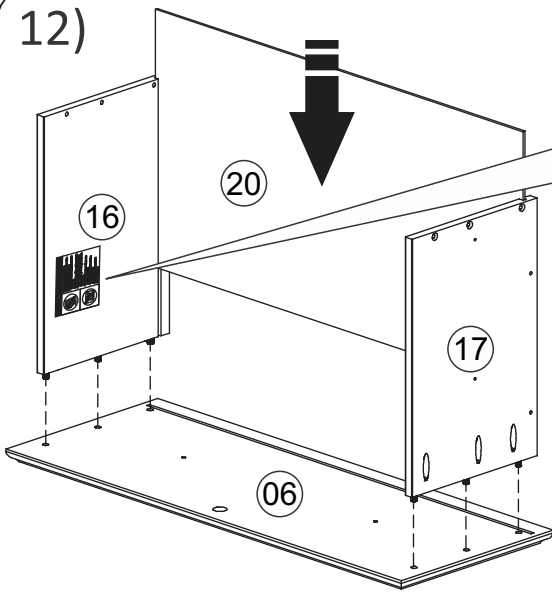
A1		06
	4,0x30	

11)



A1		02
	4,0x30	
G1		30
	10x10	

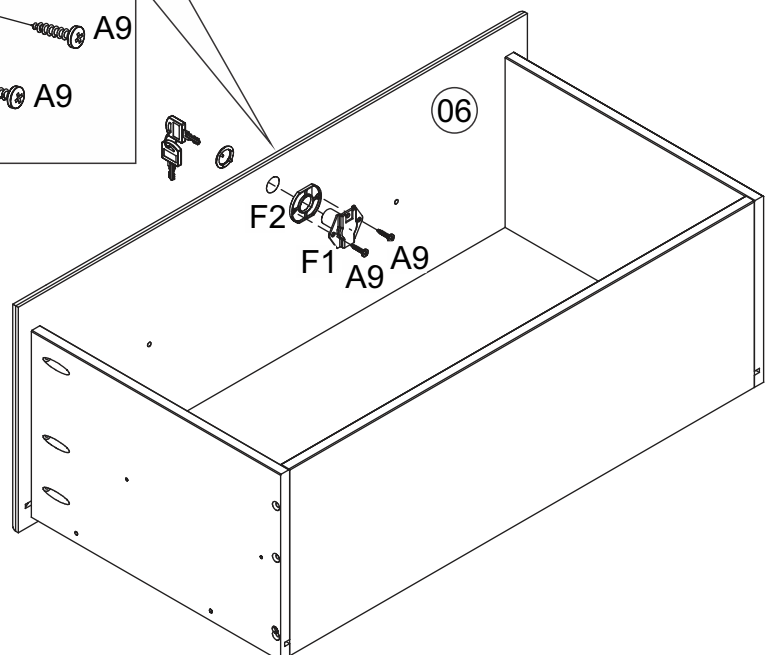
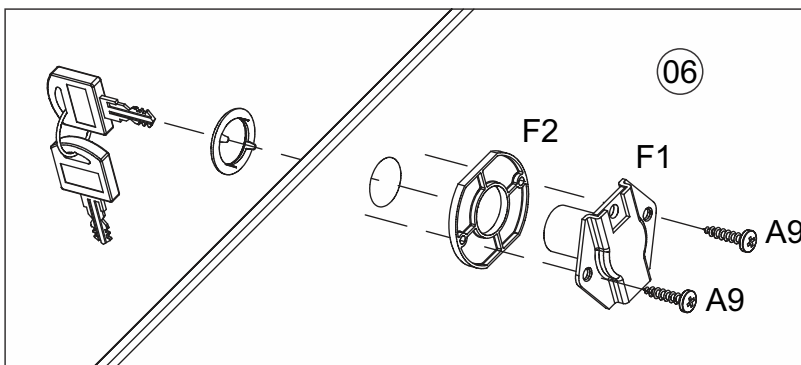
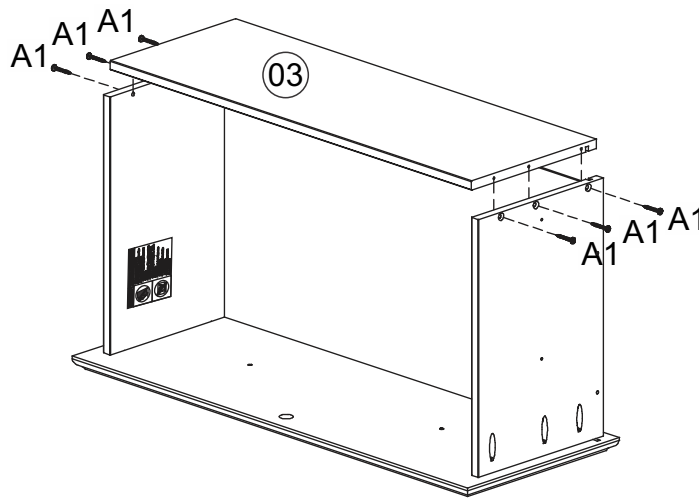
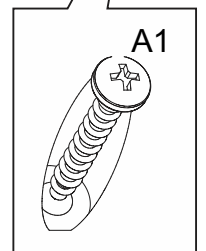
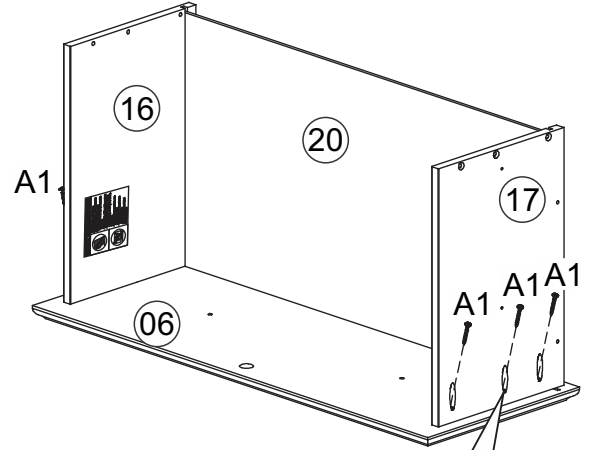
12)

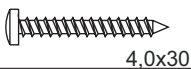
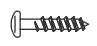




**WARNING**

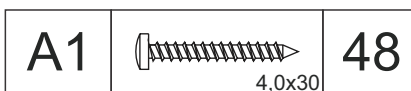
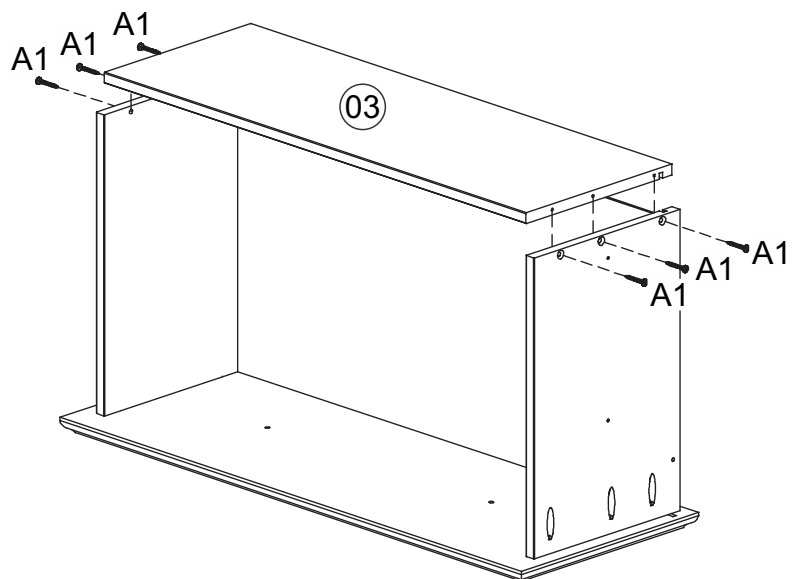
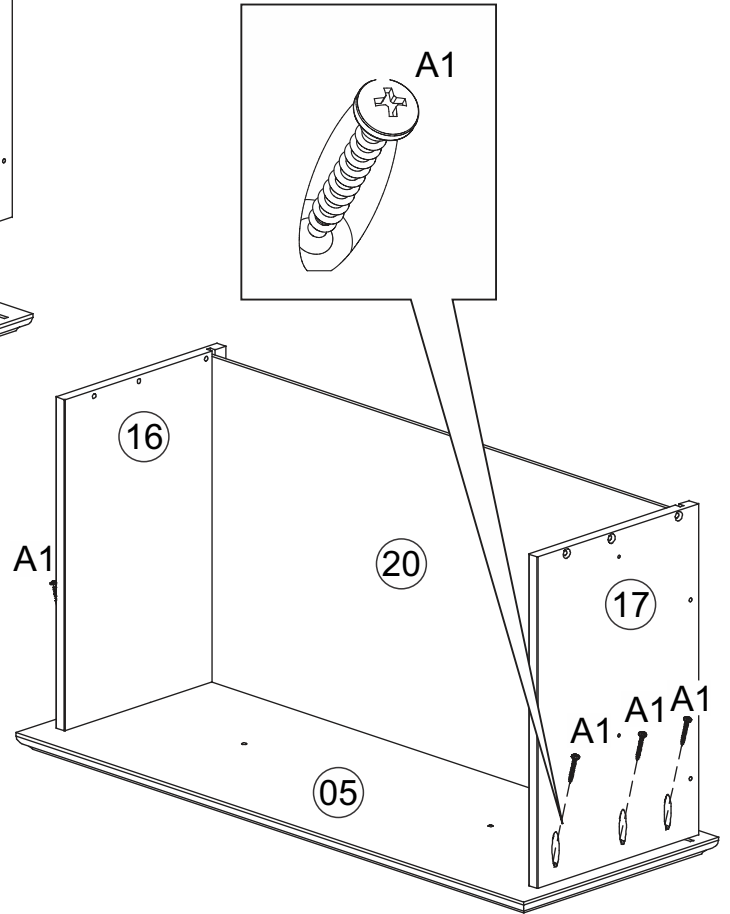
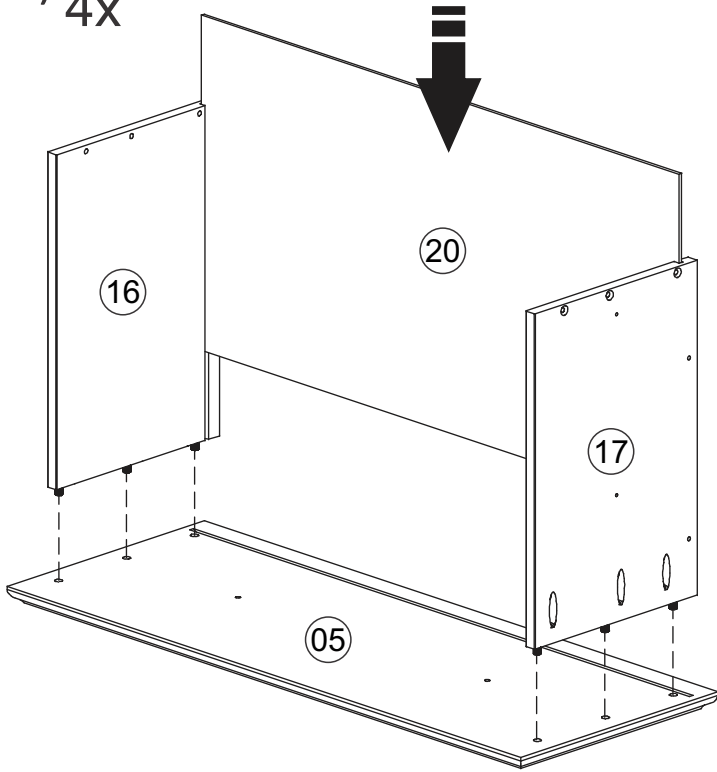
Children have died from furniture tipover. To reduce the risk of furniture tipover:

- ALWAYS install anti-tip device provided.
- NEVER put a TV on this product.
- NEVER allow children to stand, climb, or hang on any drawers, doors, or shelves.
- NEVER open more than one drawer at a time.
- DO NOT defeat or remove the drawer interlock system; it is an important stability and safety system.
- Place heaviest items in the lowest drawers. This is a permanent label! Do not remove!

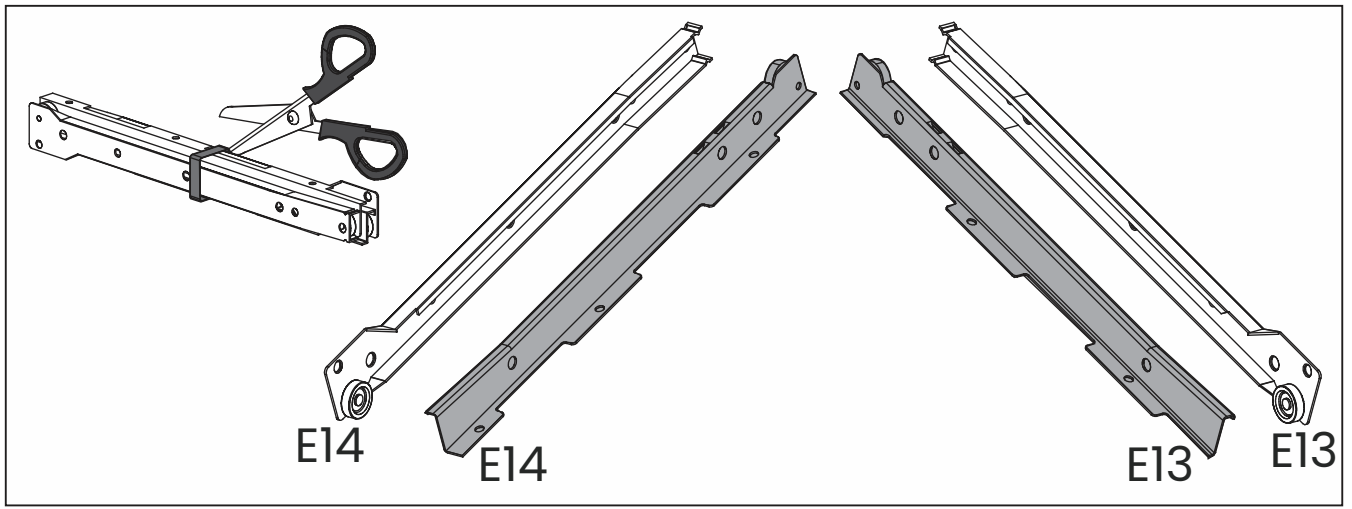


A1	 4.0x30	12
A9	 3.5x16	02
F1		01
F2		01

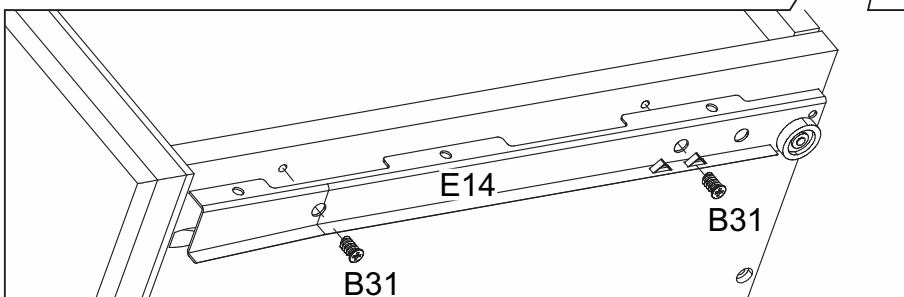
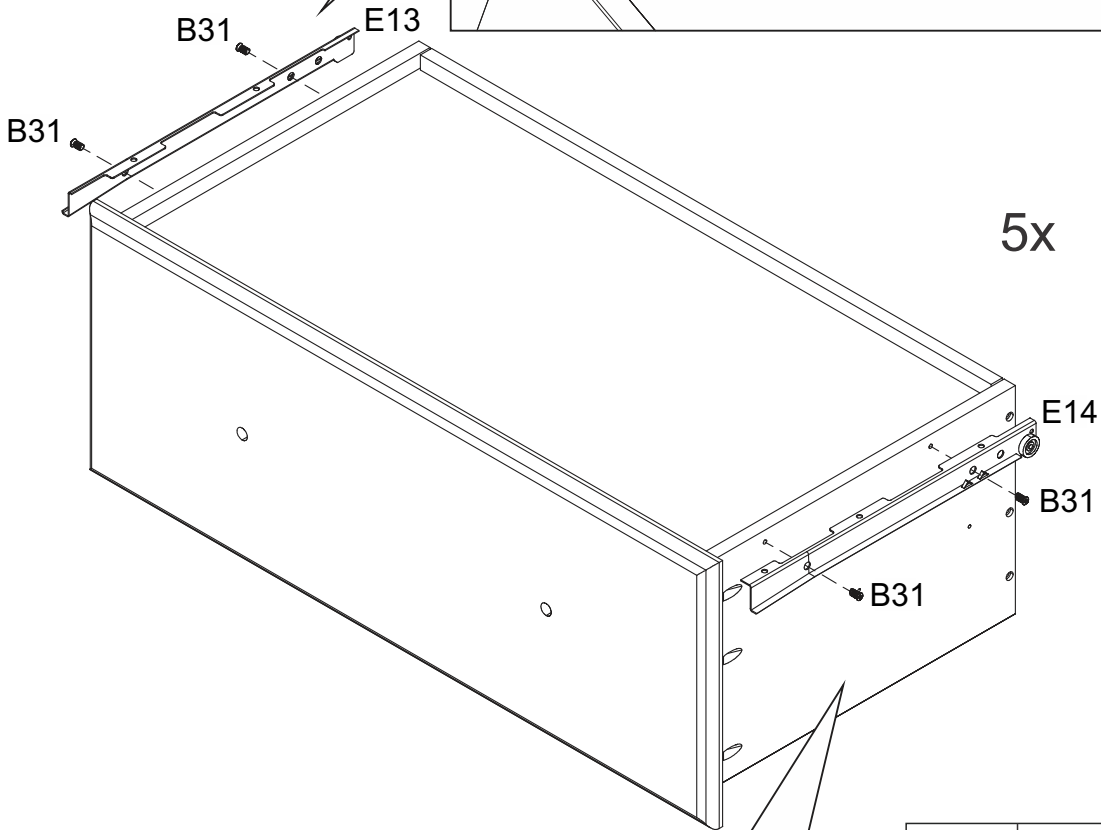
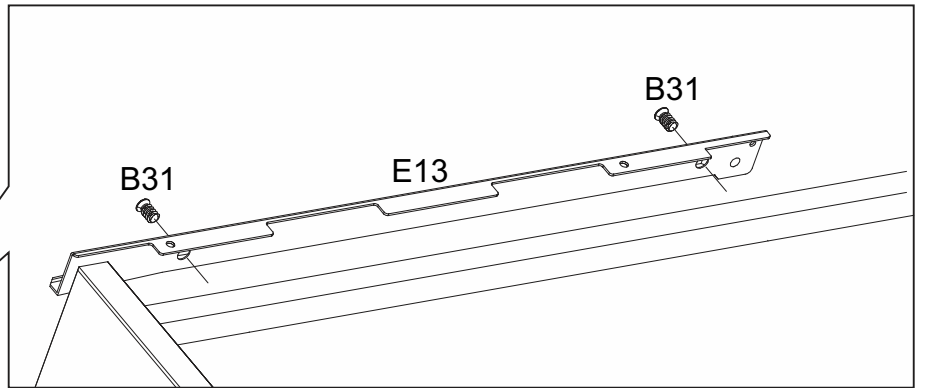
13) 4x



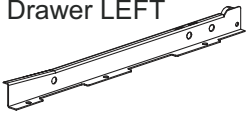


14)

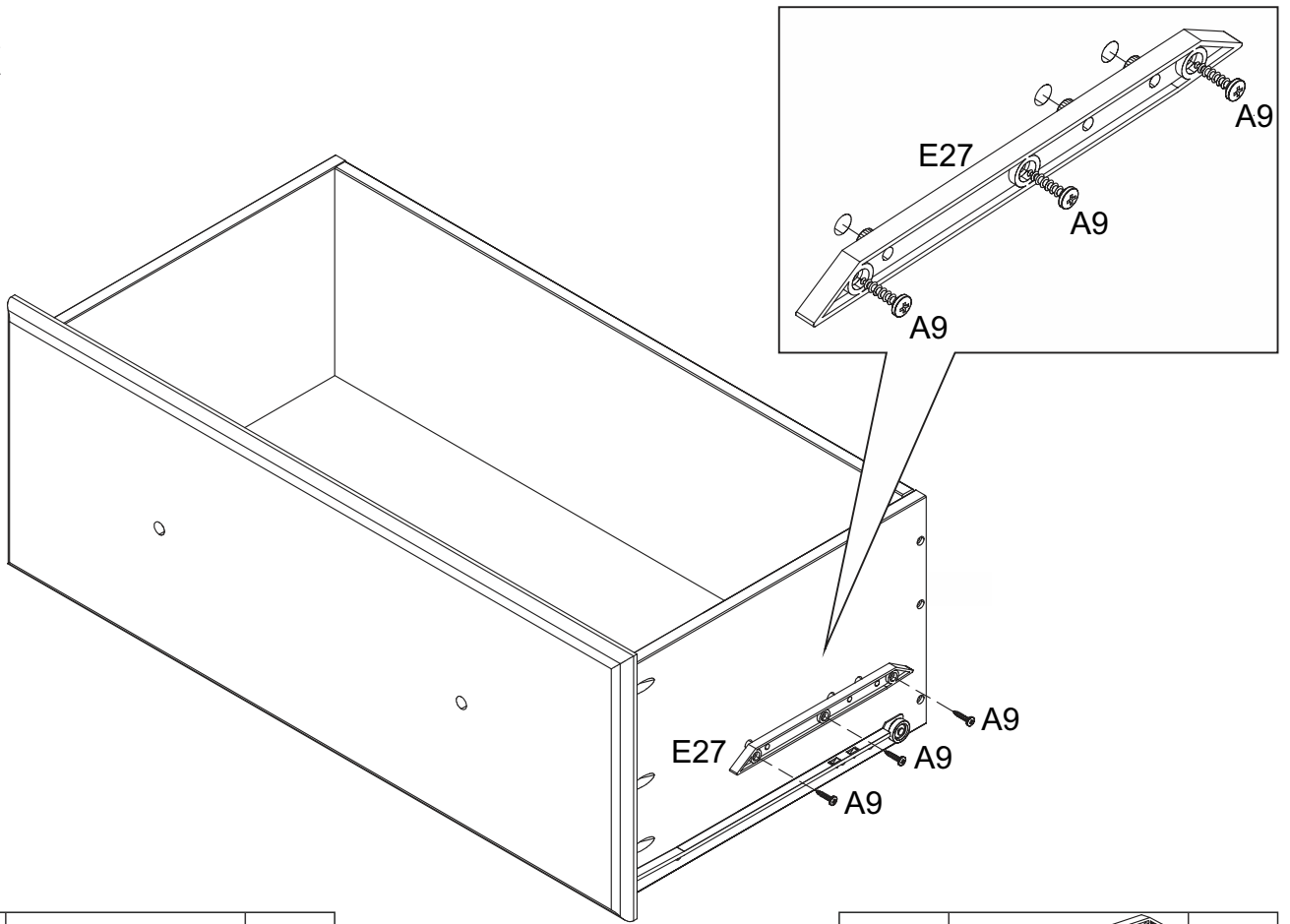



Flip the assembled drawer upside down to install glides.

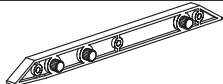


B31	 6.0x10	20
E13	Drawer RIGHT 	05
E14	Drawer LEFT 	05

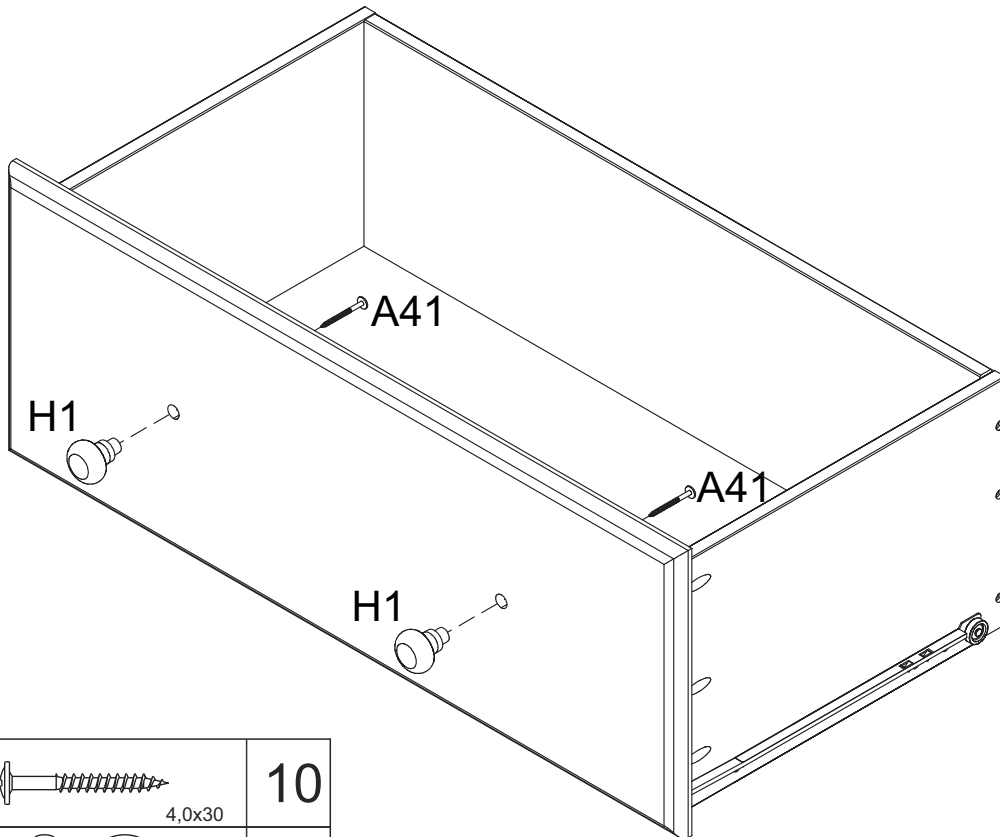
15) 5x





A9	 3,5x16	15
----	---	----

E27		05
-----	---	----

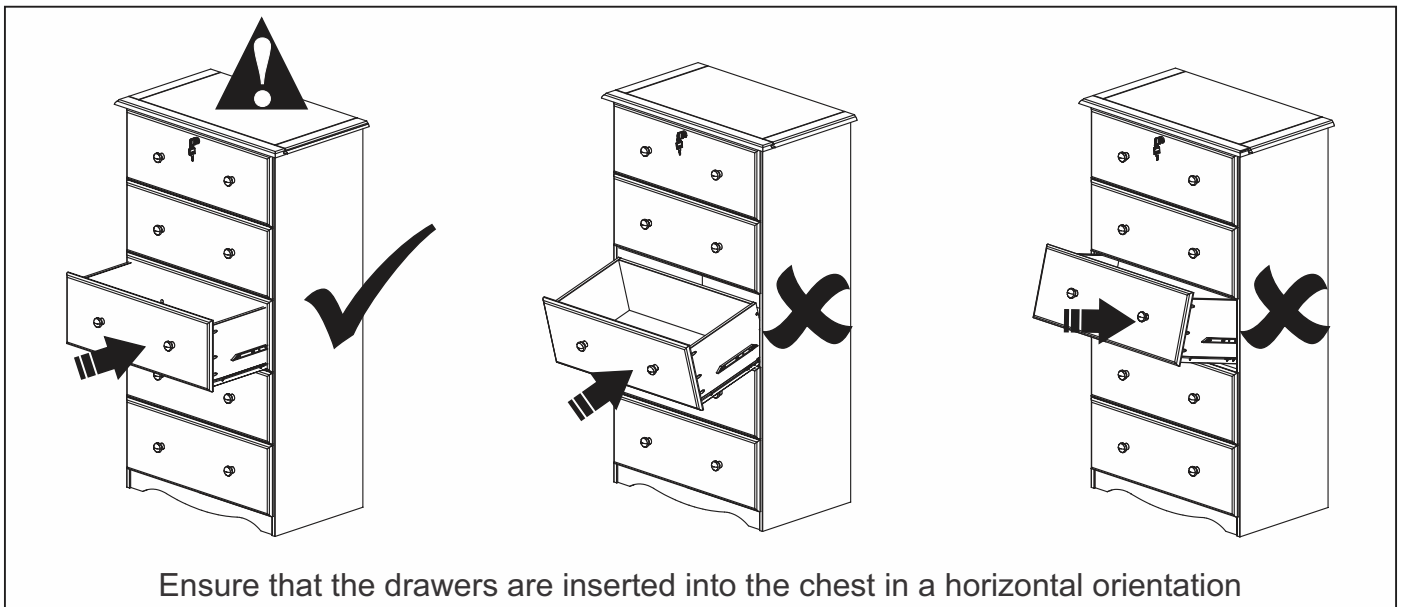
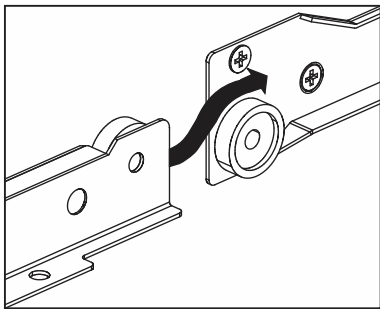
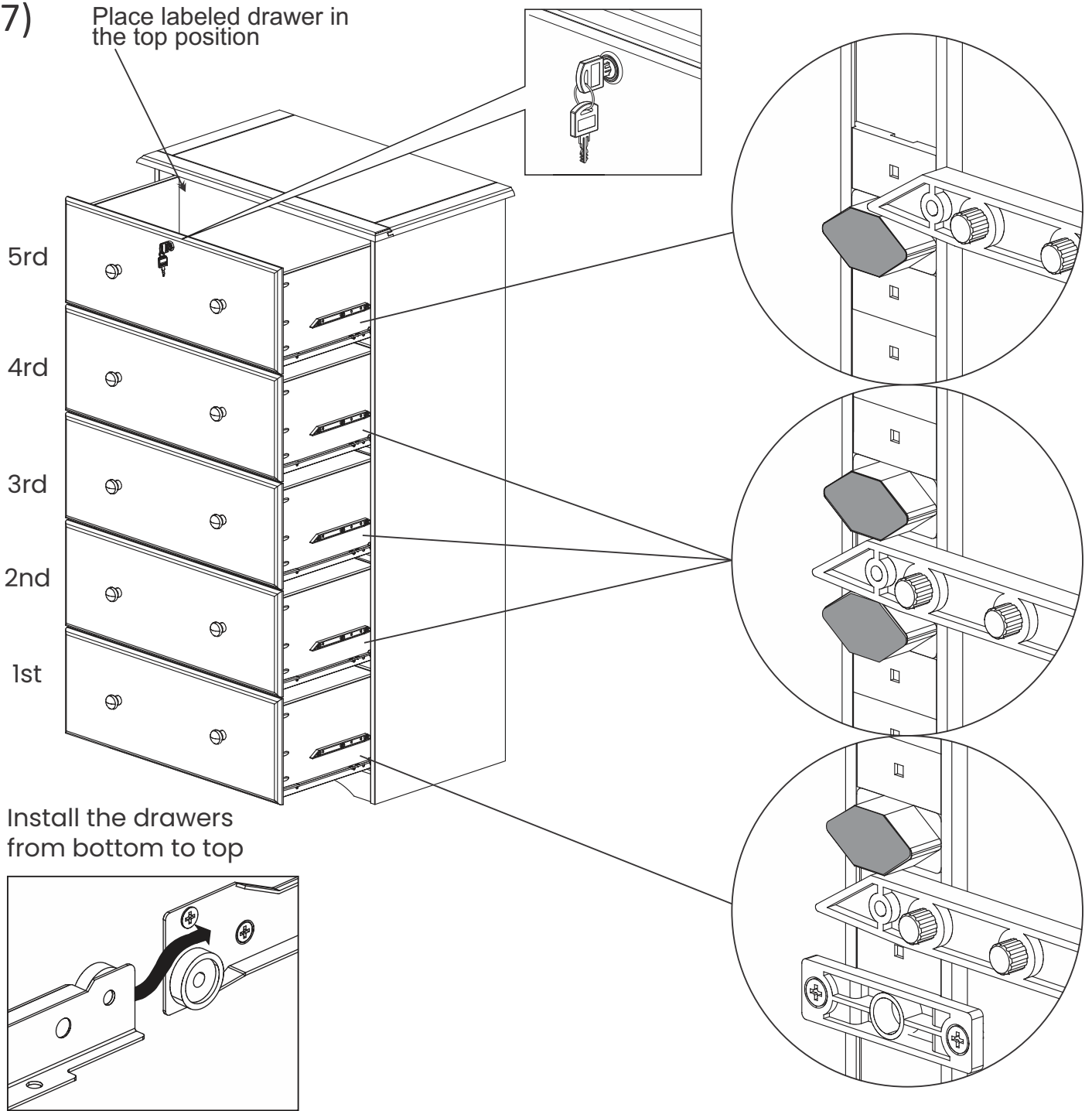
16) 5x



A41	 4,0x30	10
H1		10

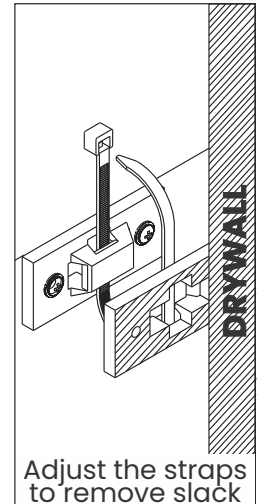
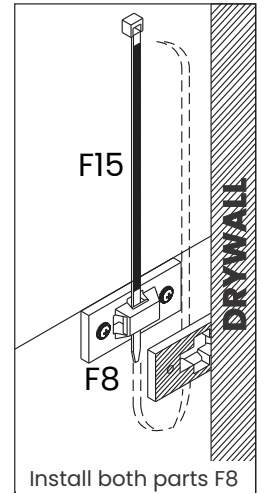
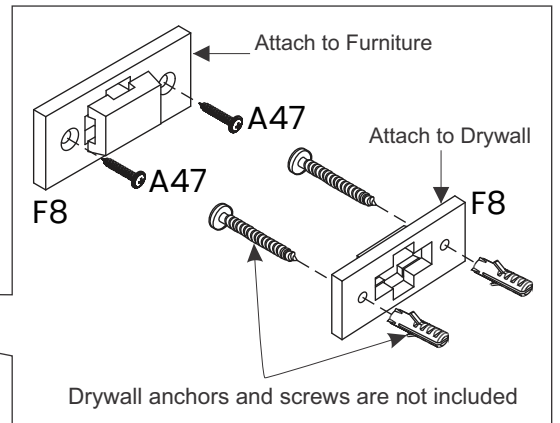
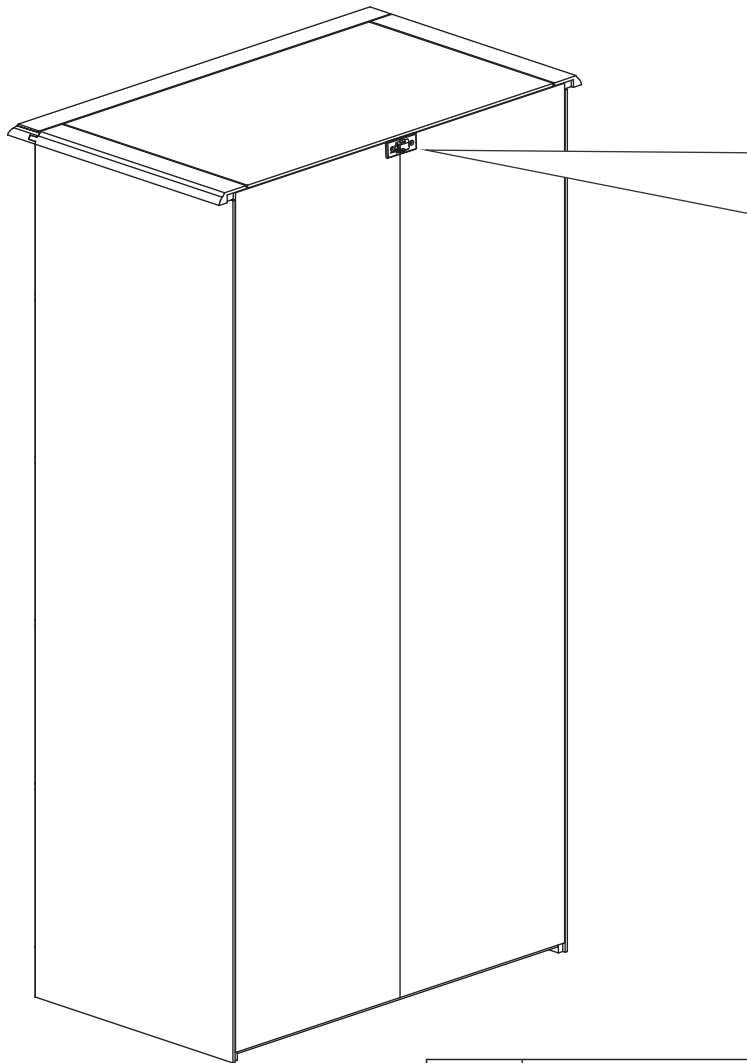
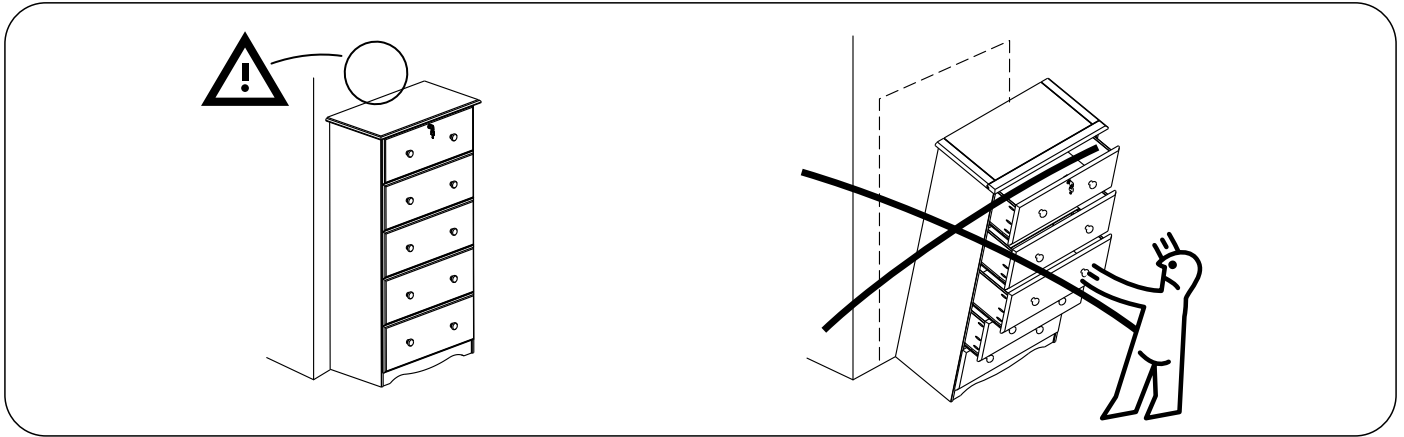
17)




Place labeled drawer in the top position



Ensure that the drawers are inserted into the chest in a horizontal orientation

# 18) Tip-over Restraint Kit Installation



A47	 3,0x20	2
F8		2
F15		1