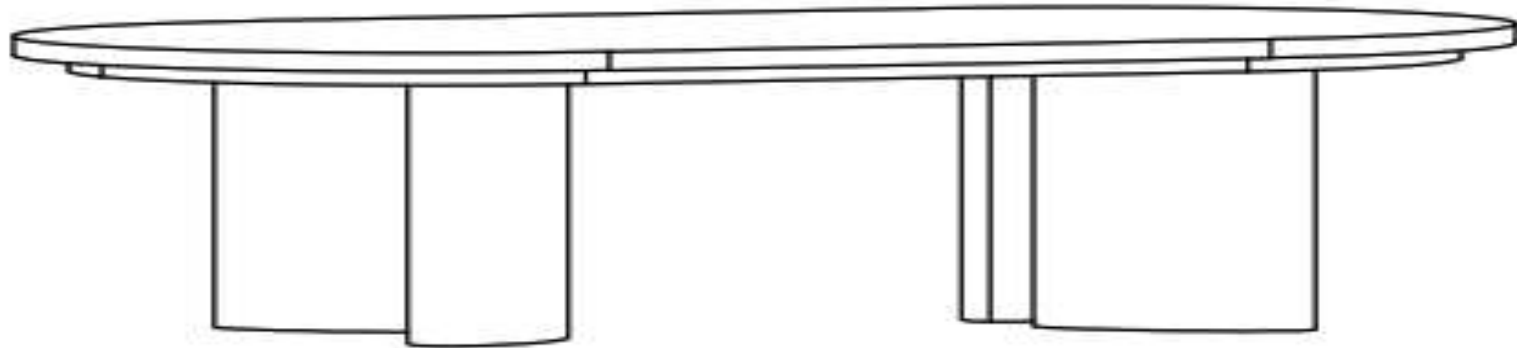


# OVAL WOOD COFFEE TABLE

## Assembly Instructions



## Thanks for bringing Safavieh Couture into Your home

Every thing we make is incredibly simple to set up, including your new table. You won't need any additional tools.

### Parts List

A x 1  
TOP

B x 4  
RIGHT/LEFT LEGS



### Hardware List

HW1 x 16  
Small cross Bolts 6x0.5x35mm

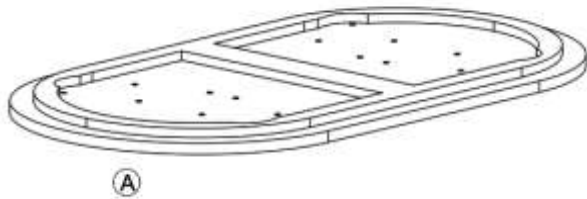
HW2 x 16  
Flat washer 8mm

HW3 x 1  
Allen Key



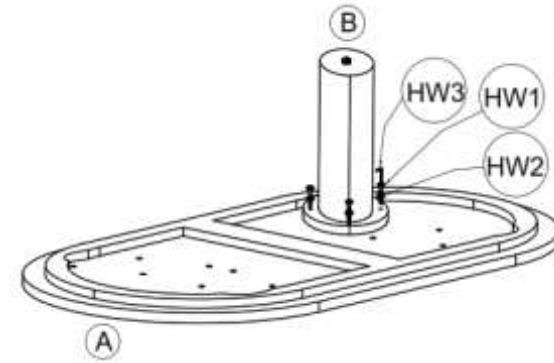
1

Place the top (A) upside down on a soft surface. Remove the legs (B) and the hardware packet from the box.



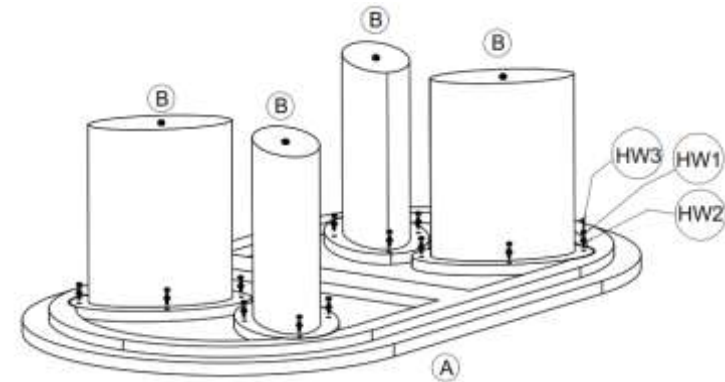
2

Align the screw holes on the top (A) to the screw holes on the leg (B). Place the Flat Washer (HW2) on the Bolt (HW1). Use the Allen Key (HW3) to screw in the bolts to attach the leg to the top.



3

Repeat step 2 for the other 3 legs.



4

---

Place the coffee table in the place where you will use it. We'd love to see it – just tag us and use the hashtag #safavieh on Instagram!

