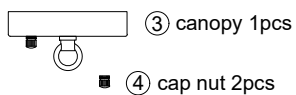


① light fixture 1pcs



③ canopy 1pcs

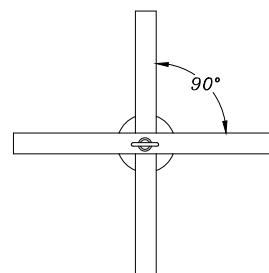
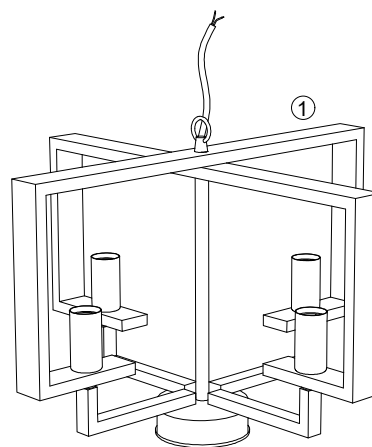
④ cap nut 2pcs

- ⊗ X 1PCS
- ⊕ X 1PCS
- ⌚ X 3PCS
- ⌚ X 3PCS
- ⌚ X 3PCS
- ⌚ X 3PCS



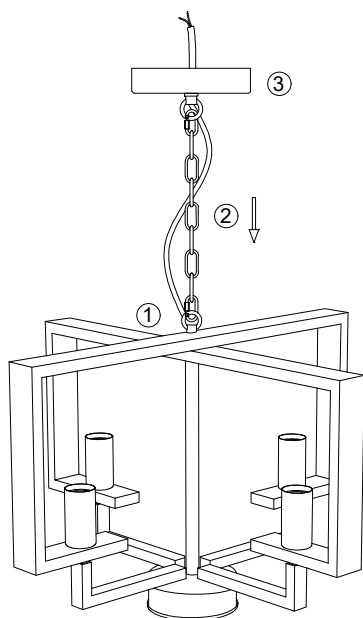
②

chain 1pcs

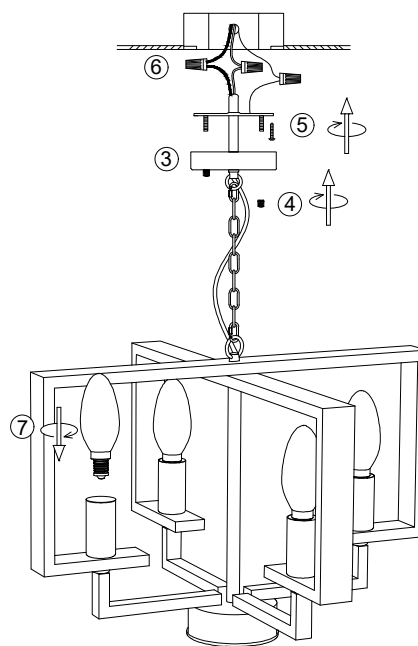


(vertical view)

1. Adjust the light arm to suitable position like picture shown.



2. Hang the canopy ③ to the fixture with chain ②, let the wire go through the chain ② and canopy ③.



3. Install the bracket to the ceiling junction box with screw ⑤.  
 4. Connect the wire to your home line with cap connector ⑥.  
 5. Install the fixture to the bracket with cap nut ④.  
 6. Install the bulb ⑦.

**D0220-4**

Please read carefully before installation!!!

Note : Please make sure that the electricity is powered off during installation !

Only a professional electrician should install this kind of product !