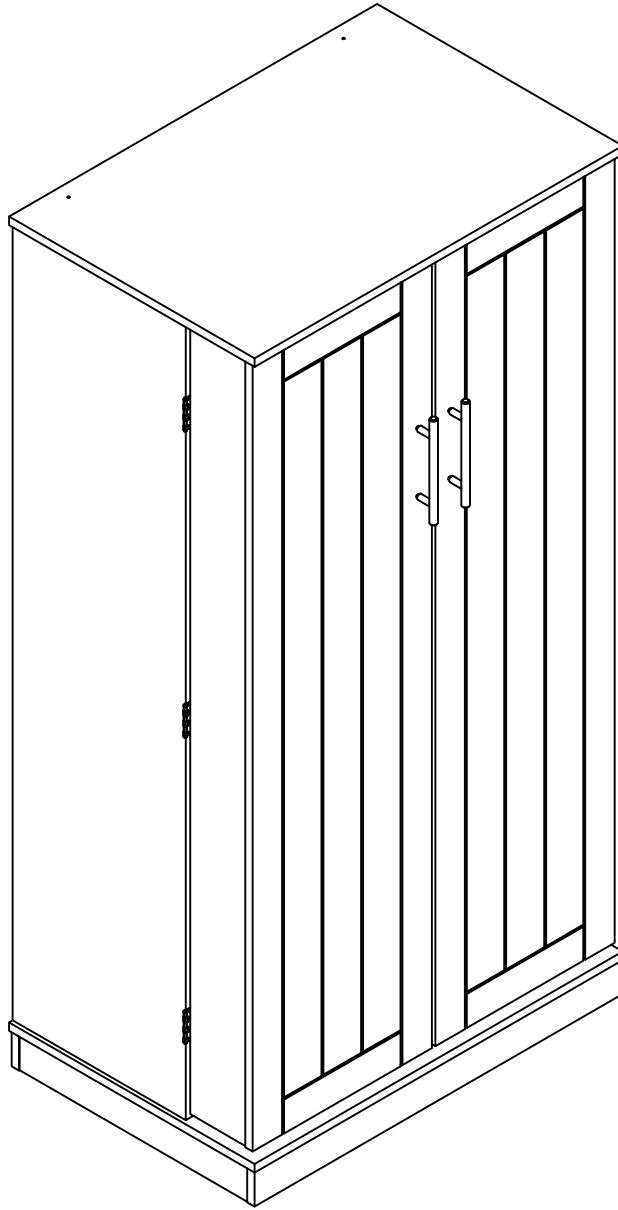


Instruction Manual

Pantry Cabinet



Thank you for shopping with us!

If any part is missing, broken upon receipt or you need any help from us.
For the FASTEST SOLUTION, please FIRSTLY CONTACT US

Power tool is recommended for the assembly.

Notes:

1. ASSEMBLY PREPARATION AND TIPS FOR ASSEMBLY

- 1). Remove all packaging materials, staples and packing straps from the carton.
- 2). Refer to Parts List and Hardware List, and ensure parts and hardware are correct before assembly.
Contact customer service for missing parts.
- 3). Place all wooden parts on a clean, flat and soft surface (e.g. carpet or rug) to prevent scratch and damage to parts.
- 4). Allow ample room for assembly and assemble the product near where the product will be placed.
- 5). During assembly, do not over-tighten any fittings as this may cause damage.
- 6). Always place the product on a flat, level surface.

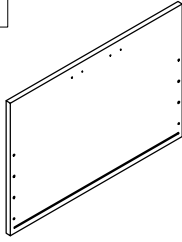
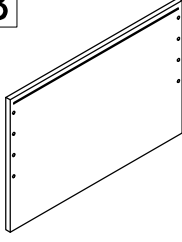
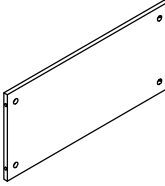
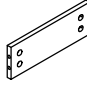
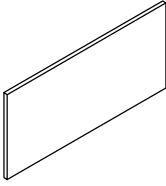
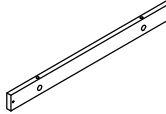
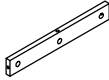
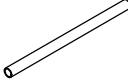
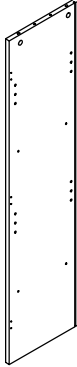
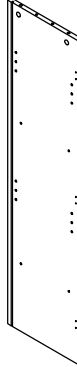

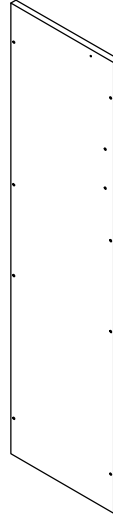


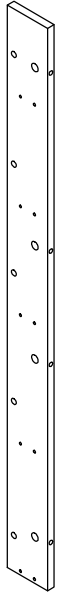
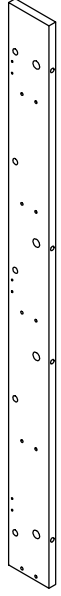
2. CARE AND MAINTENANCE

- 1). KEEP ALL HARDWARE PARTS OUT OF REACH OF CHILDREN.
- 2). Wipe clean with a soft, dry cloth; avoid the use of harsh chemicals or household cleaners as they may damage the exterior finish of the furniture.
- 3). Hardware may loosen over time. Periodically, check that all connections are tight; re-tighten as necessary.

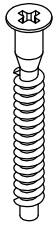




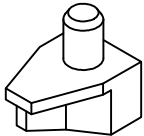
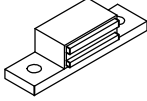
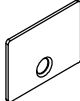


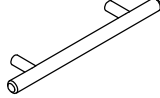

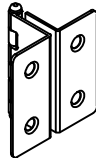
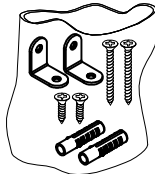
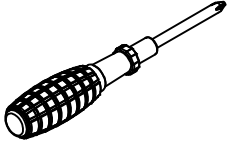
3. TIPS TO PROTECT & CARE FOR YOUR FURNITURE

- 1). Avoid placing your furniture in direct sunlight, as sunlight causes fading.
- 2). Use a protective pad when writing on the furniture surface.
- 3). Use cutting boards and trivets for food preparation in order to avoid damaging the top for the unit.

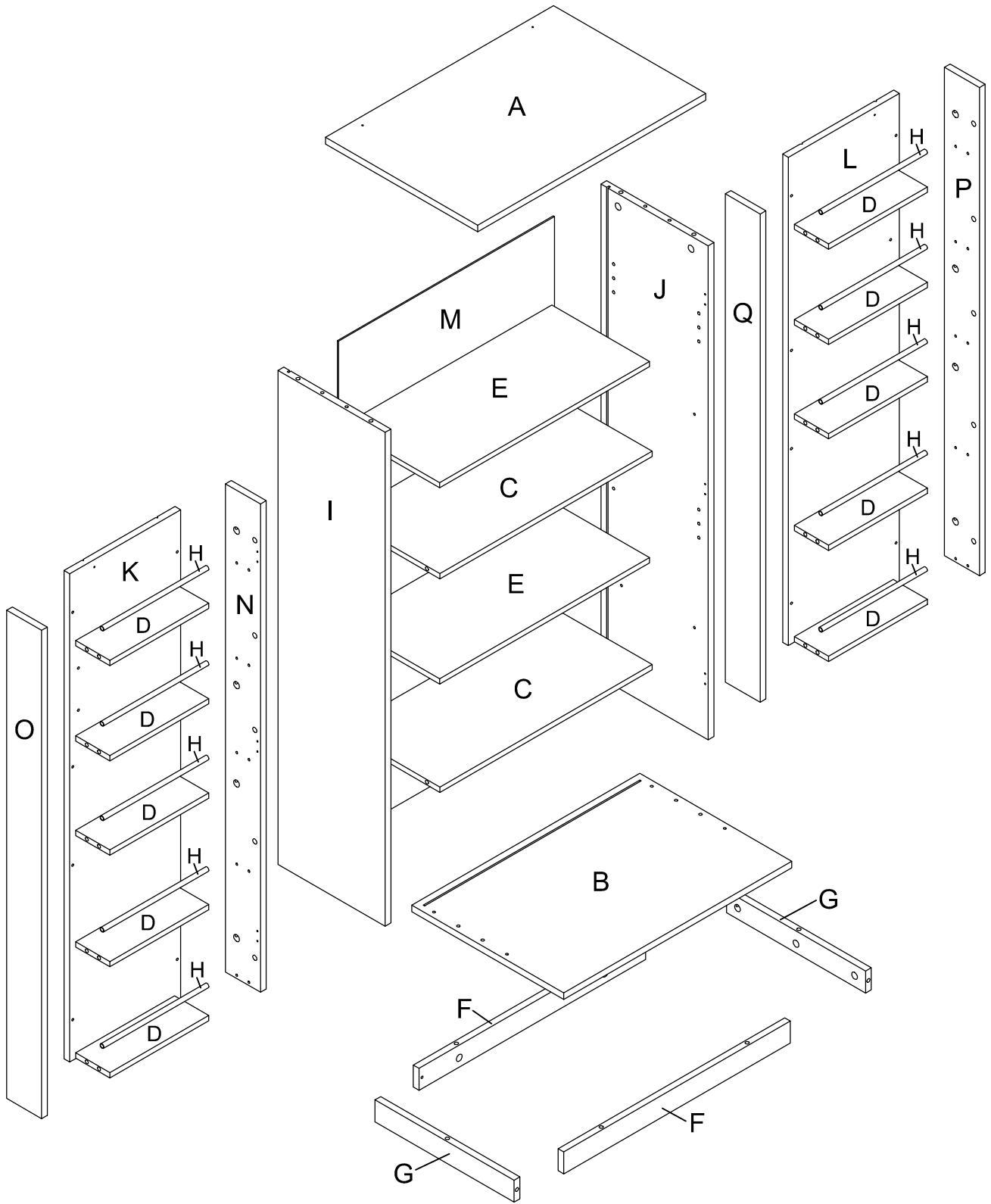
PART LIST

						
<p>Top Panel 1 PC</p>	<p>Bottom Panel 1 PC</p>	<p>Rear Fixed Shelf Panel 2 PCS</p>	<p>Front Fixed Shelf Panel 10 PCS</p>	<p>Adjustable Shelf 2 PCS</p>		
						
<p>Front / Rear Foot Board 2 PCS</p>	<p>Side Foot Board 2 PCS</p>	<p>Plastic Pipe 10 PCS</p>	<p>Rear Left Panel 1 PC</p>	<p>Rear Right Panel 1 PC</p>		
						
<p>Left Door 1 PC</p>	<p>Right Door 1 PC</p>	<p>Back Panel 1 PC</p>	<p>Left Front Vertical Panel-L 1 PC</p>	<p>Left Front Vertical Panel-R 1 PC</p>	<p>Right Front Vertical Panel-L 1 PC</p>	<p>Right Front Vertical Panel-R 1 PC</p>

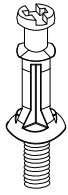
HARDWARE LIST

<p>#1</p>  <p>Ø5*40mm</p>	<p>#2</p>  <p>Ø6*30mm</p>	<p>#3</p>  <p>Ø3.5*15mm</p>	<p>#4</p>  <p>Ø6*35mm</p>	<p>#5</p>  <p>Ø15*9mm</p>
<p>Screw</p> <p>4 PCS (Extra 1)</p>	<p>Wood Dowel</p> <p>8PCS (Extra 2)</p>	<p>Screw</p> <p>12PCS (Extra 2)</p>	<p>Cam-bolt</p> <p>78PCS (Extra 8)</p>	<p>Cam-lock</p> <p>78PCS(Extra 8)</p>
<p>#6</p>  <p>16*11*Ø5mm</p>	<p>#7</p>  <p>45*17*12mm</p>	<p>#8</p>  <p>30*22*1mm</p>	<p>#9</p>  <p>Ø3.5*12mm</p>	<p>#10</p> 
<p>Shelf Holder</p> <p>8 PCS (Extra 2)</p>	<p>Door Magnet</p> <p>2 PCS</p>	<p>Door Small Plate</p> <p>2 PCS</p>	<p>Screw</p> <p>26PCS (Extra 4)</p>	<p>Back Bracket</p> <p>8 PCS (Extra 2)</p>
<p>#11</p>  <p>150*32*Ø12mm</p>	<p>#12</p>  <p>M4*20mm</p>	<p>#13</p> 	<p>#14</p> 	
<p>Handle</p> <p>2 PCS</p>	<p>Round Head Bolt</p> <p>4 PCS (Extra 1)</p>	<p>Hinge</p> <p>6 PCS</p>	<p>Safety Strap Kit</p> <p>1 SET</p>	<p>Phillips Screwdriver</p> <p>1 PC</p>

ASSEMBLY OVERVIEW



Instructions For Fastening CAM-BOLT and CAM-LOCK

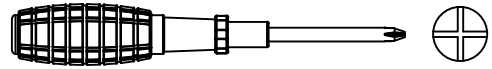


CAM-BOLT

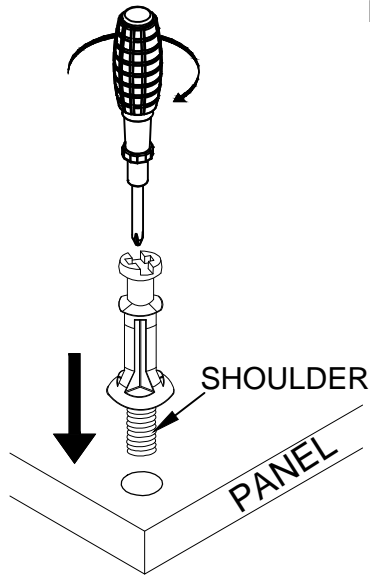


CAM-LOCK

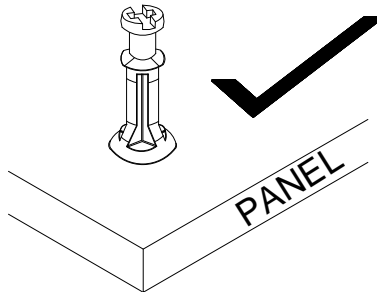
Tools Required



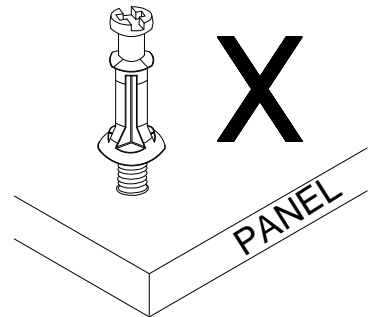
INSERTING AND TIGHTENING CAM-BOLT



Place Cam-bolt on pre-drilled hole and screw in vertically



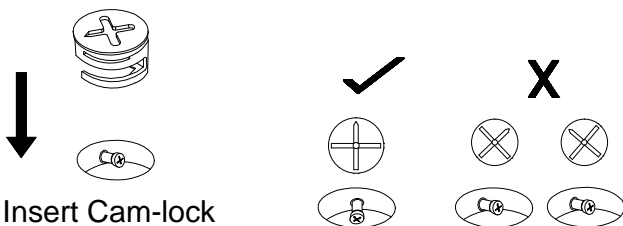
Shoulder is flushed (on the same level) with the panel.



Shoulder is above the panel.

Place Cam-bolt on the designated pre-drilled holes on the panel. Use a Phillips Screwdriver to screw-in Cam-bolt vertically until shoulder is flushed (on the same level) with panel.

INSERTING CAM-LOCK



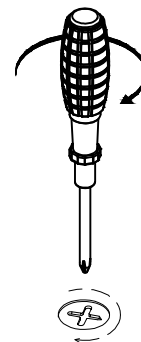
Insert Cam-lock with arrow align to Cam-bolt head

CORRECT

WRONG

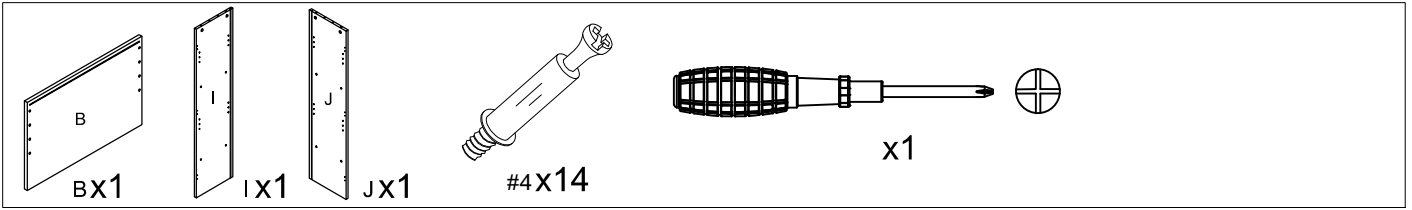
Align the arrow on the Cam-lock to the Cam-bolt head and insert the Cam-lock. Ensure Cam-lock is fully inserted.

TIGHTENING CAM-LOCK

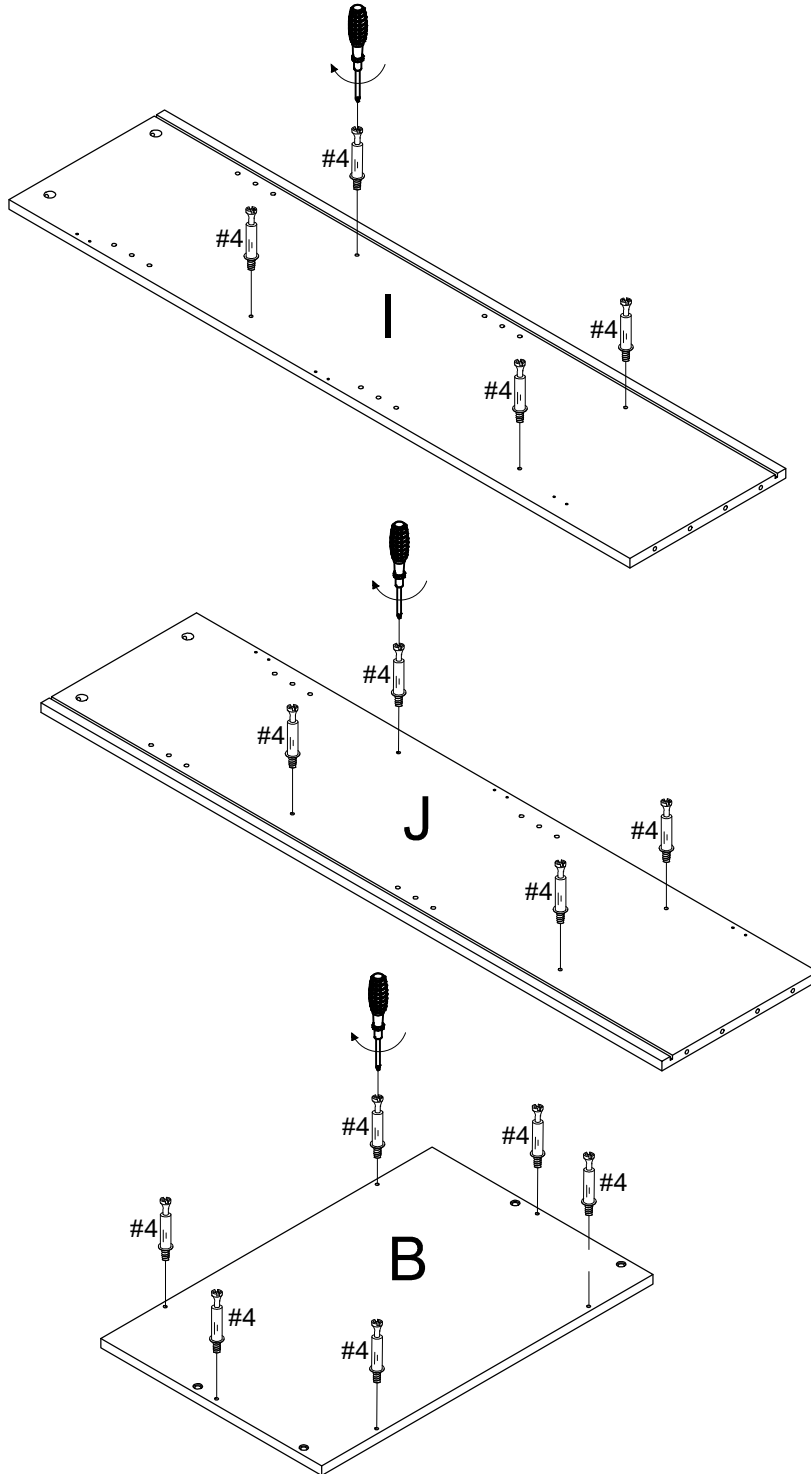


Use a Flat-head Screwdriver to turn Camlock clockwise so it locks onto the head of the Cam-bolt. Turn until it is snug (about 3/4ths of a turn) -- over-tightening could damage Cam-lock or/and Cam-bolt.

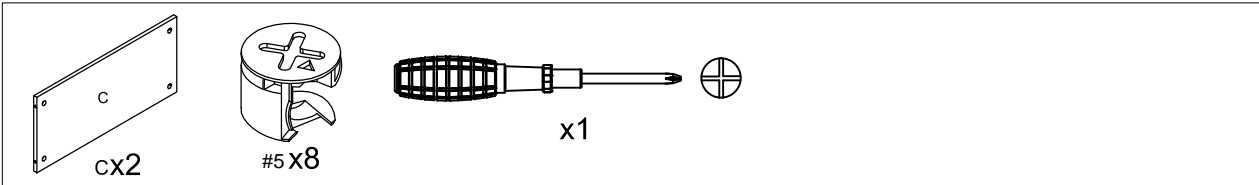
Step 1.



Step 1.
Screw in Cam-bolt (4) into desingnated holes as shown.

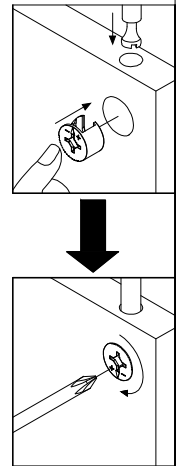
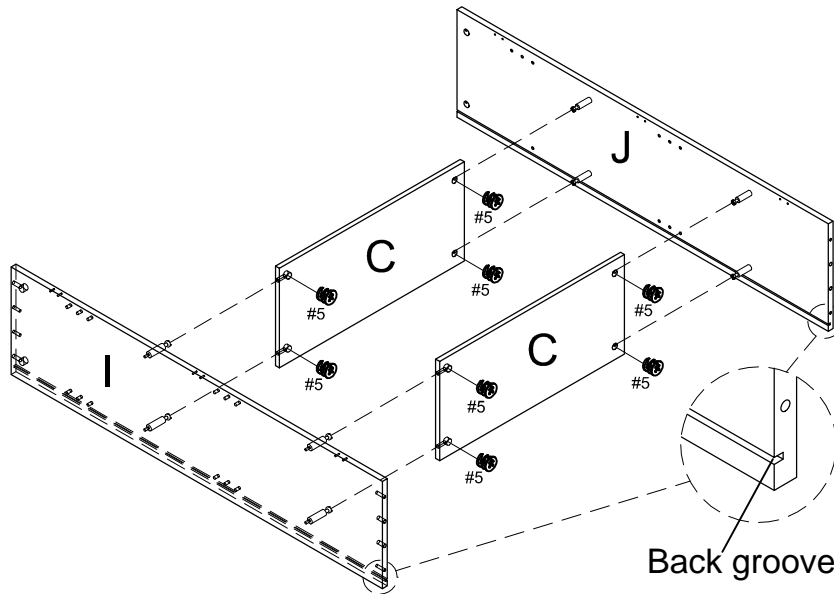


Step 2.

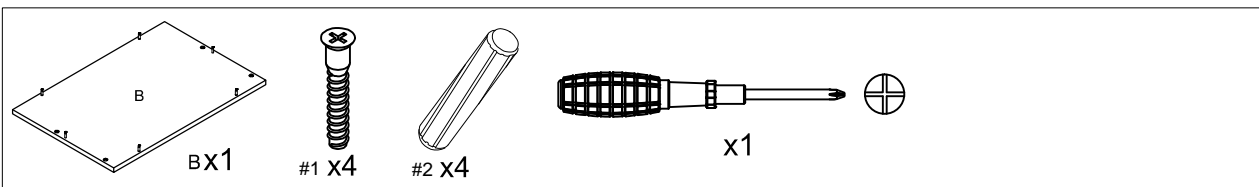


Step 2.

Attach Rear Left Panel (part I) & Rear Right Panel (part J) to RearFixed Shelf Panel (part C), insert Cam-lock (#5) into designated holes and lock.

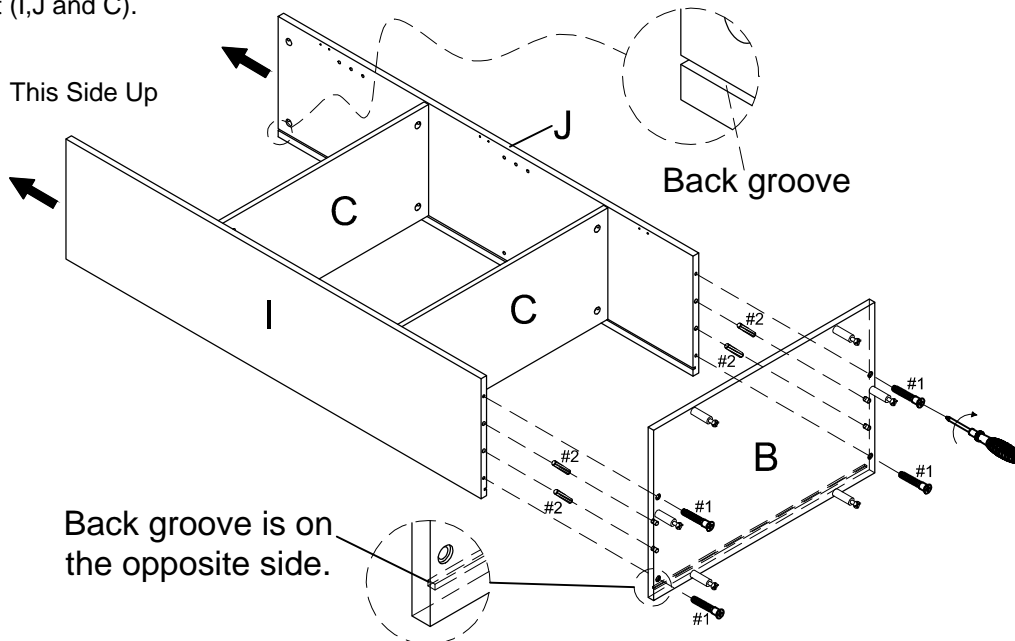


Step 3.



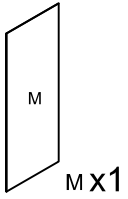
Step 3.

Check the groove on (part I , J & B) are aligned ,use Wood Dowel(#2) and Screw (1) to fasten (B) to unit (I,J and C).



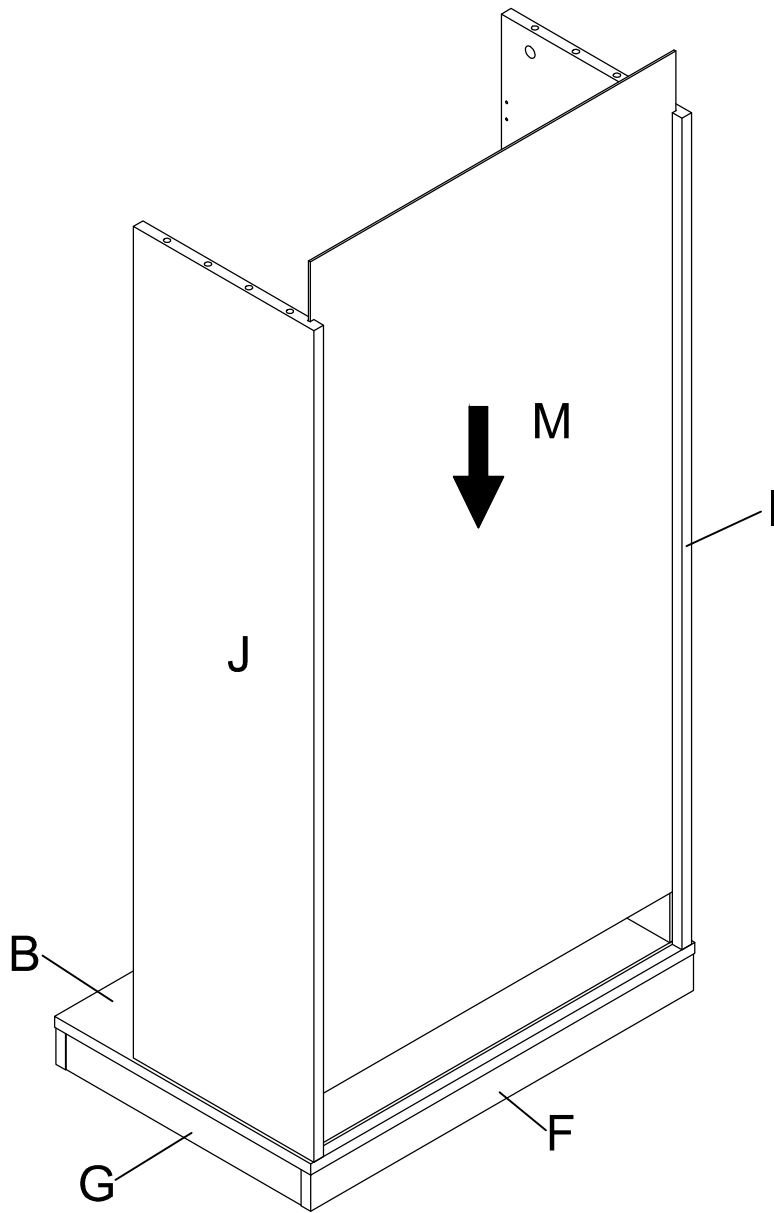
Back groove is on the opposite side.

Step 6.

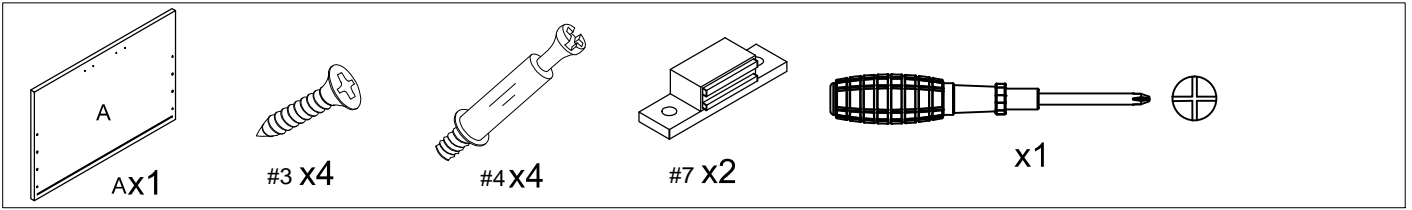


Step 6.

Fit Center Back Panel (M) via groove on Back Panel. Check that the bottom edge of (M) fits into the groove on Back Bottom Panel (B).

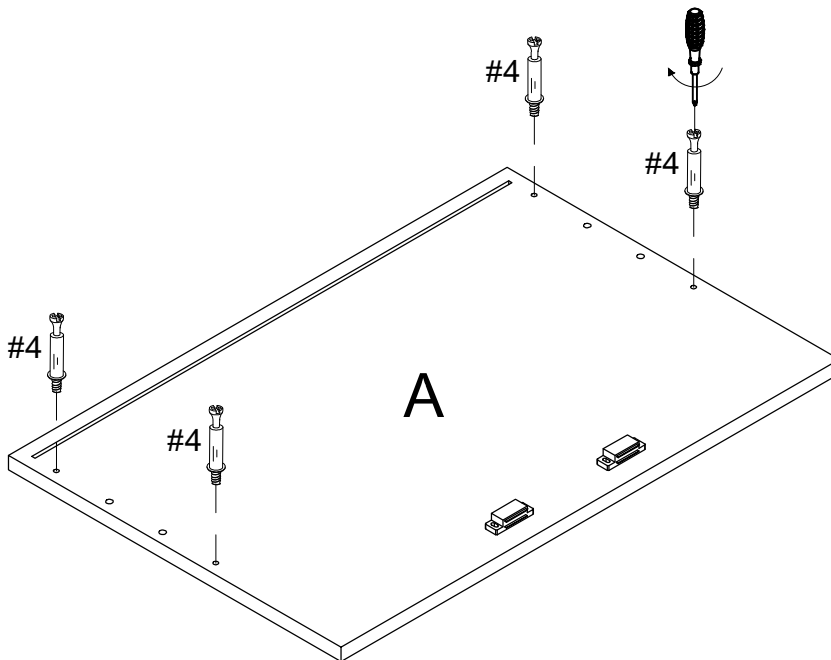
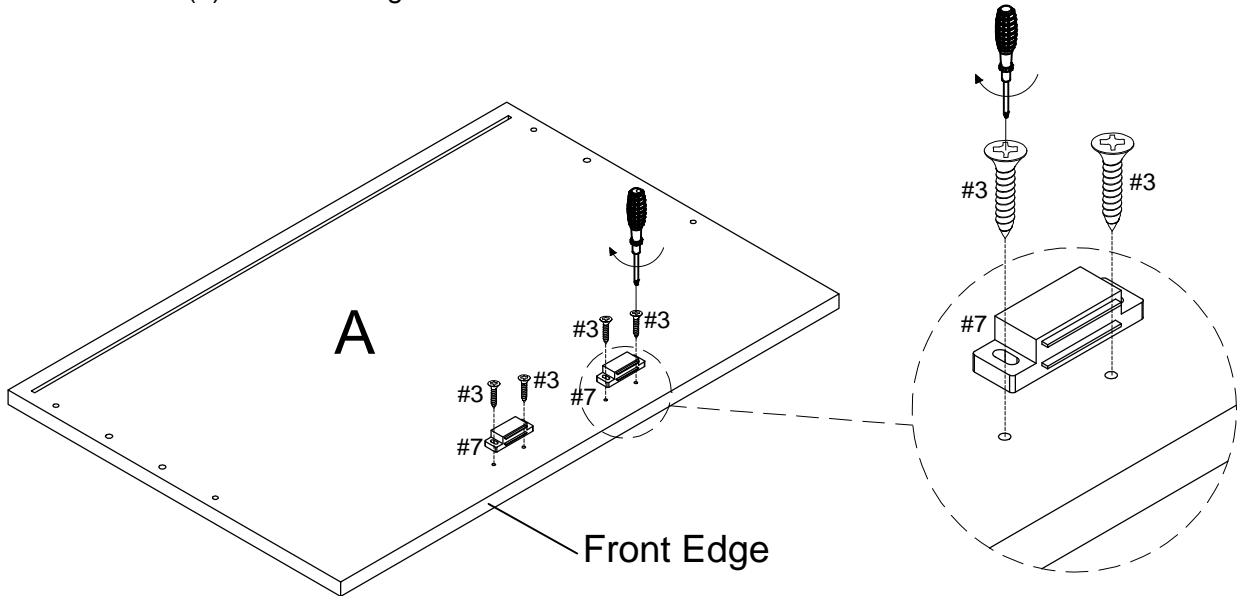


Step 7.

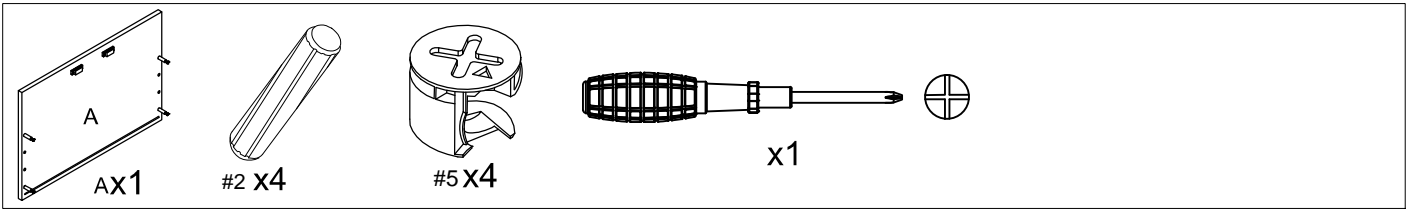


Step 7.

Use Screw (#3) to fasten Door Magnet (#7) .
Screw in Cam-bolt (4) into the designated holes as shown



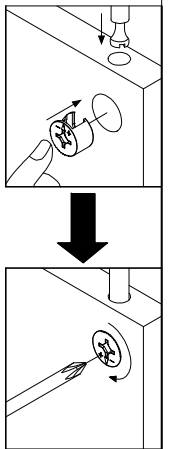
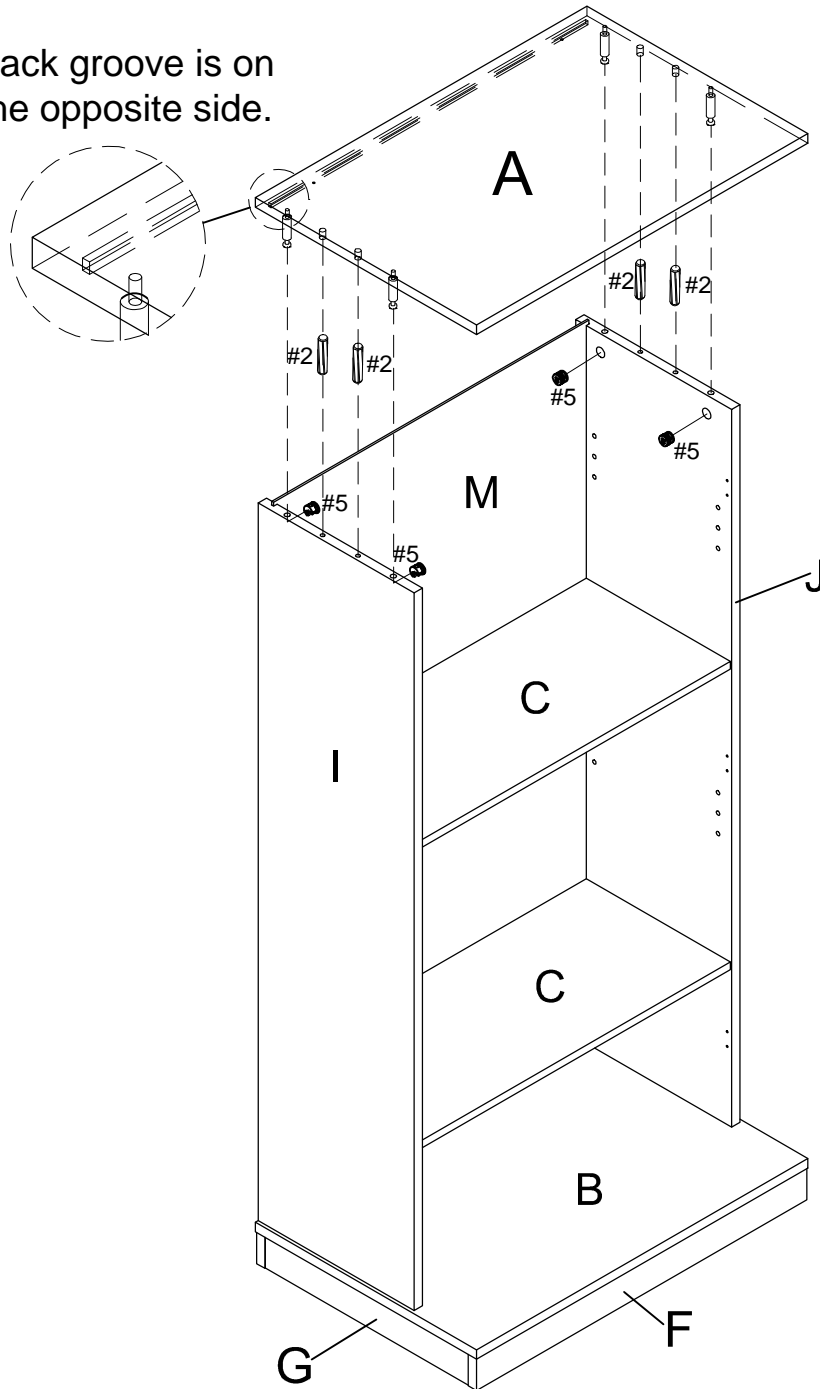
Step 8.



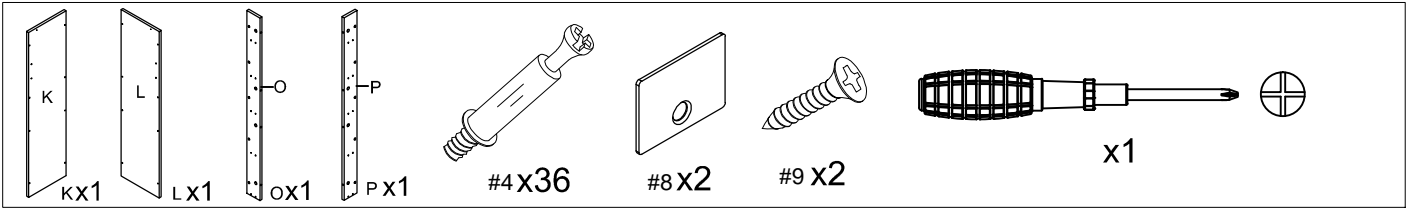
Step 8.

Insert Wood Dowel(#2), check the groove on (part I ,J & A) are aligned ,use Cam-lock (#5) and fasten.

Back groove is on the opposite side.

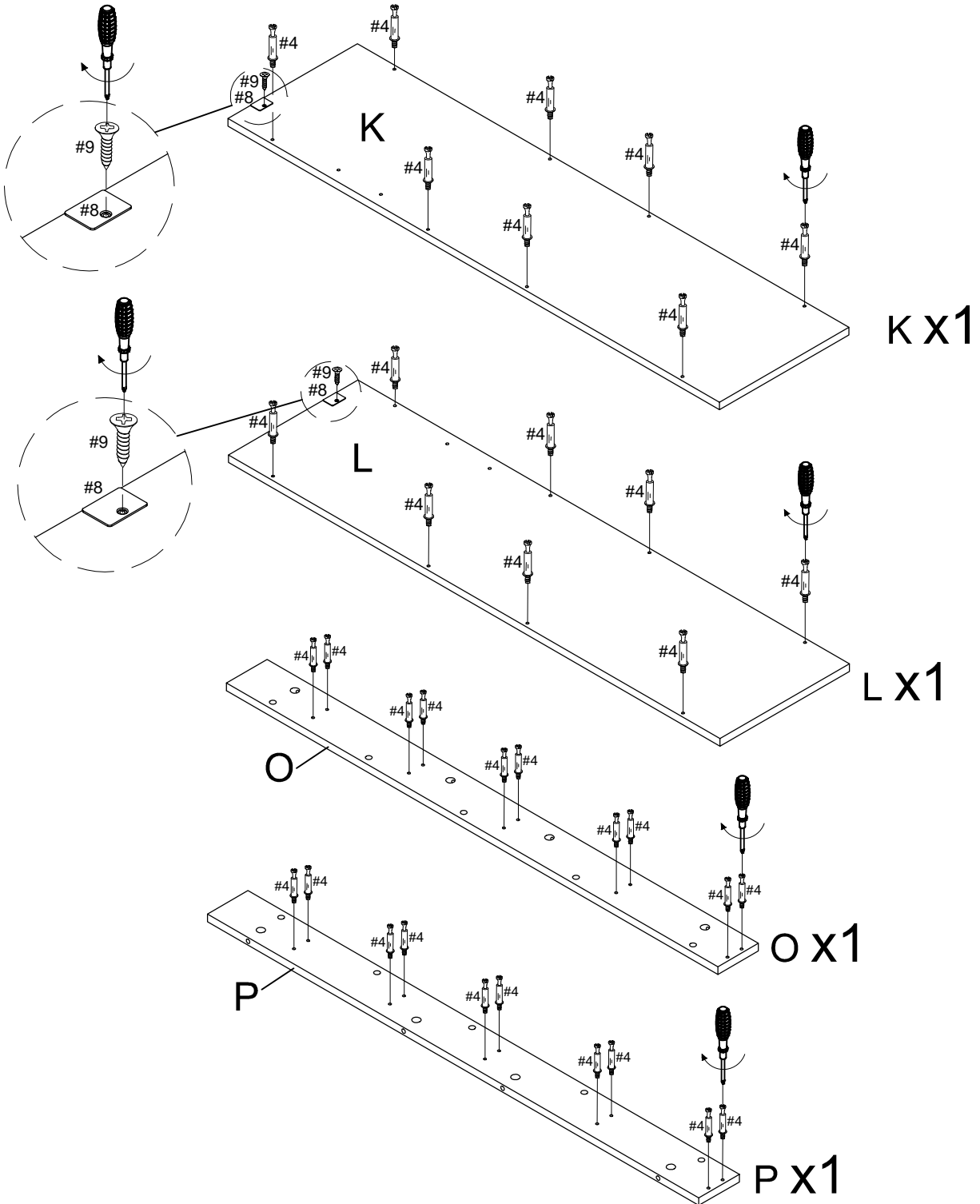


Step 9.

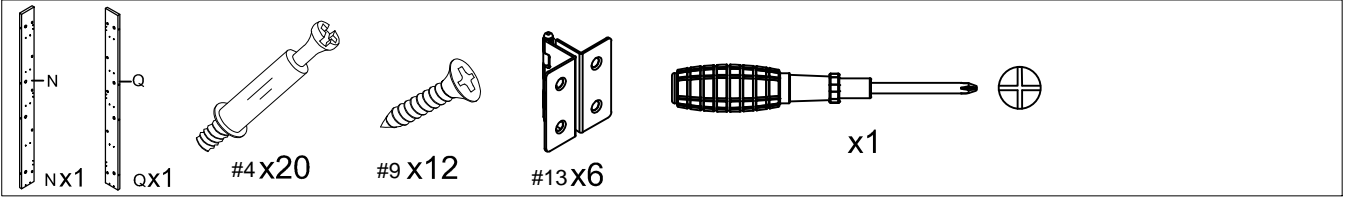


Step 9.

Use Screw (#9) to fasten Door Small Plate (#8) to Panel K and L.
Screw in Cam-bolt (4) into the designated holes as shown.



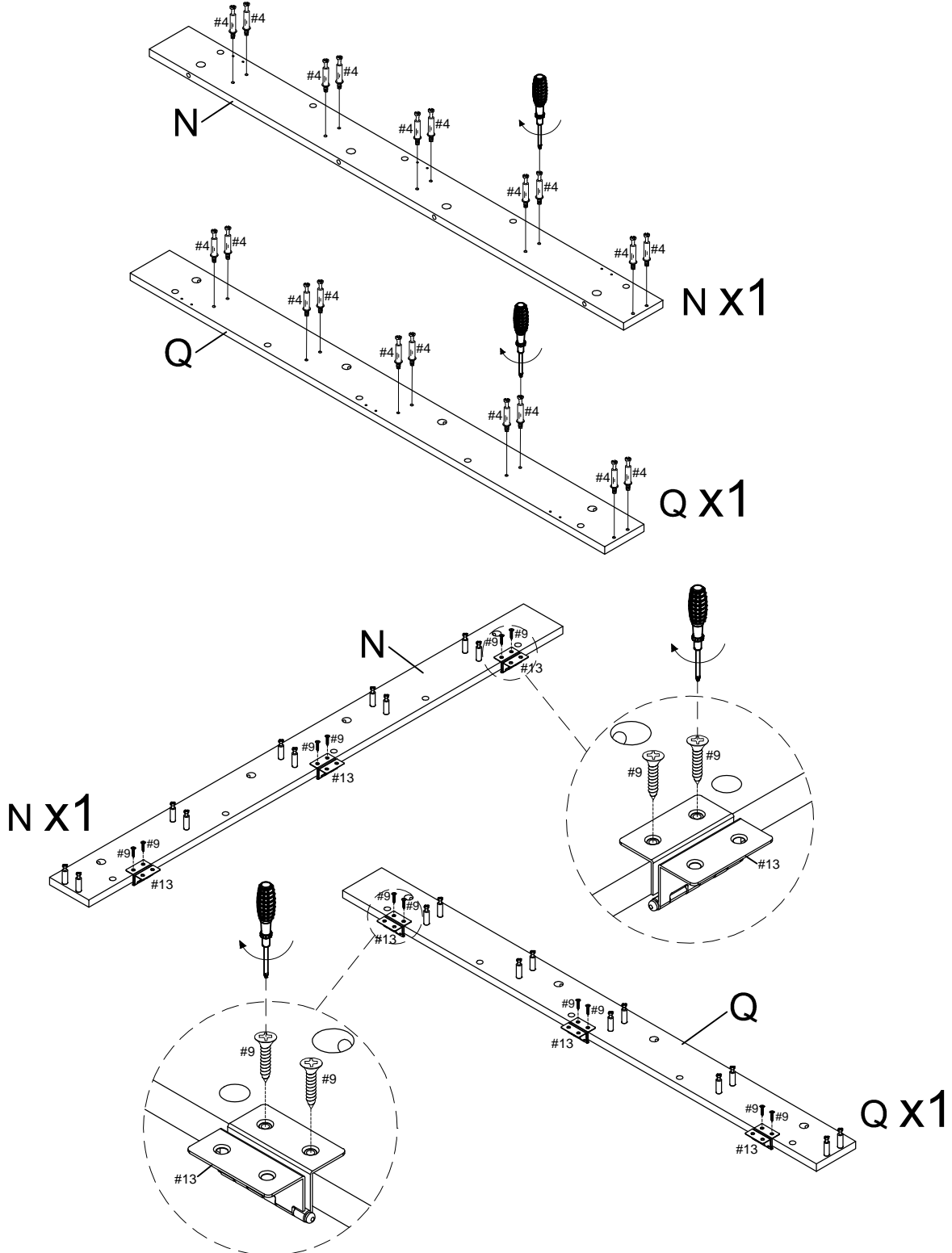
Step 10.



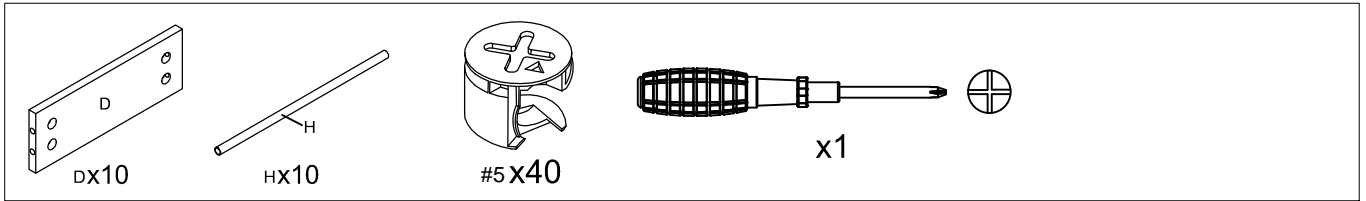
Step 10.

Screw in Cam-bolt (4) into the designated holes as shown.

Fasten Hinge (#13) to left door (part N) and right door (part Q) by using screw (#3).



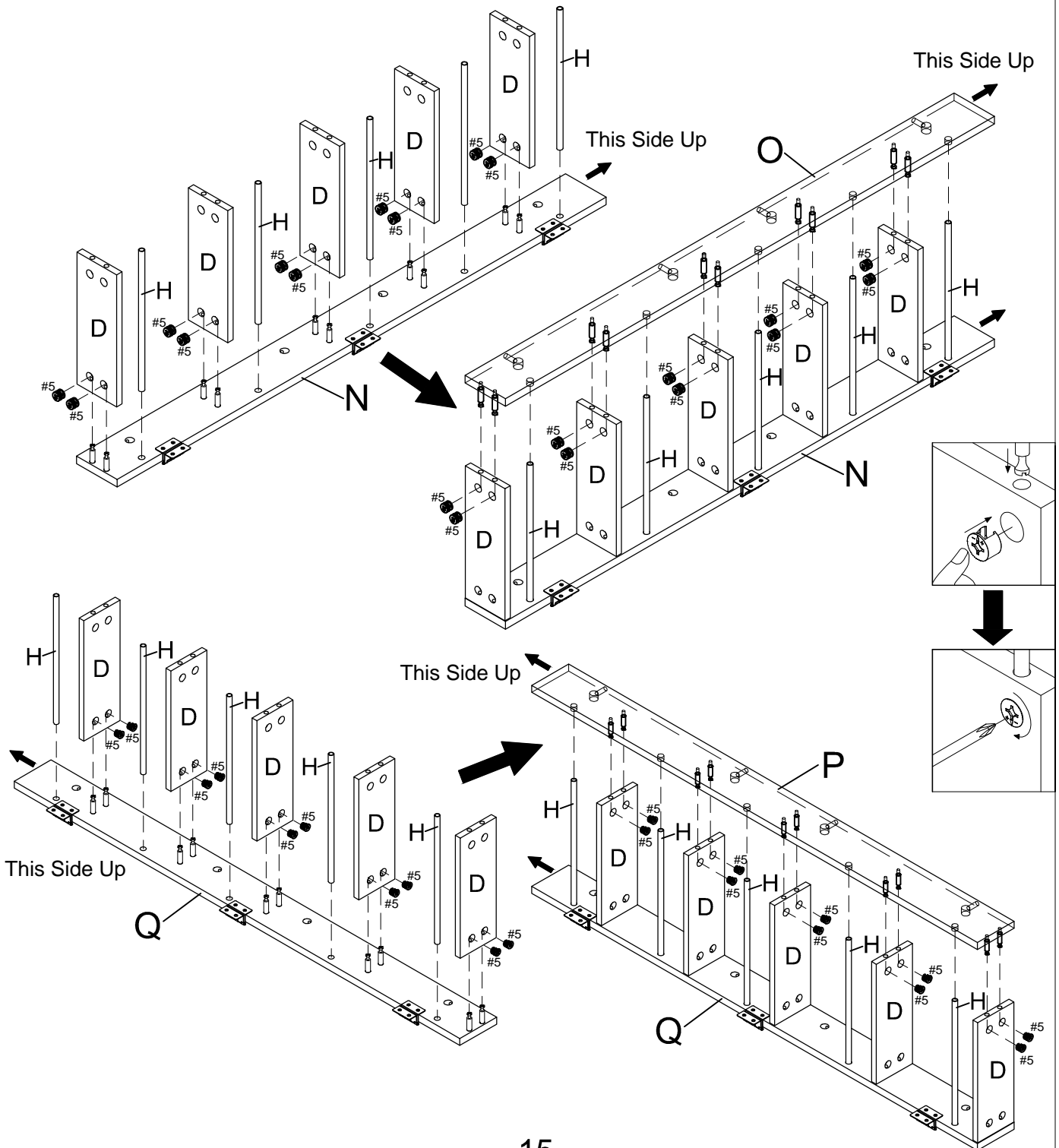
Step 11.



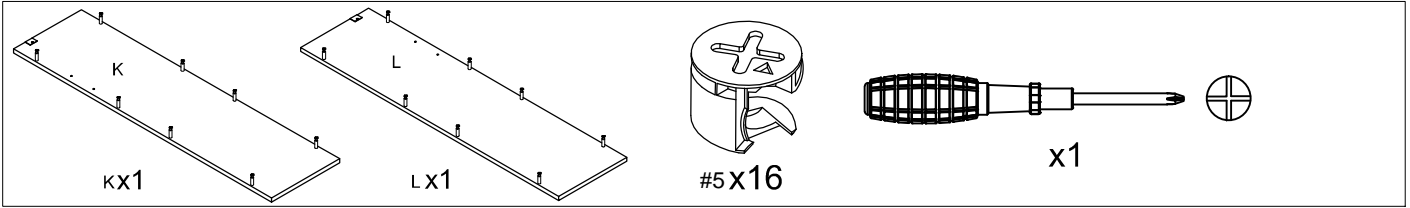
Step 11.

Insert Iron Pipe (part H) into holes on part (N & Q),
Put Front Fixed Shelf Panel (part D) onto panel (part Q) via Cam-bolt (4) .then, insert Cam-lock (5)
and turn clockwise to lock onto cam-bolt.

Next,put panel (part O) onto panel (part D) and tighten with the same way,

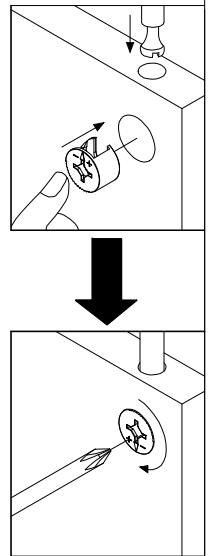
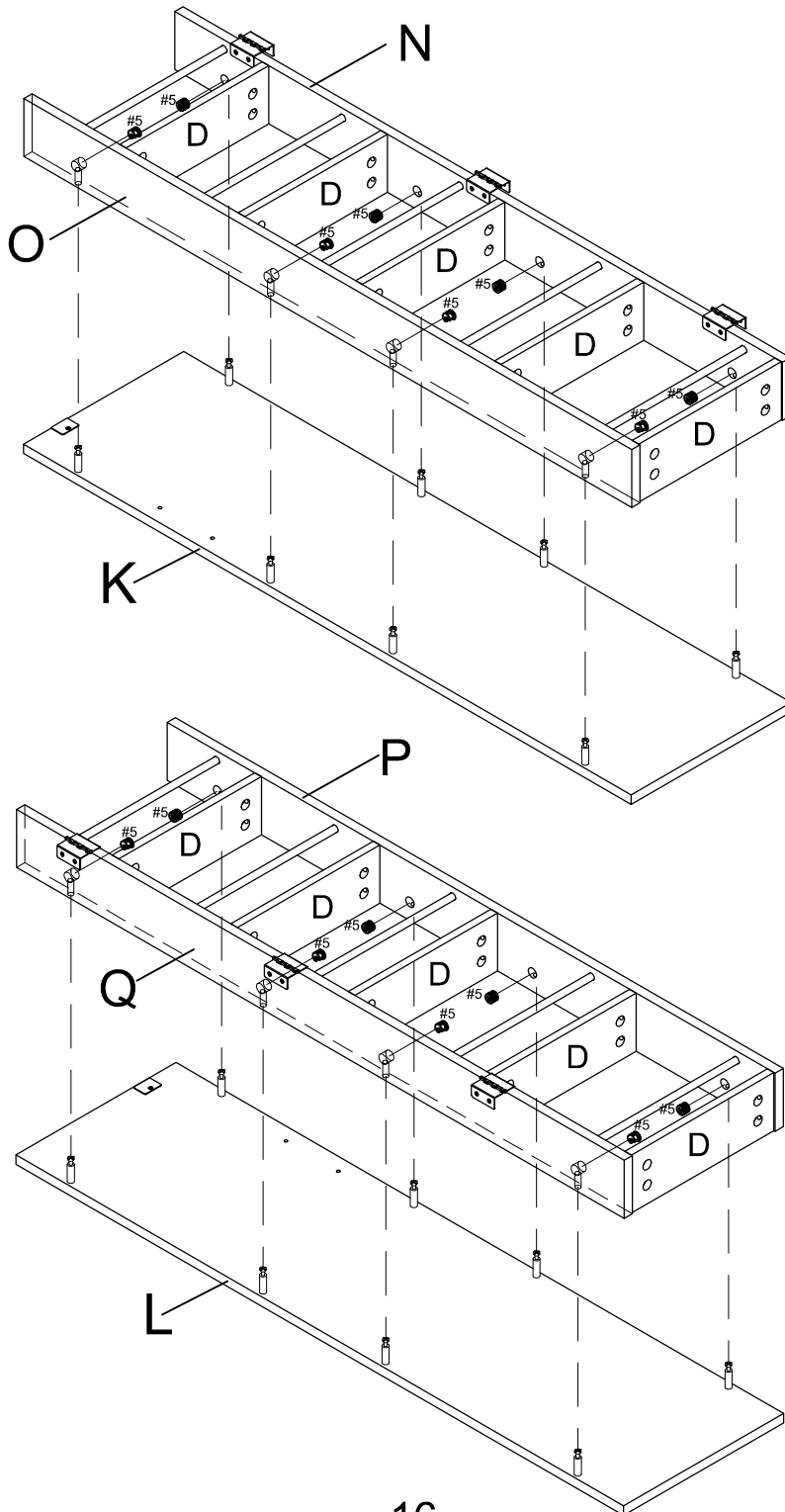


Step 12.

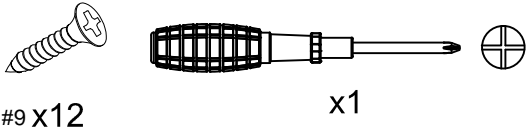


Step 12.

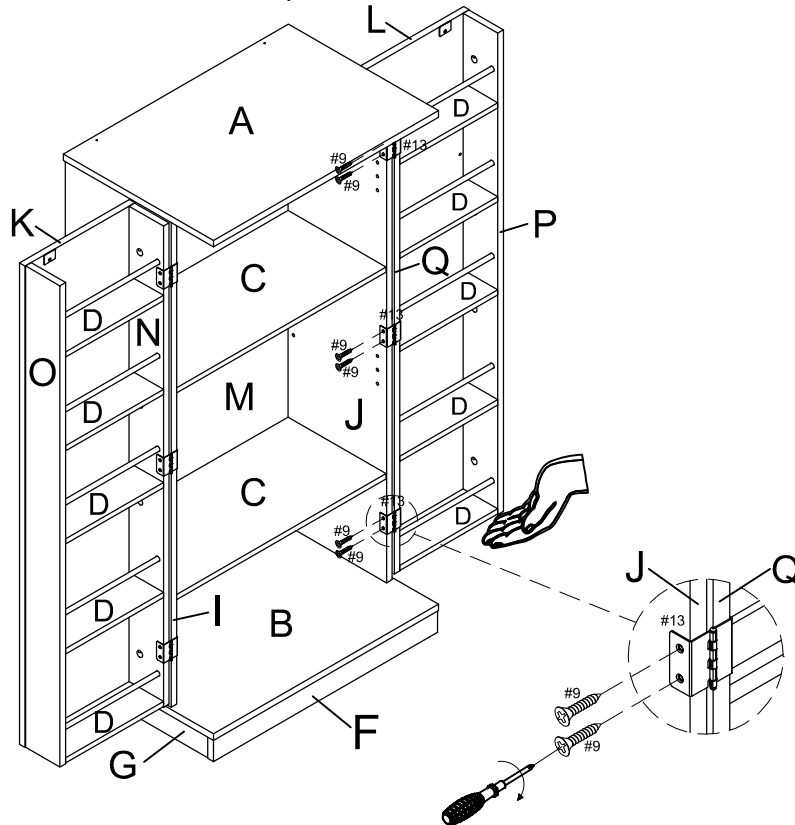
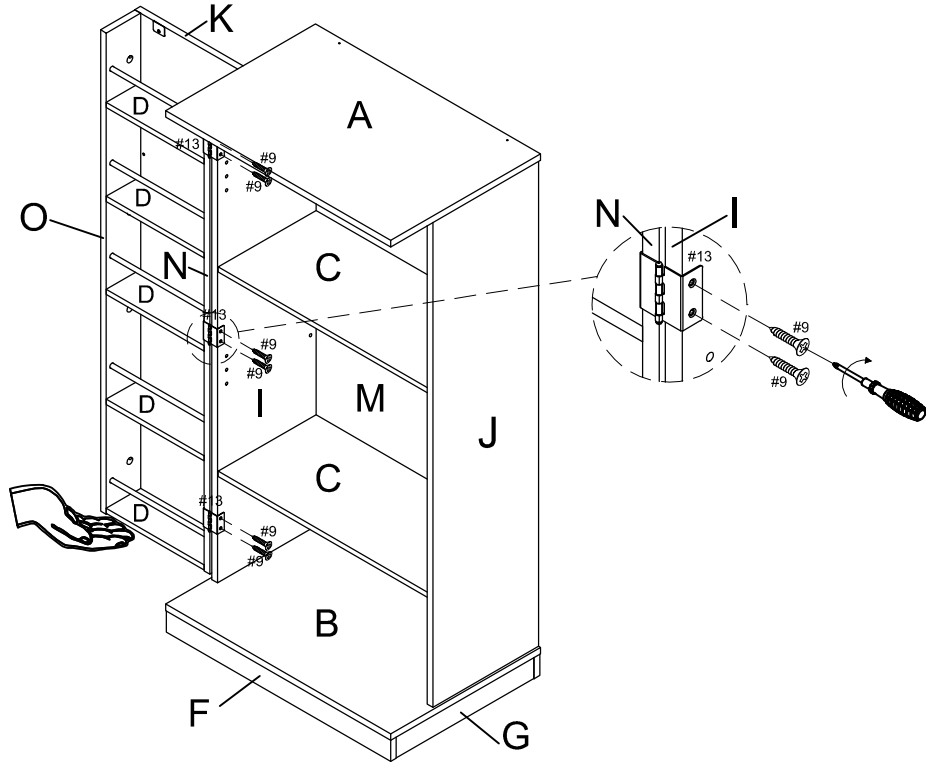
Attach assembled unit (part O,N & D) to panel (part K) and assembled unit (part Q,P & D) to panel (part L), insert Cam-lock (5) and turn clockwise locken.



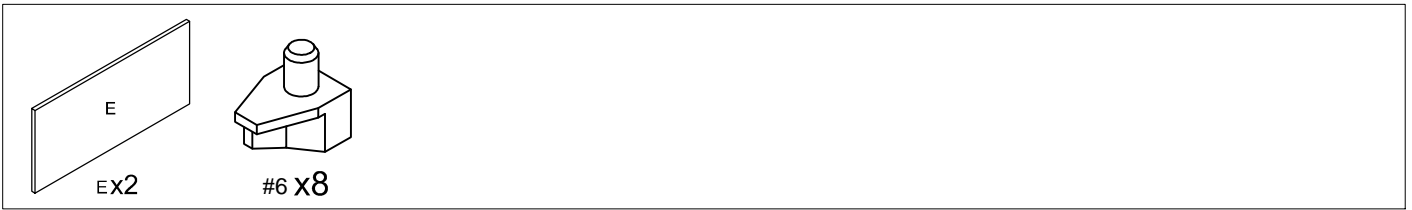
Step 13.



Step 13.
Fasten the hinger(#13) by using Screw(#3).

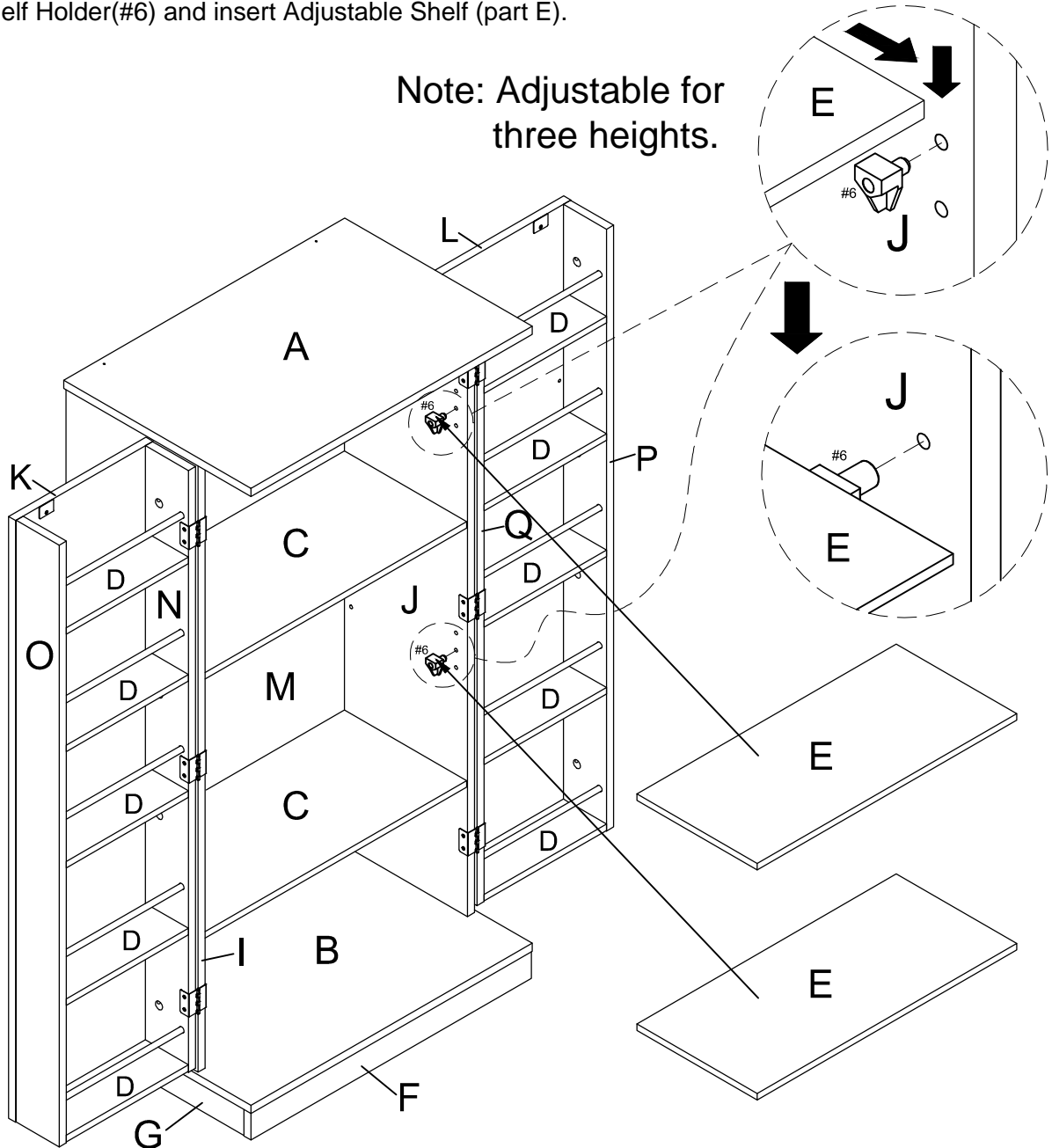


Step 14.



Step 14.
Insert Shelf Holder(#6) and insert Adjustable Shelf (part E).

Note: Adjustable for
three heights.

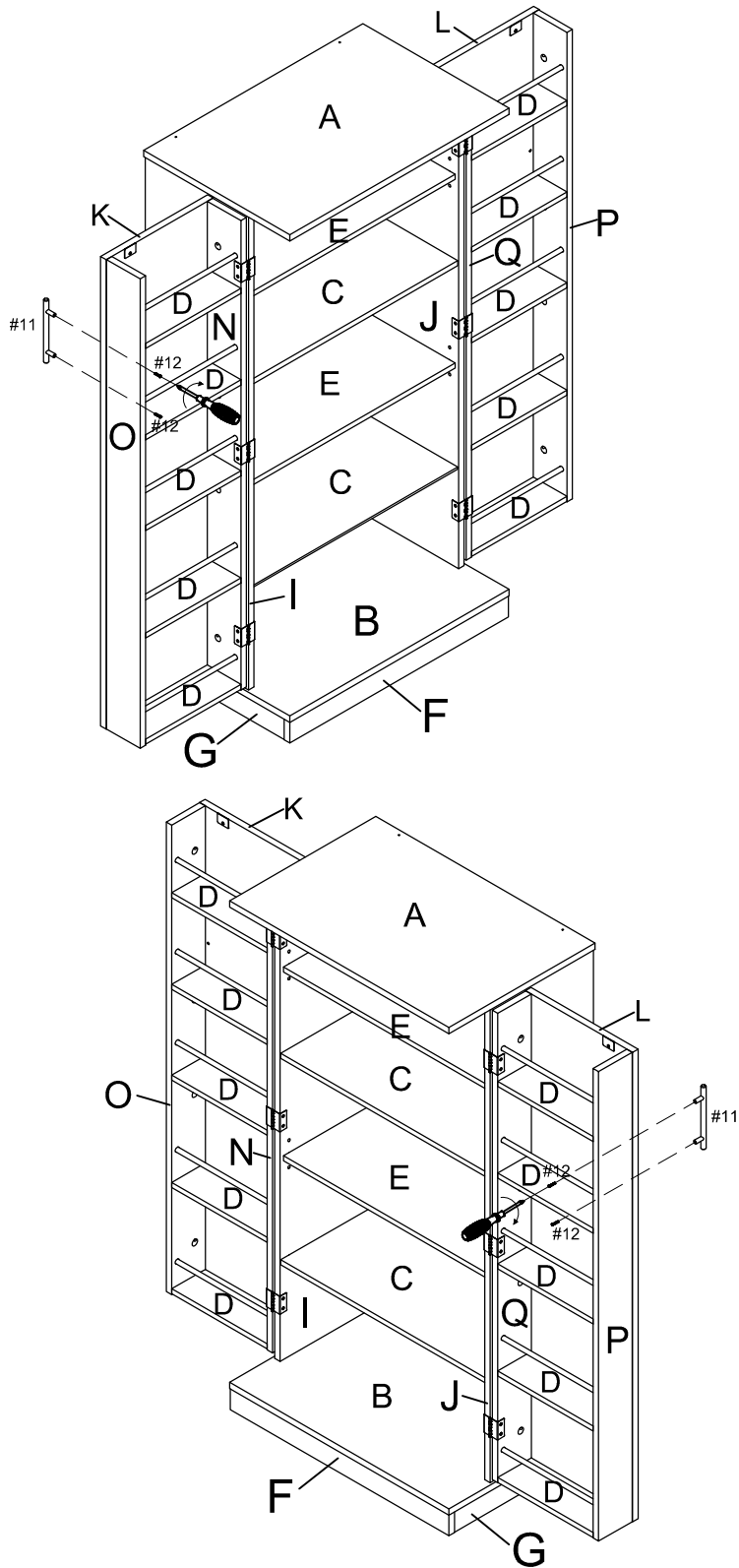


The shelf can be adjusted up and
down with three heights.

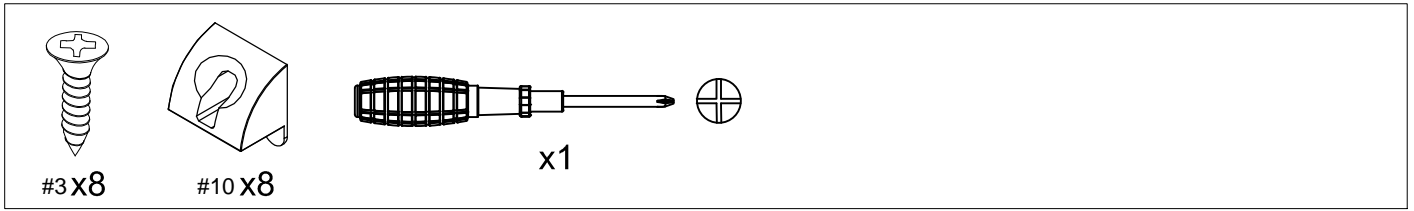
Step 15.



Step 15.
Install Handle (#11) by using Round Head Bolt (#12).

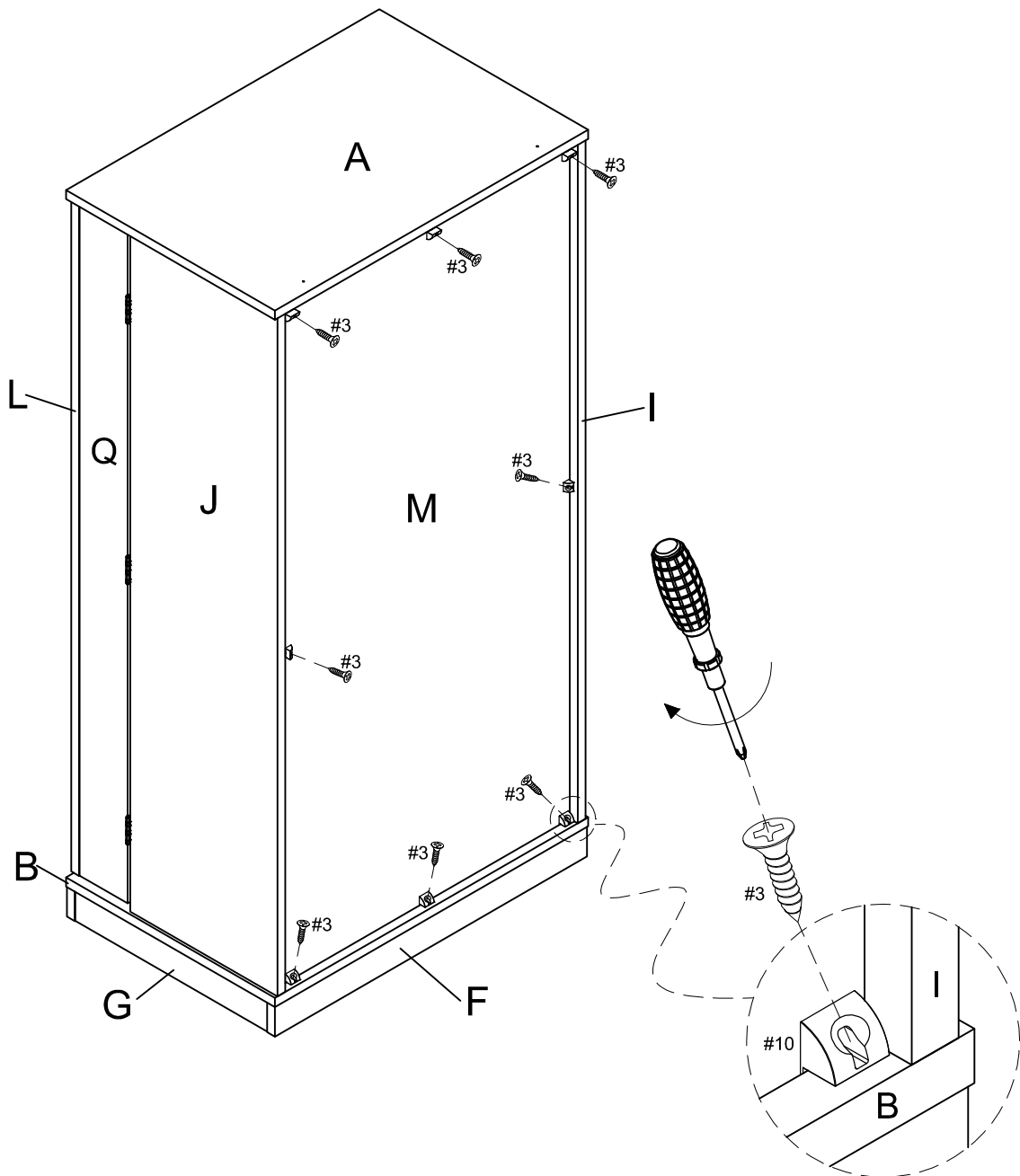


Step 16.

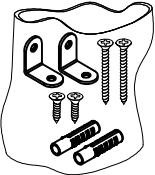
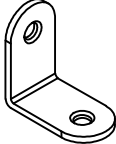
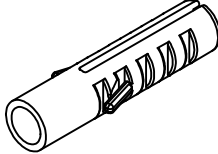




Step 16.

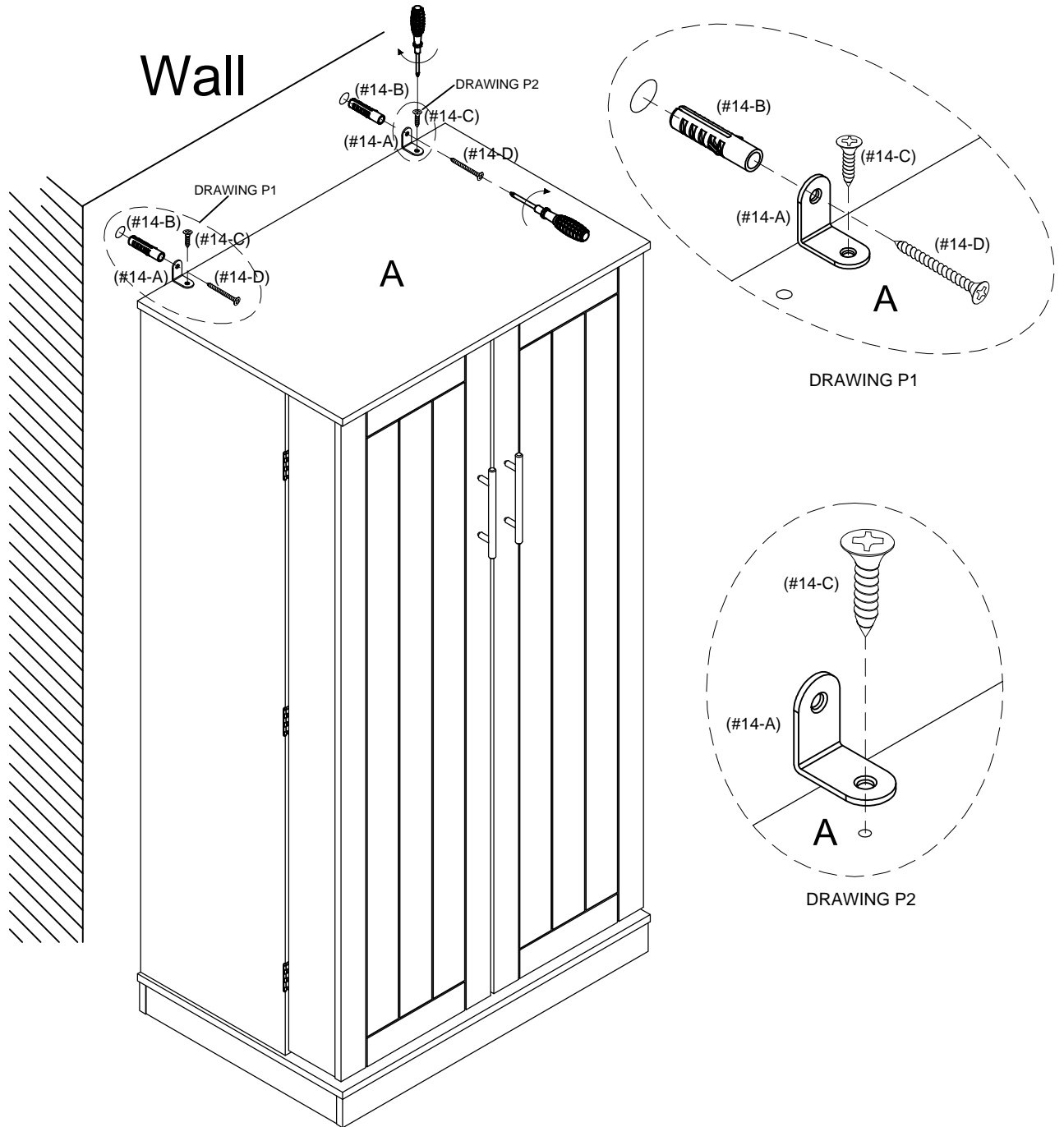
Secure Back Brackets (#10) at the corner of Back Panels (part M) by using screws (#3) and phillips head screwdriver.



Step 17.

#14 	#14-A 	#14-B 	#14-C 	#14-D 
Safety Strap Kit 1 SET	30*30*2mm Angel Iron 2 PCS	Wall Anchor 2 PCS	Ø3.5*15mm Short Screw 2 PCS	Ø4*40mm Long Screw 2 PCS

Safety strap kit (#14) must be installed to prevent tipping, damage and/or injury.



The assembly of the cabinet is complete.

Warning:

Seller is responsible for the product-related issues occurred upon receipt, but will not be responsible for the personal injury, property damage or loss resulting from the incorrect assembly, improper use, inadequate maintenance or neglect of this product.