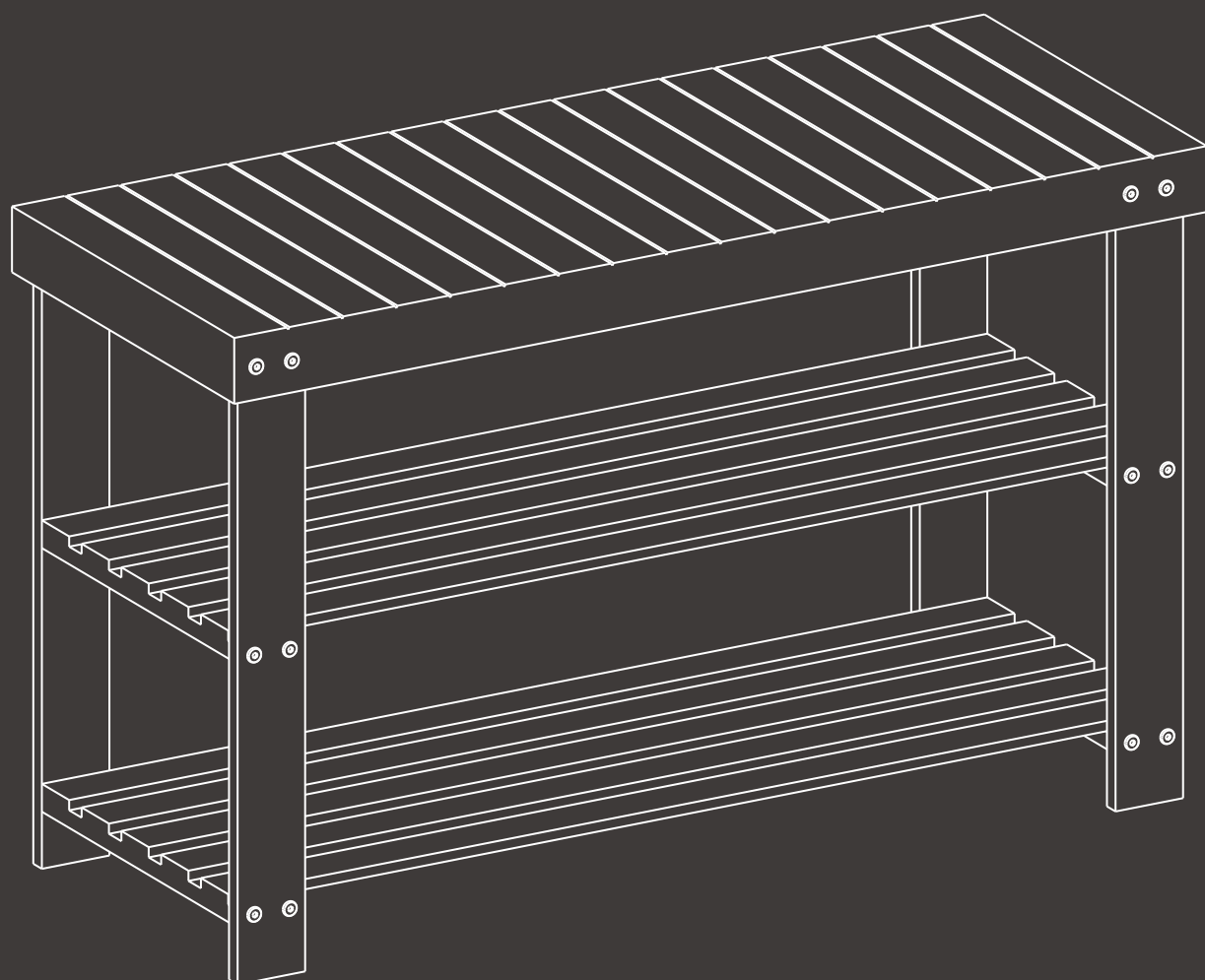


Shoe Rack Bench

Instruction Manual



General Guidelines

- Please read the following instructions carefully and use the product accordingly.
- Please keep this manual and hand it over when you transfer the product.
- This summary may not include every detail of all variations and steps to be considered. Please contact us if further information and help are needed.

Notes

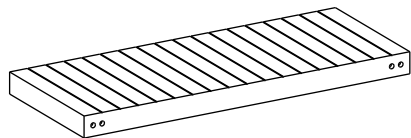
- Before assembly, please make sure all accessories are intact. Please handle it gently to avoid bumps, damage, or paint chipping when unpacking the product.
- Due to the nature of bamboo, splinters and cracks may occasionally occur. Please check the product before assembly and use.
- We recommend wearing gloves to prevent splinters when assembling the product.
- Check regularly if there are any loosening screws or parts.
- Do not place it in a humid place to prevent mildew.
- Please do not wash the product. Avoid long periods of sun exposure. If a stain is found, wipe the product with a wet cloth, and dry it in a ventilated place.

Warnings

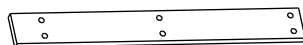
- Keep parts and packaging materials away from children and pets, as there could be injury or potential choking hazards.
- Some products are equipped with anti-dumping strap, please install it for safety. No children are allowed to climb, hang, or play around the product to prevent any damage or injury caused by the product falling.

1 Component List

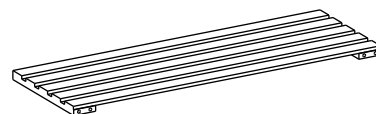
A X1



B X4



C X2



2 Hardware

1 X8



M6*30mm

2 X16

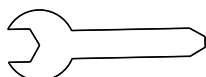


M6*40mm

3 X1



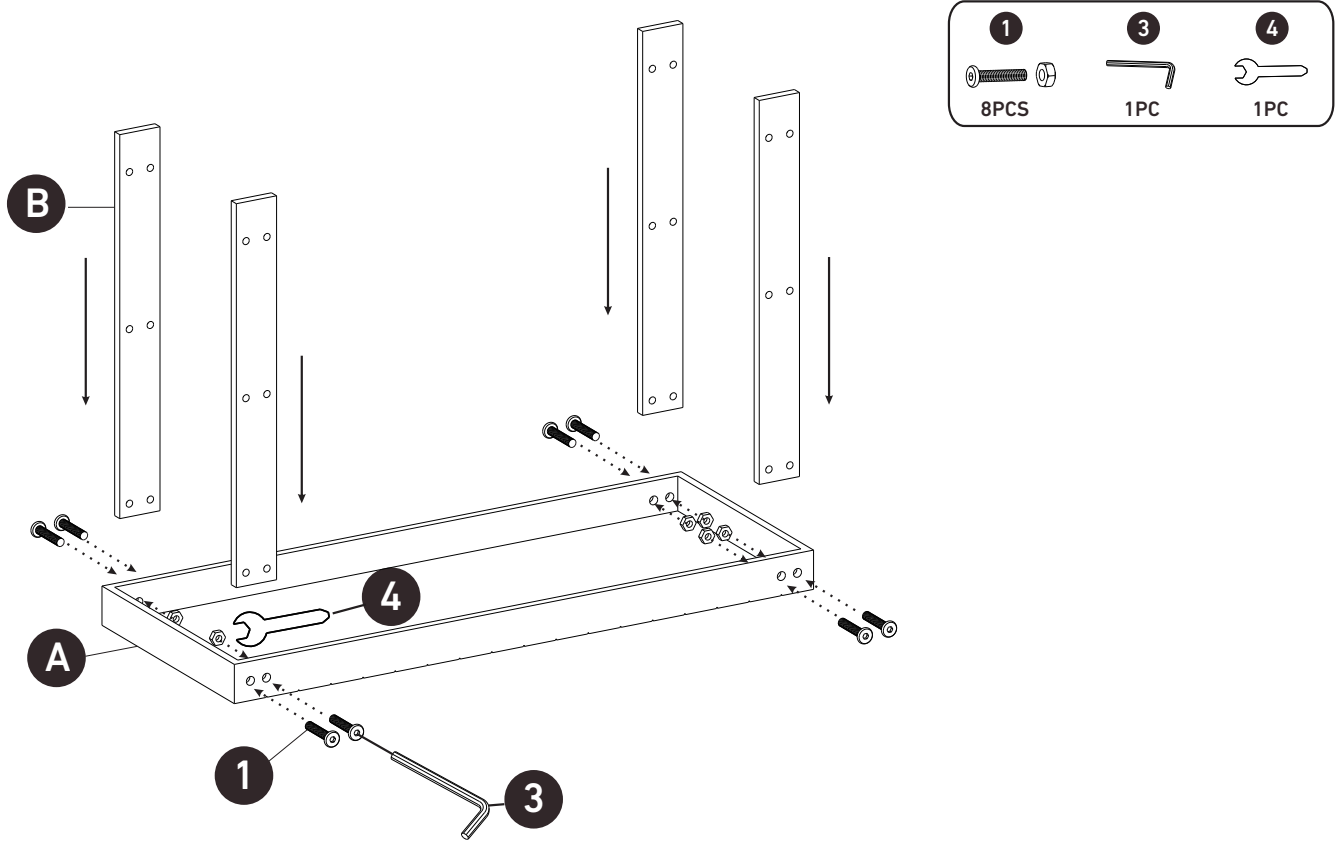
4 X1



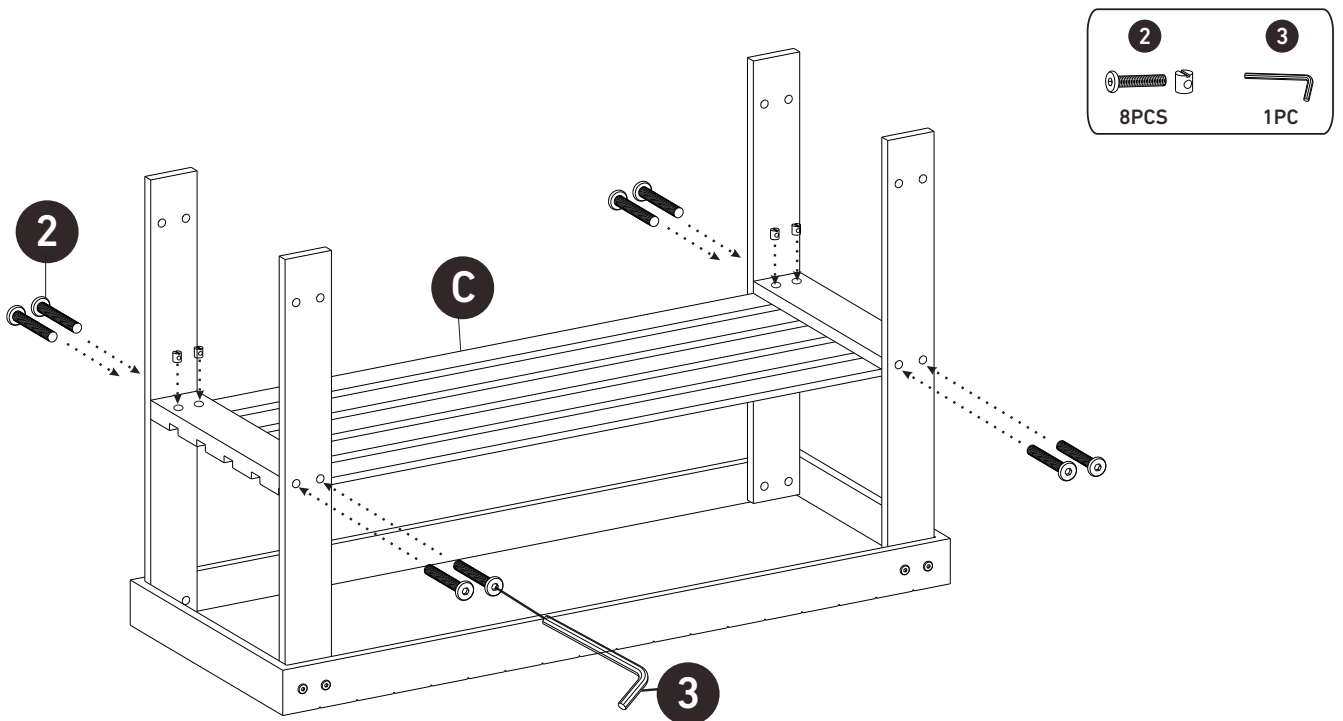
5 X4



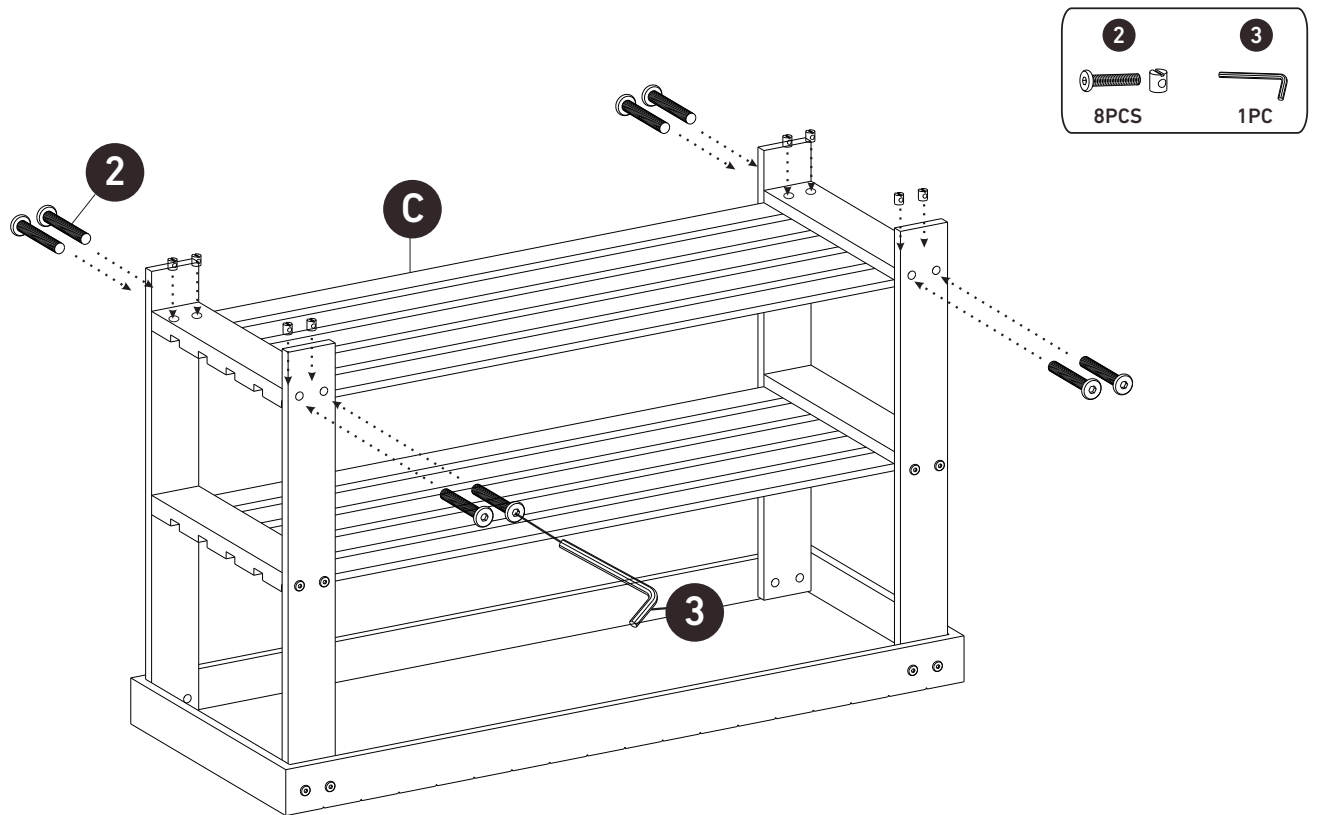
Step 1



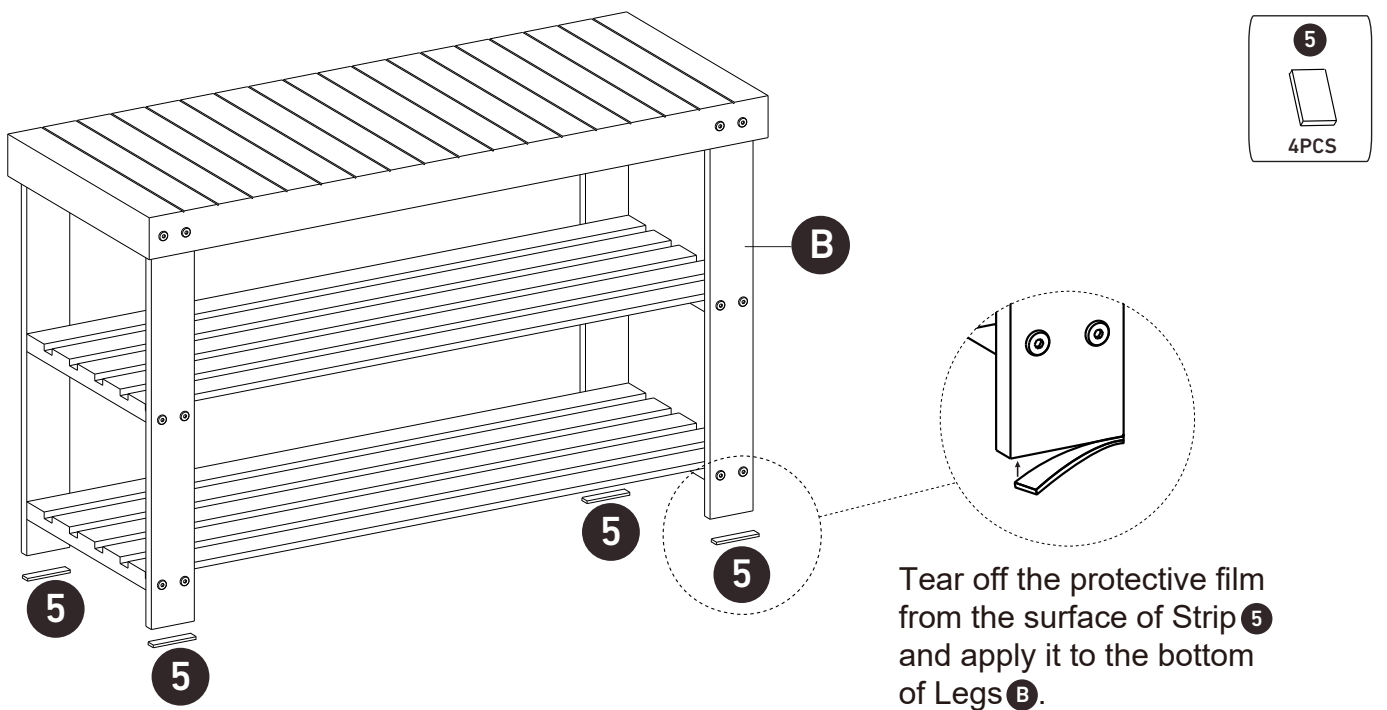
Step 2



Step 3



Step 4



NOTE: You may choose whether to attach Strip 5.

