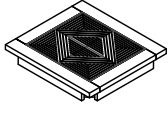
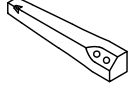
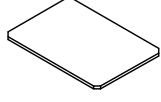


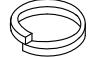


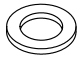



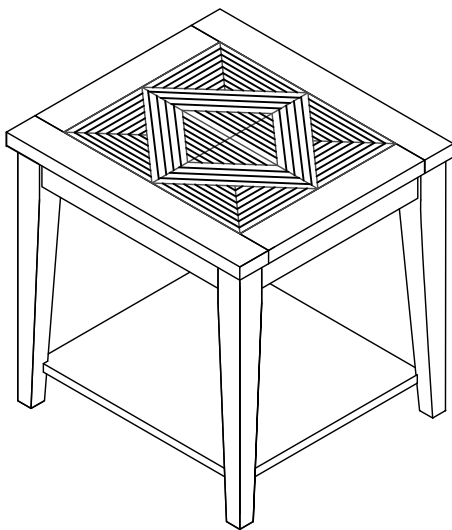


ASSEMBLY INSTRUCTION

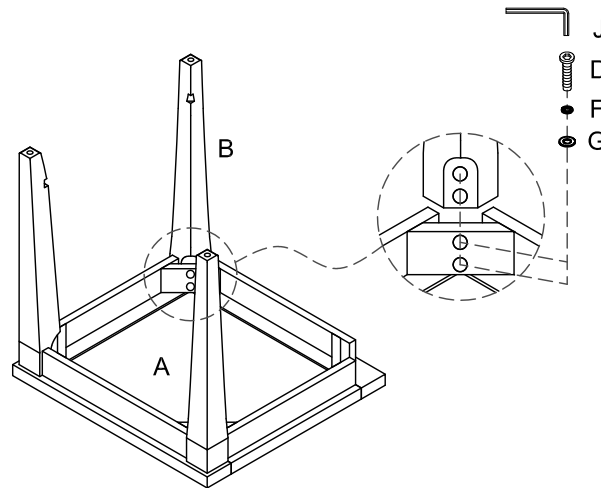
END TABLE

A Top Panel  1PC	B Leg  4PCS	C Bottom Panel  1PC	D Long Bolt 5/16*1-3/4"  8PCS
E Short Bolt 1/4*5/8"  8PCS	F Lock Washer 5/16"  8PCS	G Flat Washer 5/16"X19mm  8PCS	H Lock Washer 1/4"  8PCS
I Flat Washer 1/4"X16mm  8PCS	J L-Allen Key 5mm  1PC	K S-Allen Key 4mm  1PC	L Bracket 32*22*18*2mm  4PCS

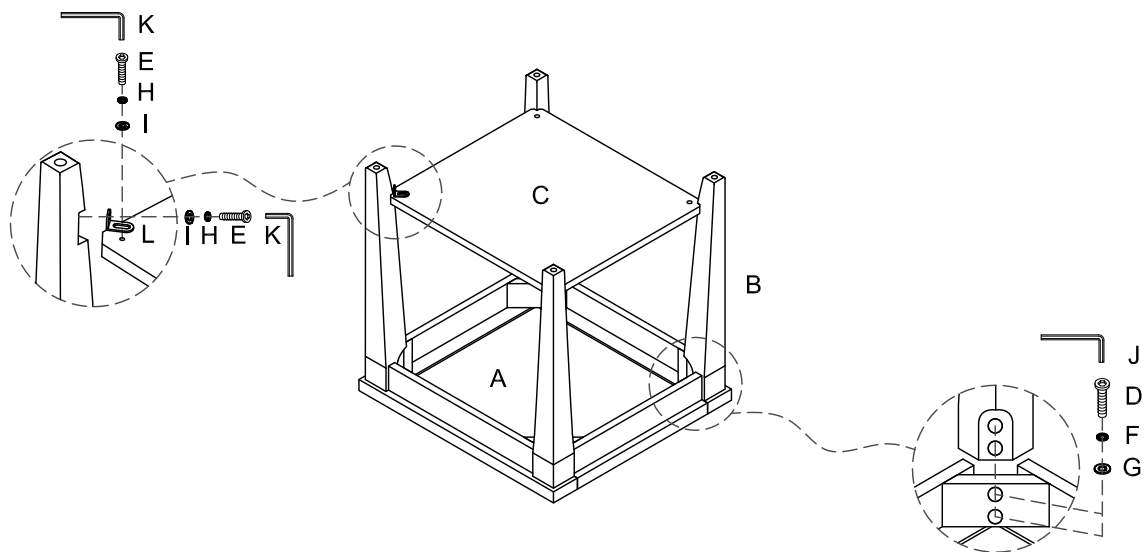


This page lists all the contents included in the box. Please take the time to identify the hardware as well as the individual components to this product. AS you unpack and prepare for assembly, place the contents on a carpeted or padded area to protect them from damage.

-
- 1** Attach 3pcs Leg (B) to the Top Panel (A) by using Flat Washer (G), Lock Washer (F) and Long Bolt (D) with L-Allen Key (J).



-
- 2** Attach Bottom Panel (C) to the Leg (B) by using Flat Washer (I), Lock Washer (H), Short Bolt (E) and Bracket (L) with S-Allen Key (K), and then attach another Leg (B) to the Top Panel (A) and Bottom Panel (C) as below showing.



Cleaning & Care

Treat surface with care. Surface is resistant to scratches but is not scratch resistant. Clean surfaces with a dry or damp soft cloth. Do not use abrasive cleaners. Hardware may loosen over time. Periodically check that all connections are tight.